

Panasonic®

Operating Instructions Memory Card Camera-Recorder

Model No. AG-**HVX200**P

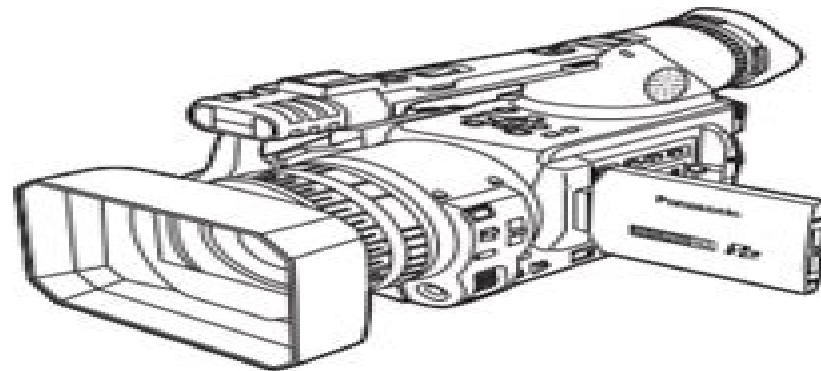


DVCPRO HD

DVCPRO 50

DVCPRO

DV



**LEICA
DICOMAR**



Before operating this product, please read the instructions carefully and save this manual for future use.

Before use

Description
of parts

Preparation

Shooting

Playback

Editing

Displays

Menu

Reference

Panasonic Hvx200a Manual

**Steven M. Barsky,Lance
Milbrand,Mark Thurlow**



Panasonic Hvx200a Manual

The Visual Effects Arsenal Bill Byrne,2012-11-12 Build your VFX arsenal with quick access step by step instruction on how to create today s hottest digital VFX shots This essential toolkit provides techniques for creating effects seen in movies such as 300 Spiderman 3 Predator and others with lessons on how to splatter blood or digitally lop someone s arm off create a scene with actors running from an explosion create the twin effect same actor same location 2 performances produce space ship dog fights Organized in a cookbook style this allows you to reference a certain effect in the index and immediately access concise instructions to create that effect Techniques are demonstrated in each of the most popular software tools After Effects Final Cut Studio Shake Photoshop and Combustion are all covered Brilliant 4 color presentation provides inspiration and stimulating visual guidance to the lessons presented while the companion DVD contains project media files enabling you to put concepts learned into immediate practice [Podcasting Bible](#) Mitch Ratcliffe,Steve Mack,2007-02-12 How to guide for producing distributing and marketing revenue generating podcasts **Underwater Digital Video Made Easy** Steven M. Barsky,Lance Milbrand,Mark Thurlow,2005 [Learn to Produce Videos with FFmpeg](#) Jan Lee Ozer,2017-06 Walks readers through creating single and adaptive bitrate videos in FFmpeg and Apple s HTTP Live Streaming Tools *A Guide to the Seaweed Industry* Dennis J. McHugh,2003 This document highlights the rising importance of seaweed farming and shows how an essential Asian food has become popular in North and South America as well as in Europe The report will be useful to those who wish to know more about the seaweed industry about the markets for commercial seaweeds and about the various sources and methods of production It is written with a minimum of technical language and is designed to assist in making decisions concerning seaweeds and the seaweed industry includes over 60 colour figures

sherlock official 2017 square calendar amazon ca - Jan 24 2023

web hello sign in account lists returns orders cart

sherlock official 2017 calendar square 305x305mm wall calendar 2017 - Oct 01 2023

web buy sherlock official 2017 calendar square 305x305mm wall calendar 2017 by danilo isbn 9781785491122 from amazon s book store everyday low prices and free delivery on eligible orders sherlock official 2017 calendar square 305x305mm wall calendar 2017 danilo amazon co uk books

sherlock official 2017 calendar square 305x305mm wall - May 28 2023

web abebooks com sherlock official 2017 calendar square 305x305mm wall calendar 2017 9781785491122 by danilo and a great selection of similar new used and collectible books available now at great prices

sherlock official 2017 square calendar amazon com br - Aug 19 2022

web compre online sherlock official 2017 square calendar de na amazon frete grÁtis em milhares de produtos com o amazon prime encontre diversos livros escritos por com ótimos preços

sherlock official 2017 square calendar abebooks - Oct 21 2022

web size h305 x w305mm format square 12 month wall calendar Über diesen titel kann sich auf eine andere ausgabe dieses titels beziehen verlag danilo promotions limited

sherlock official 2017 square calendar amazon com au - Apr 26 2023

web sherlock official 2017 square calendar on amazon com au free shipping on eligible orders sherlock official 2017 square calendar

sherlock official 2017 square calendar pinterest - Jun 16 2022

web 20 jun 2020 buy sherlock official 2017 square calendar everything else amazon com free delivery possible on eligible purchases

amazon co jp sherlock official 2017 square calendar □□□□ - Feb 22 2023

web oct 1 2016 amazon co jp sherlock official 2017 square calendar office products skip to main content co jp delivering to 153 0064 update location english books select the department you want to search in search amazon co jp en hello sign in account

sherlock official 2017 square calendar imgur - Aug 31 2023

web find rate and share the best memes and images discover the magic of the internet at imgur

official sherlock 2016 square wall calendar benedict - Mar 14 2022

web buy official sherlock 2016 square wall calendar benedict cumberbatch by danilo isbn 9781780548609 from amazon s book store everyday low prices and free delivery on eligible orders official sherlock 2016 square wall calendar benedict cumberbatch amazon co uk danilo 9781780548609 books

buy sherlock official 2017 square calendar book online at low - Dec 23 2022

web amazon in buy sherlock official 2017 square calendar book online at best prices in india on amazon in read sherlock official 2017 square calendar book reviews author details and more at amazon in free delivery on qualified orders

sherlock official 2017 square calendar danilo amazon fr - Nov 21 2022

web noté 5 retrouvez sherlock official 2017 square calendar et des millions de livres en stock sur amazon fr achetez neuf ou d occasion

sherlock official 2018 calendar square wall format - Apr 14 2022

web sherlock official 2018 calendar square wall format calendar book read reviews from world s largest community for readers

[official sherlock 2016 square calendar calendar amazon com](#) - Feb 10 2022

web official sherlock 2016 square calendar on amazon com free shipping on qualifying offers official sherlock 2016 square calendar

[amazon sherlock official 2017 square calendar](#) - Sep 19 2022

web oct 1 2016 amazon sherlock official 2017 square calendar amazon

[sherlock official 2017 square calendar calendario amazon es](#) - Jul 18 2022

web sherlock official 2017 square calendar danilo amazon es libros saltar al contenido principal es hola elige tu dirección todos los departamentos selecciona el departamento que quieras buscar buscar es hola identificate cuenta y listas

sherlock holmes calendar 2017 strand magazine - May 16 2022

web home sherlock s shop 221b baker street collection sherlock holmes calendar 2017 sale

sherlock official 2017 square calendar amazon sg books - Mar 26 2023

web hello sign in account lists returns orders cart

sherlock official 2017 square calendar 9781785491122 calendar - Jul 30 2023

web find many great new used options and get the best deals for sherlock official 2017 square calendar 9781785491122 calendar 2016 at the best online prices at ebay free shipping for many products sherlock official 2017 square calendar 9781785491122 calendar 2016 for sale online ebay

[amazon com](#) - Jun 28 2023

web apr 5 2016 select the department you want to search in

[konsep dasar perencanaan struktur bangunan 3 lantai pdf](#) - May 11 2023

membangun sebuah bangunan 3 lantai membutuhkan perencanaan dan perhitungan yang matang dalam proses pembangunan perlu memperhatikan faktor keamanan dan kestabilan bangunan agar dapat bertahan see more

[perencanaan pembangunan toko 3 lantai jalan](#) - Jul 13 2023

struktur bangunan 3 lantai merupakan fondasi dan kerangka dari seluruh bangunan hal ini sangat penting untuk memastikan keselamatan dan keamanan bagi penghuni serta ketahanan bangunan dalam jangka waktu see more

[perencanaan struktur beton bertulang](#) - Nov 05 2022

web feb 23 2018 mengingat fungsi ruko adalah sebagai tempat usaha ekonomis untuk pelaku usaha kelas menengah pemilik lahan perlu mempertimbangkan desain ruko yang

[rab nedi ruko 3 lantai pdf scribd](#) - Jan 07 2023

web analisa struktur bangunan diidealisasikan dengan analisa 3 dimensi dengan elemen struktur balok dan kolom beton

analisa struktur direncanakan terhadap beban vertikal

evaluasi kelayakan bangunan ruko 3 lantai serta - Oct 24 2021

web bangunan adalah tempat kita melakukan berbagai macam aktifitas di kehidupan sehari hari dalam merencanakan bangunan pihak perencana diwajibkan untuk merancang

perencanaan pembangunan gedung kuliah dan - Jan 27 2022

web perencanaan struktur atas meliputi atap baja plat lantai tangga balok kolom sedangkan untuk struktur bawah meliputi pondasi tiebeam pilecap

struktur bangunan rumah 3 lantai 3 dimensi youtube - May 31 2022

web dari hasil perencanaan anggaran biaya yang ada maka untuk ruko 3 lantai untuk ahsp dpu kota balikpapan tahun 2018 adalah sebesar rp 2 915 931 000 00 menghasilkan

perencanaan struktur plat beton bertulang - Mar 29 2022

web desain ruko 3 lantai minimalis modern dibawah sedikit lebih rumit dalam pelaksanaan pembangunan serta segi perawatan yang harus lebih baik menjadi pilihan dan tidak

perhitungan struktur bangunan 3 lantai documents and e books - Sep 22 2021

web gedung ruko 3 lantai di jl prof m yamin sh kel pasar usang kec padang panjang barat kota padang panjang yang direncanakan berlantai tiga merupakan salah satu

desain ruko 3 lantai minimalis modern denah dan tampak - Apr 29 2022

web struktur bangunan rumah 3 lantai ini merupakan tampilan animasi struktur bangunan rumah 3 lantai yang dibuat menggunakan software 3 dimensi ini bukan tampila

gambar konstruksi rumah kos 3 lantai blog nobel - Dec 26 2021

web perencanaan pembangunan gedung kuliah dan laboratorium 3 lantai jurusan bahasa dan sastra inggris dan jurusan bahasa indonesia

rencana anggaran biaya rab dan penjadwalan - Aug 02 2022

web feb 9 2021 pembangunan struktur betan 3 lantai ke atas harus melibatkan tenaga teknik sipil mengingat beban bangunan yang sudah sangat berat demi keselamatan bangunan

xls ruko 2 dan 3 lantai contoh rab pon ahad - Jul 01 2022

web jan 26 2016 perhitungan analisa struktur ruko 3 lantai berikut ini merupakan hasil analisa struktur ruko 3 lantai dengan menggunakan software etabs perhitungan

perhitungan analisa struktur ruko 3 lantai - Sep 03 2022

web perencanaan konstruksi bangunan ruko 3 lantai jurnal harga satuan bahan bangunan konstruksi dan interior edisi 39

2020 oct 16 2021 buku informasi harga

rencana struktur dan interior bangunan 3 lantai - Oct 04 2022

web pekerjaan pondasi direlasi keet gudang los kerja 1 00 uitzet pasang bouwplank 16 00 mobilisasi demobilisasi galian tanah 128 78 urugan tanah kembali 104 54 pasir urug

cara menghitung biaya pembangunan dan desain ruko homify - Feb 08 2023

web hari ini saya akan membagikan file gambar autocad gambar kerja ruko 3 lantai dengan format dwg dimana kamu bisa buka file desain ruko 2 lantai ini dengan autocad 2007

perkuatan struktur pada bangunan rumah tinggal 3 lantai neliti - Nov 24 2021

web jul 1 2021 gambar konstruksi rumah kos 3 lantai terdiri dari 34 lembar secara berurutan mulai dari cover daftar isi standar detail struktur bawah dan struktur atas ukuran denah

perhitungan struktur bangunan 3 lantai pdf scribd - Apr 10 2023

pemilihan material yang tepat pada konstruksi bangunan 3 lantai sangat penting untuk memastikan keamanan dan kekokohan bangunan berikut adalah beberapa material see more

perhitungan struktur rehab gedung ruko 3 lantai jadi - Feb 25 2022

web menguraikan dasar dasar perhitungan pelat atap pelat lantai 3 pelat lantai 2 bab iv analisa struktur menguraikan perhitungan pelat atap pelat lantai 3 dan pelat

perencanaan konstruksi bangunan ruko 3 lantai - Dec 06 2022

web laporan perhitungan konstruksi pembangunan rumah toko 3 lantai jl yos sudarso tarakan tengah kota tarakan kalimantan utara tarakan januari

pdf struktur 3 lantai nuryono putranto - Mar 09 2023

web 5111312033 perencanaan pembangunan toko 3 lantai jalan prof hamka semarang apriliawan gandhy wicaksana1 1 mahasiswa jurusan teknik sipil

gambar kerja ruko 3 lantai minimalis dwg autocad - Jun 12 2023

pondasi adalah elemen yang sangat penting dalam struktur bangunan pondasi berfungsi sebagai penyangga dan penyeimbang beban see more

konstruksi bangunan 3 lantai panduan lengkap - Aug 14 2023

desain bangunan 3 lantai merupakan salah satu aspek terpenting dalam konstruksi bangunan 3 lantai desain yang tepat akan memastikan bangunan anda fungsional efisien dan estetis berikut adalah beberapa hal yang perlu dipertimbangkan dalam merancang desain bangunan 3 lantai 1 see more

violence and video games wikipedia - Apr 11 2023

web in 2018 a meta analysis of the relationship between violent video game play and physical aggression over time found that violent video game play is positively associated with aggressive behavior aggressive cognition and aggressive affect as well as negatively associated with empathy for victims of violence and with prosocial behavior

pushing buttons why linking real world violence to video games - Jul 02 2022

web may 24 2022 after the el paso shooting in 2019 walmart removed violent video game displays from its stores but continued to sell actual guns fox news the tv network that platforms tucker carlson and

do violent video games lead to violence dana foundation - Mar 10 2023

web nov 1 2019 there was insufficient research on whether violent video games cause lethal violence studies have also shown that video game use is associated with a decrease in empathy and other socially desirable behavior a component of the association the apa s division for media psychology and technology was much more dismissive of any causal

violent video game an overview sciencedirect topics - Feb 09 2023

web patrick m markey erika feeney in encyclopedia of mental health third edition 2023 desensitization there is a common misconception that playing violent video games causes children and adults to become detached and emotionless in response to acts of violence

do video games cause violence 9 pros and cons - Jun 13 2023

web jun 8 2021 violent video games provide opportunities for children to explore consequences of violent actions develop their moral compasses and release their stress and anger catharsis in the game leading to less real world aggression violent games allow youth to experiment with moral issues such as war violence and death without

pro and con violent video games britannica - Aug 15 2023

web jun 8 2021 violent video games reinforce fighting as a means of dealing with conflict by rewarding the use of violent action with increased life force more weapons moving on to higher levels and more the us military uses violent video games to train soldiers to kill con studies have shown violent video games may cause aggression not violence

10 most violent games ranked dualshockers - Mar 30 2022

web jul 20 2023 here s a list of some of the most violent video games on the market 10 splatterhouse it s hard to make an incredibly violent game with primitive graphics but somehow the original splatterhouse

violent video games and real violence there s a link but it s not so - Feb 26 2022

web jul 26 2016 violent video games and real violence there s a link but it s not so simple one can t accurately predict a rampage shooting based on exposure to violent video games or any other single factor

apa reaffirms position on violent video games and violent behavior - Oct 05 2022

web mar 3 2020 apa s governing council of representatives seated a task force to review its august 2015 resolution in light

of many occasions in which members of the media or policymakers have cited that resolution as evidence that violent video games are the cause of violent behavior including mass shootings

the most violent video games of all time pcmag - Jul 14 2023

web jul 12 2013 1 bulletstorm 2011 there are many violent video games but very few relish the carnage like epic games and people can fly s appropriately named bulletstorm this pc ps3 and xbox 360 title

defining and understanding violent video games rwjf - Jan 28 2022

web the california law defines violent video game in 150 words as in part as a video game in which the range of options available to a player includes killing maiming dismembering or sexually assaulting an image of a human being

the most violent video game series ever cbr - Dec 27 2021

web sep 13 2023 despite pushback from parents and politicians over the years video games are even more violent today than ever in the path forged by space invaders and grand theft auto some games have pushed the envelope of violence to

does playing violent video games cause aggression a - Sep 04 2022

web mar 13 2018 one research camp has strongly argued that violent video games increase aggression in its players 1 2 whereas the other camp 3 4 repeatedly concluded that the effects are minimal at best

violent video games and aggression the connection is - Jun 01 2022

web sep 29 2020 reference ferguson c j coperhaver a marley p 2020 reexamining the findings of the american psychological association s 2015 task force on violent media a meta analysis perspectives on psychological science advance online publication doi org 10 1177 1745691620927666

do violent video games trigger aggression scientific american - Aug 03 2022

web oct 2 2018 the meta analysis does tie violent video games to a small increase in physical aggression among adolescents and preteens yet debate is by no means over

violent video games and aggression springerlink - Jan 08 2023

web nov 23 2022 violent video games and aggression a discussion based on the main theoretical frameworks h andaç demirtaş madran living reference work entry first online 23 november 2022 91 accesses abstract whether or not exposure to violent media is a risk factor for aggressive behavior has been the subject of numerous studies over many years

violent steam - Nov 06 2022

web default sale page template for content hubs

do video games make people violent bbc news - May 12 2023

web aug 17 2015 getty images by zoe kleinman technology reporter bbc news more than 200 academics have signed an open letter criticising controversial new research suggesting a link between violent video games

violent video games and aggression in kids verywell family - Apr 30 2022

web may 29 2020 do violent video games lead to aggressive behavior how practicing aggression with video games teaches real life aggressiveness whether it s a musical instrument a dance routine or taekwondo moves kids practice activities over and over so they can perform them better and better

violent video games and young people harvard health - Dec 07 2022

web oct 1 2010 the aap policy describes violent video games as one of many influences on behavior noting that many children s television shows and movies also contain violent scenes but the authors believe that video games are particularly harmful because they are interactive and encourage role playing

Immerse yourself in heartwarming tales of love and emotion with Crafted by is touching creation, Experience Loveis Journey in **Panasonic Hvx200a Manual** . This emotionally charged ebook, available for download in a PDF format (PDF Size: *), is a celebration of love in all its forms. Download now and let the warmth of these stories envelop your heart.

https://offsite.creighton.edu/files/virtual-library/Documents/if_you_only_knew_how_much_he_loves_you.pdf

https://offsite.creighton.edu/files/virtual-library/Documents/iep_goals_for_transition.pdf

https://offsite.creighton.edu/files/virtual-library/Documents/humorous_devotions_for_womens_groups.pdf

Table of Contents Panasonic Hvx200a Manual

1. Understanding the eBook Panasonic Hvx200a Manual
 - The Rise of Digital Reading Panasonic Hvx200a Manual
 - Advantages of eBooks Over Traditional Books
2. Identifying Panasonic Hvx200a Manual
 - Exploring Different Genres
 - Considering Fiction vs. Non-Fiction
 - Determining Your Reading Goals
3. Choosing the Right eBook Platform
 - Popular eBook Platforms
 - Features to Look for in an Panasonic Hvx200a Manual
 - User-Friendly Interface
4. Exploring eBook Recommendations from Panasonic Hvx200a Manual
 - Personalized Recommendations
 - Panasonic Hvx200a Manual User Reviews and Ratings

- Panasonic Hvx200a Manual and Bestseller Lists
- 5. Accessing Panasonic Hvx200a Manual Free and Paid eBooks
 - Panasonic Hvx200a Manual Public Domain eBooks
 - Panasonic Hvx200a Manual eBook Subscription Services
 - Panasonic Hvx200a Manual Budget-Friendly Options
- 6. Navigating Panasonic Hvx200a Manual eBook Formats
 - ePub, PDF, MOBI, and More
 - Panasonic Hvx200a Manual Compatibility with Devices
 - Panasonic Hvx200a Manual Enhanced eBook Features
- 7. Enhancing Your Reading Experience
 - Adjustable Fonts and Text Sizes of Panasonic Hvx200a Manual
 - Highlighting and Note-Taking Panasonic Hvx200a Manual
 - Interactive Elements Panasonic Hvx200a Manual
- 8. Staying Engaged with Panasonic Hvx200a Manual
 - Joining Online Reading Communities
 - Participating in Virtual Book Clubs
 - Following Authors and Publishers Panasonic Hvx200a Manual
- 9. Balancing eBooks and Physical Books Panasonic Hvx200a Manual
 - Benefits of a Digital Library
 - Creating a Diverse Reading Collection Panasonic Hvx200a Manual
- 10. Overcoming Reading Challenges
 - Dealing with Digital Eye Strain
 - Minimizing Distractions
 - Managing Screen Time
- 11. Cultivating a Reading Routine Panasonic Hvx200a Manual
 - Setting Reading Goals Panasonic Hvx200a Manual
 - Carving Out Dedicated Reading Time
- 12. Sourcing Reliable Information of Panasonic Hvx200a Manual
 - Fact-Checking eBook Content of Panasonic Hvx200a Manual
 - Distinguishing Credible Sources

13. Promoting Lifelong Learning
 - Utilizing eBooks for Skill Development
 - Exploring Educational eBooks
14. Embracing eBook Trends
 - Integration of Multimedia Elements
 - Interactive and Gamified eBooks

Panasonic Hvx200a Manual Introduction

Panasonic Hvx200a Manual Offers over 60,000 free eBooks, including many classics that are in the public domain. Open Library: Provides access to over 1 million free eBooks, including classic literature and contemporary works. Panasonic Hvx200a Manual Offers a vast collection of books, some of which are available for free as PDF downloads, particularly older books in the public domain. Panasonic Hvx200a Manual : This website hosts a vast collection of scientific articles, books, and textbooks. While it operates in a legal gray area due to copyright issues, its a popular resource for finding various publications. Internet Archive for Panasonic Hvx200a Manual : Has an extensive collection of digital content, including books, articles, videos, and more. It has a massive library of free downloadable books. Free-eBooks Panasonic Hvx200a Manual Offers a diverse range of free eBooks across various genres. Panasonic Hvx200a Manual Focuses mainly on educational books, textbooks, and business books. It offers free PDF downloads for educational purposes. Panasonic Hvx200a Manual Provides a large selection of free eBooks in different genres, which are available for download in various formats, including PDF. Finding specific Panasonic Hvx200a Manual, especially related to Panasonic Hvx200a Manual, might be challenging as theyre often artistic creations rather than practical blueprints. However, you can explore the following steps to search for or create your own Online Searches: Look for websites, forums, or blogs dedicated to Panasonic Hvx200a Manual, Sometimes enthusiasts share their designs or concepts in PDF format. Books and Magazines Some Panasonic Hvx200a Manual books or magazines might include. Look for these in online stores or libraries. Remember that while Panasonic Hvx200a Manual, sharing copyrighted material without permission is not legal. Always ensure youre either creating your own or obtaining them from legitimate sources that allow sharing and downloading. Library Check if your local library offers eBook lending services. Many libraries have digital catalogs where you can borrow Panasonic Hvx200a Manual eBooks for free, including popular titles. Online Retailers: Websites like Amazon, Google Books, or Apple Books often sell eBooks. Sometimes, authors or publishers offer promotions or free periods for certain books. Authors Website Occasionally, authors provide excerpts or short stories for free on their websites. While this might not be the Panasonic Hvx200a Manual full book , it can give you a taste of the authors writing style. Subscription Services Platforms like Kindle Unlimited or Scribd

offer subscription-based access to a wide range of Panasonic Hvx200a Manual eBooks, including some popular titles.

FAQs About Panasonic Hvx200a Manual Books

How do I know which eBook platform is the best for me? Finding the best eBook platform depends on your reading preferences and device compatibility. Research different platforms, read user reviews, and explore their features before making a choice. Are free eBooks of good quality? Yes, many reputable platforms offer high-quality free eBooks, including classics and public domain works. However, make sure to verify the source to ensure the eBook credibility. Can I read eBooks without an eReader? Absolutely! Most eBook platforms offer webbased readers or mobile apps that allow you to read eBooks on your computer, tablet, or smartphone. How do I avoid digital eye strain while reading eBooks? To prevent digital eye strain, take regular breaks, adjust the font size and background color, and ensure proper lighting while reading eBooks. What the advantage of interactive eBooks? Interactive eBooks incorporate multimedia elements, quizzes, and activities, enhancing the reader engagement and providing a more immersive learning experience. Panasonic Hvx200a Manual is one of the best book in our library for free trial. We provide copy of Panasonic Hvx200a Manual in digital format, so the resources that you find are reliable. There are also many Ebooks of related with Panasonic Hvx200a Manual. Where to download Panasonic Hvx200a Manual online for free? Are you looking for Panasonic Hvx200a Manual PDF? This is definitely going to save you time and cash in something you should think about. If you trying to find then search around for online. Without a doubt there are numerous these available and many of them have the freedom. However without doubt you receive whatever you purchase. An alternate way to get ideas is always to check another Panasonic Hvx200a Manual. This method for see exactly what may be included and adopt these ideas to your book. This site will almost certainly help you save time and effort, money and stress. If you are looking for free books then you really should consider finding to assist you try this. Several of Panasonic Hvx200a Manual are for sale to free while some are payable. If you arent sure if the books you would like to download works with for usage along with your computer, it is possible to download free trials. The free guides make it easy for someone to free access online library for download books to your device. You can get free download on free trial for lots of books categories. Our library is the biggest of these that have literally hundreds of thousands of different products categories represented. You will also see that there are specific sites catered to different product types or categories, brands or niches related with Panasonic Hvx200a Manual. So depending on what exactly you are searching, you will be able to choose e books to suit your own need. Need to access completely for Campbell Biology Seventh Edition book? Access Ebook without any digging. And by having access to our ebook online or by storing it on your computer, you have convenient answers with Panasonic Hvx200a Manual To get started finding Panasonic Hvx200a Manual, you are right to find our website

which has a comprehensive collection of books online. Our library is the biggest of these that have literally hundreds of thousands of different products represented. You will also see that there are specific sites catered to different categories or niches related with Panasonic Hvx200a Manual So depending on what exactly you are searching, you will be able to choose ebook to suit your own need. Thank you for reading Panasonic Hvx200a Manual. Maybe you have knowledge that, people have search numerous times for their favorite readings like this Panasonic Hvx200a Manual, but end up in harmful downloads. Rather than reading a good book with a cup of coffee in the afternoon, instead they juggled with some harmful bugs inside their laptop. Panasonic Hvx200a Manual is available in our book collection an online access to it is set as public so you can download it instantly. Our digital library spans in multiple locations, allowing you to get the most less latency time to download any of our books like this one. Merely said, Panasonic Hvx200a Manual is universally compatible with any devices to read.

Find Panasonic Hvx200a Manual :

[if you only knew how much he loves you](#)

[iep goals for transition](#)

~~[humorous devotions for women's groups](#)~~

[husband jodi arias marriage](#)

[i know my first name is steven trailer](#)

[icebreaker book 2](#)

[images of pele goddess of fire](#)

[icivics do i have a right](#)

[i want to learn vietnamese](#)

[human skeleton reference](#)

[immigration law study guide](#)

[human body facts for kids](#)

[i want a hippopotamus for christmas sheet music pdf](#)

[how to win friends and influence people audiobook](#)

[idaho travel guide book](#)

Panasonic Hvx200a Manual :