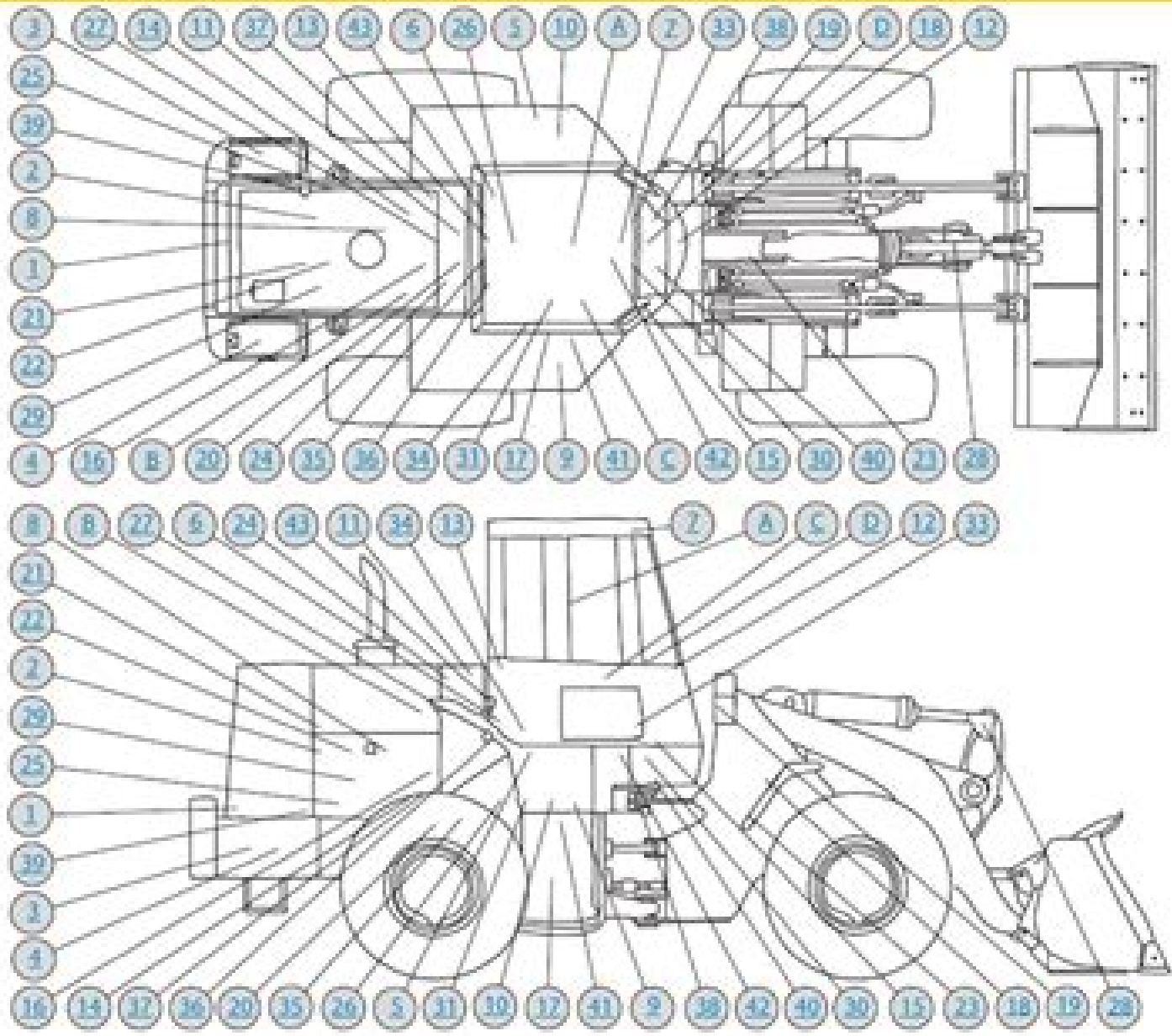


MACHINE HARNESS CONNECTOR AND COMPONENT LOCATIONS



[VIEW ALL CALLOUTS](#)



Activate¹
Go to Settings

Cat 950f Wheel Loader Manual

Jenny Crompton



Cat 950f Wheel Loader Manual

California Builder & Engineer, 2000 **Power**, 1991 *Handbook of Western Reclamation Techniques*, 1996

Automotive Sensors John Turner, 2009 This book will help engineers technicians and designers to better understand a wide range of sensors from those based on piezoelectric phenomena through those for thermal and flow measurement to the directional sensors that can inform the driver of his orientation on the road Author John Turner concludes his book with future trends in use of telematic sensing systems for traffic control and traffic automation *Sensors and Transducers* Ian Sinclair, 2000-12-05 In this book Ian Sinclair provides the practical knowhow required by technician engineers systems designers and students The focus is firmly on understanding the technologies and their different applications not a mathematical approach The result is a highly readable text which provides a unique introduction to the selection and application of sensors transducers and switches and a grounding in the practicalities of designing with these devices The devices covered encompass heat light and motion environmental sensing sensing in industrial control and signal carrying and non signal switches Get up to speed in this key topic through this leading practical guide Understand the range of technologies and applications before specifying Gain a working knowledge with a minimum of maths [Driving Great Results](#) Luke Sheppard, 2021-02-17 Just give me the tools I need to run a great business Driving Great Results will help any entrepreneur or manager become more effective at their most important responsibility running their business This easy to follow handbook provides 19 practical and immediately applicable tools to help you Determine what s most important to you and your business Prioritize and make better decisions Identify and drive the projects worth pursuing Identify the 3 types of communication and how to deliver the right message Interview hire and empower the right people Running a business is tough but incredibly rewarding Driving Great Results addresses the frustration around the core elements of running your business Don t reinvent the wheel for tools that have already been proven Spend your time on the things which really matter your people customer satisfaction market and product differentiation and doing the things you love to do **Longitude** Dava Sobel, 2005-10 Recounts John Harrison s forty year quest to build the chronometer the clock that enabled sailors to measure longitude saving lives and fortunes **Street Smart** Samuel I Schwartz, 2015-08-18 On a Saturday morning in December 1973 a section of New York s West Side Highway collapsed under the weight of a truck full of asphalt The road was closed seemingly for good and the 80 000 cars that traveled it each day had to find a new way to their destinations It ought to have produced traffic chaos but it didn t The cars simply vanished It was a moment of revelation the highway had induced the demand for car travel It was a classic case of build it and they will come but for the first time the opposite had been shown to be true knock it down and they will go away Samuel I Schwartz was inspired by the lesson He started to reimagine cities most of all his beloved New York freed from their obligation to cars Eventually he found he was not alone

Since the turn of the twenty first century a surreptitious revolution has taken place every year Americans are driving fewer miles And the generation named for this new century the Millennials are driving least of all Not because they can t afford to they don t want to They have better ideas for how to use their streets An urban transformation is underway and smart streets are at the heart of it They will boost property prices and personal fitness roll back years of congestion and smog and offer a transformative experience of American urban life From San Francisco to Salt Lake Charleston to Houston the American city is becoming a better and better place to be Schwartz s Street Smart is a dazzling and affectionate history of the struggle for control of American cities and an inspiring off road map to a more vibrant active and vigorous urban future 4x4

Suspension Handbook Trenton McGee,2007 Author Trenton McGee 4x4 suspension expert and host of Outdoor Channels Off Road Adventures explains 4x4 suspension systems in an easy to understand manner He gets specific on types of suspensions available from all the major manufacturers including Jeep Toyota Ford Chevy and Dodge He goes into a great level of detail on every different model including early and modern model systems *Historical Dictionary of Ancient India* Kumkum Roy,2009 India s history and culture is ancient and dynamic spanning back to the beginning of human civilization Beginning with a mysterious culture along the Indus River and in farming communities in the southern lands of India the history of India is punctuated by constant integration with migrating peoples and with the diverse cultures that surround the country Placed in the center of Asia history in India is a crossroads of cultures from China to Europe as well as the most significant Asian connection with the cultures of Africa The Historical Dictionary of Ancient India provides information ranging from the earliest Paleolithic cultures in the Indian subcontinent to 1000 CE The ancient history of this country is related in this book through a chronology an introductory essay a bibliography and hundreds of cross referenced dictionary entries on rulers bureaucrats ancient societies religion gods and philosophical ideas *Building a New Nation* Dan Connell,2004 In April 1976 Dan Connell slipped into Eritrea s besieged capital Asmara where he witnessed the assassination of a top ranking Ethiopian official and its bloody aftermath the summary execution of dozens of innocent civilians His front page account in The Washington Post broke Ethiopia s long standing information blockade Connell went on to write about the radical social transformation underway in guerrilla held areas the near defeat of Ethiopia s American backed army the **Crap CVs** Jenny Crompton,2014-10-09 A HILARIOUS COMPILATION OF THE WORST JOB APPLICATIONS IMAGINABLE A PERFECT STOCKING FILLER OR OFFICE SECRET SANTA GIFT THIS CHRISTMAS Ever read a truly terrible job application Or perhaps slightly exaggerated the truth on one of your own We ve all been there but these are worse So much worse From overly honest cover letters embarrassing typos and mortifying personal revelations to awkward interview questions misplaced self confidence and of course outright lies This hilarious collection of shockingly dreadful job applications crap CVs and excruciating interviews will have you laughing out loud while also making you feel so much better about yourself because at least you weren t ever this bad Application for Employment I refer to the recent death of the Technical Manager

at your company and hereby apply for the replacement of the deceased manager Each time I apply for a job I get a reply that there is no vacancy but in this case I have caught you red handed and you have no excuse because I even attended the funeral to be sure that he was truly dead and buried before applying Attached to my letter is a copy of my CV and his death certificate The Interview Q Is there anything about this job that you feel you might not be very good at A Dealing with people Q What person living or dead would you most like to meet A The living one **Blazing New Trails: Sir Sandford Fleming**

Jane Kelley,2007 **Performance Exhaust Systems** Mike Mavrigian,2014-08-15 To extract maximum performance an engine needs an efficient well designed and properly tuned exhaust system In fact the exhaust system s design components and materials have a large impact on the overall performance of the engine Engine builders and car owners need to carefully consider the exhaust layout select the parts and fabricate the exhaust system that delivers the best performance for car and particular application Master engine builder and award winning writer Mike Mavrigian explains exhaust system principles function and components in clear and concise language He then details how to design fabricate and fit exhaust systems to classic street cars as well as for special and racing applications Air exhaust gas flow dynamics and exhaust system design are explained Cam duration and overlap are also analyzed to determine how an engine breathes in air fuel as the exhaust must efficiently manage this burned mixture Pipe bending is a science as well as art and you re shown how to effectively crush and mandrel bend exhaust pipe to fit your header manifold and chassis combination Header tube diameter and length is taken into account as well as the most efficient catalytic converters and resonators for achieving your performance goals In addition Mavrigian covers the special exhaust system requirements for supercharged and turbocharged systems When building a high performance engine you need a high performance exhaust system that s tuned and fitted to that engine so you can realize maximum performance This comprehensive book is your guide to achieving ultimate exhaust system performance It shows you how to fabricate a system for custom applications and to fit the correct prefabricated system to your car No other book on the market is solely dedicated to fabricating and fitting an exhaust system in high performance applications **Holley Carburetors** Mike Mavrigian,2016-01-15 During the muscle car wars of the 1960s Holley carburetors emerged as the carbs to have because of their easy to tune design abundance of parts and wide range of sizes

The legendary Double Pumper the universal 600 cfm 1850 models the Dominator and now the Avenger have stood the test of time and are the leading carburetors in the high performance engine market To many enthusiasts the operation components and rebuilding procedures remain a mystery Yet many carburetors need to be rebuilt and properly set up for a particular engine package Veteran engine building expert and automotive author Mike Mavrigian guides you through each important stage of the rebuilding process so you have the best operating carburetor for a particular engine and application In addition he explains carb identification as well as idle mid range and high speed circuit operation specialty tools and available parts You often need to replace gaskets worn parts and jets for the prevailing weather altitude conditions or a different engine

setup Mavrigian details how to select parts then disassemble assemble and calibrate all of the major Holley carburetors In an easy to follow step by step format he shows you each critical stage for cleaning sensitive components and installing parts including idle screws idle air jets primary secondary main jets accelerator pumps emulsion tubes and float bowls He also includes the techniques for getting all of the details right so you have a smooth running engine Holley carburetor owners need a rebuilding guide for understanding disassembling selecting parts and reassembling their carbs so the carb then delivers exceptional acceleration quick response and superior fuel economy With Holley Carburetors How to Rebuild you can get the carb set up and performing at its best And if desired you can move to advanced levels of tuning and modifying these carbs If you re looking for the one complete book that helps you quickly and expertly rebuild your Holley and get back on the road this book is a vital addition to your performance library *Hymns for Special Services and Congregations, compiled by M. Alexander* Marianne ALEXANDER,1868 *The Aggregates Handbook, Second Edition* National Stone, Sand & Gravel Association,2013-03-20 [The Combat Edge](#) ,2000-08 *Magnum Landscape* Magnum Photos,1996 In the tradition of monumental Magnum books this publication brings together an eclectic assortment of work by the finest photographers of our time capturing a riveting and seductive series of fleeting moments around the world For half a century Magnum photographers through countless commissions and their own personal work have produced images that comment on the state of the world In photographing the landscape they are not just spectators but participants aware that the land itself has been shaped by man and that the very notion of a landscape depends on a human viewpoint As each photographer records and interprets a diversity of subject matter to form a unique personal style the variations on this theme are endless landscapes of war of agriculture of industry of cities and motorways of desolation celebration and tranquillity The photographs assimilated in this book invite us to rediscover landscape and urge us to think more profoundly not only about planet earth in its entirety but about our own place in it **Oil Hydraulic Systems** S R Majumdar,2002-11-11 Publisher s Note Products purchased from Third Party sellers are not guaranteed by the publisher for quality authenticity or access to any online entitlements included with the product A hydraulic system transmits force from one point to another using an incompressible fluid The fluid is almost always oil and the force is almost always multiplied in the process Nowadays it is very easy to add force multiplication or division to the system Hydraulic systems are extensively used in machine tools material devices transport and other mobile equipment Written for design engineers and maintenance personnel *Oil Hydraulic Systems Principles and Maintenance* provides the necessary tools for installation operation and maintenance of hydraulic equipment The book touches on such subjects as hydraulic system maintenance repair and reconditioning seals and packing hydraulic pipes hoses and fitting design of hydraulic circuits

Butler 5th edition solutions - Solutions End-of-Chapter ... Solutions. End-of-Chapter. Questions and Problems. to accompany.

Multinational Finance. by Kirt C. Butler. Fourth Edition (2008). John Wiley & Sons. Kirt C Butler Solutions Books by Kirt C Butler with Solutions ; Multinational Finance 5th Edition 326 Problems solved, Kirt C Butler ; Multinational Finance 6th Edition 324 Problems ... Multinational Finance: Evaluating... by Butler, Kirt C. This book provides a framework for evaluating the many opportunities, costs, and risks of multinational operations in a manner that allows readers to see beyond ... Chapter exercises - solution - Kirt C. Butler ... Kirt C. Butler, Solutions for Multinational Finance, John Wiley & Sons, 2016. ; Answers to Conceptual Questions ; 3.1 Define liquidity. ; Liquidity: the ease with ... Multinational Finance: Evaluating Opportunities, Costs, and ... This book provides a framework for evaluating the many opportunities, costs, and risks of multinational operations in a manner that allows readers to see beyond ... Butler Solution | PDF | Foreign Exchange Market Butler, Solutions for Multinational Finance, 4th edition. 9.5 a. The sale is ... Multination Finance Butler 5th Edition. Unostudent2014. If m 121823602050. Chapter 4 Problem 5P Solution | Multinational Finance 5th ... Access Multinational Finance 5th Edition Chapter 4 Problem 5P solution now. Our solutions are written by Chegg experts so you can be assured of the highest ... Multinational Finance: Evaluating Opportunities, Costs, and ... Finance: Evaluating Opportunities, Costs, and Risks of Operations by Butler, Kirt ... Multinational Finance, Fifth Edition assumes the viewpoint of the financial ... Multinational Finance ... Fifth Edition. KIRT C. BUTLER. Michigan State University. John Wiley & Sons ... Solutions to Even-Numbered Problems. 607. Symbols and Acronyms. 635. Useful Rules ... Multinational Finance: Evaluating the Opportunities, Costs ... Multinational Finance: Evaluating the Opportunities, Costs, and Risks of Multinational Operations (Wiley Finance) - Kindle edition by Butler, Kirt C.. Java: An Introduction to Problem Solving... by Savitch, Walter Java: An Introduction to Problem Solving and Programming, 7e, is ideal for introductory Computer Science courses using Java, and other introductory programming ... Java: An Introduction to Problem Solving and Programming ... Java: An Introduction to Problem Solving and Programming, Student Value Edition (7th Edition). 7th Edition. ISBN-13: 978-0133841084, ISBN-10: 0133841081. 4.4 ... An Introduction to Problem Solving & Programming Welcome to the seventh edition of Java: An Introduction to Problem Solving & Programming. This book is designed for a first course in programming and. Java: An Introduction to Problem Solving and Programming ... Java: An Introduction to Problem Solving and Programming (7th Edition) by Savitch, Walter - ISBN 10: 0133766268 - ISBN 13: 9780133766264 - Pearson - 2014 ... Java: An Introduction to Problem Solving and Programming Java: An Introduction to Problem Solving and Programming, 8th edition. Published by Pearson (July 13, 2021) © 2018. Walter Savitch University of California, ... Java: an introduction to problem solving & programming [7th ... Welcome to the seventh edition of Java: An Introduction to Problem Solving & Programming. This book is designed for a first course in programming and computer ... Java: An Introduction to Problem Solving and Programming ... Java: An Introduction to Problem Solving and Programming plus MyProgrammingLab with Pearson eText -- Access Card Package (7th Edition) - Softcover. Savitch ... Java: An Introduction to Problem Solving and Programming ... Jun 28, 2014 — -- Java: An Introduction to Problem Solving and

Programming, 7e, is ideal ... Programming with Pearson eText -- Access Card Package (7th Edition). Java: An Introduction to Problem Solving and Programming ... Title Java: An Introduction to Problem Solving and Programming · Author Walter Savitch · Binding Paperback · Edition number 7th · Edition 7 · Pages 989 · Volumes 1 ... an_introduction_to_problem_sol... Welcome to the sixth edition of Java: An Introduction to Problem Solving & Programming. This book is designed for a first course in programming and. Hole's Human Anatomy & Physiology | Multiple Choice Quiz A web site to accompany the McGraw-Hill college textbook Hole's Human ... Multiple Choice Quiz. Please answer all questions. 1. Which field, when compared to ... Chapter Assessment Answers Hole's Human Anatomy and Physiology (Shier), 13th Edition. Chapter Assessment Answers. Chapter 01 Assessment Answers (46.0K) Anatomy and physiology Mcgraw Hill Exam 1 Flashcards See an expert-written answer! We have an expert-written solution to this problem! Which one of the following is not in the correct anatomical position? Chapter 1 Anatomy & Physiology (McGraw Hill) Flashcards Study with Quizlet and memorize flashcards containing terms like Ultrastructure, Histopathology, Histology and more. Practice Question Answers Hole's Human Anatomy and Physiology (Shier), 13th Edition. Practice Question Answers. Preview Chapter (24.0K) · Chapter 1 (33.0K) · Chapter 2 (31.0K) Anatomy And Physiology Mcgraw Hill Quiz Answers Pdf Anatomy And Physiology Mcgraw Hill Quiz Answers Pdf. INTRODUCTION Anatomy And Physiology Mcgraw Hill Quiz. Answers Pdf FREE. Anatomy And Physiology Mcgraw Hill Quiz Answers Pdf Page 1. Anatomy And Physiology Mcgraw Hill Quiz Answers Pdf. INTRODUCTION Anatomy And Physiology Mcgraw Hill Quiz. Answers Pdf Copy. Test Banks Hole's Human Anatomy and Physiology (Shier), 13th Edition. Test Banks. Use the ... Practice Question Answers; Chapter Assessment Answers; Integrative Assessment ... Study Tools | AccessMedicine | McGraw Hill Medical Generate multiple-choice quizzes from the resources below. Clinical Neuroanatomy, 29e 100 Questions. New! Clinical Neuroanatomy, 30th Edition Anatomy And Physiology Mcgraw Hill Quiz Answers Pdf Anatomy And Physiology Mcgraw Hill Quiz. Answers Pdf. INTRODUCTION Anatomy And Physiology Mcgraw Hill Quiz. Answers Pdf (2023)

Embark on a transformative journey with Explore the World with its captivating work, **Cat 950f Wheel Loader Manual**. This enlightening ebook, available for download in a convenient PDF format PDF Size: , invites you to explore a world of boundless knowledge. Unleash your intellectual curiosity and discover the power of words as you dive into this riveting creation. Download now and elevate your reading experience to new heights .

https://offsite.creighton.edu/files/virtual-library/Documents/maui_nightlife_2022.pdf

https://offsite.creighton.edu/files/virtual-library/Documents/medical_terminology_test_free.pdf

https://offsite.creighton.edu/files/virtual-library/Documents/mastic_siding_colors.pdf

Table of Contents Cat 950f Wheel Loader Manual

1. Understanding the eBook Cat 950f Wheel Loader Manual
 - The Rise of Digital Reading Cat 950f Wheel Loader Manual
 - Advantages of eBooks Over Traditional Books
2. Identifying Cat 950f Wheel Loader Manual
 - Exploring Different Genres
 - Considering Fiction vs. Non-Fiction
 - Determining Your Reading Goals
3. Choosing the Right eBook Platform
 - Popular eBook Platforms
 - Features to Look for in an Cat 950f Wheel Loader Manual
 - User-Friendly Interface
4. Exploring eBook Recommendations from Cat 950f Wheel Loader Manual
 - Personalized Recommendations

- Cat 950f Wheel Loader Manual User Reviews and Ratings
- Cat 950f Wheel Loader Manual and Bestseller Lists
- 5. Accessing Cat 950f Wheel Loader Manual Free and Paid eBooks
 - Cat 950f Wheel Loader Manual Public Domain eBooks
 - Cat 950f Wheel Loader Manual eBook Subscription Services
 - Cat 950f Wheel Loader Manual Budget-Friendly Options
- 6. Navigating Cat 950f Wheel Loader Manual eBook Formats
 - ePub, PDF, MOBI, and More
 - Cat 950f Wheel Loader Manual Compatibility with Devices
 - Cat 950f Wheel Loader Manual Enhanced eBook Features
- 7. Enhancing Your Reading Experience
 - Adjustable Fonts and Text Sizes of Cat 950f Wheel Loader Manual
 - Highlighting and Note-Taking Cat 950f Wheel Loader Manual
 - Interactive Elements Cat 950f Wheel Loader Manual
- 8. Staying Engaged with Cat 950f Wheel Loader Manual
 - Joining Online Reading Communities
 - Participating in Virtual Book Clubs
 - Following Authors and Publishers Cat 950f Wheel Loader Manual
- 9. Balancing eBooks and Physical Books Cat 950f Wheel Loader Manual
 - Benefits of a Digital Library
 - Creating a Diverse Reading Collection Cat 950f Wheel Loader Manual
- 10. Overcoming Reading Challenges
 - Dealing with Digital Eye Strain
 - Minimizing Distractions
 - Managing Screen Time
- 11. Cultivating a Reading Routine Cat 950f Wheel Loader Manual
 - Setting Reading Goals Cat 950f Wheel Loader Manual
 - Carving Out Dedicated Reading Time
- 12. Sourcing Reliable Information of Cat 950f Wheel Loader Manual
 - Fact-Checking eBook Content of Cat 950f Wheel Loader Manual

- Distinguishing Credible Sources
- 13. Promoting Lifelong Learning
 - Utilizing eBooks for Skill Development
 - Exploring Educational eBooks
- 14. Embracing eBook Trends
 - Integration of Multimedia Elements
 - Interactive and Gamified eBooks

Cat 950f Wheel Loader Manual Introduction

In this digital age, the convenience of accessing information at our fingertips has become a necessity. Whether its research papers, eBooks, or user manuals, PDF files have become the preferred format for sharing and reading documents. However, the cost associated with purchasing PDF files can sometimes be a barrier for many individuals and organizations. Thankfully, there are numerous websites and platforms that allow users to download free PDF files legally. In this article, we will explore some of the best platforms to download free PDFs. One of the most popular platforms to download free PDF files is Project Gutenberg. This online library offers over 60,000 free eBooks that are in the public domain. From classic literature to historical documents, Project Gutenberg provides a wide range of PDF files that can be downloaded and enjoyed on various devices. The website is user-friendly and allows users to search for specific titles or browse through different categories. Another reliable platform for downloading Cat 950f Wheel Loader Manual free PDF files is Open Library. With its vast collection of over 1 million eBooks, Open Library has something for every reader. The website offers a seamless experience by providing options to borrow or download PDF files. Users simply need to create a free account to access this treasure trove of knowledge. Open Library also allows users to contribute by uploading and sharing their own PDF files, making it a collaborative platform for book enthusiasts. For those interested in academic resources, there are websites dedicated to providing free PDFs of research papers and scientific articles. One such website is Academia.edu, which allows researchers and scholars to share their work with a global audience. Users can download PDF files of research papers, theses, and dissertations covering a wide range of subjects. Academia.edu also provides a platform for discussions and networking within the academic community. When it comes to downloading Cat 950f Wheel Loader Manual free PDF files of magazines, brochures, and catalogs, Issuu is a popular choice. This digital publishing platform hosts a vast collection of publications from around the world. Users can search for specific titles or explore various categories and genres. Issuu offers a seamless reading experience with its user-friendly interface and allows users to download PDF files for offline reading. Apart from dedicated platforms, search engines also play a crucial role in finding free PDF files. Google, for instance, has an advanced

search feature that allows users to filter results by file type. By specifying the file type as "PDF," users can find websites that offer free PDF downloads on a specific topic. While downloading Cat 950f Wheel Loader Manual free PDF files is convenient, its important to note that copyright laws must be respected. Always ensure that the PDF files you download are legally available for free. Many authors and publishers voluntarily provide free PDF versions of their work, but its essential to be cautious and verify the authenticity of the source before downloading Cat 950f Wheel Loader Manual. In conclusion, the internet offers numerous platforms and websites that allow users to download free PDF files legally. Whether its classic literature, research papers, or magazines, there is something for everyone. The platforms mentioned in this article, such as Project Gutenberg, Open Library, Academia.edu, and Issuu, provide access to a vast collection of PDF files. However, users should always be cautious and verify the legality of the source before downloading Cat 950f Wheel Loader Manual any PDF files. With these platforms, the world of PDF downloads is just a click away.

FAQs About Cat 950f Wheel Loader Manual Books

How do I know which eBook platform is the best for me? Finding the best eBook platform depends on your reading preferences and device compatibility. Research different platforms, read user reviews, and explore their features before making a choice. Are free eBooks of good quality? Yes, many reputable platforms offer high-quality free eBooks, including classics and public domain works. However, make sure to verify the source to ensure the eBook credibility. Can I read eBooks without an eReader? Absolutely! Most eBook platforms offer webbased readers or mobile apps that allow you to read eBooks on your computer, tablet, or smartphone. How do I avoid digital eye strain while reading eBooks? To prevent digital eye strain, take regular breaks, adjust the font size and background color, and ensure proper lighting while reading eBooks. What the advantage of interactive eBooks? Interactive eBooks incorporate multimedia elements, quizzes, and activities, enhancing the reader engagement and providing a more immersive learning experience. Cat 950f Wheel Loader Manual is one of the best book in our library for free trial. We provide copy of Cat 950f Wheel Loader Manual in digital format, so the resources that you find are reliable. There are also many Ebooks of related with Cat 950f Wheel Loader Manual. Where to download Cat 950f Wheel Loader Manual online for free? Are you looking for Cat 950f Wheel Loader Manual PDF? This is definitely going to save you time and cash in something you should think about. If you trying to find then search around for online. Without a doubt there are numerous these available and many of them have the freedom. However without doubt you receive whatever you purchase. An alternate way to get ideas is always to check another Cat 950f Wheel Loader Manual. This method for see exactly what may be included and adopt these ideas to your book. This site will almost certainly help you save time and effort, money and stress. If you are looking for free books then you really should consider finding to assist you try

this. Several of Cat 950f Wheel Loader Manual are for sale to free while some are payable. If you arent sure if the books you would like to download works with for usage along with your computer, it is possible to download free trials. The free guides make it easy for someone to free access online library for download books to your device. You can get free download on free trial for lots of books categories. Our library is the biggest of these that have literally hundreds of thousands of different products categories represented. You will also see that there are specific sites catered to different product types or categories, brands or niches related with Cat 950f Wheel Loader Manual. So depending on what exactly you are searching, you will be able to choose e books to suit your own need. Need to access completely for Campbell Biology Seventh Edition book? Access Ebook without any digging. And by having access to our ebook online or by storing it on your computer, you have convenient answers with Cat 950f Wheel Loader Manual To get started finding Cat 950f Wheel Loader Manual, you are right to find our website which has a comprehensive collection of books online. Our library is the biggest of these that have literally hundreds of thousands of different products represented. You will also see that there are specific sites catered to different categories or niches related with Cat 950f Wheel Loader Manual So depending on what exactly you are searching, you will be able to choose ebook to suit your own need. Thank you for reading Cat 950f Wheel Loader Manual. Maybe you have knowledge that, people have search numerous times for their favorite readings like this Cat 950f Wheel Loader Manual, but end up in harmful downloads. Rather than reading a good book with a cup of coffee in the afternoon, instead they juggled with some harmful bugs inside their laptop. Cat 950f Wheel Loader Manual is available in our book collection an online access to it is set as public so you can download it instantly. Our digital library spans in multiple locations, allowing you to get the most less latency time to download any of our books like this one. Merely said, Cat 950f Wheel Loader Manual is universally compatible with any devices to read.

Find Cat 950f Wheel Loader Manual :

[maui nightlife 2022](#)

[medical terminology test free](#)

[mastic siding colors](#)

[mcdonalds onboarding process](#)

may the lord bless you and keep you benediction

mathematical models with applications

[mass christ the savior](#)

[mary berry chef](#)

mbe criminal procedure

mcquaig personality test

massey ferguson founder

medical coding study books

~~marvin gets mad~~

medical in urdu

master data management books

Cat 950f Wheel Loader Manual :