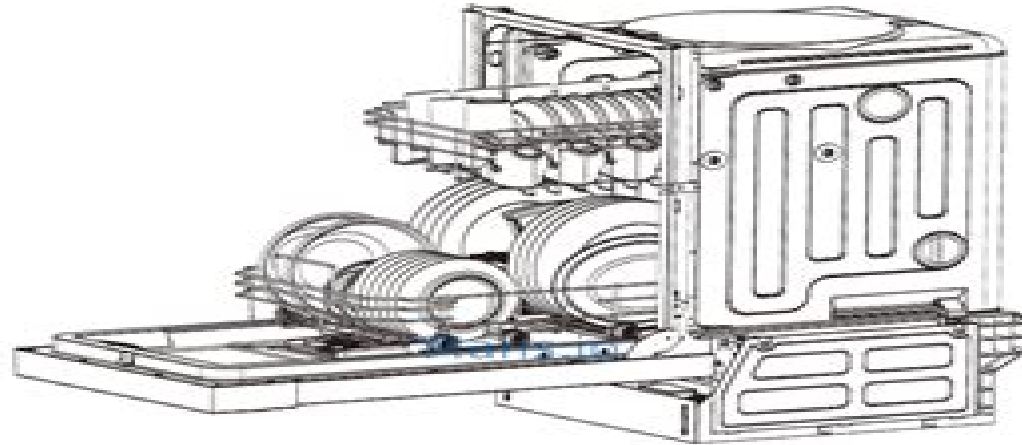


EDGE STAR®



Edgestar Product Manual

Adrian Frutiger



Edgestar Product Manual

Beading with Cabochons Jamie Cloud Eakin, 2005 With this gloriously photographed and illustrated manual at hand beaders can create awe inspiring jewelry It s the only current comprehensive guide to working with cabochons a flat piece of rock or mineral and it covers all the basics along with a range of new creative techniques and hot trends Find out which tools and materials to use which beads work best and how to wrap them round the stones Craft turned pointed twisted brick stitch ruffled or scalloped edges or add decorative fringe For something dramatic combine more than one cabochon in a single piece Or instead of natural stone use dichroic glass or other found objects Make a glittering brooch funky bracelets a wearable art necklace and other showstoppers

No Logo Naomi Klein, 2000-01-15 What corporations fear most are consumers who ask questions Naomi Klein offers us the arguments with which to take on the superbrands Billy Bragg from the bookjacket

Signs and Symbols Adrian Frutiger, 1998 Discusses the elements of a sign and looks at pictograms alphabets calligraphy monograms text type numerical signs symbols and trademarks

Hardcore Carnivore Jess Pryles, 2018 This first US edition has been updated and revised

Batman: The Official Coloring Book Insight Editions, 2022-02-22 Bring the world of the Caped Crusader to life upon the pages of Batman The Official Coloring Book filled with ready to color detailed illustrations The Dark Knight The World s Greatest Detective The Defender of Gotham City Bring your unique creativity to this official coloring book featuring DC Comics iconic superhero the one and only Batman 60 COLORING PAGES Detailed pages offer hours of coloring fun featuring iconic scenes from the streets of Gotham City to the Batcave and beyond ACTION PACKED Fan favorite characters like Batman Robin and the Joker explode off the ready to color pages HEROES AND VILLAINS Help the Dark Knight bring peace to Gotham City and witness his iconic struggle against foes like The Penguin and Harley Quinn CREATIVE EXPRESSION Enjoy hours of creative fun and relaxation through coloring with one of the world s mightiest of heroes

How Cybersecurity Really Works Sam Grubb, 2021-06-15 Cybersecurity for Beginners is an engaging introduction to the field of cybersecurity You ll learn how attackers operate as well as how to defend yourself and organizations against online attacks You don t need a technical background to understand core cybersecurity concepts and their practical applications all you need is this book It covers all the important stuff and leaves out the jargon giving you a broad view of how specific attacks work and common methods used by online adversaries as well as the controls and strategies you can use to defend against them Each chapter tackles a new topic from the ground up such as malware or social engineering with easy to grasp explanations of the technology at play and relatable real world examples Hands on exercises then turn the conceptual knowledge you ve gained into cyber savvy skills that will make you safer at work and at home You ll explore various types of authentication and how they can be broken ways to prevent infections from different types of malware like worms and viruses and methods for protecting your cloud accounts from adversaries who

target web apps You'll also learn how to Use command line tools to see information about your computer and network Analyze email headers to detect phishing attempts Open potentially malicious documents in a sandbox to safely see what they do Set up your operating system accounts firewalls and router to protect your network Perform a SQL injection attack by targeting an intentionally vulnerable website Encrypt and hash your files In addition you'll get an inside look at the roles and responsibilities of security professionals see how an attack works from a cybercriminal's viewpoint and get first hand experience implementing sophisticated cybersecurity measures on your own devices *Star Wars, Edge of the Empire Roleplaying Game*, 2013 Explore the hidden corners of the Star Wars galaxy with Enter the Unknown This rulebook expands upon the Edge of the Empire roleplaying game adding new content for Explorer characters as well as any character looking to brave the fringes of the galaxy Jump behind the wheel of a speeder uncover lost secrets from a forgotten age and hunt down dangerous beasts among the stars Back cover **Star Wars Rpg - Force and Destiny Beginner Game**, 2015

Fresh from the Freezer Betty Crocker, 2016-09-06 Unlock the frozen asset in your kitchen with these quick and easy make ahead recipes the whole family will love Freezing is the easy way to guarantee that fresh must have recipes are always ready when you are From freeze ahead smoothie cubes to Monkey Bread Chicken Pot Pie and mug cakes this handy book lets you cook when you can and eat when you want 150 fully tested recipes give you the best ideas for cooking and freezing prepare do ahead dishes to freeze cook foods to be the base of multiple meals make slow cooker dinners and more Included is everything for Freezing 101 complete freezing thawing and heating information tips on storage options and advice on how long to freeze foods The book covers the rules of the thaw how to host a Freezer Meal Party and how to use ice cube trays to freeze herbs chocolate dipped fruit and even wine This is the complete guide to turning the freezer into a make ahead star

Star Wars: the Jedi Mind Amy Ratcliffe, 2020 The philosophical tenets that inform the Jedi Code are focused on peace knowledge serenity and harmony and are applicable not just in the galaxy far far away but also in our own galaxy here and now This accessible pop culture spin on mindfulness takes lessons from Star Wars based in character statements and quotations and briefly illuminates and expands on them in a few sentences to a paragraph to illustrate how readers might apply them to their own lives **Python Penetration Testing Essentials** Mohit Raj, 2018-05-30 This book gives you the

skills you need to use Python for penetration testing with the help of detailed code examples This book has been updated for Python 3.6.3 and Kali Linux 2018.1 Key Features Detect and avoid various attack types that put the privacy of a system at risk Leverage Python to build efficient code and eventually build a robust environment Learn about securing wireless applications and information gathering on a web server Book Description This book gives you the skills you need to use Python for penetration testing pentesting with the help of detailed code examples We start by exploring the basics of networking with Python and then proceed to network hacking Then you will delve into exploring Python libraries to perform various types of pentesting and ethical hacking techniques Next we delve into hacking the application layer where we start

by gathering information from a website We then move on to concepts related to website hacking such as parameter tampering DDoS XSS and SQL injection By reading this book you will learn different techniques and methodologies that will familiarize you with Python pentesting techniques how to protect yourself and how to create automated programs to find the admin console SQL injection and XSS attacks What you will learn The basics of network pentesting including network scanning and sniffing Wireless wired attacks and building traps for attack and torrent detection Web server footprinting and web application attacks including the XSS and SQL injection attack Wireless frames and how to obtain information such as SSID BSSID and the channel number from a wireless frame using a Python script The importance of web server signatures email gathering and why knowing the server signature is the first step in hacking Who this book is for If you are a Python programmer a security researcher or an ethical hacker and are interested in penetration testing with the help of Python then this book is for you Even if you are new to the field of ethical hacking this book can help you find the vulnerabilities in your system so that you are ready to tackle any kind of attack or intrusion

Perfect Pairings Evan Goldstein,2006-05-15 A practical accessible guide to basic principles of cooking for wine provides pointers on matching food with different styles of wine made from twelve popular varieties and 58 recipes tailored to distinctive styles of each kind of wine

The Belt Conveyor D.V. Subba Rao,2020-08-31 This book describes all parts of belt conveyors their functions and different types presented one after the other with necessary illustrations covering all the basic aspects so that the reader can obtain an overall understanding of their operation and implementation within the field of bulk material handling mining and mineral processing Dedicated study of this work will also enable engineers to carry out minor repairs on their own without having to wait for maintenance personnel This is an introductory preliminary book for beginners in the field of bulk material handling mining and mineral processing written in lucid easy to understand language well illustrated and with self explanatory descriptions that do not compromise in maintaining academic standards while dealing with the subject matter A salient feature of this book is that all the new terminology used to describe the components and their functions has been included and explained Much of the content of this book has been tested and evaluated positively by graduate and postgraduate students and professional engineers of several bulk material handling plants during training programs over the last twenty five years in India

Battletech Technical Readout: 3055 Upgrade Herbert A Beas, II,Randall N Bills,Loren Coleman,Warner Doles,Chris Hartford,David L McCullough,2012-01-18

Star Wars Lightsabers Pablo Hidalgo,2018-04-10 Not as clumsy as a blaster an elegant weapon for a more civilized age lightsabers are the agents of the Force the chosen weapon of both the Jedi and the Sith This new and updated version of Star Wars Lightsabers A Guide to Weapons of the Force explores these powerful weapons from tip to hilt diving into the stories that surround them and showcasing some of the most fascinating examples Study the galaxy s most notable lightsabers and the masters who wielded them from Yoda and Obi Wan Kenobi to Rey and Kylo Ren Every featured lightsaber includes a close up of its one of a kind hilt a photo of the Jedi or Sith master in

action Each page is filled with detailed statistics fascinating insights and little known facts Along with stories and details this updated version of Star Wars Lightsabers features key foldout pages that let you get even closer and a pull out poster featuring notable lightsaber hilts From the most famous lightsabers to the most notable lightsabers duels in galactic history this otherworldly volume captures it all *Star Wars Battles That Changed the Galaxy* Cole Horton,Jason Fry,Amy Ratcliffe,Chris Kempshall,2021-10-28 Explore the Wars in Star Wars as never before Enter a galaxy ravaged by conflict and discover the complete story of the epic struggles that define the Star Wars movies This ambitious ebook presents major galactic conflicts from an in world historical perspective each battle is depicted with captivating imagery explored with newly commissioned maps and explained through detailed analysis of tactics famous commanders legendary warriors key moments and its impact on wider galactic history This is the perfect ebook for any Star Wars fan budding military historian or would be rebel hero AND TM 2021 LUCASFILM LTD **Cutting Edge** Gordon McKibben,1998 This volume offers a behind the scenes look at how the Gillette company works providing insight into its global outlook and strategy It highlights the company s commitment to innovation creative advertising and environmental issues *Handbook Of Belting, Conveyor And Elevator* Goodyear Tire and Rubber Company,2022-10-26 This work has been selected by scholars as being culturally important and is part of the knowledge base of civilization as we know it This work is in the public domain in the United States of America and possibly other nations Within the United States you may freely copy and distribute this work as no entity individual or corporate has a copyright on the body of the work Scholars believe and we concur that this work is important enough to be preserved reproduced and made generally available to the public We appreciate your support of the preservation process and thank you for being an important part of keeping this knowledge alive and relevant *Wine for Normal People* Elizabeth Schneider,2019-11-05 This is a fun but respectful and very comprehensive guide to everything you ever wanted to know about wine from the creator and host of the popular podcast Wine for Normal People described by Imbibe magazine as a wine podcast for the people More than 60 000 listeners tune in every month to learn a not snobby wine vocabulary how and where to buy wine how to read a wine label how to smell swirl and taste wine and so much more Rich with charts maps and lists and the author s deep knowledge and unpretentious delivery this vividly illustrated down to earth handbook is a must have resource for millennials starting to buy boomers who suddenly have the time and money to hone their appreciation and anyone seeking a relatable introduction to the world of wine **Star Wars: Force and Destiny RPG Core Rulebook** Fantasy Flight Games (Firm),2015-05-15 Darkness engulfs the galaxy Under the rule of the Dark Lords of the Sith the Empire controls countless star systems through fear and oppression With the Jedi destroyed seekers and sentinels wardens and warriors pathfinders and peacekeepers must learn to use the Force and restore peace and justice to the galaxy

treffen sich zwei knochen fit und gelenkig bis ins hohe alter - Aug 15 2023

web treffen sich zwei knochen fit und gelenkig bis ins hohe alter das buch der gesunden gelenke pfeifer thomas isbn 9783864891281 kostenloser versand für alle bücher

treffen sich zwei knochen von thomas pfeifer portofrei bei - Feb 09 2023

web treffen sich zwei knochen fit und gelenkig bis ins hohe alter das buch der gesunden gelenke dr pfeifer thomas amazon de books

treffen sich zwei knochen overdrive - Oct 25 2021

treffen sich zwei knochen dr pfeifer thomas schulthess - Sep 04 2022

web mar 1 2016 treffen sich zwei knochen ebook mid fit und gelenkig bis ins hohe alter das buch der gesunden gelenke by dr thomas pfeifer

verbindung zwischen knochen im gelenk lösungen - Jan 28 2022

web 3 klinik tanı tedavi ulusal kongresi klġnġk kon 2021 kongre tarihġ 13 ekim 16 ekim 2021 kongre Őehirġ antalya türkiye kongre web sitesġ klinikkon.com

treffen sich zwei knochen fit und gelenkig bis ins hohe alter - Mar 10 2023

web treffen sich zwei knochen fit und gelenkig bis ins hohe alter das buch der gesunden gelenke

orthopäde pfeifer thomas alpha forum ard alpha br - Apr 30 2022

web finde hilfreiche kundenrezensionen und rezensionsbewertungen für treffen sich zwei knochen fit und gelenkig bis ins hohe alter das buch der gesunden gelenke auf

treffen sich zwei knochen westend verlag gmbh - Jun 13 2023

web treffen sich zwei knochen fit und gelenkig bis ins hohe alter das buch der gesunden gelenke dr pfeifer thomas isbn 9783492313339 kostenloser versand für alle

9783864896293 treffen sich zwei knochen dr thomas pfeifer - Jun 01 2022

web apr 20 2016 thomas pfeifer ist orthopäde und betreibt seit 1992 eine eigene praxis in frankfurt am main im märz 2016 erschien sein buch treffen sich zwei knochen fit

amazon de kundenrezensionen treffen sich zwei knochen fit - Mar 30 2022

web we come up with the money for treffen sich zwei knochen fit und gelenkig bis in and numerous books collections from fictions to scientific research in any way in the midst of

treffen sich zwei knochen orell füssli - Apr 11 2023

web eine anschauliche und faszinierende einföhrung in unseren bewegungsapparat und seine zipperlein von der diagnose

über die therapie bis zur vorbeugung gehen sitzen

treffen sich zwei knochen fit und gelenkig bis ins hohe alter - Jul 14 2023

web amazon de ebook treffen sich zwei knochen fit und gelenkig bis ins hohe alter das buch der gesunden gelenke pfeifer dr thomas sofort auf ihrem kindle pc tablet

treffen sich zwei knochen fit und gelenkig bis ins hohe alter - Jul 02 2022

web treffen sich zwei knochen finden sie alle bücher von dr thomas pfeifer bei der büchersuchmaschine eurobuch com können sie antiquarische und neubücher

treffen sich zwei knochen fit und gelenkig bis ins hohe alter - Dec 07 2022

web treffen sich zwei knochen fit und gelenkig bis ins hohe alter das buch der gesunden gelenke von pfeifer thomas bei abebooks de isbn 10 3864891280 isbn 13

treffen sich zwei knochen fit und gelenkig bis ins hohe alter - Nov 06 2022

web treffen sich zwei knochen fit und gelenkig bis ins hohe alter das buch der gesunden gelenke amazon com au books

treffen sich zwei knochen fit und gelenkig bis in volker - Feb 26 2022

web verbindung zwischen knochen im gelenk lösungen diese seite wird ihnen helfen alle codycross lösungen aller stufen zu finden durch die und antworten die sie auf dieser

3 klinik tanı tedavi ulusal kongresi klînik kon 2021 - Dec 27 2021

web verbindung zwischen zwei knochen mechanik in der anatomie gelenkart teil einer antriebswelle fussgelenk sehne am fussgelenk bewegliche knochenverbindung

treffen sich zwei knochen overdrive - Aug 03 2022

web treffen sich zwei knochen fit und gelenkig bis ins hohe alter das buch der gesunden gelenke german edition ebook pfeifer dr thomas amazon com au kindle store

verbindung zwischen knochen 2 lösungen mit 10 11 buchstaben - Nov 25 2021

web mar 1 2016 ebook fit und gelenkig bis ins hohe alter das buch der gesunden gelenke by dr thomas pfeifer format ebook isbn 9783864891281 author dr thomas

treffen sich zwei knochen fit und gelenkig bis ins hohe alter - Jan 08 2023

web wie kostbar die gabe ist sich schmerzfrei zu bewegen begreifen wir in der regel erst wenn es in den gelenken zwickt und schmerzt weil uns arthrose oder arthritis also

treffen sich zwei knochen fit und gelenkig bis ins hohe alter - Oct 05 2022

web wenn wir auf die welt kommen können wir fast unermüdlich unsere knochen muskeln und sehnen nutzen um erstaunliche verrenkungen auszuführen wie kostbar diese

treffen sich zwei knochen fit und gelenkig bis ins hohe alter - May 12 2023

web treffen sich zwei knochen fit und gelenkig bis ins hohe alter das buch der gesunden gelenke thomas pfeifer buch taschenbuch

[operator s manual english irishgrassmachinery ie](#) - Oct 08 2023

web zd326 eu 2 operator s manual k3173 7131 2 jan 29 2014 jul 29 2016 the language in which the manual is written english abbreviations definitions abbreviation list api

kubota zd326 parts and parts manual pdf kubota kubota - Jul 25 2022

web 19 95 factory workshop manual for kubota mower manual contains illustrations instructions diagrams for step by step remove and install assembly and

kubota zd326 manuals user guides - May 03 2023

web specifications model engine model kubota d1105 zd326hl 72 type max horsepower gross total displacement starting system diesel liquid cooled 3 cyl key switch

kubota zd326 eu workshop manual mower erepairinfo - Jun 23 2022

web kubota zd321 zd323 zd326 zd331 workshop manual pdf this workshop manual describes full service material operation technical maintenance repair procedures and

kubotabooks com - Jul 05 2023

web kubota zd326 eu 2 operator s manual brand kubota category lawn mower size 6 02 mb pages 109 this manual is also suitable for zd326 please tick the box

kubota zd326 mower service manual repair emanualonline - Mar 21 2022

web kubota zd326 eu zero turn mower workshop service repair manual pdf file service repair parts catalog operator and maintenance owner manual contain

kubota zd 331 manual pdf download manualslib - Mar 01 2023

web kubota zd326 owners service repair manuals the kubota zd 326 is a zero turn professional lawnmower with an efficient diesel engine designed to be comfortable for all

kubota zd326 zero turn mower service manual download - Sep 26 2022

web by db tractor kubota zd326 the kubota zd326 is a zero turn mower first manufactured by kubota in approx 2007 and was in production for about ten years it has proved

kubota zd326 eu 2 operator s manual pdf - Sep 07 2023

web kubota zd326 operator s manual 109 pages zero turn mower brand kubota category lawn mower size 6 02 mb table of contents 5 safe operation 21

kubota zd326 owners repair manuals emanualonline - Jan 31 2023

web this workshop manual has been prepared to provide servicing personnel with information on the mechanism service and maintenance of zd321 zd323 zd326 and zd331 it is

kubota k3178 71280 zd321 zd326 owners manual messicks - Nov 28 2022

web this kubota zd326 mower service manual is the same service manual used by professional kubota technicians this factory kubota zd326 manual is a fully indexed

kubota zd326 zero turn mower factory service repair manual - Jan 19 2022

download kubota zd326 eu 2 operator s manual manualslib - Jun 04 2023

web lawn mower kubota zd326 manuals user guides user manuals guides and specifications for your kubota zd326 lawn mower database contains 1 kubota zd326

zd321 zd323 zd326 zd331 hight quality service manual - Dec 30 2022

web kubota k3178 71280 zd321 zd326 owners manual parts hotline 877 260 3528 stock orders placed in 13 10 49 will ship today login 0 cart 0 cart kubota l series

kubota zd326 eu zero turn mower workshop repair manual - Feb 17 2022

web this is the complete official full factory service repair manual for kubota zd326 zero turn mower hundreds of pages allow you to print it out in its entirety or just the pages

kubota zd326 manuals manualslib - Aug 06 2023

web if you are looking for a manual for your kubota zero turn mower you can download the pdf file from this webpage it covers the models zd 321 326 and 331 and provides

kubota zd321 zd323 zd326 zd331 workshop manual pdf - May 23 2022

web this kubota zd326 zero turn mower workshop service manual has been prepared to provide servicing personnel with information on the mechanism service and

kubota zd326 zero turn mower service repair workshop - Apr 21 2022

web buy now file type pdf 12 80 mb preview zd321 zd323 zd326 zd331 wsm safety instructions safety first this symbol the industry s safety alert

kubota zd326 specs problems prices reviews kubota - Aug 26 2022

web in this article we will explore the kubota zd326 parts and parts manual pdf covering everything from parts diagrams to maintenance tips and common issues including

kubota zd326 zero turn mower service manual download - Oct 28 2022

web oct 2 2018 includes kubota zd326 service manual 268 pages in pdf format 17 mb pdf file in zip format for super fast downloads this factory kubota mower service

z zd326h kubota zero turn mower - Apr 02 2023

web view and download kubota zd 331 manual online zd 331 lawn mower pdf manual download

top notch 3 unit 4 p 46 pdf scribd - Sep 25 2022

web top notch 3 unit 4 p 46 docx free download as word doc doc docx pdf file pdf text file txt or read online for free

tn 3 unit 3 lesson 2 lesson 3 and lesson 4 top notch 3 unit 3 - Nov 27 2022

web top notch 3 second edition learn with flashcards games and more for free

top notch 3rd edition english language teaching pearson - Oct 27 2022

web split edition b student book workbook 9780133819236 2 060 2 266 split edition b student book with mylab access

9780133928198 2 680 2 948 top notch 3rd edition english language teaching

top notch 3 2nd edition workbook answer key pdf scribd - Apr 01 2023

web top notch 3 second edition unit 3 copyright 2011 by pearson education inc permission granted to reproduce for classroom use fworkbook answer key unit 4 note in communicative exercises where several answers are possible this answer key contains some examples of correct answers not all possible answers

unit 4 top notch 2 3rd edition cars and driving youtube - Jul 04 2023

web nov 23 2021 unit 4 top notch 2 3rd edition cars and driving welcome to top notch third edition 00 00 cs learning english

english for today s world pearson - Feb 28 2023

web level 3 level 2 level 1 fundamentals top notch third edition is aligned with the global scale of english and common european framework of reference it takes learners from cef a1 to b1 20 59 on the global scale of english each lesson guides students to a can do goal in line with the global scale of english and common

top notch 3rd edition pearson elt - Dec 29 2022

web top notch is the best choice for a fun and engaging course with the widest range of student and teacher support materials about top notch prepare your students to speak english with anyone speakers with various accents give students the opportunity to hear different types of english

top notch 3 student s book pdf 65544f811ms0 e book library - Sep 06 2023

web topic 316 library twirpx commentary 1 705 213 org file size 16 006 281 extension pdf tags Языки и языкознание Английский язык top notch summit top notch 3 student s book pdf 65544f811ms0 2nd edition pearson 2011 155 p the six level top notch program makes english unforgettable through multiple expos

top notch 3 unit 4 youtube - Aug 25 2022

web top notch 3 unit 4 andrid gonzález 161 subscribers subscribe 65 8 8k views streamed 6 months ago quizz 4 more

top notch 3 unit 4 lesson 1 recommend a book youtube - Oct 07 2023

web jan 15 2019 share 4 1k views 4 years ago top notch 3 second edition top notch book is an award winning communicative course for adults and young adults that sets new standards for

top notch 2 tests 3rd edition learning english together - Apr 20 2022

web dec 25 2017 top notch now in a third edition is a dynamic communicative course that makes english unforgettable through multiple exposures to language and systematic intensive recycling goals and achievement based lessons with can do statements enable students to confirm their progress

workbook top notch 3 second edition unit 1 note in studocu - May 22 2022

web top notch 3 second edition unit 4 note in communicative exercises where several answers are possible this answer key contains some examples of correct answers not all possible answers any valid answer in this type of exercise should be

download top notch 3 student s book pdf - May 02 2023

web report dmca download pdf top notch 3 student s book pdf 65544f811ms0 2nd edition pearson 2011 155 p the six level top notch program makes english unforgettable through multiple expos

pdf top notch 2 workbook answers unit 3 academia edu - Feb 16 2022

web top notch 2 workbook answers unit 3 top notch 2 workbook answers unit 3 as recognized adventure as competently as experience virtually lesson amusement as well as promise can be gotten by just checking out a book top notch 2 workbook answers unit 3 plus it is not directly done you could endure even more going on for this life something

top notch adult english language learning pearson languages - Jan 30 2023

web top notch helps learners develop confident fluent english language skills for socializing traveling further education and business keeping them engaged with clear practical and communicative goals in every lesson for adult learners american english print and digital 4 levels gse 20 59 cefr pre a1 b1

top notch fundamentals note in communicative - Jun 22 2022

web top notch fundamentals second edition unit 4 workbook answer key unit 4 exercise 1 2 her son 3 her daughter 4 her grandson 5 her granddaughter exercise 2 1 brother 2 mother 3 parents 4 grandfather 5 wife 6 sons children 7 father 8 grandmother 9 sister 10 grandchildren exercise 3 1 who 2 what 3 where 4 who 5 what 6 where

top notch 3 audio scripts audio digital net - Mar 20 2022

web top notch 3 unit 3 activity 1 listening comprehension a prodatablob blob core windows net documents tn 3 unit 3 activity 1 listening comprehension audio script1 pdf top notch 3 unit 3 activity 1 listening comprehension audio script audio track 1 a

you look like you re in a hurry

top notch 3 second edition workbook pages 1 50 - Aug 05 2023

web jan 27 2018 read the text version check pages 1 50 of top notch 3 second edition workbook in the flip pdf version top notch 3 second edition workbook was published by licelot espejo on 2018 01 27 find more similar flip pdfs like top notch 3 second edition workbook

top notch 3 workbook answer key top notch 3 third edition unit - Jul 24 2022

web top notch 3 third edition unit 3 exercise 7 2 haircut 3 delivery 4 dry cleaning 5 shoe repair 6 printing 7 copying exercise 8 2 her hair cut 3 his packages delivered 4 her sweater dry cleaned 5 her shoes repaired 6 his sign printed 7 more handouts copied

unit 4 top notch 3 74 plays quizizz - Jun 03 2023

web 350 plays university unit 4 top notch 3 quiz for university students find other quizzes for english and more on quizizz for free

Delve into the emotional tapestry woven by Emotional Journey with in Dive into the Emotion of **Edgestar Product Manual** . This ebook, available for download in a PDF format (Download in PDF: *), is more than just words on a page; itis a journey of connection and profound emotion. Immerse yourself in narratives that tug at your heartstrings. Download now to experience the pulse of each page and let your emotions run wild.

https://offsite.creighton.edu/files/virtual-library/Documents/how_to_make_friends_and_influence_people_pdf.pdf

https://offsite.creighton.edu/files/virtual-library/Documents/how_to_draw_a_animal_face.pdf

https://offsite.creighton.edu/files/virtual-library/Documents/how_to_doodle_patterns.pdf

Table of Contents Edgestar Product Manual

1. Understanding the eBook Edgestar Product Manual
 - The Rise of Digital Reading Edgestar Product Manual
 - Advantages of eBooks Over Traditional Books
2. Identifying Edgestar Product Manual
 - Exploring Different Genres
 - Considering Fiction vs. Non-Fiction
 - Determining Your Reading Goals
3. Choosing the Right eBook Platform
 - Popular eBook Platforms
 - Features to Look for in an Edgestar Product Manual
 - User-Friendly Interface
4. Exploring eBook Recommendations from Edgestar Product Manual
 - Personalized Recommendations

- Edgestar Product Manual User Reviews and Ratings
- Edgestar Product Manual and Bestseller Lists
- 5. Accessing Edgestar Product Manual Free and Paid eBooks
 - Edgestar Product Manual Public Domain eBooks
 - Edgestar Product Manual eBook Subscription Services
 - Edgestar Product Manual Budget-Friendly Options
- 6. Navigating Edgestar Product Manual eBook Formats
 - ePub, PDF, MOBI, and More
 - Edgestar Product Manual Compatibility with Devices
 - Edgestar Product Manual Enhanced eBook Features
- 7. Enhancing Your Reading Experience
 - Adjustable Fonts and Text Sizes of Edgestar Product Manual
 - Highlighting and Note-Taking Edgestar Product Manual
 - Interactive Elements Edgestar Product Manual
- 8. Staying Engaged with Edgestar Product Manual
 - Joining Online Reading Communities
 - Participating in Virtual Book Clubs
 - Following Authors and Publishers Edgestar Product Manual
- 9. Balancing eBooks and Physical Books Edgestar Product Manual
 - Benefits of a Digital Library
 - Creating a Diverse Reading Collection Edgestar Product Manual
- 10. Overcoming Reading Challenges
 - Dealing with Digital Eye Strain
 - Minimizing Distractions
 - Managing Screen Time
- 11. Cultivating a Reading Routine Edgestar Product Manual
 - Setting Reading Goals Edgestar Product Manual
 - Carving Out Dedicated Reading Time
- 12. Sourcing Reliable Information of Edgestar Product Manual
 - Fact-Checking eBook Content of Edgestar Product Manual

- Distinguishing Credible Sources
- 13. Promoting Lifelong Learning
 - Utilizing eBooks for Skill Development
 - Exploring Educational eBooks
- 14. Embracing eBook Trends
 - Integration of Multimedia Elements
 - Interactive and Gamified eBooks

Edgestar Product Manual Introduction

In the digital age, access to information has become easier than ever before. The ability to download Edgestar Product Manual has revolutionized the way we consume written content. Whether you are a student looking for course material, an avid reader searching for your next favorite book, or a professional seeking research papers, the option to download Edgestar Product Manual has opened up a world of possibilities. Downloading Edgestar Product Manual provides numerous advantages over physical copies of books and documents. Firstly, it is incredibly convenient. Gone are the days of carrying around heavy textbooks or bulky folders filled with papers. With the click of a button, you can gain immediate access to valuable resources on any device. This convenience allows for efficient studying, researching, and reading on the go. Moreover, the cost-effective nature of downloading Edgestar Product Manual has democratized knowledge. Traditional books and academic journals can be expensive, making it difficult for individuals with limited financial resources to access information. By offering free PDF downloads, publishers and authors are enabling a wider audience to benefit from their work. This inclusivity promotes equal opportunities for learning and personal growth. There are numerous websites and platforms where individuals can download Edgestar Product Manual. These websites range from academic databases offering research papers and journals to online libraries with an expansive collection of books from various genres. Many authors and publishers also upload their work to specific websites, granting readers access to their content without any charge. These platforms not only provide access to existing literature but also serve as an excellent platform for undiscovered authors to share their work with the world. However, it is essential to be cautious while downloading Edgestar Product Manual. Some websites may offer pirated or illegally obtained copies of copyrighted material. Engaging in such activities not only violates copyright laws but also undermines the efforts of authors, publishers, and researchers. To ensure ethical downloading, it is advisable to utilize reputable websites that prioritize the legal distribution of content. When downloading Edgestar Product Manual, users should also consider the potential security risks associated with online platforms. Malicious actors may exploit vulnerabilities in unprotected websites to distribute malware or steal personal information. To protect themselves,

individuals should ensure their devices have reliable antivirus software installed and validate the legitimacy of the websites they are downloading from. In conclusion, the ability to download Edgestar Product Manual has transformed the way we access information. With the convenience, cost-effectiveness, and accessibility it offers, free PDF downloads have become a popular choice for students, researchers, and book lovers worldwide. However, it is crucial to engage in ethical downloading practices and prioritize personal security when utilizing online platforms. By doing so, individuals can make the most of the vast array of free PDF resources available and embark on a journey of continuous learning and intellectual growth.

FAQs About Edgestar Product Manual Books

How do I know which eBook platform is the best for me? Finding the best eBook platform depends on your reading preferences and device compatibility. Research different platforms, read user reviews, and explore their features before making a choice. Are free eBooks of good quality? Yes, many reputable platforms offer high-quality free eBooks, including classics and public domain works. However, make sure to verify the source to ensure the eBook credibility. Can I read eBooks without an eReader? Absolutely! Most eBook platforms offer webbased readers or mobile apps that allow you to read eBooks on your computer, tablet, or smartphone. How do I avoid digital eye strain while reading eBooks? To prevent digital eye strain, take regular breaks, adjust the font size and background color, and ensure proper lighting while reading eBooks. What the advantage of interactive eBooks? Interactive eBooks incorporate multimedia elements, quizzes, and activities, enhancing the reader engagement and providing a more immersive learning experience. Edgestar Product Manual is one of the best book in our library for free trial. We provide copy of Edgestar Product Manual in digital format, so the resources that you find are reliable. There are also many Ebooks of related with Edgestar Product Manual. Where to download Edgestar Product Manual online for free? Are you looking for Edgestar Product Manual PDF? This is definitely going to save you time and cash in something you should think about. If you trying to find then search around for online. Without a doubt there are numerous these available and many of them have the freedom. However without doubt you receive whatever you purchase. An alternate way to get ideas is always to check another Edgestar Product Manual. This method for see exactly what may be included and adopt these ideas to your book. This site will almost certainly help you save time and effort, money and stress. If you are looking for free books then you really should consider finding to assist you try this. Several of Edgestar Product Manual are for sale to free while some are payable. If you arent sure if the books you would like to download works with for usage along with your computer, it is possible to download free trials. The free guides make it easy for someone to free access online library for download books to your device. You can get free download on free trial for lots of books categories. Our library is the biggest of these that have literally hundreds of thousands of different products categories represented. You

will also see that there are specific sites catered to different product types or categories, brands or niches related with Edgestar Product Manual. So depending on what exactly you are searching, you will be able to choose e books to suit your own need. Need to access completely for Campbell Biology Seventh Edition book? Access Ebook without any digging. And by having access to our ebook online or by storing it on your computer, you have convenient answers with Edgestar Product Manual To get started finding Edgestar Product Manual, you are right to find our website which has a comprehensive collection of books online. Our library is the biggest of these that have literally hundreds of thousands of different products represented. You will also see that there are specific sites catered to different categories or niches related with Edgestar Product Manual So depending on what exactly you are searching, you will be able to choose ebook to suit your own need. Thank you for reading Edgestar Product Manual. Maybe you have knowledge that, people have search numerous times for their favorite readings like this Edgestar Product Manual, but end up in harmful downloads. Rather than reading a good book with a cup of coffee in the afternoon, instead they juggled with some harmful bugs inside their laptop. Edgestar Product Manual is available in our book collection an online access to it is set as public so you can download it instantly. Our digital library spans in multiple locations, allowing you to get the most less latency time to download any of our books like this one. Merely said, Edgestar Product Manual is universally compatible with any devices to read.

Find Edgestar Product Manual :

how to make friends and influence people pdf

[how to draw a animal face](#)

[how to doodle patterns](#)

how to play single notes on harmonica

how to make oragami flower

[how to fill out a jsa sample](#)

[how to reverse an autoimmune disease](#)

[how to start a beauty salon business plan](#)

[how to recover from a verbally abusive relationship](#)

[how to publish your own manga](#)

how to prepare for ccrn

[how to make a bed runner](#)

[how to prepare for accuplacer math test](#)

[how to play wooden flute](#)

how to make a game on scratch jr

Edgestar Product Manual :