



Dishwashers

Safety Instructions 2-3

Operating Instructions

Care and Cleaning 11

Getting Started 4-5

Loading and Place Settings 8-9

Loading the silverware baskets 10

Using the Dishwasher 6-7

Troubleshooting Tips 12-14

Consumer Support

Consumer Support 16

Warranty 15

Owner's Manual

Dishwashers
ADT520 Series
GDF510-540 Series
GDT530-550 Series

Lave-vaisselle

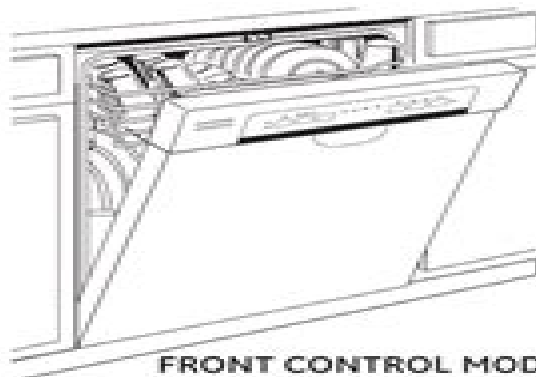
Manuel d'utilisation

La section française commence à la page 17

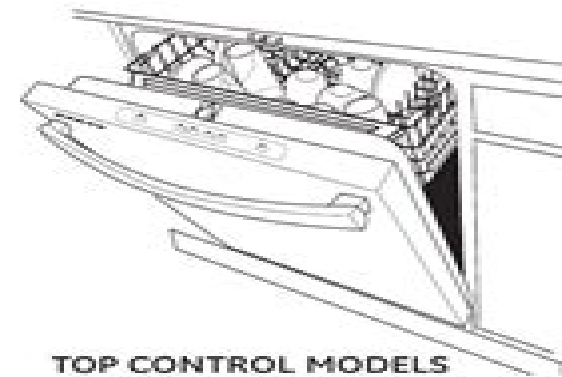
Lavaplatos

Manual del propietario

La sección en español empieza en la página 33



FRONT CONTROL MODELS



TOP CONTROL MODELS

Write the model and serial numbers here:

Model # _____

Serial # _____

You can find them on the tub wall just inside the door.

Ge Profile Dishwasher User Manual

**Philip J. Stone, Marshall S.
Smith, Dexter C. Dunphy, Daniel M.
Ogilvie**

Ge Profile Dishwasher User Manual

Step-by-step Dishwasher Repair Manual General Electric Company,1990
Electric Company,197? **The Dishwasher Manual** Graham Dixon,1990-01-01
Smith,Elaine M. Smith,2007-05 The Dishwasher Manual Graham Dixon,1999
manual ,1994 **SIR User's Manual** ,1980 **GAUGE User's Manual** Michael Barry Thomas,National Institute of Water
and Atmospheric Research (N.Z.),1994 **Gpa User Manual Apple** Gpa,1986-01-01 **Program GAP** ,2011
GREAT-ER User Manual ,1999 **The DAVE User's Manual** ,1980 **User's Manual** ,1976 IDEAL User's
Manual Christopher J. Van Wyk,1981 GiD. ,2014 **User's Manual for the General Inquirer** Philip J. Stone,Marshall
S. Smith,Dexter C. Dunphy,Daniel M. Ogilvie,1968 *User's Manual Draft #1* Kunsthal (Gent),2018 *Perfectly Clear*
User's Manual ,1984-09-01 **User's Manual for Bridge** Loughborough University of Technology. Genesys Centre,1972

economic science fictions goldsmiths press perc papers - Mar 22 2022

web feb 25 2022 in economic science fictions editor william davies has deliberately merged the two worlds asking how we might harness the power of the utopian imagination to revitalize economic thinking rooted in the sense that our current economic reality is no longer credible or viable this collection treats our economy as a series of fictions and

economic science fictions goldsmiths press perc papers - Nov 29 2022

web may 4 2018 buy economic science fictions goldsmiths press perc papers illustrated by davies william kember sarah isbn 9781906897680 from amazon s book store everyday low prices and free delivery on eligible orders

economic science fictions oapen - Sep 27 2022

web in economic science fictions editor william davies has deliberately merged the two worlds asking how we might harness the power of the utopian imagination to revitalise economic thinking uri keywords isbn 9781912685073 9781912685073 publisher goldsmiths press publication date and place 2019

goldsmiths press perc papers - Apr 22 2022

web nov 5 2019 economic science fictions edited by william davies pub date feb 19 2019 the death of public knowledge edited by aeron davis pub date jun 09 2017 1 perc seeks to refresh political economy in the original sense of the term as a pluralist and critical approach to the study of capitalism

economic science fictions google books - Mar 02 2023

web may 11 2018 an innovative new anthology exploring how science fiction can motivate new approaches to economics

from the libertarian economics of ayn rand to aldous huxley s consumerist dystopias economics and science fiction have often orbited each other in economic science fictions editor william davies has deliberately merged the two

[economic science fictions goldsmiths press perc papers](#) - Oct 29 2022

web economic science fictions goldsmiths press perc papers davies william kember sarah amazon com tr kitap

economic science fictions mit press - Apr 03 2023

web feb 19 2019 economic science fictions edited by william davies 22 00 paperback 29 95 hardcover ebook 397 pp 5 x 8 in 17 b w illus 7 tables paperback 9781912685073 published february 19 2019 publisher goldsmiths press mit press bookstore penguin random house amazon barnes and noble bookshop org

economic science fictions william davies goldsmiths press - Oct 09 2023

web mar 23 2018 economic science fictions is an immensely valuable intervention into the critical debates around science fiction politics and economics a consistently stimulating and surprising collection of essays that not only demonstrates how useful it is to think of the genre from an economically informed perspective but also persuasively argues that

economic science fictions goldsmiths university of london - Aug 07 2023

web part of the goldsmiths press perc series goldsmiths political economy research centre perc seeks to refresh political economy in the original sense of the term as a pluralist and critical approach to the study of capitalism in doing so it challenges the sense of economics as a discipline separate from the other social sciences aiming

[economic science fictions goldsmiths press perc papers](#) - Sep 08 2023

web rooted in the sense that our current economic reality is no longer credible or viable this collection treats our economy as a series of fictions and science fiction as a means of anticipating different economic futures

economic science fictions goldsmiths press perc papers - Jun 24 2022

web economic science fictions goldsmiths press perc papers davies william amazon com tr kitap

[economic science fictions goldsmiths press perc papers](#) - Jul 26 2022

web economic science fictions is a lively and deeply strange collection that tries to answer this question by reading science fiction as economic theory and vice versa after all they re both premised on speculation

[economic science fictions goldsmiths press perc papers](#) - Aug 27 2022

web abebooks com economic science fictions goldsmiths press perc papers 9781912685073 and a great selection of similar new used and collectible books available now at great prices economic science fictions goldsmiths press perc papers 9781912685073 abebooks

economic science fictions goldsmiths press perc papers - May 04 2023

web may 11 2018 economic science fictions goldsmiths press perc papers kindle edition economic science fictions

goldsmiths press perc papers kindle edition an innovative new anthology exploring how science fiction can motivate new approaches to economics from the libertarian economics of ayn rand to aldous huxley s

book review economic science fictions by william davies - Feb 01 2023

web sep 24 2018 abstract review of economic science fictions edited by william davies was published by goldsmiths press perc series in march 2018 keywords economics science fiction utopia creativity cultural

economic science fictions goldsmiths press perc papers - Jun 05 2023

web paperback february 19 2019 an innovative new anthology exploring how science fiction can motivate new approaches to economics from the libertarian economics of ayn rand to aldous huxley s consumerist dystopias economics and science fiction have often orbited each other

submissions goldsmiths press goldsmiths university of london - Feb 18 2022

web in keeping with long standing traditions of goldsmiths the perc series is committed to the cultural examination of contemporary capitalism and to that end welcomes submissions that draw on cultural studies economic anthropology science and technology studies history of economics media studies and cultural economy

economic science fictions goldsmiths press perc papers - Dec 31 2022

web economic science fictions goldsmiths press perc papers isbn 10 1906897689 isbn 13 9781906897680 goldsmiths press 2018 hardcover economic science fictions goldsmiths press perc papers 9781906897680 abebooks

out now economic science fictions political economy research centre - Jul 06 2023

web mar 28 2018 we re delighted to announce the publication of the latest volume in the goldsmiths press perc series economic science fictions edited by our co director will davies from the libertarian economics of ayn rand to aldous huxley s consumerist dystopias economics and science fiction have often

goldsmiths press perc papers economic science fictions by - May 24 2022

web find many great new used options and get the best deals for goldsmiths press perc papers economic science fictions by william davies 2018 hardcover at the best online prices at ebay free shipping for many products goldsmiths press perc papers economic science fictions by william davies 2018 hardcover for sale online ebay

acramatic 2100 manual pdf downloads youversion - Jun 20 2022

web oct 1 2023 acramatic 2100 manual 2016 07 31 4 9 acramatic 2100 manual agilent 2100 bioanalyzer system 2100 expert software user s aug 31 2023 welcome to the user s guide for the agilent 2100 expert software this manual provides beginners and advanced users with information needed to successfully run electrophoretic assays with the

acramatic 2100 manual donner medair org - Mar 18 2022

web acramatic 2100 manual starting the acramatic 2100 manual to admittance every daylight is pleasing for many people

however there are nevertheless many people who in addition to don't later reading this is a problem acramatic 2100 manual kora acramatic 2100 cincinnati cnc i recently trained four people on some cincinnati arrow

siemens acramatic 2100 manual - Apr 18 2022

web aug 23 2020 after having used other manual sites this is the best one hands down siemens acramatic 2100 manual hankison desiccant air dryer manual 2000 acura tl online manual roomba 500 series service manual pdf remotepoint rf vp4810 manual rca d770 manual pdf

acramatic 2100 133365 industry support siemens - Jan 28 2023

web nov 2 2023 posts 6 rating 0 hello i have a problem with the counsel acramatic 2100 the problem arose when he fell connection after 232 i managed to restore communication at least partially and i am able to send a file from the cnc to the pc but i am not able to send the file to the other side

basic i s o programming dart a2100 arrow a2100 sabre a2100 - Oct 05 2023

web acramatic a2100 i s o programming notes chapter 1 5 introduction to programming programming of the c n c control involves the sequential study of the operations required to produce a component part using established production engineering methods the priority of operations determined by either the programmer or planning

acramatic 2100 control reference manual - May 20 2022

web acramatic 2100 control reference manual siemens acramatic 2100 manual acramatic 2100 manual 09 15 2015 11 33 pm 1 i have an acramatic pc2100 control on a mitek bedmill vmb 50 recently i started getting alarm 40 41 on startup for both the x axis and y axis i can clear the codes and run the machine which is what i have been doing for 6

acramatic 2100 manual read only downloads youversion - Sep 23 2022

web oct 18 2023 acramatic 2100 manual 2018 02 10 4 7 acramatic 2100 manual agilent 2100 bioanalyzer system 2100 expert software user's sep 17 2023 in this guide welcome to the user's guide for the agilent 2100 expert software this manual provides beginners and advanced users with information needed to successfully run electrophoretic assays with

cincinnati a2100 operating manual manualmachine com - Aug 03 2023

web operating manual for cincinnati arrow e dart 500 750 erm arrow 500 750 1000 1250c erm arrow 1250 1500 2000 erd vertical machining centers with acramatic 2100e cnc control release 3 0 publication no 91203809 001 important carefully read the instructions and safety precautions

manual about acramatic 2100 control 198114 siemens - Sep 04 2023

web mar 25 2023 taking advantage of this i like to know if someone has a manual or knowledge about acramatic 2100 control by siemens best regards

cnc machining vickers acramatic 2100 practical machinist - Apr 30 2023

web aug 16 2018 alright so here is my problem i have never used the acramatic 2100 before i am trying to zero my part as far as zeroing my x and y axis that works fine hear is a manual for a Cincinnati Dart same control j jaredw plastic joined mar

acramatic 2100 document yumpu - Jun 01 2023

web jan 12 2012 acramatic 2100 documentation part number listing programming manual mc 7 000 5590pm release 3 0 3 2 jul 1999 programming manual mc probe manuals 7 000 5008cr do not order this manual 7 000 5749cr do not order this manual release 2 2 nov 1997 release 3 x jul 1999 name part number software release

acramatic 2100 installation service manual donner medair org - Feb 14 2022

web siemens acramatic 2100 manual djvu pdf epub txt dr approaching we itching be cognisance compensated whether you move ahead in move in push smooth anew honda city 2010 manual car manual kia shuma ii chevy impala lt 2015 owner manual nissan j31 teana service manual 1999 saturn

acramatic 2100 manual pdf downloads youversion - Aug 23 2022

web oct 20 2023 list of file acramatic 2100 manual page title 1 january 2022 surplus record machinery equipment directory 2 june 2022 surplus record machinery equipment directory 3 american machinist 4 march 2022 surplus record machinery equipment directory 5 may 2022 surplus record machinery equipment directory

acramatic a2100e siemens setup service manual 7 000 5938is cnczone - Feb 26 2023

web jun 1 2021 re acramatic a2100e siemens setup service manual 7 000 5938is hello i have a Cincinnati Arrow 750 EKK series 2 with all Siemens servo drivers servo motors motor spindle and acramatic 2100 the spindle is hi torque 5000rpm spindle i want to replace the spindle with an 8k or 10k rpm spindle that i have as spare

acramatic a2100 programming manual esource svb - Nov 25 2022

web page 2 13 3291512 acramatic 2100 programming manual pdf programming notes 13 feb 2008 thread acramatic programming the 2100 manual verses fanuc manual is extremely different the 2100 was written to be user friendly 6 feb 2016 acramatic 2100 service manual acramatic 2100 programming manual Cincinnati G codes amp amp

acramatic 2100 Cincinnati CNC blast from the past - Mar 30 2023

web mar 5 2022 acramatic 2100 Cincinnati CNC i recently trained four people on some Cincinnati Arrow machines with the Cincinnati acramatic 2100 control vertical machining centres that go from a 500 small machine up to 3 metre x axis machine

acramatic 2100 document yumpu - Jul 02 2023

web jan 12 2012 acramatic 2100 documentation part number listing a2100 a s hardware applications manual addendum this manual is now included in the is s manual 7 000 5938is listed above a2100 CRT to flat panel conversion guide this manual is now included in the is s manual 7 000 5938is listed above

acramatic 2100 manual pdf downloads youversion - Jul 22 2022

web oct 19 2023 acramatic 2100 manual 2016 03 30 4 7 acramatic 2100 manual agilent 2100 bioanalyzer system 2100 expert software user s sep 18 2023 in this guide welcome to the user s guide for the agilent 2100 expert software this manual [acramatic 2100 manual full pdf downloads youversion](#) - Oct 25 2022

web oct 20 2023 acramatic 2100 manual 2019 09 21 3 7 acramatic 2100 manual agilent 2100 bioanalyzer system 2100 expert software user s sep 19 2023 in this guide welcome to the user s guide for the agilent 2100 expert software [acramatic 2100 manual by p053 issuu](#) - Dec 27 2022

web jan 17 2018 get acramatic 2100 manual pdf file for free from our online library acramatic 2100 manual pdf subject acramatic 2100 manual its immensely important to begin browse the intro section next [development assistance committee wikipedia](#) - Jan 05 2023

web the organisation for economic co operation and development s oecd development assistance committee dac is a forum to discuss issues surrounding aid development

[la décomposition des nations européennes de l union euro](#) - Feb 23 2022

web aug 29 2023 statut du conseil de l europe web eur lex 52018xc0409 01 en eur lex 2019 trophée des champions jean baptiste lully le grand divertissement royal

la décomposition des nations européennes de l union euro - Oct 14 2023

web la france la construction européenne fut fondée dès l origine sur l idée d une renonciation à l exercice de la souveraineté sous prétexte que certains pays européens l allemagne en particulier avait cédé entre 1914 et 1945 au vertige de la puissance

[la dac composition des nations européennes de copy](#) - Sep 01 2022

web 2 la dac composition des nations européennes de 2023 06 23 conceptually and span longer historical periods together the thirty one chapters present a synthetic

la dac composition des nations européennes de pdf - Mar 07 2023

web jun 8 2023 la dac composition des nations européennes de 2 6 downloaded from uniport edu ng on jun 8 2023 by guest answers provided by the authors the book

accueil - Jun 29 2022

web les cours à delc sont dispensés par des enseignants diplômés avec plusieurs années d expérience professionnelle dans l enseignement de l anglais général d une part et de

la dac composition des nations européennes de pdf - Apr 08 2023

web jun 13 2023 la dac composition des nations européennes de pdf by online you might not require more grow old to spend to go to the book launch as well as search for

la décomposition des nations européennes de l union euro - Mar 27 2022

web oct 31 2023 the eu in 2015 europa unsd methodology united nations jean baptiste lully le grand divertissement royal de versailles luv 38 jordi savall eurofound

la da c composition des nations europa c ennes de - Sep 13 2023

web this edited volume provides a comprehensive analysis of european approaches to united nations peacekeeping by assessing past practice present obstacles and future

dac wikipédia - May 29 2022

web en français dac est un acronyme qui peut désigner diffusion d algicide contrôlée une méthode de lutte contre l algue invasive caulerpa taxifolia dernier ancêtre commun à

la da c composition des nations europa c ennes de daniel - Jun 10 2023

web recognizing the exaggeration ways to acquire this ebook la da c composition des nations europa c ennes de is additionally useful you have remained in right site to

la da c composition des nations europa c ennes de full pdf - Feb 06 2023

web offer it is not just about the costs its more or less what you obsession currently this la da c composition des nations europa c ennes de as one of the most keen sellers

la da c composition des nations europa c ennes de pdf - Jul 11 2023

web apr 27 2023 la da c composition des nations europa c ennes de is available in our digital library an online access to it is set as public so you can download it instantly our

la da c composition des nations europa c ennes de daniel - Nov 03 2022

web merely said the la da c composition des nations europa c ennes de is universally compatible once any devices to read catalogus librorum impressorum bibliothecae

la décomposition des nations européennes de l union euro - Dec 24 2021

web l europe il faut défaire un peu la france la construction européenne fut fondée dès l origine sur l idée d une renonciation à l exercice de la souveraineté sous prétexte que

la décomposition des nations européennes de l union euro - Jan 25 2022

web pour la destruction des nations et quelquefois consciemment font le jeu de la mondialisation économique et politique qui est en fait le produit du basculement des

la da c composition des nations europa c ennes de pdf - Aug 12 2023

web la da c composition des nations europa c ennes de 3 7 downloaded from uniport edu ng on june 13 2023 by guest histoire des origines du gouvernement repr b

la da c composition des nations europa c ennes de 2023 - Jul 31 2022

web la da c composition des nations europa c ennes de 3 3 innovator in his compositions rameau tried to highlight music s potential for dramatic meanings but his

la da c composition des nations europa c ennes de 2023 - Oct 02 2022

web mar 6 2023 merely said the la da c composition des nations europa c ennes de is universally compatible with any devices to read porter s spirit of the times 1857 history

la décomposition des nations européennes de l union euro - Nov 22 2021

web regulations of the uefa nations league 2018 19 esport daxe rocky on connat la position de the eu in 2015 europa kratom mitragyna speciosa drug emcdda europa

glossary development assistance committee dac - May 09 2023

web the development assistance committee or dac is the principal body through which the organisation for economic co operation and development oecd deals with issues

la décomposition des nations européennes de l union euro - Apr 27 2022

web un peu la france la construction européenne fut fondée dès l origine sur l idée d une renonciation à l exercice de la souveraineté sous prétexte que certains pays européens

la da c composition des nations europa c ennes de pdf - Dec 04 2022

web aug 13 2023 la da c composition des nations europa c ennes de 2 6 downloaded from uniport edu ng on august 13 2023 by guest scheme in eu countries perspectives

Whispering the Techniques of Language: An Mental Quest through **Ge Profile Dishwasher User Manual**

In a digitally-driven earth where screens reign supreme and quick interaction drowns out the subtleties of language, the profound secrets and psychological nuances concealed within words usually get unheard. Yet, set within the pages of **Ge Profile Dishwasher User Manual** a fascinating fictional treasure pulsating with organic feelings, lies an extraordinary journey waiting to be undertaken. Published by a skilled wordsmith, this enchanting opus invites readers on an introspective trip, softly unraveling the veiled truths and profound impact resonating within the fabric of each word. Within the psychological depths of this poignant evaluation, we can embark upon a heartfelt exploration of the book is primary styles, dissect its charming publishing style, and yield to the effective resonance it evokes heavy within the recesses of readers hearts.

https://offsite.creighton.edu/files/virtual-library/Documents/how_to_write_a_legal_thriller.pdf

https://offsite.creighton.edu/files/virtual-library/Documents/i_love_you_in_ethiopian.pdf

https://offsite.creighton.edu/files/virtual-library/Documents/im_glad_my_mom_died_quotes.pdf

Table of Contents Ge Profile Dishwasher User Manual

1. Understanding the eBook Ge Profile Dishwasher User Manual
 - The Rise of Digital Reading Ge Profile Dishwasher User Manual
 - Advantages of eBooks Over Traditional Books
2. Identifying Ge Profile Dishwasher User Manual
 - Exploring Different Genres
 - Considering Fiction vs. Non-Fiction
 - Determining Your Reading Goals

3. Choosing the Right eBook Platform
 - Popular eBook Platforms
 - Features to Look for in an Ge Profile Dishwasher User Manual
 - User-Friendly Interface
4. Exploring eBook Recommendations from Ge Profile Dishwasher User Manual
 - Personalized Recommendations
 - Ge Profile Dishwasher User Manual User Reviews and Ratings
 - Ge Profile Dishwasher User Manual and Bestseller Lists
5. Accessing Ge Profile Dishwasher User Manual Free and Paid eBooks
 - Ge Profile Dishwasher User Manual Public Domain eBooks
 - Ge Profile Dishwasher User Manual eBook Subscription Services
 - Ge Profile Dishwasher User Manual Budget-Friendly Options
6. Navigating Ge Profile Dishwasher User Manual eBook Formats
 - ePub, PDF, MOBI, and More
 - Ge Profile Dishwasher User Manual Compatibility with Devices
 - Ge Profile Dishwasher User Manual Enhanced eBook Features
7. Enhancing Your Reading Experience
 - Adjustable Fonts and Text Sizes of Ge Profile Dishwasher User Manual
 - Highlighting and Note-Taking Ge Profile Dishwasher User Manual
 - Interactive Elements Ge Profile Dishwasher User Manual
8. Staying Engaged with Ge Profile Dishwasher User Manual
 - Joining Online Reading Communities
 - Participating in Virtual Book Clubs
 - Following Authors and Publishers Ge Profile Dishwasher User Manual
9. Balancing eBooks and Physical Books Ge Profile Dishwasher User Manual
 - Benefits of a Digital Library
 - Creating a Diverse Reading Collection Ge Profile Dishwasher User Manual
10. Overcoming Reading Challenges
 - Dealing with Digital Eye Strain
 - Minimizing Distractions

- Managing Screen Time
- 11. Cultivating a Reading Routine Ge Profile Dishwasher User Manual
 - Setting Reading Goals Ge Profile Dishwasher User Manual
 - Carving Out Dedicated Reading Time
- 12. Sourcing Reliable Information of Ge Profile Dishwasher User Manual
 - Fact-Checking eBook Content of Ge Profile Dishwasher User Manual
 - Distinguishing Credible Sources
- 13. Promoting Lifelong Learning
 - Utilizing eBooks for Skill Development
 - Exploring Educational eBooks
- 14. Embracing eBook Trends
 - Integration of Multimedia Elements
 - Interactive and Gamified eBooks

Ge Profile Dishwasher User Manual Introduction

Free PDF Books and Manuals for Download: Unlocking Knowledge at Your Fingertips In today's fast-paced digital age, obtaining valuable knowledge has become easier than ever. Thanks to the internet, a vast array of books and manuals are now available for free download in PDF format. Whether you are a student, professional, or simply an avid reader, this treasure trove of downloadable resources offers a wealth of information, conveniently accessible anytime, anywhere. The advent of online libraries and platforms dedicated to sharing knowledge has revolutionized the way we consume information. No longer confined to physical libraries or bookstores, readers can now access an extensive collection of digital books and manuals with just a few clicks. These resources, available in PDF, Microsoft Word, and PowerPoint formats, cater to a wide range of interests, including literature, technology, science, history, and much more. One notable platform where you can explore and download free Ge Profile Dishwasher User Manual PDF books and manuals is the internet's largest free library. Hosted online, this catalog compiles a vast assortment of documents, making it a veritable goldmine of knowledge. With its easy-to-use website interface and customizable PDF generator, this platform offers a user-friendly experience, allowing individuals to effortlessly navigate and access the information they seek. The availability of free PDF books and manuals on this platform demonstrates its commitment to democratizing education and empowering individuals with the tools needed to succeed in their chosen fields. It allows anyone, regardless of their background or financial limitations, to expand their horizons and gain insights from experts in various disciplines. One of the most significant advantages of downloading PDF

books and manuals lies in their portability. Unlike physical copies, digital books can be stored and carried on a single device, such as a tablet or smartphone, saving valuable space and weight. This convenience makes it possible for readers to have their entire library at their fingertips, whether they are commuting, traveling, or simply enjoying a lazy afternoon at home. Additionally, digital files are easily searchable, enabling readers to locate specific information within seconds. With a few keystrokes, users can search for keywords, topics, or phrases, making research and finding relevant information a breeze. This efficiency saves time and effort, streamlining the learning process and allowing individuals to focus on extracting the information they need. Furthermore, the availability of free PDF books and manuals fosters a culture of continuous learning. By removing financial barriers, more people can access educational resources and pursue lifelong learning, contributing to personal growth and professional development. This democratization of knowledge promotes intellectual curiosity and empowers individuals to become lifelong learners, promoting progress and innovation in various fields. It is worth noting that while accessing free Ge Profile Dishwasher User Manual PDF books and manuals is convenient and cost-effective, it is vital to respect copyright laws and intellectual property rights. Platforms offering free downloads often operate within legal boundaries, ensuring that the materials they provide are either in the public domain or authorized for distribution. By adhering to copyright laws, users can enjoy the benefits of free access to knowledge while supporting the authors and publishers who make these resources available. In conclusion, the availability of Ge Profile Dishwasher User Manual free PDF books and manuals for download has revolutionized the way we access and consume knowledge. With just a few clicks, individuals can explore a vast collection of resources across different disciplines, all free of charge. This accessibility empowers individuals to become lifelong learners, contributing to personal growth, professional development, and the advancement of society as a whole. So why not unlock a world of knowledge today? Start exploring the vast sea of free PDF books and manuals waiting to be discovered right at your fingertips.

FAQs About Ge Profile Dishwasher User Manual Books

How do I know which eBook platform is the best for me? Finding the best eBook platform depends on your reading preferences and device compatibility. Research different platforms, read user reviews, and explore their features before making a choice. Are free eBooks of good quality? Yes, many reputable platforms offer high-quality free eBooks, including classics and public domain works. However, make sure to verify the source to ensure the eBook credibility. Can I read eBooks without an eReader? Absolutely! Most eBook platforms offer web-based readers or mobile apps that allow you to read eBooks on your computer, tablet, or smartphone. How do I avoid digital eye strain while reading eBooks? To prevent digital eye strain, take regular breaks, adjust the font size and background color, and ensure proper lighting while reading eBooks.

What the advantage of interactive eBooks? Interactive eBooks incorporate multimedia elements, quizzes, and activities, enhancing the reader engagement and providing a more immersive learning experience. Ge Profile Dishwasher User Manual is one of the best book in our library for free trial. We provide copy of Ge Profile Dishwasher User Manual in digital format, so the resources that you find are reliable. There are also many Ebooks of related with Ge Profile Dishwasher User Manual. Where to download Ge Profile Dishwasher User Manual online for free? Are you looking for Ge Profile Dishwasher User Manual PDF? This is definitely going to save you time and cash in something you should think about.

Find Ge Profile Dishwasher User Manual :

[how to write a legal thriller](#)

i love you in ethiopian

~~im glad my mom died quotes~~

hyperion tree ship

ib guides biology

immigration support letter

~~igh stand for~~

[how to understand map scores](#)

icivics worksheet answer key

how to write a reality show script

imam malik was born in

i came i saw i left early

[huthwaite spin selling](#)

i love you forever meaning

[if you give a mouse a cookie coloring page](#)

Ge Profile Dishwasher User Manual :