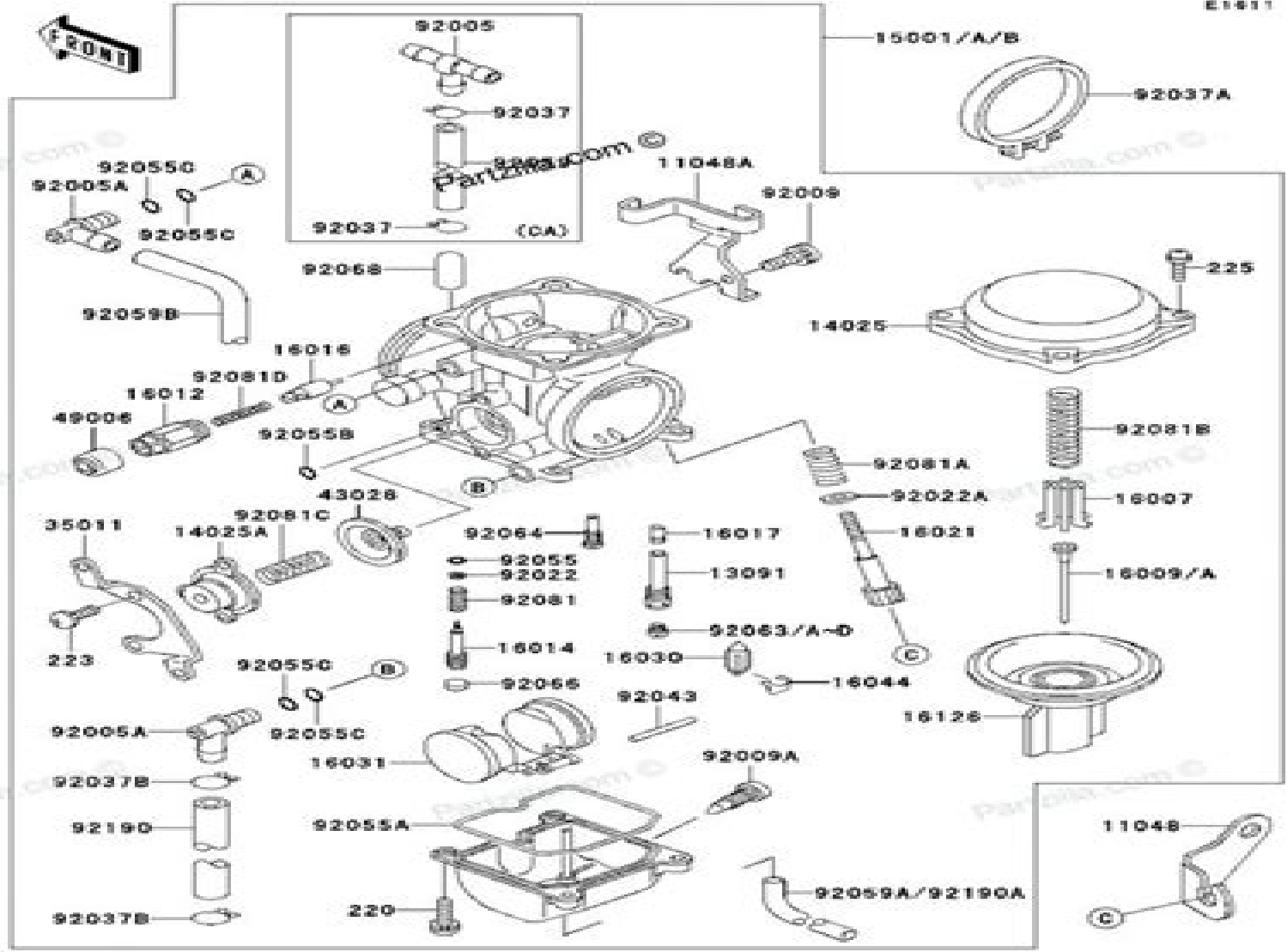


FRONT



Kawasaki Small Gas Engine Parts

E. F. Lindsley, Ef Lindsley



Kawasaki Small Gas Engine Parts

Club Car / Kawasaki 4-Stroke Air-Cooled Engines 1984 - 2013 Brad Porcellato,2019-12-30 Includes Tool List
General Information Engine Rotation CW vs CCW Engine Disassembly FE Series FE Series Torque and Bore Specs FE Series Performance Jetting 22mm Mikuni Timing Advance Keys Flywheel Lightening Cylinder Head Milling Porting Cam Timing Building the 325cc Big Bore FE290 and CW Removal FE Series Repairs Remote Oil Cooler Bolted Cam Gear FE400 Smoke fix Exhaust Guide Repair Link Arm Bushing Replacement Cylinder Assembly and Piston Orientation FE Series Assembly KF82 General Information KF82 Torque Specs KF82 Disassembly KF82 Measurement Inspection KF82 Assembly KF82 Pictures for Reference KF82 FE290 FE400 Ignition Testing KF82 FE290 FE400 Parts Reference 1997 2013 Club Car Gas Transaxle 1997 2013 CC Gas Type K HS Gear Installation 1997 2013 CC Gas Type K Posi Shims 1997 13 CC Gas Transaxle Pictures for Reference and more Also includes 1997 2013 Club Car Kawasaki Gas Transaxle Rebuild Hi Speed Gear Installation [The History of North American Small Gas Turbine Aircraft Engines](#) Richard A. Leyes,William A. Fleming,1999 This landmark joint publication between the National Air and Space Museum and the American Institute of Aeronautics and Astronautics chronicles the evolution of the small gas turbine engine through its comprehensive study of a major aerospace industry Drawing on in depth interviews with pioneers current project engineers and company managers engineering papers published by the manufacturers and the tremendous document and artifact collections at the National Air and Space Museum the book captures and memorializes small engine development from its earliest stage Leyes and Fleming leap back nearly 50 years for a first look at small gas turbine engine development and the seven major corporations that dared to produce market and distribute the products that contributed to major improvements and uses of a wide spectrum of aircraft In non technical language the book illustrates the broad reaching influence of small turbinesfrom commercial and executive aircraft to helicopters and missiles deployed in recent military engagements Detailed corporate histories and photographs paint a clear historical picture of turbine development up to the present See for yourself why [The History of North American Small Gas Turbine Aircraft Engines](#) is the most definitive reference book in its field The publication of [The History of North American Small Gas Turbine Aircraft Engines](#) represents an important milestone for the National Air and Space Museum NASM and the American Institute of Aeronautics and Astronautics AIAA For the first time there is an authoritative study of small gas turbine engines arguably one of the most significant spheres of aeronautical technology in the second half of the 20th century **Kawasaki KX60 1983-2002 & KX80 1983-1990** Penton Staff,2000-05-24 KX60 1983 2002 KX80 1983 1990 **Small Engine Repair** United States. Office of Education,1969 [How to Service and Repair Small Gas Engines](#) E. F. Lindsley,Ef Lindsley,1991-08 Contains pictures and diagrams **Kawasaki Parts Catalogue** Kawasaki Jūkōgyō Kabushiki Kaisha. Motorcycle Division,1971 **Small Gas Engines** Paul Weissler,1975 The operation servicing troubleshooting adjustment

and care of two cycle and four cycle engines for lawn mowers chain saws and snow blowers are explained and illustrated with step by step photographs and diagrams

Small Gas Engine Repair Paul Dempsey,2008-05-08 SAVE MONEY BY HANDLING YOUR OWN SMALL GAS ENGINE MAINTENANCE OR REPAIR JOBS The Third Edition of Small Gas Engine Repair shows you how to troubleshoot and repair virtually any type of small gas engine used in garden equipment chain saws pumps and standby generators Completely revised and updated and offering a step by step approach this bestseller covers all you need to know to repair and maintain a small gas engine and get professional results while saving money This in depth guide by master mechanic Paul Dempsey includes the latest in small engine technology and gives you up to date information on overhead valve and overhead cam engines carburetion advances digital ignition systems and more Dempsey explains how to troubleshoot and repair both two and four cycle engines The author also reveals the shortcuts field fixes and other tricks of the trade that only working mechanics know In this Third Edition you ll find New information on float type and diaphragm carburetors The latest ignition systems together with advances in pollution control devices More than 50% new material added INSIDE THIS GAS ENGINE REPAIR GUIDE Basics Troubleshooting Ignition Systems Fuel System Rewind Starters Electrical System Engine Mechanical not a major section addressed only briefly in this book

Small Gasoline Engines George E. Stephenson,1978 *Care and Operation, List of Parts, Model W28 Gasoline Engine* ,19?? *All about Small Gas Engines* Judson Alfred Purvis,1960

Small Gas Engine Repair, Fourth Edition Paul Dempsey,2017-05-26 Publisher s Note Products purchased from Third Party sellers are not guaranteed by the publisher for quality authenticity or access to any online entitlements included with the product Save money by performing your own small engine maintenance and repair jobs Fully updated to reflect the latest technologies this best selling guide shows how to troubleshoot and repair the engines found in household devices including lawnmowers garden tractors portable generators and handheld tools Written by a master mechanic Small Gas Engine Repair Fourth Edition provides easy to follow fully illustrated instructions for complicated diagnostic and repair procedures The book suggests money saving alternatives to expensive factory tools and overpriced replacement parts You will gain access to valuable Internet resources as well as shortcuts field fixes and other tricks of the trade that working mechanics use on the job You ll find coverage of Basics Troubleshooting Ignition and related systems Fuel systems Rewind starters Electrical systems Engine mechanical Two and four cycle engines Diaphragm carburetors Electronic fuel injection And much more

Kawasaki Aircraft Industries Company, Inc. (Kawasaki Kokuki Kogyo Kabushiki Kaisha) United States Strategic Bombing Survey. Aircraft Division,1947 *Kawasaki Vulcan 800 & Classic 95-05* Penton Staff,2000-05-24 VN800A 1995 2005 VN800B 1996 2005

Kawasaki ZX& Ninja 91-98 Penton Staff,2000-05-24 ZX 7 J1 J2 U S Canada U K 1991 1992 ZX 7R K1 K2 U S Canada U K 1991 1992 ZX 7 L1 L2 L3 U S Canada U K 1993 1995 ZX 7R M1 M2 U S Canada U K 1993 1994 ZX 7RR N1 U S Canada U K 1996 ZX 7R P1 P2 P3 U S Canada

Corporation Report ...: Kawasaki Aircraft Industries Company. Airframes and engines United States Strategic Bombing Survey,1947 How

[to Repair Small Gasoline Engines](#) Paul Dempsey,1972 **Kawasaki Ninja ZX900-1100** Penton Staff,2000-05-24 ZX900 A1 A3 1984 1986 ZX1000 A1 A2 1986 1987 ZX1000 ZX 10 B1 B3 1988 1990 ZX1100 C1 C4 1990 1993 ZX1100 ZX 11 D1 D9 1993 2001 **Engine Parts** Duly & Hansford,1956 *American Motorcyclist* ,2007-09 American Motorcyclist magazine the official journal of the American Motorcyclist Association tells the stories of the people who make motorcycling the sport that it is It s available monthly to AMA members Become a part of the largest most diverse and most enthusiastic group of riders in the country by visiting our website or calling 800 AMA JOIN

[sisterhood is forever the women s anthology for a test thelyst](#) - Feb 05 2022

web sisterhood is forever the women s anthology for a is available in our book collection an online access to it is set as public so you can get it instantly our digital library hosts in multiple countries allowing you to get the most less latency time to download any of our books like this one

sisterhood is forever the women s anthology for a new - Jun 21 2023

web nov 1 2007 sisterhood is forever the women s anthology for a new millennium user review not available book verdict celebrated author and activist morgan compiles her third anthology of feminist

sisterhood is forever wikiwand - May 08 2022

web it has more than fifty women contributing sixty original essays written specifically for it 1 2 it is the follow up anthology to sisterhood is global the international women s movement anthology which itself is the follow up to sisterhood is powerful an anthology of writings from the women s liberation movement 3

pdf sisterhood is forever the women s anthology for a - Jul 22 2023

web oct 26 2022 brief summary of book sisterhood is forever the women s anthology for a new millennium by robin morgan here is a quick description and cover image of book sisterhood is forever the women s anthology for a new millennium written by robin morgan which was published in 2003 3 5

sisterhood is forever the women s anthology for a new millennium - Dec 15 2022

web mar 5 2003 sisterhood is forever with over 60 original essays morgan commissioned from well known feminist leaders plus energetic gen x and y activists is a composite mural of the female experience in america where we ve been where we

sisterhood is forever the women s anthology for a new - Jul 10 2022

web sisterhood is forever with over 60 original essays morgan commissioned from well known feminist leaders plus energetic gen x and y activists is a composite mural of the female

pdf sisterhood researchgate - Aug 11 2022

web apr 1 2016 sisterhood is forever the women s anthology for a new millennium book jan 2007 r morgan view sisterhood

is global the international women s movement anthology article jan 1986 ellen kay
[sisterhood is forever the women s anthology for a new](#) - Apr 07 2022

web sisterhood is forever the women s anthology for a new millennium the women s anthology for the new millennium
morgan robin amazon es libros

sisterhood is powerful wikipedia - Sep 12 2022

web sisterhood is powerful an anthology of writings from the women s liberation movement is a 1970 anthology of feminist writings edited by robin morgan a feminist poet and founding member of new york radical women 1 it is one of the first widely available anthologies of second wave feminism

sisterhood is forever the women s anthology for a new - Apr 19 2023

web english follow up to sisterhood is powerful with over 60 original essays commissioned from well known feminist leaders as well as gen x y activists this is a composite look at the female experience in america charting where we ve been where we are and where we re going committed to retain

get sisterhood is forever the womens anthology for a new - Oct 13 2022

web robin morgan 9780743466271 sisterhood is forever the women s anthology for a new millennium sisterhood is forever the womens anthology for a new millennium 1st edition non fiction books american anthologies books edited by robin morgan english language books radical feminist books second wave feminism view full

[sisterhood is forever the women s anthology for a new](#) - Jan 16 2023

web mar 5 2003 read 11 reviews from the world s largest community for readers thirty years after robin morgan s groundbreaking anthology sisterhood is powerful named sisterhood is forever the women s anthology for a new millennium by robin morgan

[sisterhood is forever the women s anthology for a askstage](#) - Jan 04 2022

web if you ally craving such a referred sisterhood is forever the women s anthology for a ebook that will come up with the money for you worth acquire the enormously best seller from us currently from several preferred authors

sisterhood is forever robin morgan author activist feminist nyc - Mar 18 2023

web robin morgan washington square press simon schuster 2003 buy the book at amazon the long awaited follow up book to morgan s groundbreaking anthology sisterhood is powerful and her major international collection sisterhood is global a more than worthy successor feminist com

sisterhood is forever the women s anthology for a new - Nov 14 2022

web sisterhood is forever the women s anthology for a new millennium washington square 18 512pp isbn 978 0 7434 6627 1 this book the third in an anthology series on women s history

sisterhood is forever the women s anthology for a new - Jun 09 2022

web sisterhood is forever is an anthology which details the importance humanity and politics behind modern feminism it is an important book but it also falls into the age old feminist rhetoric of depicting the female experience as a long series of victimization to me this seems unbalanced

sisterhood is forever the women s anthology for the new - Mar 06 2022

web sisterhood is forever the women s anthology for the new millennium by morgan at abebooks co uk isbn 10 0743466276 isbn 13 9780743466271 simon schuster 2003 softcover

sisterhood is forever wikipedia - Aug 23 2023

web sisterhood is forever the women s anthology for a new millennium is a 2003 anthology of feminist writings edited by robin morgan it has more than fifty women contributing sixty original essays written specifically for it

sisterhood is forever the women s anthology for a new millennium - May 20 2023

web mar 5 2003 amazon com sisterhood is forever the women s anthology for a new millennium 9780743466271 morgan robin books

sisterhood is forever the women s anthology for a new millennium - Feb 17 2023

web nov 1 2007 sisterhood is forever with over 60 original essays morgan commissioned from well known feminist leaders plus energetic gen x and y activists is a composite mural of the female experience in america where we ve been where we

metric system challenge conversion worksheet with answer - Dec 06 2022

web view download and print metric system challenge conversion worksheet with answer key pdf template or form online 73 conversion worksheet templates are collected for

the science spot metric mania conversion practice basic unit - Oct 04 2022

web my metric unit contain labs on length crowd mass density and temperature as well how conversions metric at meter and metric toward english students had many time to use leiter triple beam scales and other science equipment to get how to using the metric system of measurements example 1 length

biology a metric system challenge flashcards quizlet - May 11 2023

web 1 21 flashcards learn test match q chat created by denise mundo terms in this set 21 digital scale instrument used to find mass meter metric unit for length volume the

metric system challenge name science spot - Aug 14 2023

web answer key for metric system challenge 1 triple beam balance 2 meter 3 volume 4 gravity 5 gram 6 graduated cylinder 7 density 8 centimeter 9 newton 10 liter 11

metric mania mass answer key answers for 2023 exams - Aug 22 2021

web sep 14 2023 the metric mania conversion challenge answer key serves as your study partner to master the art of converting units of length mass volume and more by cross

the science spot metric conversion practice worksheets - Jan 07 2023

web my metric unit includes labs off extent messen volume density and temperature while well more conversions metric to metallic and metric to english students have many opportunities to use rulers triple beam balances and additional science equipment into learn method to use the metric system of measurements

answer key to metric system challenge pdf harvard - Sep 22 2021

web metric mania length answer key worksheets learny kids you can download or print using the browser document reader options 1 metric mania worksheet answers 2

metric mania conversion challenge answer key kat1055 com - Jul 21 2021

metric mania answer key pdf google sheets - Feb 08 2023

web metric mania answer key pdf google sheets loading

chm 130 conversion practice problems gccaz edu - Nov 24 2021

web my metric unit includes labs on length mass volume density plus temperature as well as conversions metric to metric press meet to english current have much opportunities to use rulers triple beam balances and other science equipment until learn how to use the metric system of messverfahren metric mania conversion training moral 1

8 metric system quizzes questions answers trivia proprofs - Apr 29 2022

web select download format download metric mania conversion challenge worksheet answers key pdf download metric mania conversion challenge worksheet answers

the science spot metric mania conversion practice basic unit - Feb 25 2022

web nov 13 2015 here is the solution go metric crossword challenge si units a crossword puzzle from the july 2008 issue of the the ndt non destructive testing technician si puzzle for students no 1 a crossword puzzle for numbers that are answers to simple math questions from the may june 1974 issue of american metric

converting metric units to solve problems challenge - Sep 03 2022

web metric mania lesson 1 length length presentation ppt i use this presentations to review the basis units out length and how to measure removals length worksheet pdf student worksheet that goes go with the introduction length lab pdf college are challenged to search the gauge of various objects in millimeters centimeters and

metric mania conversion challenge worksheet answers key - Mar 29 2022

web lessons general lessons length mass volumes density review pages student worksheets provided conversion practical

student worksheets provided metric system lesson draft links online resources general lessons my meet unit includes labs on length mass band density and heat as well as conversions metric to metric and

the science spot metric mania conversion practice basic unit - Aug 02 2022

web 1 try these conversions using the ladder method a 1000 mg 1 g b 1 l 1000 ml c 160 cm 1600 mm d 14 km 14000 m e 109 g 109 kg f 250 m 250 km 2 compare

metric mania conversion answer key 2023 free access - Jul 01 2022

web metric mania lesson 6 density answer key 1 would the objects with the following densities float sink or remain

suspended in tap water a 0.85 g/ml float b 1.0 g/ml

test review metric mania with key quia - Apr 10 2023

web metric mania key name conversion challenge mm km mg mm 36 cm 7 kilometer 8 centimeter 9 milligram write the correct abbreviation for each metric unit 1 kilogram

metric mania the science spot - Jul 13 2023

web metric mania survey pdf this worksheet is used at the end of the unit to review the material we have studied metric challenge puzzle pdf students review key terms

metric mania conversion practice key youtube - Jun 12 2023

web sep 3 2015 about press copyright contact us creators advertise developers terms privacy policy safety how youtube works test new features nfl sunday ticket

metric mania conversion practice answer key answers for - Dec 26 2021

web for conversions within the metric system you must memorize the conversion for example 1000 ml 1 l or 1000 g 1 kg should be memorized remember that metric

basic unit - Mar 09 2023

web metric mania answer keys conversion practice note see overhead copy for the stairstep boxes 1000 mg 1 g 160 cm 1600 mm 109 g 0.109 kg 1 l 1000 ml 14 km 14000

metric puzzles and quizzes us metric association - Jan 27 2022

web review materials metric mania survey pdf this worksheet is used at the end of the unit to review the material we have studied metric challenge puzzle pdf students review

the science spot metric mania - Oct 24 2021

web saves in combination countries allowing you to get the most less latency era to download any of our books once this one merely said the answer key to metric system

metric mania answer key 2023 free access - May 31 2022

web aug 17 2023 the metric system includes meters liters and grams to measure length liquid and weight respectively these units increase and decrease in even predictable increments such as centimeters dekaliters and milligrams in fact you can even move the decimal place of the units using mnemonics such as king henry doesn t mind drinking

metric mania with answers pdf google sheets - Nov 05 2022

web metric mania with answers pdf metric mania with answers pdf sign in

über das geistige in der kunst jedes kunstwerk is dotnbnm - Dec 02 2021

web dieses ebook Über das geistige in der kunst vollständige ausgabe ist mit einem detaillierten und dynamischen inhaltsverzeichnis

Über das geistige in der kunst by wassily kandinsky goodreads - Nov 13 2022

web dieses ebook Über das geistige in der kunst ist mit einem detaillierten und dynamischen inhaltsverzeichnis versehen und wurde sorgfältig korrekturgelesen

Über das geistige in der kunst insbesondere in der malerei - Mar 05 2022

web dieses ebook Über das geistige in der kunst ist mit einem detaillierten und dynamischen inhaltsverzeichnis versehen und wurde sorgfältig korrekturgelesen wassily

vasily kandinsky Über das geistige in der kunst - Jul 21 2023

ein großes spitzes dreieck in ungleiche teile geteilt mit derspitzesten kleinsten abteilung nach oben gewendet ist das geistigeleben schematisch richtig dargestellt je mehr nach unten destogrößer breiter see more

über das geistige in der kunst german edition amazon com - Feb 04 2022

web 4 5 33 sternebewertungen alle formate und editionen anzeigen kandinskys Über das geistige in der kunst ein klassiker der kunsttheorie die 1911 erschienene schrift

über das geistige in der kunst jedes kunstwerk is - Sep 11 2022

web jul 6 2014 Über das geistige in der kunst insbesondere in der malerei language german loc class n fine arts subject aesthetics subject painting category text

Über das geistige in der kunst jedes kunstwerk ist kind seiner - Jan 15 2023

web jul 15 2017 dieses ebook Über das geistige in der kunst ist mit einem detaillierten und dynamischen inhaltsverzeichnis versehen und wurde sorgfältig korrekturgelesen

Über das geistige in der kunst the metropolitan - Feb 16 2023

web Über das geistige in der kunst jedes kunstwerk ist kind seiner zeit oft ist es mutter unserer gefühle ebook kandinsky wassily amazon de bücher

pdf Über das geistige in der kunst by wassily kandinsky - Apr 06 2022

web kunst oct 21 2021 Über das geistige in der kunst insbesondere in der malerei ist ein unveränderter hochwertiger nachdruck der originalausgabe hansebooks ist

über das geistige in der kunst jedes kunstwerk ist kind seiner - Aug 10 2022

web über das geistige in der kunst jedes kunstwerk is karl blossfeldt feb 19 2020 the iconic german photographer karl blossfeldt s stunning plant photography is presented

full text of Über das geistige in der kunst insbesondere in der - Sep 30 2021

web dieses ebook Über das geistige in der kunst ist mit einem detaillierten und dynamischen inhaltsverzeichnis versehen und wurde sorgfältig korrektur gelesen

Über das geistige in der kunst jedes kunstwerk ist kind seiner - Apr 18 2023

so stellen sich allmählich verschiedene künste auf den weg das zusagen was sie am besten sagen können und durch die mittel die see more

Über das geistige in der kunst semantic scholar - Jul 09 2022

web in der kunst insbesondere realität und wirklichkeit in der moderne über das geistige in der kunst jedes kunstwerk ist kind über das geistige in der kunst made in thailand

the project gutenber ebook of Über das geistige - Aug 22 2023

jedes kunstwerk ist kind seiner zeit oft ist es mutter unserer gefühle so bringt jede kulturperiode eine eigene kunst zustande die nicht mehrwiederholt werden kann eine bestrebung vergangene kunstprinzipien zu beleben kann höchstens kunstwerke zur folge haben die einemtotgeborenen kinde see more

über das geistige in der kunst worldcat org - Jun 08 2022

web der artikel befasst sich mit der beziehung zwischen kunst und religion in der philosophie des französischen phänomenologen michel henry henry entwickelt eine philosophie

Über das geistige in der kunst jedes kunstwerk ist kind seiner - Mar 17 2023

web nov 19 2020 Über das geistige in der kunst ist schwer zu kategorisieren obwohl es betrachtungen über die farben enthält ist es keine kunstlehre im eigentlichen sinn und

Über das geistige in der kunst - Jan 03 2022

web jul 16 2020 paperback 92 pages isbn 10 3752341599 isbn 13 978 3752341591 item weight 4 7 ounces dimensions 5 83 x 0 22 x 8 27 inches best

Über das geistige in der kunst apple books - Dec 14 2022

web musaicum books presents to you this meticulously edited collection of the world s greatest novels and stories with religious theme and spiritual messages divine comedy dante

free uber das geistige in der kunst jedes kunstwerk is - May 07 2022

web uber das geistige in der kunst author wassily kandinsky print book german 1952 edition 4 aufl view all formats and editions publisher benteli verlag bern bümpliz

Über das geistige in der kunst von wassily - Jun 20 2023

das geistige dreieck bewegt sich langsam nach vor und aufwärts heuteerreicht eine der untersten größten abteilungen die ersten see more

Über das geistige in der kunst insbesondere in der malerei by - Oct 12 2022

web una fita essencial de l estètica vassili kandinski 1866 1944 és una figura imprescindible de la història de l art contemporani en qualitat de difusor i de promotor del primer moviment

Über das geistige in der kunst jedes kunstwerk ist kind seiner - Nov 01 2021

web uber das geistige in der kunst jedes kunstwerk is 3 3 bühnenkompositionen aufführungspläne neue quellen interpretationen 5 ritus als

kandinsky wassily Über das geistige in der kunst springer - May 19 2023

wenn man die augen über eine mit farben besetzte palette gleiten läßt so entstehen zwei hauptresultate 1 es kommt eine rein see more

Thank you very much for downloading **Kawasaki Small Gas Engine Parts**. As you may know, people have look numerous times for their chosen readings like this Kawasaki Small Gas Engine Parts, but end up in harmful downloads. Rather than reading a good book with a cup of coffee in the afternoon, instead they cope with some infectious virus inside their computer.

Kawasaki Small Gas Engine Parts is available in our book collection an online access to it is set as public so you can get it instantly.

Our book servers hosts in multiple locations, allowing you to get the most less latency time to download any of our books like this one.

Kindly say, the Kawasaki Small Gas Engine Parts is universally compatible with any devices to read

https://offsite.creighton.edu/files/virtual-library/Documents/math_in_focus_grade_5.pdf

https://offsite.creighton.edu/files/virtual-library/Documents/measuring_ekg_strips_with_calipers.pdf

https://offsite.creighton.edu/files/virtual-library/Documents/medical_oncology_board_review_course.pdf

Table of Contents Kawasaki Small Gas Engine Parts

1. Understanding the eBook Kawasaki Small Gas Engine Parts
 - The Rise of Digital Reading Kawasaki Small Gas Engine Parts
 - Advantages of eBooks Over Traditional Books
2. Identifying Kawasaki Small Gas Engine Parts
 - Exploring Different Genres
 - Considering Fiction vs. Non-Fiction
 - Determining Your Reading Goals

3. Choosing the Right eBook Platform
 - Popular eBook Platforms
 - Features to Look for in an Kawasaki Small Gas Engine Parts
 - User-Friendly Interface
4. Exploring eBook Recommendations from Kawasaki Small Gas Engine Parts
 - Personalized Recommendations
 - Kawasaki Small Gas Engine Parts User Reviews and Ratings
 - Kawasaki Small Gas Engine Parts and Bestseller Lists
5. Accessing Kawasaki Small Gas Engine Parts Free and Paid eBooks
 - Kawasaki Small Gas Engine Parts Public Domain eBooks
 - Kawasaki Small Gas Engine Parts eBook Subscription Services
 - Kawasaki Small Gas Engine Parts Budget-Friendly Options
6. Navigating Kawasaki Small Gas Engine Parts eBook Formats
 - ePub, PDF, MOBI, and More
 - Kawasaki Small Gas Engine Parts Compatibility with Devices
 - Kawasaki Small Gas Engine Parts Enhanced eBook Features
7. Enhancing Your Reading Experience
 - Adjustable Fonts and Text Sizes of Kawasaki Small Gas Engine Parts
 - Highlighting and Note-Taking Kawasaki Small Gas Engine Parts
 - Interactive Elements Kawasaki Small Gas Engine Parts
8. Staying Engaged with Kawasaki Small Gas Engine Parts
 - Joining Online Reading Communities
 - Participating in Virtual Book Clubs
 - Following Authors and Publishers Kawasaki Small Gas Engine Parts
9. Balancing eBooks and Physical Books Kawasaki Small Gas Engine Parts
 - Benefits of a Digital Library
 - Creating a Diverse Reading Collection Kawasaki Small Gas Engine Parts
10. Overcoming Reading Challenges
 - Dealing with Digital Eye Strain
 - Minimizing Distractions

- Managing Screen Time
- 11. Cultivating a Reading Routine Kawasaki Small Gas Engine Parts
 - Setting Reading Goals Kawasaki Small Gas Engine Parts
 - Carving Out Dedicated Reading Time
- 12. Sourcing Reliable Information of Kawasaki Small Gas Engine Parts
 - Fact-Checking eBook Content of Kawasaki Small Gas Engine Parts
 - Distinguishing Credible Sources
- 13. Promoting Lifelong Learning
 - Utilizing eBooks for Skill Development
 - Exploring Educational eBooks
- 14. Embracing eBook Trends
 - Integration of Multimedia Elements
 - Interactive and Gamified eBooks

Kawasaki Small Gas Engine Parts Introduction

Free PDF Books and Manuals for Download: Unlocking Knowledge at Your Fingertips In today's fast-paced digital age, obtaining valuable knowledge has become easier than ever. Thanks to the internet, a vast array of books and manuals are now available for free download in PDF format. Whether you are a student, professional, or simply an avid reader, this treasure trove of downloadable resources offers a wealth of information, conveniently accessible anytime, anywhere. The advent of online libraries and platforms dedicated to sharing knowledge has revolutionized the way we consume information. No longer confined to physical libraries or bookstores, readers can now access an extensive collection of digital books and manuals with just a few clicks. These resources, available in PDF, Microsoft Word, and PowerPoint formats, cater to a wide range of interests, including literature, technology, science, history, and much more. One notable platform where you can explore and download free Kawasaki Small Gas Engine Parts PDF books and manuals is the internet's largest free library. Hosted online, this catalog compiles a vast assortment of documents, making it a veritable goldmine of knowledge. With its easy-to-use website interface and customizable PDF generator, this platform offers a user-friendly experience, allowing individuals to effortlessly navigate and access the information they seek. The availability of free PDF books and manuals on this platform demonstrates its commitment to democratizing education and empowering individuals with the tools needed to succeed in their chosen fields. It allows anyone, regardless of their background or financial limitations, to expand their horizons and gain insights from experts in various disciplines. One of the most significant advantages of downloading PDF

books and manuals lies in their portability. Unlike physical copies, digital books can be stored and carried on a single device, such as a tablet or smartphone, saving valuable space and weight. This convenience makes it possible for readers to have their entire library at their fingertips, whether they are commuting, traveling, or simply enjoying a lazy afternoon at home. Additionally, digital files are easily searchable, enabling readers to locate specific information within seconds. With a few keystrokes, users can search for keywords, topics, or phrases, making research and finding relevant information a breeze. This efficiency saves time and effort, streamlining the learning process and allowing individuals to focus on extracting the information they need. Furthermore, the availability of free PDF books and manuals fosters a culture of continuous learning. By removing financial barriers, more people can access educational resources and pursue lifelong learning, contributing to personal growth and professional development. This democratization of knowledge promotes intellectual curiosity and empowers individuals to become lifelong learners, promoting progress and innovation in various fields. It is worth noting that while accessing free Kawasaki Small Gas Engine Parts PDF books and manuals is convenient and cost-effective, it is vital to respect copyright laws and intellectual property rights. Platforms offering free downloads often operate within legal boundaries, ensuring that the materials they provide are either in the public domain or authorized for distribution. By adhering to copyright laws, users can enjoy the benefits of free access to knowledge while supporting the authors and publishers who make these resources available. In conclusion, the availability of Kawasaki Small Gas Engine Parts free PDF books and manuals for download has revolutionized the way we access and consume knowledge. With just a few clicks, individuals can explore a vast collection of resources across different disciplines, all free of charge. This accessibility empowers individuals to become lifelong learners, contributing to personal growth, professional development, and the advancement of society as a whole. So why not unlock a world of knowledge today? Start exploring the vast sea of free PDF books and manuals waiting to be discovered right at your fingertips.

FAQs About Kawasaki Small Gas Engine Parts Books

What is a Kawasaki Small Gas Engine Parts PDF? A PDF (Portable Document Format) is a file format developed by Adobe that preserves the layout and formatting of a document, regardless of the software, hardware, or operating system used to view or print it. **How do I create a Kawasaki Small Gas Engine Parts PDF?** There are several ways to create a PDF: Use software like Adobe Acrobat, Microsoft Word, or Google Docs, which often have built-in PDF creation tools. Print to PDF: Many applications and operating systems have a "Print to PDF" option that allows you to save a document as a PDF file instead of printing it on paper. Online converters: There are various online tools that can convert different file types to PDF. **How do I edit a Kawasaki Small Gas Engine Parts PDF?** Editing a PDF can be done with software like Adobe Acrobat,

which allows direct editing of text, images, and other elements within the PDF. Some free tools, like PDFescape or Smallpdf, also offer basic editing capabilities. **How do I convert a Kawasaki Small Gas Engine Parts PDF to another file format?** There are multiple ways to convert a PDF to another format: Use online converters like Smallpdf, Zamzar, or Adobe Acrobat's export feature to convert PDFs to formats like Word, Excel, JPEG, etc. Software like Adobe Acrobat, Microsoft Word, or other PDF editors may have options to export or save PDFs in different formats. **How do I password-protect a Kawasaki Small Gas Engine Parts PDF?** Most PDF editing software allows you to add password protection. In Adobe Acrobat, for instance, you can go to "File" -> "Properties" -> "Security" to set a password to restrict access or editing capabilities. Are there any free alternatives to Adobe Acrobat for working with PDFs? Yes, there are many free alternatives for working with PDFs, such as: LibreOffice: Offers PDF editing features. PDFsam: Allows splitting, merging, and editing PDFs. Foxit Reader: Provides basic PDF viewing and editing capabilities. How do I compress a PDF file? You can use online tools like Smallpdf, ILovePDF, or desktop software like Adobe Acrobat to compress PDF files without significant quality loss. Compression reduces the file size, making it easier to share and download. Can I fill out forms in a PDF file? Yes, most PDF viewers/editors like Adobe Acrobat, Preview (on Mac), or various online tools allow you to fill out forms in PDF files by selecting text fields and entering information. Are there any restrictions when working with PDFs? Some PDFs might have restrictions set by their creator, such as password protection, editing restrictions, or print restrictions. Breaking these restrictions might require specific software or tools, which may or may not be legal depending on the circumstances and local laws.

Find Kawasaki Small Gas Engine Parts :

math in focus grade 5

[measuring ekg strips with calipers](#)

[medical oncology board review course](#)

medication aide state exam

math 65 saxon

[medical assistant certification review](#)

[mazak 4th axis rotary table](#)

mckinsey case practice

[maybe in another life summary](#)

[medonald's onboarding process](#)

[maximum ride manga fang](#)

match each gestalt principle of organization to its illustration.

mastering sap conference 2022

martyrdom definition bible

mat foundation design software

Kawasaki Small Gas Engine Parts :