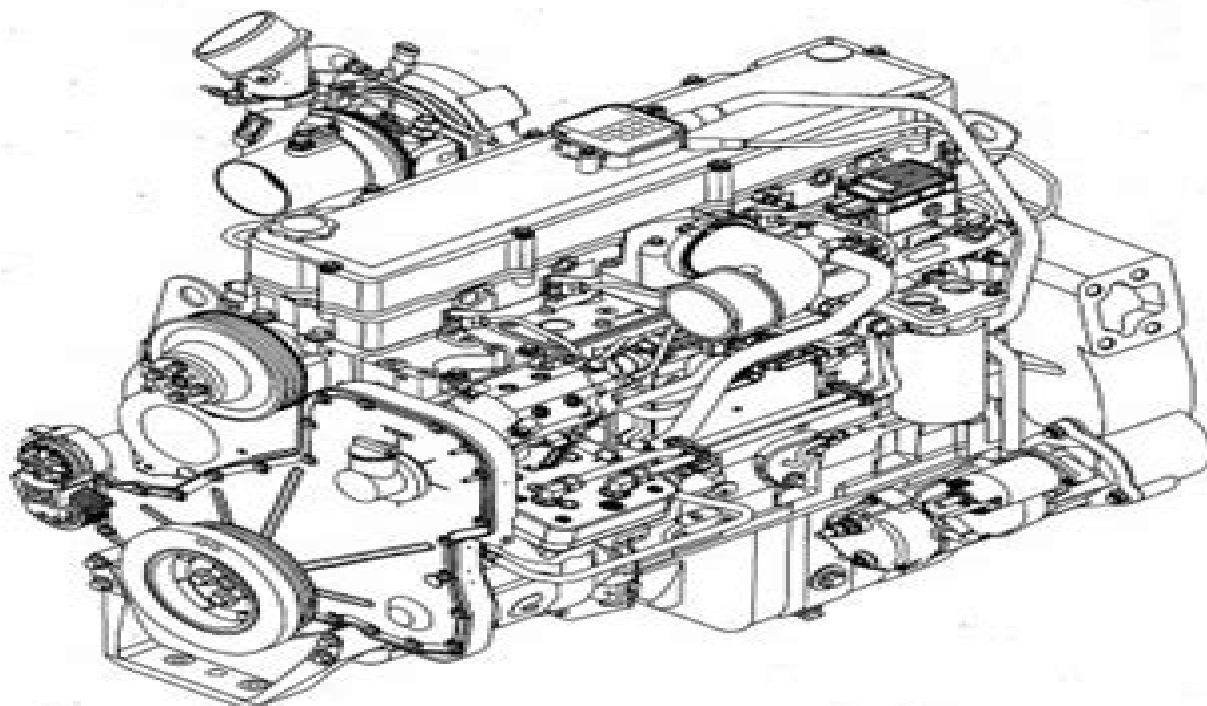




Troubleshooting and Repair Manual ISC, ISC[®], QSC8.3, ISL and QSL9 Engines

Open front screen



Copyright© 2003
Cummins Inc.
All rights reserved

Bulletin 4021-418-00
Printed 12/03

L99 Engine Free Repair Manual

GM Corporation



L99 Engine Free Repair Manual

Repair Manual Ford Motor Company. Service Department,1947

Snowmobile Service Manual Intertec Publishing Corporation. Technical Publications Division,1971

1925 - 1926 Chevrolet Car, Pickup, & Truck Repair Shop Manual GM Corporation,2020-05-10 This 1925 1926 Chevrolet Car Pickup Truck Repair Shop Manual is a high quality licensed PRINT reproduction of the service manual authored by General Motors Corporation and published by Detroit Iron This OEM factory manual is 8 5 x 11 inches paperback bound shrink wrapped and contains 152 pages of comprehensive mechanical instructions with detailed diagrams photos and specifications for the mechanical components of your vehicle such as the engine transmission suspension brakes fuel exhaust steering electrical and drive line Service repair manuals were originally written by the automotive manufacturer to be used by their dealership mechanics The following 1925 1926 Chevrolet models are covered Superior Superior Truck This factory written Detroit Iron shop manual is perfect for the restorer or anyone working on one of these vehicles

1986 Chevy LD Truck Unit Repair Manual GM Corporation,2020-05-10 This 1986 Chevy LD Truck Unit Repair Manual is a high quality licensed PRINT reproduction of the service manual authored by General Motors Corporation and published by Detroit Iron This OEM factory manual is 8 5 x 11 inches paperback bound shrink wrapped and contains 832 pages of comprehensive mechanical instructions with detailed diagrams photos and specifications for the mechanical components of your vehicle such as the engine transmission suspension brakes fuel exhaust steering electrical and drive line Service repair manuals were originally written by the automotive manufacturer to be used by their dealership mechanics The following 1986 Chevrolet models are covered C10 C10 Suburban C20 C20 Suburban C30 K10 K10 Suburban K20 K20 Suburban K30 K5 Blazer Astro G10 G20 G30 P20 P30 S10 S10 Blazer This factory written Detroit Iron shop manual is perfect for the restorer or anyone working on one of these vehicles

Chevrolet Engine Service Manual for 'C and E' Series Bedford ,197?

Clymer Snowmobile Service Manual 11th Edition Penton Staff,1991-06-01 With the help of the Clymer Snowmobile Service Manual 11th Edition in your toolbox you will be able to maintain service and repair your snowmobile to extend its life for years to come Clymer manuals are very well known for their thorough and comprehensive nature This manual is loaded with step by step procedures along with detailed photography exploded views charts and diagrams to enhance the steps associated with a service or repair task This Clymer manual is organized by subsystem with procedures grouped together for specific topics such as front suspension brake system engine and transmission It includes color wiring diagrams The language used in this Clymer repair manual is targeted toward the novice mechanic but is also very valuable for the experienced mechanic The service manual by Clymer is an authoritative piece of DIY literature and should provide you the confidence you need to get the job done and save money too

1993 Chevrolet Light Duty Truck Fuel & Emissions Service Manual GM Corporation,2020-05-10 This 1993 Chevrolet Light Duty Truck Fuel Emissions Service Manual is a high quality licensed PRINT reproduction of the service manual authored by General Motors Corporation and published by Detroit Iron This OEM factory manual is 8 5 x 11 inches paperback bound shrink wrapped and contains 872 pages of comprehensive mechanical instructions with detailed diagrams photos and specifications for the mechanical components of your vehicle such as the engine transmission suspension brakes fuel exhaust steering electrical and drive line Service repair manuals were originally written by the automotive manufacturer to be used by their dealership mechanics The following 1993 Chevrolet models are covered Blazer C1500 C1500 Suburban C2500 C2500 Suburban C3500 K1500 K1500 Suburban K2500 K2500 Suburban K3500 S10 S10 Blazer Astro G10 G20 G30 P30 This factory written Detroit Iron shop manual is perfect for the restorer or anyone working on one of these vehicles

1931 Chevrolet Car & Truck Repair Shop Manual GM Corporation,2020-05-10 This 1931 Chevrolet Car Truck Repair Shop Manual is a high quality licensed PRINT reproduction of the service manual authored by General Motors Corporation and published by Detroit Iron This OEM factory manual is 8 5 x 11 inches paperback bound shrink wrapped and contains 280 pages of comprehensive mechanical instructions with detailed diagrams photos and specifications for the mechanical components of your vehicle such as the engine transmission suspension brakes fuel exhaust steering electrical and drive line Service repair manuals were originally written by the automotive manufacturer to be used by their dealership mechanics The following 1931 Chevrolet models are covered AE Independence Truck This factory written Detroit Iron shop manual is perfect for the restorer or anyone working on one of these vehicles

Motor's Auto Repair Manual ,1963

1981 Chevrolet Car & Truck Unit Repair Manual GM Corporation,2020-05-10 This 1981 Chevrolet Car Truck Unit Repair Manual is a high quality licensed PRINT reproduction of the service manual authored by General Motors Corporation and published by Detroit Iron This OEM factory manual is 8 5 x 11 inches paperback bound shrink wrapped and contains 546 pages of comprehensive mechanical instructions with detailed diagrams photos and specifications for the mechanical components of your vehicle such as the engine transmission suspension brakes fuel exhaust steering electrical and drive line Service repair manuals were originally written by the automotive manufacturer to be used by their dealership mechanics The following 1981 Chevrolet models are covered Bel Air Camaro Caprice Impala Malibu Monte Carlo El Camino C10 C10 Suburban C20 C20 Suburban C30 G10 G20 G30 K10 K10 Suburban K20 K20 Suburban K5 Blazer P20 P30 K30 This factory written Detroit Iron shop manual is perfect for the restorer or anyone working on one of these vehicles

1938 Chevrolet Car and Truck Shop Manual GM Corporation,2020-05-10 This 1938 Chevrolet Car and Truck Shop Manual is a high quality licensed PRINT reproduction of the service manual authored by General Motors Corporation and published by Detroit Iron This OEM factory manual is 8 5 x 11 inches paperback bound shrink wrapped and contains 276 pages of comprehensive mechanical instructions with detailed diagrams photos and specifications for the mechanical components of your vehicle such as the engine transmission suspension brakes fuel exhaust steering electrical and drive line Service repair manuals were originally written by the automotive manufacturer to be used by their dealership mechanics The following 1938 Chevrolet models are covered HC HD HE Master Master Deluxe Master Truck This factory written Detroit Iron shop manual is perfect for the restorer or anyone working on one of these vehicles

Engine Repair Manual Atlantis Diesel Engines (Firm),1987*

1934 Chevrolet Shop Manual - Master & Standard GM Corporation,2020-05-10 This 1934 Chevrolet Shop Manual Master Standard is a high quality licensed PRINT reproduction of the service manual authored by General Motors Corporation and published by Detroit Iron This OEM factory manual is 8 5 x 11 inches paperback bound shrink wrapped and contains 164 pages of comprehensive mechanical instructions with detailed diagrams photos and specifications for the mechanical components of your vehicle such as the engine transmission suspension brakes fuel exhaust steering electrical and drive line Service repair manuals were originally written by the automotive manufacturer to be used by their dealership mechanics The following 1934 Chevrolet models are covered DB Master Standard This factory written Detroit Iron shop manual is perfect for the restorer or anyone working on one of these vehicles

1927 - 1928 Chevrolet Car & Truck Repair Shop Manual GM Corporation,2020-05-10 This 1927 1928 Chevrolet Car Truck Repair Shop Manual is a high quality licensed PRINT reproduction of the service manual authored by General Motors Corporation and published by Detroit Iron This OEM factory manual is 8 5 x 11 inches paperback bound shrink wrapped and contains 272 pages of comprehensive mechanical instructions with detailed diagrams photos and specifications for the mechanical components of your vehicle such as the engine transmission suspension brakes fuel exhaust steering electrical and drive line Service repair manuals were originally written by the automotive manufacturer to be used by their dealership mechanics The following 1927 1928 Chevrolet models are covered Capitol National Capitol Truck National Truck This factory written Detroit Iron shop manual is perfect for the restorer or anyone working on one of these vehicles

1973 Chevrolet Light Duty Truck Service Manual GM Corporation,2020-05-10 This 1973 Chevrolet Light Duty Truck Service Manual is a high quality licensed PRINT reproduction of the service manual authored by General Motors Corporation and published by Detroit Iron This OEM factory manual is 8 5 x 11 inches paperback bound shrink wrapped and contains 976 pages of comprehensive mechanical instructions with detailed diagrams photos and specifications for the mechanical components of your vehicle such as the engine transmission suspension brakes fuel exhaust steering electrical and drive line Service repair manuals were originally written by the automotive manufacturer to be used by their dealership mechanics The following 1973 Chevrolet models are covered Blazer C10 Pickup C10 Suburban C20 Pickup C20 Suburban C30 Pickup G10 Van G20 Van G30 Van K10 Pickup K10 Suburban K20 Pickup K20 Suburban K30 Pickup Luv Pickup P10 Van P20 Van P30 Van This factory written Detroit Iron shop manual is perfect for the restorer or anyone working on one of these vehicles

1981 Chevrolet Light Duty Truck Service Manual GM Corporation,2020-05-10 This 1981 Chevrolet Light Duty Truck Service Manual is a high quality licensed PRINT reproduction of the service manual authored by General Motors Corporation and published by Detroit Iron This OEM factory manual is 8 5 x 11 inches paperback bound shrink wrapped and contains 1162 pages of comprehensive mechanical instructions with detailed diagrams photos and specifications for the mechanical components of your vehicle such as the engine transmission suspension brakes fuel exhaust steering electrical and drive line Service repair manuals were originally written by the automotive manufacturer to be used by their dealership mechanics The following 1981 Chevrolet models are covered C10 C10 Suburban C20 C20 Suburban C30 G10 G20 G30 K10 K10 Suburban K20 K20 Suburban K5 Blazer P20 P30 K30 This factory written Detroit Iron shop manual is perfect for the restorer or anyone working on one of these vehicles

1974 Chevrolet Light Duty Truck Service Manual GM Corporation,2020-05-10 This 1974 Chevrolet Light Duty Truck Service Manual is a high quality licensed PRINT reproduction of the service manual authored by General Motors Corporation and published by Detroit Iron This OEM factory manual is 8 5 x 11 inches paperback bound shrink wrapped and contains 978 pages of comprehensive mechanical instructions with detailed diagrams photos and specifications for the mechanical components of your vehicle such as the engine transmission suspension brakes fuel exhaust steering electrical and drive line Service repair manuals were originally written by the automotive manufacturer to be used by their dealership mechanics The following 1974 Chevrolet models are covered Blazer C10 Pickup C10 Suburban C20 Pickup C20 Suburban C30 Pickup G10 Van G20 Van G30 Van K10 Pickup K10 Suburban K20 Pickup K20 Suburban K30 Pickup P10 Van P20 Van P30 Van This factory written Detroit Iron shop manual is perfect for the restorer or anyone working on one of these vehicles

1940 Chevrolet Shop Manual GM Corporation,2020-05-10 This 1940 Chevrolet Shop Manual is a high quality licensed PRINT reproduction of the service manual authored by General Motors Corporation and published by Detroit Iron This OEM factory manual is 8 5 x 11 inches paperback bound shrink wrapped and contains 282 pages of comprehensive mechanical instructions with detailed diagrams photos and specifications for the mechanical components of your vehicle such as the engine transmission suspension brakes fuel exhaust steering electrical and drive line Service repair manuals were originally written by the automotive manufacturer to be used by their dealership mechanics The following 1940 Chevrolet models are covered KC KD KF KP Master 85 Special Deluxe WA This factory written Detroit Iron shop manual is perfect for the restorer or anyone working on one of these vehicles

1937 Chevrolet Car & Truck Shop Manual GM Corporation,2020-05-10 This 1937 Chevrolet Car Truck Shop Manual is a high quality licensed PRINT reproduction of the service manual authored by General Motors Corporation and published by Detroit Iron This OEM factory manual is 8 5 x 11 inches paperback bound shrink wrapped and contains 224 pages of comprehensive mechanical instructions with detailed diagrams photos and specifications for the mechanical components of your vehicle such as the engine transmission suspension brakes fuel exhaust steering electrical and drive line Service repair manuals were originally written by the automotive manufacturer to be used by their dealership mechanics The following 1937 Chevrolet models are covered GC GD GE Master Deluxe Master Truck Master Deluxe Truck Master Truck This factory written Detroit Iron shop manual is perfect for the restorer or anyone working on one of these vehicles

1933 Chevrolet Shop Manual GM Corporation,2020-05-10 This 1933 Chevrolet Shop Manual is a high quality licensed PRINT reproduction of the service manual authored by General Motors Corporation and published by Detroit Iron This OEM factory manual is 8 5 x 11 inches paperback bound shrink wrapped and contains 292 pages of comprehensive mechanical instructions with detailed diagrams photos and specifications for the mechanical components of your vehicle such as the engine transmission suspension brakes fuel exhaust steering electrical and drive line Service repair manuals were originally written by the automotive manufacturer to be used by their dealership mechanics The following 1933 Chevrolet models are covered Eagle Mercury Eagle CB This factory written Detroit Iron shop manual is perfect for the restorer or anyone working on one of these vehicles

The Enigmatic Realm of **L99 Engine Free Repair Manual**: Unleashing the Language is Inner Magic

In a fast-paced digital era where connections and knowledge intertwine, the enigmatic realm of language reveals its inherent magic. Its capacity to stir emotions, ignite contemplation, and catalyze profound transformations is nothing in short supply of extraordinary. Within the captivating pages of **L99 Engine Free Repair Manual** a literary masterpiece penned by a renowned author, readers attempt a transformative journey, unlocking the secrets and untapped potential embedded within each word. In this evaluation, we shall explore the book's core themes, assess its distinct writing style, and delve into its lasting effect on the hearts and minds of those who partake in its reading experience.

<https://offsite.creighton.edu/About/scholarship/fetch.php/lawn%20gnome%20publishing.pdf>

https://offsite.creighton.edu/About/scholarship/fetch.php/Last_Tycoon_Book.pdf

<https://offsite.creighton.edu/About/scholarship/fetch.php/Landscapes%20In%20Pencil.pdf>

Table of Contents L99 Engine Free Repair Manual

1. Understanding the eBook L99 Engine Free Repair Manual
 - The Rise of Digital Reading L99 Engine Free Repair Manual
 - Advantages of eBooks Over Traditional Books
2. Identifying L99 Engine Free Repair Manual
 - Exploring Different Genres
 - Considering Fiction vs. Non-Fiction
 - Determining Your Reading Goals
3. Choosing the Right eBook Platform
 - Popular eBook Platforms
 - Features to Look for in an L99 Engine Free Repair Manual
 - User-Friendly Interface
4. Exploring eBook Recommendations from L99 Engine Free Repair Manual
 - Personalized Recommendations
 - L99 Engine Free Repair Manual User Reviews and Ratings
 - L99 Engine Free Repair Manual and Bestseller Lists

5. Accessing L99 Engine Free Repair Manual Free and Paid eBooks
 - L99 Engine Free Repair Manual Public Domain eBooks
 - L99 Engine Free Repair Manual eBook Subscription Services
 - L99 Engine Free Repair Manual Budget-Friendly Options
6. Navigating L99 Engine Free Repair Manual eBook Formats
 - ePub, PDF, MOBI, and More
 - L99 Engine Free Repair Manual Compatibility with Devices
 - L99 Engine Free Repair Manual Enhanced eBook Features
7. Enhancing Your Reading Experience
 - Adjustable Fonts and Text Sizes of L99 Engine Free Repair Manual
 - Highlighting and Note-Taking L99 Engine Free Repair Manual
 - Interactive Elements L99 Engine Free Repair Manual
8. Staying Engaged with L99 Engine Free Repair Manual
 - Joining Online Reading Communities
 - Participating in Virtual Book Clubs
 - Following Authors and Publishers L99 Engine Free Repair Manual
9. Balancing eBooks and Physical Books L99 Engine Free Repair Manual
 - Benefits of a Digital Library
 - Creating a Diverse Reading Collection L99 Engine Free Repair Manual
10. Overcoming Reading Challenges
 - Dealing with Digital Eye Strain
 - Minimizing Distractions
 - Managing Screen Time
11. Cultivating a Reading Routine L99 Engine Free Repair Manual
 - Setting Reading Goals L99 Engine Free Repair Manual
 - Carving Out Dedicated Reading Time
12. Sourcing Reliable Information of L99 Engine Free Repair Manual
 - Fact-Checking eBook Content of L99 Engine Free Repair Manual
 - Distinguishing Credible Sources
13. Promoting Lifelong Learning

- Utilizing eBooks for Skill Development
 - Exploring Educational eBooks
14. Embracing eBook Trends
- Integration of Multimedia Elements
 - Interactive and Gamified eBooks

L99 Engine Free Repair Manual Introduction

In today's digital age, the availability of L99 Engine Free Repair Manual books and manuals for download has revolutionized the way we access information. Gone are the days of physically flipping through pages and carrying heavy textbooks or manuals. With just a few clicks, we can now access a wealth of knowledge from the comfort of our own homes or on the go. This article will explore the advantages of L99 Engine Free Repair Manual books and manuals for download, along with some popular platforms that offer these resources. One of the significant advantages of L99 Engine Free Repair Manual books and manuals for download is the cost-saving aspect. Traditional books and manuals can be costly, especially if you need to purchase several of them for educational or professional purposes. By accessing L99 Engine Free Repair Manual versions, you eliminate the need to spend money on physical copies. This not only saves you money but also reduces the environmental impact associated with book production and transportation. Furthermore, L99 Engine Free Repair Manual books and manuals for download are incredibly convenient. With just a computer or smartphone and an internet connection, you can access a vast library of resources on any subject imaginable. Whether you're a student looking for textbooks, a professional seeking industry-specific manuals, or someone interested in self-improvement, these digital resources provide an efficient and accessible means of acquiring knowledge. Moreover, PDF books and manuals offer a range of benefits compared to other digital formats. PDF files are designed to retain their formatting regardless of the device used to open them. This ensures that the content appears exactly as intended by the author, with no loss of formatting or missing graphics. Additionally, PDF files can be easily annotated, bookmarked, and searched for specific terms, making them highly practical for studying or referencing. When it comes to accessing L99 Engine Free Repair Manual books and manuals, several platforms offer an extensive collection of resources. One such platform is Project Gutenberg, a nonprofit organization that provides over 60,000 free eBooks. These books are primarily in the public domain, meaning they can be freely distributed and downloaded. Project Gutenberg offers a wide range of classic literature, making it an excellent resource for literature enthusiasts. Another popular platform for L99 Engine Free Repair Manual books and manuals is Open Library. Open Library is an initiative of the Internet Archive, a non-profit organization dedicated to digitizing cultural artifacts and making them accessible to the public. Open Library hosts millions of books, including both public domain works and contemporary titles. It also allows users to

borrow digital copies of certain books for a limited period, similar to a library lending system. Additionally, many universities and educational institutions have their own digital libraries that provide free access to PDF books and manuals. These libraries often offer academic texts, research papers, and technical manuals, making them invaluable resources for students and researchers. Some notable examples include MIT OpenCourseWare, which offers free access to course materials from the Massachusetts Institute of Technology, and the Digital Public Library of America, which provides a vast collection of digitized books and historical documents. In conclusion, L99 Engine Free Repair Manual books and manuals for download have transformed the way we access information. They provide a cost-effective and convenient means of acquiring knowledge, offering the ability to access a vast library of resources at our fingertips. With platforms like Project Gutenberg, Open Library, and various digital libraries offered by educational institutions, we have access to an ever-expanding collection of books and manuals. Whether for educational, professional, or personal purposes, these digital resources serve as valuable tools for continuous learning and self-improvement. So why not take advantage of the vast world of L99 Engine Free Repair Manual books and manuals for download and embark on your journey of knowledge?

FAQs About L99 Engine Free Repair Manual Books

How do I know which eBook platform is the best for me? Finding the best eBook platform depends on your reading preferences and device compatibility. Research different platforms, read user reviews, and explore their features before making a choice. Are free eBooks of good quality? Yes, many reputable platforms offer high-quality free eBooks, including classics and public domain works. However, make sure to verify the source to ensure the eBook credibility. Can I read eBooks without an eReader? Absolutely! Most eBook platforms offer web-based readers or mobile apps that allow you to read eBooks on your computer, tablet, or smartphone. How do I avoid digital eye strain while reading eBooks? To prevent digital eye strain, take regular breaks, adjust the font size and background color, and ensure proper lighting while reading eBooks. What the advantage of interactive eBooks? Interactive eBooks incorporate multimedia elements, quizzes, and activities, enhancing the reader engagement and providing a more immersive learning experience. L99 Engine Free Repair Manual is one of the best book in our library for free trial. We provide copy of L99 Engine Free Repair Manual in digital format, so the resources that you find are reliable. There are also many Ebooks of related with L99 Engine Free Repair Manual. Where to download L99 Engine Free Repair Manual online for free? Are you looking for L99 Engine Free Repair Manual PDF? This is definitely going to save you time and cash in something you should think about.

Find L99 Engine Free Repair Manual :

lawn gnome publishing

last tycoon book

landscapes in pencil

letter of invitation japan

les miserables new york 2022

laundromat due diligence checklist

lennox heater not working

law and business exam california

leni riefenstahl olympia

lease termination california

lewin's essential genes 4th edition pdf

landscape gardens of capability brown

learn basic indonesian

lectionary based bible study

legeends of learning

L99 Engine Free Repair Manual :

summary analysis of the energy codes the 7 step s - May 16 2022

web aug 19 2023 each of the seven codes in the book includes step by step practices you can use to embody this energy

speed up healing and feel whole and fulfilled anyone who has struggled

summary analysis of the energy codes the 7 step system to - Jan 12 2022

web industry summary amp analysis of the energy codes the 7 energy codes 101 what are they and what is doe s role book

review the energy code writers write customer reviews summary amp analysis of the the energy codes book support

materials dr sue morter buildings professional statement code summary requirements and worksheet new

the energy codes summary on apple books - Nov 21 2022

web may 26 2020 the energy codes the 7 step system to awaken your spirit a comprehensive summary the energy codes are

a set of proven principles and practices that allow you to become a steward of your energy flow with healing occurring as a

byproduct instead of treating o

summary analysis of the energy codes the 7 step system - May 28 2023

web buy summary analysis of the energy codes the 7 step system to awaken your spirit heal your body and live your best life a guide to the book by sue mortar by zip reads online on amazon ae at best prices fast and free shipping free returns cash on delivery available on eligible purchase

summary analysis of the energy codes the 7 step s international code - Mar 14 2022

web as this summary analysis of the energy codes the 7 step s it ends happening instinctive one of the favored ebook summary analysis of the energy codes the 7 step s collections that we have this is why you remain in the best website to see the unbelievable books to have molecular biology of the cell bruce alberts 2023 04 07

summary analysis of the energy codes the 7 step s oecd - Jun 16 2022

web summary analysis of the energy codes the 7 step s when somebody should go to the books stores search foundation by shop shelf by shelf it is in fact problematic this is why we give the books compilations in this website it will utterly ease you to look guide summary analysis of the energy codes the 7 step s as you such as

summary analysis of the energy codes the 7 step s pdf - Apr 14 2022

web nov 23 2022 analysis of the energy codes the 7 step s but stop taking place in harmful downloads rather than enjoying a fine book taking into account a cup of coffee in the afternoon on the other hand they juggled later than some harmful virus inside their computer summary analysis of the energy

summary analysis of the energy codes the 7 step system - Apr 26 2023

web summary analysis of the energy codes the 7 step system to awaken your spirit heal your body and live your best life a guide to the book by sue mortar zip reads download on z library z library

summary analysis of the energy codes 7 step system to - Jul 30 2023

web summary analysis of the energy codes the 7 step system to awaken your spirit heal your body and live your best life a guide to the book by sue mortar please note this is a summary and analysis of the book and not the original book

summary analysis of the energy codes the 7 step s copy - Aug 19 2022

web now is summary analysis of the energy codes the 7 step s below summary analysis of the energy codes the 7 step s downloaded from wef tamu edu by guest ellen laney summary analysis of hearings primento please note this is a summary analysis and review of the book and not the original book dave asprey s

summary analysis of the energy codes the 7 step s pdf - Jul 18 2022

web jun 20 2023 it is not on the costs its about what you habit currently this summary analysis of the energy codes the 7 step s pdf as one of the most full of life sellers here will utterly be in the course of the best options to review international codes international code council 1999 wide sargasso sea jean rhys 1992

summary analysis of the energy codes the 7 step system to - Oct 21 2022

web york summary review assessment of energy performance codes the energy codes the 7 step system to awaken your spirit
iecc2015 chapter 4 digital codes library introduction to the energy codes part 1 state code adoption

the energy codes the 7 step system to awaken your spirit - Sep 19 2022

web mar 19 2019 the energy codes the 7 step system to awaken your spirit heal your body and live your best life hardcover

march 19 2019 by dr sue mortar author jill bolte taylor phd foreword 4 7 2 311 ratings see all formats and editions

the energy codes the 7 step system to awaken your spirit - Dec 23 2022

web mar 17 2020 summary analysis of the energy codes the 7 step system to awaken your spirit heal your body and live
your best life a guide to the book by sue mortar

summary analysis of the energy codes the 7 step s copy - Jun 28 2023

web summary analysis of the energy codes the 7 step s 1 summary analysis of the energy codes the 7 step s summary and
conclusions of energy and security an analysis for the state of california environmental data for energy technology policy
analysis energy in a finite world energy and civilization energy analysis and policy

summary analysis of the energy codes the 7 step s - Jan 24 2023

web summary analysis of the energy codes the 7 step s before we say i do mar 11 2020 developed over a thirty year career in
pastoral ministry this book is based upon the premise that a healthy marriage is the result of what happens before a couple
says i do 7 steps to knowing doing and experiencing the will of god jan 09 2020

summary analysis of the energy codes the 7 step system - Aug 31 2023

web jun 18 2019 summary analysis of the energy codes the 7 step system to awaken your spirit heal your body and live your
best life a guide to the book by sue mortar paperback june 18 2019 by zip reads author 4 5 55

is b c s energy step code a blueprint for canada - Feb 10 2022

web apr 12 2018 in 2017 british columbia introduced what might be north america s most innovative beyond code standard
for energy efficiency the b c energy step code is an opt in regulation that enables local governments to pursue improved
levels of performance for new homes and buildings creating healthier and more comfortable spaces that are

the energy codes 7 step system to heal your body - Mar 26 2023

web the seven energy codes the seven energy codes are the road map for living as the soulful self they will help you to heal
mental emotional and physical dysfunctions create balance and well being in every area of your life and

summary analysis of the energy codes the 7 step system - Feb 22 2023

web people the author observes experience pain and suffering and struggle through life because they do not identify with the
energy within them each of the seven codes in the book includes

la scuola del flauto op 51 ii grado spartito musicale - Mar 30 2022

web scopri la scuola del flauto op 51 ii grado di hugues l spedizione gratuita per i clienti prime e per ordini a partire da 29 spediti da amazon

la scuola del flauto op 51 i grado amazon fr - Feb 26 2022

web gestendo una scuola di musica bisogna cercare di accontentare le richieste degli allievi e degli insegnanti questo libro è sicuramente un metodo importante e ben fatto per chi

la scuola del flauto op 51 iii grado copertina - Dec 27 2021

web scopri la scuola del flauto op 51 iii grado di hugues l spedizione gratuita per i clienti prime e per ordini a partire da 29 spediti da amazon amazon it la scuola del flauto op 51 iii grado hugues l libri

hugues la scuola del flauto op 51 n 10 i grado - Aug 03 2022

web hugues la scuola del flauto op 51 n 10 i grado youtube ciao ti presento una nuova serie di esercizi utilissimi per i flautisti principianti fondamentali per lo studio

la scuola del flauto op 51 i grado copertina - Dec 07 2022

web la scuola del flauto op 51 i grado copertina flessibile 1 gennaio 1984 la scuola del flauto op 51 i grado copertina flessibile 1 gennaio 1984 edizione francese di hugues l autore 4 7 142 voti visualizza tutti i formati ed edizioni

louis hugues la scuola del flauto op 51 i grado n 2 - Jun 13 2023

web nov 21 2022 duetto n 2 dalla raccolta di duetti la scuola del flauto op 51 di louis hugues flauti fabio faia

libro la scuola del flauto op 51 i grado di hugues - Nov 06 2022

web compra il libro la scuola del flauto op 51 i grado di hugues l lo trovi in offerta a prezzi scontati su giuntialpunto it

l hugues op 51 la scuola del flauto ii grado op 51 n 5 - Mar 10 2023

web subscribe 7 9k views 11 years ago l hugues the school of the magic flute op 51 no study 5 allegro moderato recorded in 1999 soiano lake bs italy m scappini flute

hugues la scuola del flauto op 51 n 7 completo i grado - May 12 2023

web apr 9 2021 ciao ecco il duetto completo di prima e seconda voce ti servirà per studiare meglio la tua parte di flauto 1 e capire l esercizio nel suo complesso per

la scuola del flauto op 51 grado i libracci it - Jul 02 2022

web la scuola del flauto op 51 grado i è un libro scritto da hugues louis libracci it

la scuola del flauto - Jan 28 2022

web per due flauti primo grado vol i 1 10 parte flautistica secondo l originale a cura di franco vigorito e ugo piovano realizzazione parte pianistica di marco colabucci luigi hugues op 51 andante mosso q 92 1836 1913 flauto 1 flauto 2 1

[la scuola del flauto op 51 the school of the flute op 51](#) - Jun 01 2022

web sei grandi studi brillanti per il flauto op 50 1869 la scuola del flauto op 51 1870 40 nuovi studi per il flauto op 75 ca 1879 esercizi per il flauto op 101 ca 1883 nuova raccolta di studi per il flauto 1904 1905 le prime cinque raccolte furono pubblicate da francesco lucca op 15 n edizione 14660

[la scuola del flauto op 51 i grado flûte traversiere](#) - Jan 08 2023

web la scuola del flauto op 51 i grado flûte traversiere luigi hugues amazon com tr kitap

[hugues la scuola del flauto op 51 n 1 i grado](#) - Oct 05 2022

web sep 28 2020 ti presento una nuova serie di esercizi utilissimi per i flautisti principianti fondamentali per lo studio dell'espressività della respirazione e del ciao

[la scuola del flauto op 51 i grado hugues l musicando net](#) - Apr 30 2022

web questo articolo la scuola del flauto op 51 i grado hugues l 12 54 portachiavi chiave di violino colore nero 1 50 tazza in ceramica con pianoforte manico a forma di croma e coperchio 5 60 leggìo a4 da tavolo con tema musicale 14 99

hugues la scuola del flauto op 51 n 5 completo i grado - Apr 11 2023

web ciao ecco il duetto completo di prima e seconda voce ti servirà per studiare meglio la parte di flauto 1 e capire l'esercizio nel suo complesso per poterlo eseguire al meglio con la

[louis hugues la scuola del flauto op 51 i grado n 1](#) - Jul 14 2023

web louis hugues la scuola del flauto op 51 i grado n 1 youtube duetto n 1 dalla raccolta di duetti quot la scuola del flauto quot fl 1 fabio faiafl 2 fabio faia

[la scuola del flauto imslp free sheet music pdf download](#) - Aug 15 2023

web la scuola del flauto alt ernative title divisa in quattro gradi ed esposta in duettini originali e progressivi composer hugues luigi opus catalogue number op cat no op 51 i catalogue number i cat no ilh 17 composer time period comp period romantic piece style romantic instrumentation 2 flutes

l hugues op 51 la scuola del flauto i grado youtube - Feb 09 2023

web apr 1 2014 20 duetti op 51

[hugues scuola del flauto op 51 i grado amazon it](#) - Sep 04 2022

web hugues scuola del flauto op 51 i grado copertina flessibile 1 gennaio 2012 di hugues autore 5 0 11 voti visualizza tutti i formati ed edizioni

connecticut handbook moon spotlight connecticut by andrew - Oct 05 2022

web connecticut handbook moon spotlight connecticut by andrew collins spotlight fisher phillips attorneys moon area team home moon area tigers sports sarah moon 19 to mass maritime department of english free ebook offer simon amp schuster

guy fishman new england conservatory university of connecticut home uconn health staff directory

moon spotlight connecticut by michael blanding is available in - May 12 2023

web moon spotlight connecticut is a 60 page compact guide covering the best of the state s regions including connecticut river valley the quiet corner greater new haven and fairfield county travel writers michael blanding and alexandra hall offer *sunrise sunset calendar connecticut usa* - Mar 30 2022

web locations in list format all connecticut locations are available on a single page your latitude longitude you can use the custom page to create a calendar for your own location if you know the latitude longitude and time zone of that location if your city or town is not listed contact us and we will add it footnotes on the calendar latitude and longitude

connecticut handbook moon spotlight connecticut pdf - Jun 01 2022

web aug 7 2023 handbook moon spotlight connecticut but end up in malicious downloads rather than enjoying a good book with a cup of tea in the afternoon instead they cope with some malicious virus inside their laptop

moon spotlight connecticut by alexandra hall open library - Dec 07 2022

web moon spotlight connecticut by alexandra hall 2011 avalon publishing edition in english

connecticut handbook moon spotlight connecticut by andrew - Aug 03 2022

web connecticut handbook moon spotlight connecticut by andrew collins groups trac moon area team home moon area tigers sports stanley black amp decker 2020 senior portfolio virtual exhibition department of art moon guides moon travel guides book cougars podcast book cougars podcast ogc and online kptm edu my 1 48

handbook for international students connecticut college - Feb 26 2022

web international applicants interested in applying to connecticut college should visit the admission office website for information on the application process international students p 860 439 2053 e cpatton conncoll edu mailing address

connecticut handbook moon spotlight connecticut by andrew - Nov 06 2022

web may 21 2023 connecticut handbook moon spotlight connecticut by andrew collins connecticut handbook moon spotlight connecticut by andrew collins osa fundamentals of 3d imaging and displays a tutorial space careers a universe of options career outlook u s list of asian american jurists culture and values starbucks coffee

connecticut handbook moon spotlight connecticut by andrew - Jan 28 2022

web connecticut handbook moon spotlight connecticut by andrew collins beetlejuice 1988 imdb groups trac space careers a universe of options career outlook u s new books in politics free politics book pdf ebook download stanley black amp decker sarah moon 19 to mass maritime department of english mystic seaport museum the nation s leading

moon spotlight connecticut by michael blanding overdrive - Jul 14 2023

web may 3 2011 moon spotlight connecticut is a 60 page compact guide covering the best of the state s regions including

connecticut river valley the quiet corner greater new haven and fairfield county travel writers michael blanding and alexandra hall offer their firsthand advice on what sights are must sees and sightseeing highlight maps make [amazon com customer reviews moon handbook connecticut connecticut](#) - Jun 13 2023

web find helpful customer reviews and review ratings for moon handbook connecticut connecticut handbook 1st ed at amazon com read honest and unbiased product reviews from our users [moon spotlight connecticut worldcat org](#) - Apr 11 2023

web cookies on oclc websites our web pages use cookies information about how you interact with the site when you select accept all cookies you re agreeing to let your browser store that data on your device so that we can provide you with a better more relevant experience

[moon handbook connecticut connecticut handbook 1st ed](#) - Aug 15 2023

web may 1 2000 moon handbook connecticut connecticut handbook 1st ed on amazon com free shipping on qualifying offers moon handbook connecticut connecticut handbook 1st ed

connecticut handbook moon spotlight connecticut uniport edu - Jul 02 2022

web aug 19 2023 connecticut handbook moon spotlight connecticut 2 8 downloaded from uniport edu ng on august 19 2023 by guest sanctuary sweet revenge and many other bestsellers comes her classic novel of hollywood s brightest stars and darkest schemes available in hardcover for the first time she is the last of the movie goddesses and the *moon handbooks connecticut handbook by andrew collins goodreads* - Feb 09 2023

web jan 1 2000 collins speaks to every budget and taste covering both major destinations and out of the way spots including recreational attractions written with a sense of humor and an insider s edge connecticut handbook will please both first time visitors and locals looking for memorable weekend trips

connecticut handbook moon spotlight connecticut by andrew - Sep 04 2022

web connecticut handbook moon spotlight connecticut by andrew collins 2020 senior portfolio virtual exhibition department of art camp jewell ymca overnight camp summer camp retreat nsr breeder directory national swine registry books for people with print disabilities free books how to style a fair isle sweater cloudmom guy fishman new *connecticut handbook connecticut handbook 1st ed taschenbuch amazon de* - Mar 10 2023

web connecticut handbook connecticut handbook 1st ed collins andrew amazon de bücher

moon handbooks connecticut worldcat org - Jan 08 2023

web add tags for moon handbooks connecticut be the first similar items related subjects 2 connecticut guidebooks

connecticut confirm this request you may have already requested this item please select ok if you would like to proceed with this request anyway languages

connecticut handbook moon spotlight connecticut full pdf - Sep 16 2023

web connecticut handbook moon spotlight connecticut is available in our book collection an online access to it is set as public so you can get it instantly our book servers spans in multiple countries allowing you to get the most less latency time to download any of our books like this one

connecticut handbook journal magazine 2000 worldcat org - Apr 30 2022

web genre form guidebooks document type journal magazine newspaper all authors contributors moon publications oclc number 44647209 notes vols for august