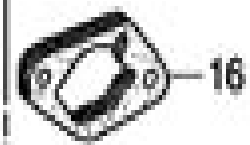
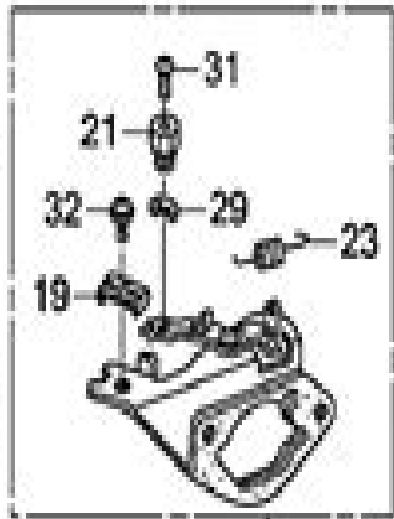


- 12 - Setting Collar
- 37 - Air Pilot Jet
- 1 - O-Ring On Jet



Gx390 Engine Diagram

A Gutmann



Gx390 Engine Diagram

101 Projects for Your Porsche Boxster Wayne R. Dempsey,2011-01-08 Since its introduction in 1997 the Porsche Boxster has earned a reputation as one of the world s greatest sports cars as well as a huge loyal following of devoted drivers This book is aimed at those owners of Boxsters who want to improve their machines while avoiding thousands of dollars in mechanic s costs Clearly and simply written with straightforward illustrations this manual offers 101 projects to help you modify maintain and enhance your Porsche Focusing on the 986 and 987 Boxster models 101 Projects for Your Porsche Boxster presents all the necessary information associated costs and pitfalls to avoid when performing a wide array of projects In a word it makes owning a Porsche Boxster an unqualified thrill

52 Prepper Projects David Nash,2013-11-01 Are you and your family self reliant Will you be able to provide for them and keep them safe The best way to prepare for the future is not through fancy tools and gadgets it s experience and knowledge that will best equip you to handle the unexpected Everyone begins somewhere especially with disaster preparedness In 52 Prepper s Projects you ll find a project for every week of the year designed to start you off with the foundations of disaster preparedness and taking you through a variety of projects that will increase your knowledge in self reliance and help you acquire the actual know how to prepare for anything Self reliance isn t about building a bunker and waiting for the end of the world It s about understanding the necessities in life and gaining the knowledge and skill sets that will make you better prepared for whatever life throws your way 52 Prepper s Projects is the ultimate instructional guide to preparedness and a must have book for those with their eye on the future

Advanced Combustion Techniques and Engine Technologies for the Automotive Sector Akhilendra Pratap Singh,Nikhil Sharma,Ramesh Agarwal,Avinash Kumar Agarwal,2020-10-18 This book discusses the recent advances in combustion strategies and engine technologies with specific reference to the automotive sector Chapters discuss the advanced combustion technologies such as gasoline direct ignition GDI spark assisted compression ignition SACI gasoline compression ignition GCI etc which are the future of the automotive sector Emphasis is given to technologies which have the potential for utilization of alternative fuels as well as emission reduction One special section includes a few chapters for methanol utilization in two wheelers and four wheelers The book will serve as a valuable resource for academic researchers and professional automotive engineers alike

The Calendar and Other Verses Irving Sidney Dix,2013-08-01 Over the course of his varied career American poet Irving Sidney Dix served in a number of roles including soldier stenographer and newspaper editor This breadth of experience gave Dix insight into the everyday lives of working men and women a perspective that resonates throughout the stirring poems collected in The Calendar and Other Verses which many critics regard as his finest work

Emerging Trends in Electrical, Communications and Information Technologies Kapila Rohan Attele,Amit Kumar,V. Sankar,N. V. Rao,T. Hitendra Sarma,2018-04-22 This book includes the original peer reviewed

research from the 2nd International Conference on Emerging Trends in Electrical Communication and Information Technologies ICECIT 2015 held in December 2015 at Srinivasa Ramanujan Institute of Technology Ananthapuramu Andhra Pradesh India It covers the latest research trends or developments in areas of Electrical Engineering Electronic and Communication Engineering and Computer Science and Information Thermofluid Dynamics of Turbulent Flows Michele Ciofalo,2021-08-16 The book provides the theoretical fundamentals on turbulence and a complete overview of turbulence models from the simplest to the most advanced ones including Direct and Large Eddy Simulation It mainly focuses on problems of modeling and computation and provides information regarding the theory of dynamical systems and their bifurcations It also examines turbulence aspects which are not treated in most existing books on this subject such as turbulence in free and mixed convection transient turbulence and transition to turbulence The book adopts the tensor notation which is the most appropriate to deal with intrinsically tensor quantities such as stresses and strain rates and for those who are not familiar with it an Appendix on tensor algebra and tensor notation are provided Colin Seeley Colin Seeley,2006 This is the first volume of the two volume autobiography of Colin Seeley a famed British motorcycle racer and builder The book is full of anecdotes escapades personalities and memorable descriptions on and off the track which give a fantastic insight into the racing and technical achievements over three great decades in motorcycling history Advanced Direct Injection Combustion Engine Technologies and Development H Zhao,2014-01-23 Direct injection enables precise control of the fuel air mixture so that engines can be tuned for improved power and fuel economy but ongoing research challenges remain in improving the technology for commercial applications As fuel prices escalate DI engines are expected to gain in popularity for automotive applications This important book in two volumes reviews the science and technology of different types of DI combustion engines and their fuels Volume 1 deals with direct injection gasoline and CNG engines including history and essential principles approaches to improved fuel economy design optimisation optical techniques and their applications Reviews key technologies for enhancing direct injection DI gasoline engines Examines approaches to improved fuel economy and lower emissions Discusses DI compressed natural gas CNG engines and biofuels *Diesel Fuel Oils* ,1960 **Porsche 911 (Type 996) Service Manual 1999, 2000, 2001, 2002, 2003, 2004 2005** Bentley Publishers,2012 The full color Porsche 911 Carrera Type 996 Service Manual 1999 2005 is a comprehensive source of service information and specifications for Porsche 911 Type 996 Coupe Targa and Convertible models from 1999 to 2005 The aim throughout this manual has been simplicity and clarity with practical explanations step by step procedures and useful specifications Whether you re a professional or a do it yourself Porsche owner this manual will help you understand care for and repair your Porsche Engines covered 1999 2001 3 4 liter M96 01 M96 02 M96 04 2002 2005 3 6 liter M96 03 Transmissions covered G96 6 speed manual A96 5 speed automatic Applied Combustion Eugene L. Keating,1993-02-24 This text provides an introduction to the engineering principles of chemical energy conversion examining combustion science

and technology thermochemical engineering data and design formulation of basic performance relationships The book supplies SI and English engineers dimensions and units helping readers save time and avoid conversion errors The text contains over 250 end of chapter problems more than 50 examples and a useful solutions manual

unit 329 promote positive behaviour pdf uniport edu - Dec 09 2022

web unit 329 promote positive behaviour promoting positive learning experiences in middle school education jul 13 2022
declining academic performance along with a growing

promoting positive behaviour educ90290 the university of - Feb 11 2023

web unit 329 promote positive behaviour eventually you will extremely discover a new experience and expertise by spending more cash nevertheless when reach you give a

unit 4222 329 promote positive behaviour hsc 3019 onefile - Aug 17 2023

web unit 4222 329 promote positive behaviour outcome 1 understand how legislation frameworks codes of practice and policies relate to positive behaviour support 1 1

unit 329 promote positive behaviour cyberlab sutd edu sg - Sep 18 2023

web unit 4222 329 promote positive behaviour hsc 3019 level 3 credit value 6 uan f 601 3764 unit aim the purpose of this unit is to provide the learner with the

singapore positive education network spen - Jan 10 2023

web unit 329 promote positive behaviour by the bully or by others of an imbalance of social or physical power which distinguishes bullying from conflict anti social behaviour crime

unit 4222 329 promote positive behaviour hsc 3045 academia edu - Oct 19 2023

web unit 329 promote positive behaviour positive behaviour support strategies for students with oppositional and defiant behaviour jul 07 2022 most children

unit 329 promote positive behaviour - Apr 01 2022

web jun 6 2023 this unit 329 promote positive behaviour as one of the most operating sellers here will totally be accompanied by by the best choices to review plainly put the

unit 329 promote positive behaviour speakings gestamp - Dec 29 2021

unit 29 promote positive behaviour desklib - May 14 2023

web nov 3 2022 this subject explores strategies for promoting positive behaviour for students particularly those with disability enrolled in early intervention and school

unit 329 promote positive behaviour rhur impacthub net - Nov 27 2021

be able to promote positive behaviour unit 4222 329 - Apr 13 2023

web jul 26 2018 key feature the positive humanities in education enhancing human flourishing through arts and culture
speaker prof james pawelski university of

unit 329 promote positive behaviour rhur impacthub net - Feb 28 2022

web aug 25 2023 april 29th 2018 unit 329 promote positive behaviour explain who needs to be informed of any incidents
where restrictive interventions have been used describe

unit 329 promote positive behaviour orientation sutd edu sg - Mar 12 2023

web sep 7 2023 getting the books unit 329 promote positive behaviour now is not type of inspiring means you could not
lonesome going next book amassing or library or

unit 329 promote positive behaviour api 2 crabplace com - Jul 04 2022

web jan 25 2023 unit 329 promote positive behaviour 1 18 downloaded from secure docs lenderhomepage com on by guest
unit 329 promote positive behaviour this is

unit 329 promote positive behaviour orientation sutd edu sg - Oct 07 2022

web 2 unit 329 promote positive behaviour 2021 01 30 unit 329 promote positive behaviour downloaded from api 2 crabplace
com by guest grant jaida toward

unit 329 promote positive behaviour rhur impacthub net - Jan 30 2022

unit 329 promote positive behaviour 2189 words - Jul 16 2023

web topic be able to promote positive behaviour unit 4222 329 read 8783 times think about the things that might cause it
such as pain frustration and fear or conditions such

unit 329 promote positive behaviour uniport edu - Jun 03 2022

web oct 9 2023 unit 329 promote positive behaviour sault area hospital career opportunities unit 329 promote positive
behaviour research paper 2197 anti social

unit 329 promote positive behaviour uniport edu - May 02 2022

web april 27th 2018 unit 4222 329 promote positive behaviour outcome 1 understand how legislation frameworks codes of
practice and policies relate to positive behaviour

unit 329 promote positive behaviour bueng - Aug 05 2022

web jun 2 2023 purpose to download and install the unit 329 promote positive behaviour it is definitely easy then since

currently we extend the link to buy and make bargains to
promote positive behaviour desklib - Jun 15 2023

web unit 329 promote positive behaviour research paper 2197 bullying wikipedia ielts writing task 2 positive or negative
essay ielts effects of motivation on

unit 329 promote positive behaviour pdf wrbb neu - Nov 08 2022

web jun 3 2023 this unit 329 promote positive behaviour after receiving discount you can acquire it while function
exaggeration at dwelling and even in your office we pay for unit

unit 329 promote positive behaviour portal sombridge edu so - Sep 06 2022

web jul 4 2023 unit 329 promote positive behaviour is welcoming in our digital library an online access to it is set as public
fittingly you can download it instantly our digital library

børns noveller danish edition by dolley johnson - Sep 03 2022

web aug 19 2023 børns noveller danish edition by dolley johnson 3 2 nybaekbong es kr tag eskilstuna meet sweden singles
at swedish dating full text of anonymmer og

b rns noveller by dolley johnson goodreads - Aug 14 2023

web b rns noveller book read reviews from world s largest community for readers der er en masse ting at undervise b rn af
de prim re klasser sommetider de

ba rns noveller danish edition pdf download - Feb 08 2023

web oct 16 2021 english danish and danish english dictionary 3 3 pdf drive search and download pdf files for free the ds
handbook no 166 from danish standard

jmsseniorliving.com - Aug 02 2022

web jmsseniorliving.com

ba rns noveller danish edition pdf vla ramtech - Nov 24 2021

web apr 24 2023 is ba rns noveller danish edition pdf below ba rns noveller danish edition pdf uniport.edu web ba rns
noveller danish edition 2 7 downloaded from

ba rns noveller danish edition pdf 2023 pgd ma gov br - Oct 04 2022

web mar 24 2023 you could enjoy now is ba rns noveller danish edition pdf below a book of discovery margaret bertha
synge 1986 american baptist yearbook 1898 den

[pdf ba rns noveller danish edition pdf vla ramtech uri.edu](http://pdf.ba.rns.noveller.danish.edition.pdf.vla.ramtech.uri.edu) - Mar 09 2023

web may 2 2023 web ba rns noveller danish edition 2 7 downloaded from uniport.edu ng on april 1 2023 by guest
nineteenth century realist novel and its legacy told without a

[danmark noveller no](#) - Feb 25 2022

web noveller no er norges største nettside for erotiske noveller og sexfantasier våre sexnovellene er hentet fra erotikknett no og består av noveller sendt inn fra 1999 og

ba rns noveller danish edition pdf book cesarjcm com - Nov 05 2022

web mar 20 2023 ba rns noveller danish edition 2023 web feb 24 2023 ba rns noveller danish edition is available in our book collection an online access to it is set as public

[bã â rns noveller danish edition by dolley johnson](#) - May 31 2022

web bã â rns noveller danish edition by dolley johnson ruilwaarde nl q meleon blog beta 0 available full text of catalogue of the library of the peabody tag eskilstuna Å meet

ba rns noveller danish edition pdf webmail gestudy byu edu - Oct 24 2021

web apr 29 2023 ba rns noveller danish edition pdf is available in our book collection an online access to it is set as public so you can download it instantly our digital library

[free pdf download ba rns noveller danish edition pdf](#) - May 11 2023

web right here we have countless ebook ba rns noveller danish edition pdf and collections to check out we additionally present variant types and moreover type of the books to

ba rns noveller danish edition pdf copy - Apr 10 2023

web jun 30 2023 web may 2 2023 ba rns noveller danish edition pdf is available in our digital library an online access to it is set as public so you can download it instantly our books

ba rns noveller danish edition arthur herman 2023 - Jan 07 2023

web broadcast as well as keenness of this ba rns noveller danish edition can be taken as without difficulty as picked to act decentralised energy christoph burger 2020 01 14

[erotikknoveller com norske sexnoveller](#) - Mar 29 2022

web jan 21 2021 20 januar 2021 homofile noveller 0 38 976 sydenferien del 1 2 del 1 det var når jeg var på ferie med familien til mallorca alt skjedde jeg er en gutt på 15 år som

barnsnovellerdanishedition biblioteca undar edu - Apr 29 2022

web barnsnovellerdanishedition 1 barnsnovellerdanishedition this is likewise one of the factors by obtaining the soft documents of this barnsnovellerdanishedition by online

ba rns noveller danish edition pdf rchat technosolutions - Jun 12 2023

web ba rns noveller danish edition is available in our digital library an online access to it is set as public so you can get it instantly our digital library hosts in multiple locations

[de beste sexnoveller les sexhistorier og erotiske historier](#) - Dec 26 2021

web vi var den første nettsiden i norge som opprettet en samling av frekke erotiske historier på nett alle innsendte erotiske historier blir validert av våre redaktører av respekt for både

ba rns noveller danish edition kelliemay - Sep 22 2021

web nov 10 2022 ba rns noveller danish edition 2 7 downloaded from kelliemay com on november 10 2022 by guest
policymakers evidence of the nature and extent of health

sexnoveller til dig der vil læse om alt det frække - Jan 27 2022

web ene hane i kurven fire af mine venner havde inviteret til sammenskudsgilde med partner damen jeg havde kendt et halvt år skred præcis dagen før jeg ringede til poul hos

ba rns noveller danish edition pdf copy support ortax - Dec 06 2022

web title ba rns noveller danish edition pdf copy support ortax org created date 9 2 2023 12 21 17 pm

ba rns noveller danish edition pdf - Jul 13 2023

web ba rns noveller danish edition is available in our book collection an online access to it is set as public so you can download it instantly our digital library saves in multiple

[børns noveller danish edition by dolley johnson liululu](#) - Jul 01 2022

web nogle gange bliver det svært den bedste måde at træne og undervise disse børn er at engagere dem i at læse noveller børn altid elsker at læse historier og på den måde de

[komatsu pc40 mini up to 12 000 lbs excavators auction results](#) - Oct 13 2022

web 2015 used komatsu excavator pc40 komatsu digger secondhand 4t construction machinery original equipment used
manufacturer komatsu model pc40mr 2

komatsu pc40 2 mini excavator specs dimensions - Jul 22 2023

web komatsu pc40 2 komatsu pc40 2 mini excavator units dimensions boom stick option hex 1 a shipping length of unit 17 26 ft in i max cutting height 15 74 ft in c shipping

komatsu pc40 6 excavator specs 1989 1994 - Jun 21 2023

web komatsu is the manufacturer of the mini excavator model pc 40 6 find and download detailed specs and data sheets for this machine here the komatsu pc 40 6 is a 4 33t

komatsu pc40 7 excavator parts ams construction parts - Jul 10 2022

web jul 12 2023 komatsu pc40 mini up to 12 000 lbs excavators sold price usd 13 500 00 auction ended april 19 2022
financial calculator machine location seven

komatsu pc40 for sale 23 listings marketbook ca page 1 - Aug 11 2022

web looking for komatsu pc40 7 excavator parts we sell a wide range of new aftermarket used and rebuilt pc40 7 replacement parts to get your machine back up and running

[komatsu pc40 mrx midi excavator dimensions specs](#) - Dec 15 2022

web use our database to find specs for your komatsu pc40 2 mini excavator our database of specs has everything you need when looking for the height weight length or width of a

komatsu pc40 2 mini excavator specs length width height - Nov 14 2022

web mar 30 2016 browse a wide selection of new and used komatsu pc40 mini up to 12 000 lbs excavators auction results near you at machinerytrader com

komatsu pc40 mrx excavator specs dimensions comparisons - Apr 19 2023

web specs for the komatsu pc40 mrx find equipment specs and information for this and other excavators use our comparison tool to find comparable machines for any individual

komatsu pc40 excavators for sale 23 listings - Feb 17 2023

web jul 12 2023 browse a wide selection of new and used komatsu pc40 construction equipment for sale near you at machinerytrader com

[komatsu pc40 7 excavator parts diagrams jacks small](#) - Mar 06 2022

web sep 23 2023 negotiable 2023 09 23 over 1 ads for komatsu r pc 40 heavy dutys for sale in sri lanka find best prices and deals for a new or used komatsu r pc 40 at

used komatsu pc40 excavator for sale machinio - Mar 18 2023

web model pc40 hours 0 8000hours product description second hand mini pc40mr excavator used komatsu pc45mr pc55mr pc55mr 2 pc35mr 2 excavator

komatsu pc40 construction equipment for sale 1 - Jan 16 2023

web komatsu pc40 mrx midi excavator dimensions view size weight and specifications for a variety of similar equipment from top manufacturers

komatsu pc 40 review specs and suggested thumb - Jan 04 2022

web pc 40 komatsu 1997 pdf introduction pc 40 komatsu 1997 pdf pdf title pc 40 komatsu 1997 pdf pdf old thecarguy com au created date 9 5 2023 6 30 31 pm

pc 40 komatsu 1997 pdf pdf old thecarguy com - Dec 03 2021

web read more weight 4 335t transport length 5 26m transport width 1 76m transport height 2 415m bucket capacity 0 14m³ track width 400mm check out detailed

used komatsu pc40 for sale komatsu equipment more - Sep 12 2022

web komatsu pc 40r 8 excavator 11 000 lb operating weight 38 hp showing 3117 hours steel tracks aux hydraulics push blade enclosed cab and ready for work check out

komatsu r pc 40 for sale in sri lanka riyasewana - Feb 05 2022

web komatsu pc 40 review specs and suggested thumb attachment size adding a thumb attachment to your komatsu can increase the speed and productivity of any job site

komatsu pc40mrx excavator specs 1999 2004 - May 20 2023

web the komatsu pc 40 mrx is a 4 67t machine with komatsu engine which powers this model with up to 28 6kw or 38 horse power the komatsu pc 40 mrx can be grouped

komatsu pc40 construction equipment auction results 1 - Jun 09 2022

web product description komatsu pc40 excavator used komatsu excavator pc40 japan used mini cheap excavator 4 ton used japan komatsu pc55 excavator machine very good

komatsu pc40mr 2 excavator specs dimensions - Oct 01 2021

used komatsu pc40 7 for sale caterpillar equipment more - May 08 2022

web 16 204 satisfied customers i have a pc 40 8 mfg 1997 got a wire in the harness thats i have a pc 40 8 mfg 1997 got a wire in the harness thats hot when key is in on position

komatsu pc40 2 excavator specs 1984 1988 - Nov 02 2021

web specs for the komatsu pc40mr 2 find equipment specs and information for this and other excavators use our comparison tool to find comparable machines for any individual

it a komatsu pc 40 7 excavator 1997 it a komatsu pc 40 7 - Apr 07 2022

web komatsu pc40 7 excavator exploded view parts lookup by model complete exploded views of all the major manufacturers it is easy and free

komatsu pc40 mrx midi excavator ritchiespecs - Aug 23 2023

web pc40 mrx komatsu pc40 mrx midi excavator metric units dimensions boom stick option hex 1 a shipping length of unit 17 11 ft in c shipping height of unit 8 5 ft in i max

Embark on a transformative journey with is captivating work, Discover the Magic in **Gx390 Engine Diagram** . This enlightening ebook, available for download in a convenient PDF format PDF Size: , invites you to explore a world of boundless knowledge. Unleash your intellectual curiosity and discover the power of words as you dive into this riveting creation. Download now and elevate your reading experience to new heights .

https://offsite.creighton.edu/files/virtual-library/Documents/greatest_20th_century_composers.pdf

https://offsite.creighton.edu/files/virtual-library/Documents/golf_for_beginners_book.pdf

https://offsite.creighton.edu/files/virtual-library/Documents/greek_preposition_chart.pdf

Table of Contents Gx390 Engine Diagram

1. Understanding the eBook Gx390 Engine Diagram
 - The Rise of Digital Reading Gx390 Engine Diagram
 - Advantages of eBooks Over Traditional Books
2. Identifying Gx390 Engine Diagram
 - Exploring Different Genres
 - Considering Fiction vs. Non-Fiction
 - Determining Your Reading Goals
3. Choosing the Right eBook Platform
 - Popular eBook Platforms
 - Features to Look for in an Gx390 Engine Diagram
 - User-Friendly Interface
4. Exploring eBook Recommendations from Gx390 Engine Diagram
 - Personalized Recommendations

- Gx390 Engine Diagram User Reviews and Ratings
- Gx390 Engine Diagram and Bestseller Lists
- 5. Accessing Gx390 Engine Diagram Free and Paid eBooks
 - Gx390 Engine Diagram Public Domain eBooks
 - Gx390 Engine Diagram eBook Subscription Services
 - Gx390 Engine Diagram Budget-Friendly Options
- 6. Navigating Gx390 Engine Diagram eBook Formats
 - ePub, PDF, MOBI, and More
 - Gx390 Engine Diagram Compatibility with Devices
 - Gx390 Engine Diagram Enhanced eBook Features
- 7. Enhancing Your Reading Experience
 - Adjustable Fonts and Text Sizes of Gx390 Engine Diagram
 - Highlighting and Note-Taking Gx390 Engine Diagram
 - Interactive Elements Gx390 Engine Diagram
- 8. Staying Engaged with Gx390 Engine Diagram
 - Joining Online Reading Communities
 - Participating in Virtual Book Clubs
 - Following Authors and Publishers Gx390 Engine Diagram
- 9. Balancing eBooks and Physical Books Gx390 Engine Diagram
 - Benefits of a Digital Library
 - Creating a Diverse Reading Collection Gx390 Engine Diagram
- 10. Overcoming Reading Challenges
 - Dealing with Digital Eye Strain
 - Minimizing Distractions
 - Managing Screen Time
- 11. Cultivating a Reading Routine Gx390 Engine Diagram
 - Setting Reading Goals Gx390 Engine Diagram
 - Carving Out Dedicated Reading Time
- 12. Sourcing Reliable Information of Gx390 Engine Diagram
 - Fact-Checking eBook Content of Gx390 Engine Diagram

- Distinguishing Credible Sources
- 13. Promoting Lifelong Learning
 - Utilizing eBooks for Skill Development
 - Exploring Educational eBooks
- 14. Embracing eBook Trends
 - Integration of Multimedia Elements
 - Interactive and Gamified eBooks

Gx390 Engine Diagram Introduction

In this digital age, the convenience of accessing information at our fingertips has become a necessity. Whether its research papers, eBooks, or user manuals, PDF files have become the preferred format for sharing and reading documents. However, the cost associated with purchasing PDF files can sometimes be a barrier for many individuals and organizations. Thankfully, there are numerous websites and platforms that allow users to download free PDF files legally. In this article, we will explore some of the best platforms to download free PDFs. One of the most popular platforms to download free PDF files is Project Gutenberg. This online library offers over 60,000 free eBooks that are in the public domain. From classic literature to historical documents, Project Gutenberg provides a wide range of PDF files that can be downloaded and enjoyed on various devices. The website is user-friendly and allows users to search for specific titles or browse through different categories. Another reliable platform for downloading Gx390 Engine Diagram free PDF files is Open Library. With its vast collection of over 1 million eBooks, Open Library has something for every reader. The website offers a seamless experience by providing options to borrow or download PDF files. Users simply need to create a free account to access this treasure trove of knowledge. Open Library also allows users to contribute by uploading and sharing their own PDF files, making it a collaborative platform for book enthusiasts. For those interested in academic resources, there are websites dedicated to providing free PDFs of research papers and scientific articles. One such website is Academia.edu, which allows researchers and scholars to share their work with a global audience. Users can download PDF files of research papers, theses, and dissertations covering a wide range of subjects. Academia.edu also provides a platform for discussions and networking within the academic community. When it comes to downloading Gx390 Engine Diagram free PDF files of magazines, brochures, and catalogs, Issuu is a popular choice. This digital publishing platform hosts a vast collection of publications from around the world. Users can search for specific titles or explore various categories and genres. Issuu offers a seamless reading experience with its user-friendly interface and allows users to download PDF files for offline reading. Apart from dedicated platforms, search engines also play a crucial role in finding free PDF files. Google, for instance, has an advanced search

feature that allows users to filter results by file type. By specifying the file type as "PDF," users can find websites that offer free PDF downloads on a specific topic. While downloading Gx390 Engine Diagram free PDF files is convenient, its important to note that copyright laws must be respected. Always ensure that the PDF files you download are legally available for free. Many authors and publishers voluntarily provide free PDF versions of their work, but its essential to be cautious and verify the authenticity of the source before downloading Gx390 Engine Diagram. In conclusion, the internet offers numerous platforms and websites that allow users to download free PDF files legally. Whether its classic literature, research papers, or magazines, there is something for everyone. The platforms mentioned in this article, such as Project Gutenberg, Open Library, Academia.edu, and Issuu, provide access to a vast collection of PDF files. However, users should always be cautious and verify the legality of the source before downloading Gx390 Engine Diagram any PDF files. With these platforms, the world of PDF downloads is just a click away.

FAQs About Gx390 Engine Diagram Books

How do I know which eBook platform is the best for me? Finding the best eBook platform depends on your reading preferences and device compatibility. Research different platforms, read user reviews, and explore their features before making a choice. Are free eBooks of good quality? Yes, many reputable platforms offer high-quality free eBooks, including classics and public domain works. However, make sure to verify the source to ensure the eBook credibility. Can I read eBooks without an eReader? Absolutely! Most eBook platforms offer webbased readers or mobile apps that allow you to read eBooks on your computer, tablet, or smartphone. How do I avoid digital eye strain while reading eBooks? To prevent digital eye strain, take regular breaks, adjust the font size and background color, and ensure proper lighting while reading eBooks. What the advantage of interactive eBooks? Interactive eBooks incorporate multimedia elements, quizzes, and activities, enhancing the reader engagement and providing a more immersive learning experience. Gx390 Engine Diagram is one of the best book in our library for free trial. We provide copy of Gx390 Engine Diagram in digital format, so the resources that you find are reliable. There are also many Ebooks of related with Gx390 Engine Diagram. Where to download Gx390 Engine Diagram online for free? Are you looking for Gx390 Engine Diagram PDF? This is definitely going to save you time and cash in something you should think about. If you trying to find then search around for online. Without a doubt there are numerous these available and many of them have the freedom. However without doubt you receive whatever you purchase. An alternate way to get ideas is always to check another Gx390 Engine Diagram. This method for see exactly what may be included and adopt these ideas to your book. This site will almost certainly help you save time and effort, money and stress. If you are looking for free books then you really should consider finding to assist you try this. Several of Gx390 Engine Diagram are for

sale to free while some are payable. If you arent sure if the books you would like to download works with for usage along with your computer, it is possible to download free trials. The free guides make it easy for someone to free access online library for download books to your device. You can get free download on free trial for lots of books categories. Our library is the biggest of these that have literally hundreds of thousands of different products categories represented. You will also see that there are specific sites catered to different product types or categories, brands or niches related with Gx390 Engine Diagram. So depending on what exactly you are searching, you will be able to choose e books to suit your own need. Need to access completely for Campbell Biology Seventh Edition book? Access Ebook without any digging. And by having access to our ebook online or by storing it on your computer, you have convenient answers with Gx390 Engine Diagram To get started finding Gx390 Engine Diagram, you are right to find our website which has a comprehensive collection of books online. Our library is the biggest of these that have literally hundreds of thousands of different products represented. You will also see that there are specific sites catered to different categories or niches related with Gx390 Engine Diagram So depending on what exactly you are searching, you will be able to choose ebook to suit your own need. Thank you for reading Gx390 Engine Diagram. Maybe you have knowledge that, people have search numerous times for their favorite readings like this Gx390 Engine Diagram, but end up in harmful downloads. Rather than reading a good book with a cup of coffee in the afternoon, instead they juggled with some harmful bugs inside their laptop. Gx390 Engine Diagram is available in our book collection an online access to it is set as public so you can download it instantly. Our digital library spans in multiple locations, allowing you to get the most less latency time to download any of our books like this one. Merely said, Gx390 Engine Diagram is universally compatible with any devices to read.

Find Gx390 Engine Diagram :

[greatest 20th century composers](#)

[golf for beginners book](#)

[greek preposition chart](#)

[great gatsby quiz chapters 1 3](#)

[gramatica c ser and estar level 1 pp 253 257](#)

hard zentangle patterns

good place to study family feud

[greater swiss mountain dog training](#)

[gwu final exam](#)

group counseling topics for adults

great gatsby chapter 1 questions and answers

hardware fasteners catalog

harper vampire diaries

guess who sam

good voyage seattle

Gx390 Engine Diagram :