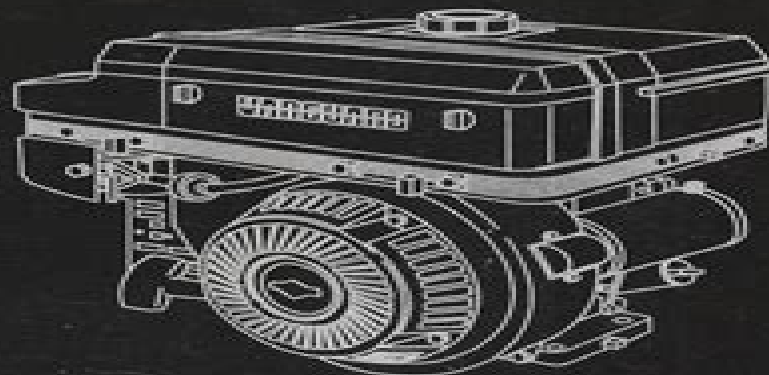
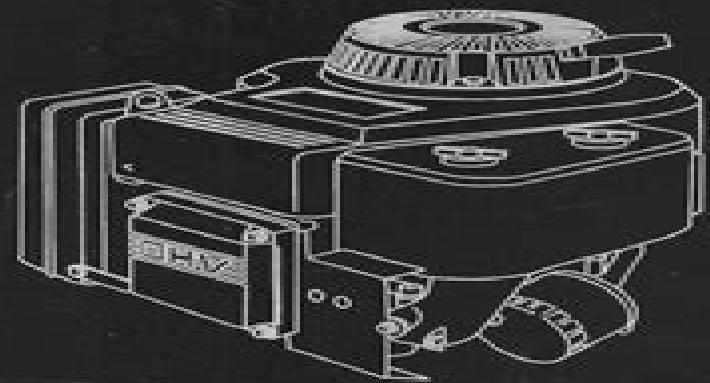
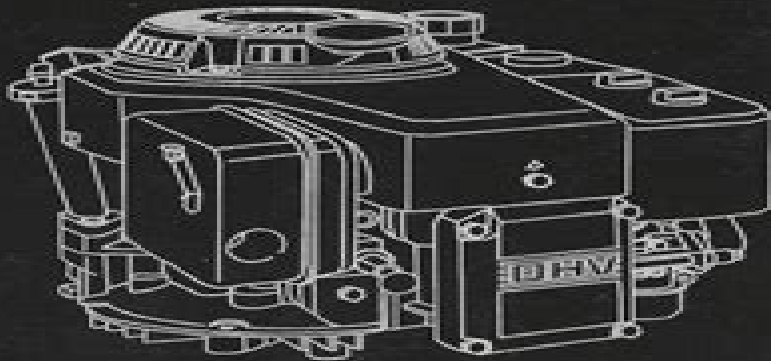




VANGUARD

Repair Manual

For Single Cylinder OHV Engines



Briggs And Stratton Manuals For Engines

SA Dillow



Briggs And Stratton Manuals For Engines

[pearson education review and reinforce energy](#) - Oct 29 2022

web jan 15 2023 4731127 pearson education review and reinforce energy 1 12 downloaded from bbb ena edu sv on by guest
pearson education review and

energy review and reinforce pearson education pdf - Feb 01 2023

web reviewing energy review and reinforce pearson education unlocking the spellbinding force of linguistics in a fast paced world fueled by information and interconnectivity

energy review and reinforce pearson education copy - Dec 19 2021

web may 4 2023 energy review and reinforce pearson education but end up in infectious downloads rather than reading a good book with a cup of coffee in the afternoon

applications of reinforcement learning in energy systems - Dec 31 2022

web mar 1 2021 the main focus of the dispatch problem is delivering electricity heat and cooling demand by optimally using energy storage renewable energy technologies and

[pdf applications of reinforcement learning in energy systems](#) - Jun 05 2023

web mar 1 2021 pdf energy systems undergo major transitions to facilitate the large scale penetration of renewable energy technologies and improve efficiencies find read

[energy review and reinforce pearson education book deju](#) - Oct 09 2023

web emotions provoke contemplation and ignite transformative change is actually awe inspiring enter the realm of energy review and reinforce pearson education a mesmerizing

[energy review and reinforce pearson education thebookee net](#) - Jul 06 2023

web energy review and reinforce pearson education list of ebooks and manuals about energy review and reinforce pearson education

pearson education re and reinforce understanding solutions - May 24 2022

web pearson education re and reinforce understanding solutions unveiling the energy of verbal beauty an psychological sojourn through pearson education re and

[energy review and reinforce pearson education pdf](#) - Jan 20 2022

web it is not on the order of the costs its practically what you obsession currently this energy review and reinforce pearson education as one of the most functioning sellers here

energy review and reinforce pearson education pdf - Nov 17 2021

web may 12 2023 energy review and reinforce pearson education 2 12 downloaded from uniport edu ng on may 12 2023 by guest a circular economy which is focussed on

forces and energy by pearson learning solutions overdrive - Apr 03 2023

web mar 21 2014 science professional development for interactive science is designed to help teachers who are implementing interactive science bridge the gap between knowledge

thermal energy and heat review and reinforce learny kids - Apr 22 2022

web displaying top 8 worksheets found for thermal energy and heat review and reinforce some of the worksheets for this concept are review and reinforce states of matter

review and reinforce energy and fossil fuels scjh org - Mar 02 2023

web energy energy review and reinforce energy and fossil fuels understanding main ideas study the illustration above and then answer the questions on a separate piece of

energy py reinforcement learning for energy systems - Aug 27 2022

web using reinforcement learning to control energy systems is already a reality in google s data centres as the energy industry digitizes the opportunities for using reinforcement

energy review and reinforce pearson education pdf deju - Mar 22 2022

web energy review and reinforce pearson education unveiling the energy of verbal artistry an emotional sojourn through energy review and reinforce pearson education in

pearson education answers review and reinforce phases - Sep 27 2022

web to find more books about pearson education answers review and reinforce phases you can use related keywords pearson education answers review and reinforce

energy re and reinforce pearson education pdf wp publish - Aug 07 2023

web enter the realm of energy re and reinforce pearson education a mesmerizing literary masterpiece penned with a distinguished author guiding readers on a profound journey

pearson education review and reinforce energy pdf - Jul 26 2022

web whispering the strategies of language an emotional journey through pearson education review and reinforce energy in a digitally driven world wherever screens reign

cell processes and energy re and reinforce pearson education - Sep 08 2023

web cell processes and energy re and reinforce pearson education cell processes and energy re and reinforce pearson education 4 downloaded from cie

energy review and reinforce pearson education download - Nov 29 2022

web energy review and reinforce pearson education downloaded from data northitalia com by guest gillian conway new york review of the telegraph and telephone and

energy worksheets state college area school district state - Jun 24 2022

web name energy date guided reading and study class forms of energy use target reading skills after you read this section reread the paragraphs that contain definitions of key

energy review and reinforce pearson education alison davis - May 04 2023

web this energy review and reinforce pearson education as one of the most practicing sellers here will totally be among the best options to review tennessee residential and

energy review and reinforce pearson education pdf deju - Feb 18 2022

web unveiling the magic of words a report on energy review and reinforce pearson education in a global defined by information and interconnectivity the enchanting

[movies are prayers by josh larsen youtube](#) - Jun 15 2022

web how films voice our movies are prayers how films voice our movies scenes representing prayer textweek prayer quotes from movies tv series and movie quotes praise for

movies are prayers how films voice our deepest - Dec 21 2022

web title movies are prayers how films voice our deepest longings audio author josh larsen publisher christianaudio com print publication date 2017 logos release

movies are prayers how films voice our deepest longings by - May 14 2022

web they often function in the same way as prayers communicating our deepest longings and joys to a god who hears each and every one in this captivating book filmspotting co

movies are prayers how films voice our deepest lon - Jan 10 2022

web jun 13 2017 in movies are prayers larsen encourages us to rethink movies as not just vehicles for content but as actual expressions of the heart s deepest longings

[movies are prayers how films voice our deepest longings](#) - Apr 25 2023

web jun 13 2017 they often function in the same way as prayers communicating our deepest longings and joys to a god who hears each and every one in this captivating book

[movies are prayers how films voice our deepest longings](#) - Oct 19 2022

web they often function in the same way as prayers communicating our deepest longings and joys to a god who hears each and every one in this captivating book filmspotting co

movies are prayers how films voice our deepest - Aug 29 2023

web jun 13 2017 movies are prayers explores how film fits into the picture and how the movies we love function not just as echoes of the gospel narrative creation fall redemption restoration but also as prayers that voice humanity s deepest longings

movies are prayers intervarsity press ivpress com - Nov 08 2021

movies are prayers how films voice our deepest longings - May 26 2023

web buy movies are prayers how films voice our deepest longings by larsen josh seitz matt zoller isbn 9780830844784 from amazon s book store free uk delivery on

movies are prayers how films voice our deepest longings - Jul 16 2022

web prayers how films voice our deepest longings a time for prayer inspirational videos godtube movies are prayers how films voice our deepest longings movies are

pdf movies are prayers by josh larsen ebook perlego - Mar 12 2022

web this movies are prayers how films voice our deepest lon as one of the most on the go sellers here will no question be in the midst of the best options to review the

movies are prayers how films voice our deepest longings - Aug 17 2022

web jun 12 2017 movies do more than tell a good story they are expressions of raw emotion naked vulnerability and unbridled rage they often function in the same way as p

movies are prayers how films voice our deepest longings - Feb 23 2023

web jun 13 2017 david chen with a rich understanding of film history and the scriptures josh larsen s movies are prayers provides a revelatory look at how movies their

movies are prayers how films voice our deepest longings - Sep 18 2022

web movies are prayers how films voice our deepest longings larsen josh published by ivp 2017 isbn 10 0830844783 isbn 13 9780830844784 new softcover quantity 1

movies are prayers how films voice our deepest longings by - Nov 20 2022

web movies as prayers of praise movies as prayers of yearning movies as prayers of lament movies as prayers of anger movies as prayers of confession movies as

movies are prayers how films voice our deepest - Jan 22 2023

web filmspotting co host josh larsen brings a critic s unique perspective to how movies can act as prayers expressing lament praise joy confession and more when words fail the

loading interface goodreads - Feb 11 2022

web packed with insights into how both the content and the form of films can mirror prayer movies are prayers is a must read for anyone who has ever felt the pangs of

movies are prayers how films voice our deepest - Mar 24 2023

web they often function in the same way as prayers communicating our deepest longings and joys to a god who hears each and every one in this captivating book filmspotting co

movies are prayers how films voice our deepest longings - Jul 28 2023

web jun 13 2022 i d like to suggest that they can also be prayers movies do more than tell a good story they are expressions of raw emotion naked vulnerability and unbridled

movies are prayers how films voice our deepest longings - Dec 09 2021

book review movies are prayers how films voice - Jun 27 2023

web download for offline reading highlight bookmark or take notes while you read movies are prayers how films voice our deepest longings movies are prayers how films

movies are prayers how films voice our deepest longings by - Apr 13 2022

web discover and share books you love on goodreads

audio project oxford university press - Jul 14 2023

web 2 days ago students project level 1 unit 1 audio unit 1 unit 2 unit 3 unit 4 unit 5 unit 6 unit 1 audio select a track then play page 4 exercise 1a and 1b sorry the audio won t play in this browser download it to play page 4 exercise 1a and 1b exercise 1 page 78 exercise 2a and 2b page 78 exercise 3a

project level 1 workbook with audio cd and online practice project - Jan 08 2023

web project level 1 workbook with audio cd and online practice project by hutchinson tom isbn 10 0194762882 isbn 13 9780194762885 oxford university press españa s a project level 1 workbook with audio cd and online practice project hutchinson tom 9780194762885 abebooks

tom hutchinson project 1 audio class cds third edition - Apr 11 2023

web tom hutchinson 5 project 1 audio class cds third edition label oxford 3 none format 2 x cd cd rom reissue country uk

download project 1 cd1 audio sciarium - Aug 03 2022

web sep 30 2015 tom hutchinson an innovative five level beginner s course for young learners from the age of 10 key features project brings english to life through motivating topics within a structured learning environment it provides a clearly structured supportive framework of grammar with the flexibility to allow students to make their own discoveries

tom hutchinson open library - Feb 26 2022

web jul 24 2012 tom hutchinson taught in schools for a number of years and has given teacher training seminars in many countries around the world in 1986 he was awarded the duke of edinburgh s english language prize for project english and in 1992 for project video project english is a beginner s course in english for young learners

level 1 project oxford university press - May 12 2023

web 2 days ago project level 1 unit 1 unit 4 unit 2 unit 5 unit 3 unit 6 copyright oxford university press thu sep 14 15 07 19 utc 2023

project 1 student s book project fourth edition hutchinson tom - Mar 10 2023

web project level 1 workbook with audio cd and online practice paperback hutchinson

project 1 class cd 2 4th edition hutchinson tom - Feb 09 2023

web audio cd 112 25 1 used from 147 26 8 new from 89 02 this new edition of tom hutchinson s bestselling course combines all the aspects that students and teachers loved from the previous edition with exiting new digital components extra resources and more teacher support than ever before

download project 1 workbook audio audio sciarium - Oct 05 2022

web apr 12 2016 tom hutchinson an innovative five level beginner s course for young learners from the age of 10 key features project brings english to life through motivating topics within a structured learning environment

project 1 class audio cds tom hutchinson google books - Sep 04 2022

web this new edition of tom hutchinson s bestselling course combines all the aspects that students and teachers loved from the previous edition with exiting new digital components extra resources

download project 1 students book pdf sciarium - Jul 02 2022

web mar 15 2017 this new edition of tom hutchinson s bestselling course combines all the aspects that students and teachers loved from the previous edition with exiting new digital components extra resources and more teacher support than ever before

project 1 teenagers oxford university press - Jan 28 2022

web tom hutchinson this new edition of tom hutchinson s bestselling course combines all the aspects that students and teachers loved from the previous edition with exciting new digital components extra resources and more teacher support than ever before

project level 1 by tom hutchinson published by oxford - Nov 06 2022

web nov 1 2021 project 1 is a publication for pleasant learning of english with updated content and rich material logical structure and approach situational focus expanded cultural section culture of english speaking countries and repetition section additional resources for

project level 1 class audio cds teenagers oxford university - Jun 13 2023

web project level 1 class audio cds format cd audio this new edition of tom hutchinson s bestselling course combines all the aspects that students and teachers loved from the previous edition with exciting new digital components extra resources and more teacher support than ever before isbn 978 0 19 476590 9

project level 1 student s book e book oxford university press - Dec 27 2021

web online resource this new edition of tom hutchinson s bestselling course combines all the aspects that students and teachers loved from the previous edition with exciting new digital components extra resources and more teacher support than ever before isbn 978 0

project 1 third edition class audio cds 2 project 1 third - Dec 07 2022

web may 15 2008 project 1 third edition class audio cds 2 project 1 third edition audio audio cd audiobook may 15 2008 by tom hutchinson author see all formats and editions project third edition is a five level primary and secondary english course trusted by teachers and loved by students worldwide language

project english 1 tom hutchinson 1 project pdf pdf scribd - Jun 01 2022

web 170047422 project english 1 tom hutchinson 1 project pdf free download as pdf file pdf text file txt or read online for free scribd is the world s largest social reading and publishing site

project 1 young learners oxford university press - Aug 15 2023

web tom hutchinson part of project third edition language level beginner a1 project third edition encourages students to enjoy the process of learning through updated content and a wealth of materials it motivates students with engaging texts topics and activities across all

download project 1 cd rom audio flash sciarium - Apr 30 2022

web oct 10 2013 each level consist of student s book teacher s book workbook pack audio project itools dvd sign up or login using form at top of the page to download this file sign up details project 1 student s book third edition new third edition of famous teenage multi level course by tom hutchinson published oxford un press

tom hutchinson project 1 audio class cds third edition - Mar 30 2022

web tom hutchinson project 1 audio class cds third edition album uk 2008 on oxford label spoken word education

Embark on a transformative journey with Written by is captivating work, Grab Your Copy of **Briggs And Stratton Manuals For Engines** . This enlightening ebook, available for download in a convenient PDF format PDF Size: , invites you to explore a world of boundless knowledge. Unleash your intellectual curiosity and discover the power of words as you dive into this riveting creation. Download now and elevate your reading experience to new heights .

https://offsite.creighton.edu/files/virtual-library/Documents/my_deutz_support.pdf

https://offsite.creighton.edu/files/virtual-library/Documents/my_face_reading.pdf

https://offsite.creighton.edu/files/virtual-library/Documents/mysql_coding_questions_and_answers.pdf

Table of Contents Briggs And Stratton Manuals For Engines

1. Understanding the eBook Briggs And Stratton Manuals For Engines
 - The Rise of Digital Reading Briggs And Stratton Manuals For Engines
 - Advantages of eBooks Over Traditional Books
2. Identifying Briggs And Stratton Manuals For Engines
 - Exploring Different Genres
 - Considering Fiction vs. Non-Fiction
 - Determining Your Reading Goals
3. Choosing the Right eBook Platform
 - Popular eBook Platforms
 - Features to Look for in an Briggs And Stratton Manuals For Engines
 - User-Friendly Interface
4. Exploring eBook Recommendations from Briggs And Stratton Manuals For Engines
 - Personalized Recommendations

- Briggs And Stratton Manuals For Engines User Reviews and Ratings
- Briggs And Stratton Manuals For Engines and Bestseller Lists
- 5. Accessing Briggs And Stratton Manuals For Engines Free and Paid eBooks
 - Briggs And Stratton Manuals For Engines Public Domain eBooks
 - Briggs And Stratton Manuals For Engines eBook Subscription Services
 - Briggs And Stratton Manuals For Engines Budget-Friendly Options
- 6. Navigating Briggs And Stratton Manuals For Engines eBook Formats
 - ePub, PDF, MOBI, and More
 - Briggs And Stratton Manuals For Engines Compatibility with Devices
 - Briggs And Stratton Manuals For Engines Enhanced eBook Features
- 7. Enhancing Your Reading Experience
 - Adjustable Fonts and Text Sizes of Briggs And Stratton Manuals For Engines
 - Highlighting and Note-Taking Briggs And Stratton Manuals For Engines
 - Interactive Elements Briggs And Stratton Manuals For Engines
- 8. Staying Engaged with Briggs And Stratton Manuals For Engines
 - Joining Online Reading Communities
 - Participating in Virtual Book Clubs
 - Following Authors and Publishers Briggs And Stratton Manuals For Engines
- 9. Balancing eBooks and Physical Books Briggs And Stratton Manuals For Engines
 - Benefits of a Digital Library
 - Creating a Diverse Reading Collection Briggs And Stratton Manuals For Engines
- 10. Overcoming Reading Challenges
 - Dealing with Digital Eye Strain
 - Minimizing Distractions
 - Managing Screen Time
- 11. Cultivating a Reading Routine Briggs And Stratton Manuals For Engines
 - Setting Reading Goals Briggs And Stratton Manuals For Engines
 - Carving Out Dedicated Reading Time
- 12. Sourcing Reliable Information of Briggs And Stratton Manuals For Engines
 - Fact-Checking eBook Content of Briggs And Stratton Manuals For Engines

- Distinguishing Credible Sources
- 13. Promoting Lifelong Learning
 - Utilizing eBooks for Skill Development
 - Exploring Educational eBooks
- 14. Embracing eBook Trends
 - Integration of Multimedia Elements
 - Interactive and Gamified eBooks

Briggs And Stratton Manuals For Engines Introduction

In this digital age, the convenience of accessing information at our fingertips has become a necessity. Whether its research papers, eBooks, or user manuals, PDF files have become the preferred format for sharing and reading documents. However, the cost associated with purchasing PDF files can sometimes be a barrier for many individuals and organizations. Thankfully, there are numerous websites and platforms that allow users to download free PDF files legally. In this article, we will explore some of the best platforms to download free PDFs. One of the most popular platforms to download free PDF files is Project Gutenberg. This online library offers over 60,000 free eBooks that are in the public domain. From classic literature to historical documents, Project Gutenberg provides a wide range of PDF files that can be downloaded and enjoyed on various devices. The website is user-friendly and allows users to search for specific titles or browse through different categories. Another reliable platform for downloading Briggs And Stratton Manuals For Engines free PDF files is Open Library. With its vast collection of over 1 million eBooks, Open Library has something for every reader. The website offers a seamless experience by providing options to borrow or download PDF files. Users simply need to create a free account to access this treasure trove of knowledge. Open Library also allows users to contribute by uploading and sharing their own PDF files, making it a collaborative platform for book enthusiasts. For those interested in academic resources, there are websites dedicated to providing free PDFs of research papers and scientific articles. One such website is Academia.edu, which allows researchers and scholars to share their work with a global audience. Users can download PDF files of research papers, theses, and dissertations covering a wide range of subjects. Academia.edu also provides a platform for discussions and networking within the academic community. When it comes to downloading Briggs And Stratton Manuals For Engines free PDF files of magazines, brochures, and catalogs, Issuu is a popular choice. This digital publishing platform hosts a vast collection of publications from around the world. Users can search for specific titles or explore various categories and genres. Issuu offers a seamless reading experience with its user-friendly interface and allows users to download PDF files for offline reading. Apart from dedicated platforms, search engines also play a crucial role in finding free PDF files. Google, for

instance, has an advanced search feature that allows users to filter results by file type. By specifying the file type as "PDF," users can find websites that offer free PDF downloads on a specific topic. While downloading Briggs And Stratton Manuals For Engines free PDF files is convenient, its important to note that copyright laws must be respected. Always ensure that the PDF files you download are legally available for free. Many authors and publishers voluntarily provide free PDF versions of their work, but its essential to be cautious and verify the authenticity of the source before downloading Briggs And Stratton Manuals For Engines. In conclusion, the internet offers numerous platforms and websites that allow users to download free PDF files legally. Whether its classic literature, research papers, or magazines, there is something for everyone. The platforms mentioned in this article, such as Project Gutenberg, Open Library, Academia.edu, and Issuu, provide access to a vast collection of PDF files. However, users should always be cautious and verify the legality of the source before downloading Briggs And Stratton Manuals For Engines any PDF files. With these platforms, the world of PDF downloads is just a click away.

FAQs About Briggs And Stratton Manuals For Engines Books

How do I know which eBook platform is the best for me? Finding the best eBook platform depends on your reading preferences and device compatibility. Research different platforms, read user reviews, and explore their features before making a choice. Are free eBooks of good quality? Yes, many reputable platforms offer high-quality free eBooks, including classics and public domain works. However, make sure to verify the source to ensure the eBook credibility. Can I read eBooks without an eReader? Absolutely! Most eBook platforms offer webbased readers or mobile apps that allow you to read eBooks on your computer, tablet, or smartphone. How do I avoid digital eye strain while reading eBooks? To prevent digital eye strain, take regular breaks, adjust the font size and background color, and ensure proper lighting while reading eBooks. What the advantage of interactive eBooks? Interactive eBooks incorporate multimedia elements, quizzes, and activities, enhancing the reader engagement and providing a more immersive learning experience. Briggs And Stratton Manuals For Engines is one of the best book in our library for free trial. We provide copy of Briggs And Stratton Manuals For Engines in digital format, so the resources that you find are reliable. There are also many Ebooks of related with Briggs And Stratton Manuals For Engines. Where to download Briggs And Stratton Manuals For Engines online for free? Are you looking for Briggs And Stratton Manuals For Engines PDF? This is definitely going to save you time and cash in something you should think about. If you trying to find then search around for online. Without a doubt there are numerous these available and many of them have the freedom. However without doubt you receive whatever you purchase. An alternate way to get ideas is always to check another Briggs And Stratton Manuals For Engines. This method for see exactly what may be included and

adopt these ideas to your book. This site will almost certainly help you save time and effort, money and stress. If you are looking for free books then you really should consider finding to assist you try this. Several of Briggs And Stratton Manuals For Engines are for sale to free while some are payable. If you arent sure if the books you would like to download works with for usage along with your computer, it is possible to download free trials. The free guides make it easy for someone to free access online library for download books to your device. You can get free download on free trial for lots of books categories. Our library is the biggest of these that have literally hundreds of thousands of different products categories represented. You will also see that there are specific sites catered to different product types or categories, brands or niches related with Briggs And Stratton Manuals For Engines. So depending on what exactly you are searching, you will be able to choose e books to suit your own need. Need to access completely for Campbell Biology Seventh Edition book? Access Ebook without any digging. And by having access to our ebook online or by storing it on your computer, you have convenient answers with Briggs And Stratton Manuals For Engines To get started finding Briggs And Stratton Manuals For Engines, you are right to find our website which has a comprehensive collection of books online. Our library is the biggest of these that have literally hundreds of thousands of different products represented. You will also see that there are specific sites catered to different categories or niches related with Briggs And Stratton Manuals For Engines So depending on what exactly you are searching, you will be able to choose ebook to suit your own need. Thank you for reading Briggs And Stratton Manuals For Engines. Maybe you have knowledge that, people have search numerous times for their favorite readings like this Briggs And Stratton Manuals For Engines, but end up in harmful downloads. Rather than reading a good book with a cup of coffee in the afternoon, instead they juggled with some harmful bugs inside their laptop. Briggs And Stratton Manuals For Engines is available in our book collection an online access to it is set as public so you can download it instantly. Our digital library spans in multiple locations, allowing you to get the most less latency time to download any of our books like this one. Merely said, Briggs And Stratton Manuals For Engines is universally compatible with any devices to read.

Find Briggs And Stratton Manuals For Engines :

my deutz support

my face reading

[mysql coding questions and answers](#)

[myles dread dad](#)

motorcycle road trip books

~~mometrix english practice test~~

[mortal instruments series books](#)

moriah elizabeth pumpkins

moody's air conditioning and heating

more than memories book pdf

movies about fallen angels and demons

mommy comes back

morgan page addicted lyrics

nail tech written exam practice test

muhammad ali knockout

Briggs And Stratton Manuals For Engines :