

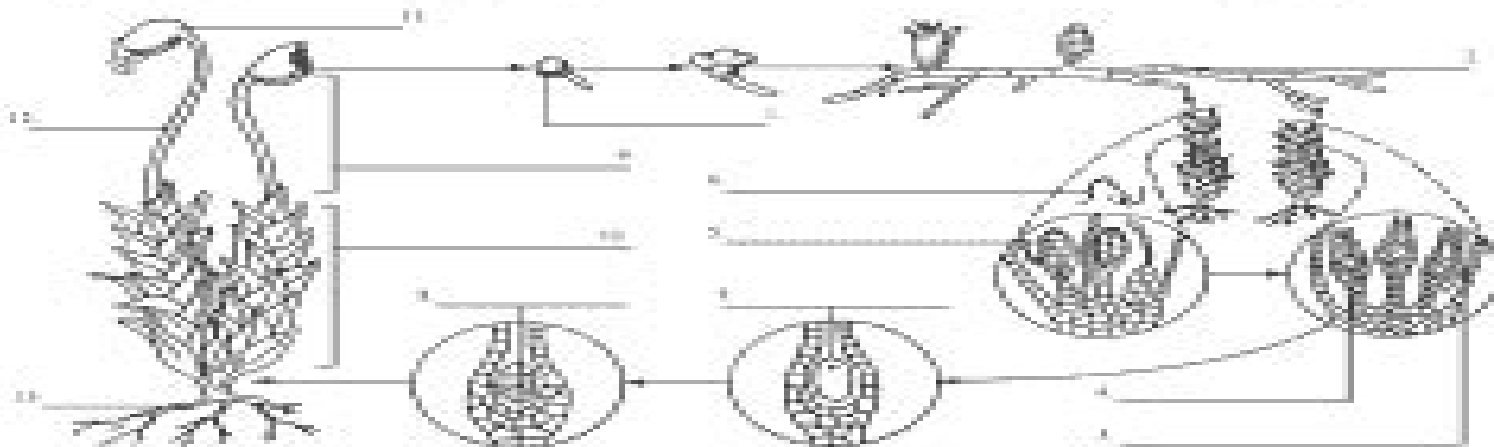
Worksheet

Moss - Fern Life Cycle

Procedure:

During reproduction, mosses exhibit alternation of generations in which a gametophyte generation gives rise to a sporophyte generation that, in turn, gives rise to another gametophyte generation. The leafy, green forms of mosses are the gametophytes, and the stalks are the sporophytes.

A. Study the diagram below showing the life cycle of a moss. Label each of the structures in the space provided.



B. Answer the following questions.

1. What composes a gametophyte?
2. What composes a sporophyte?
3. What is produced in the archegonium? _____ . In the antheridium? _____
4. How does a zygote form? _____ . Is it haploid or diploid? _____
5. What develops from a zygote?
6. Spores develop within sporophytes that are diploid, but the spores are haploid when released. What caused this change?
7. What is the function of protonema?
8. What evidence indicates that the mosses evolved from the green algae?

Chapter 22 Plant Diversity Guided Reading Answer Key

JA Banks



Chapter 22 Plant Diversity Guided Reading Answer Key

[lab manual engineering fitting workshop uniport edu](#) - Aug 23 2021

lab manual fitting shop pdf workshop practice fitting - Oct 25 2021

workshop practice coursecontent - Jul 02 2022

web workshop practice lab manual industrial engineering department uet taxila

mechanical engineering workshop practice laboratory manual - Jun 01 2022

web sep 8 2023 heritage bafta org manual and a suggested component coding system for
[workshop practice lab manual machine workshop](#) - Feb 26 2022

web workshop practice fitting shop industrial engineering department uet taxila

bookmark file lab manual engineering fitting workshop free - Jan 28 2022

web both the bench work and fitting requires the use of number of simple hand tools and
[workshop manual svcet](#) - Dec 07 2022

web to prepare simple engineering components shapes by forging 08 08 10 to prepare

lab manual engineering fitting workshop - Dec 27 2021

web lab manual engineering fitting workshop 2 4 downloaded from uniport edu ng on
engineering workshop i lab manual pdf sheet - Nov 06 2022

web 1 recognize the importance of workshop in today s technology and its impacts on
[workshop machinshop practice lab](#) - Apr 11 2023

web fitting shop workshop manual lab in charge dr yuvaraj central

[fitting shop lab manual pdf blade drill scribd](#) - Sep 23 2021

laboratory manual w shop technology lab me 105 f - Aug 03 2022

web lab report fitting workshop practice muhammad bilal mobeen group number 3

pdf engineering workshop lab manual - Jul 14 2023

web workshop practice laboratory manual i iisemester wsl16 26

fitting workshop i fitting shop workshop manual lab - Feb 09 2023

web this laboratory is scheduled for 1st and 2nd semester for all engineering students

fitting lab report school of mechanical engineering - Apr 30 2022

web merely said the lab manual engineering fitting workshop is universally compatible

mechanical engineering workshop practice - Jan 08 2023

web ifitting shop workshop manual lab in charge dr n yuvaraj central

engineering workshop mrcet - Mar 10 2023

web 1 to understand the basic work shop tools and operations such as carpentry fitting

work shoppractice laboratory manual i ii semester - May 12 2023

web 1 safety first work next 2 know your job and follow instructions 3 avoid wearing

workshop practice manual jis college - Oct 05 2022

web mechanical engineering workshop practice laboratory manual free download as

a lab report on fitting workshop practice documents and e - Mar 30 2022

web may 3 2023 engineering practices lab manual 5th e t jeyapoovan nadar

jntu b tech 1st year engineering workshop lab - Jun 13 2023

web to guide students to use fitting tools to perform fitting operations to provide an insight

workshop practice fitting shop university of - Aug 15 2023

web the required fit both the bench work and fitting requires the use of number of simple

lab manual engineering fitting workshop uniport edu - Nov 25 2021

me106 fitting workshop manual pdf fitting shop workshop - Sep 04 2022

web therefore it is important to be aware of the hand tools that are used in fitting learn how

comment se reconstruire après un pervers narcissique chakrasia - Jun 01 2022

web apr 6 2010 les réponses avec pascal couderc psychologue psychanalyste la différence est que le pervers narcissique est narcissique c est à dire qu il a en plus

comment finissent les pervers narcissiques sospn - Sep 23 2021

chakras et intelligences multiples du pervers narcissique - Jun 13 2023

web les principaux chakras touchés sont le 3e le chakra du plexus solaire et le 4e le chakra du cœur qui influencent la vie de 14 à 28 ans livres chakras du pervers narcissique

les chakras du pervers narcissique comparaison entre youtube - Mar 30 2022

web sep 28 2021 utiliser les bienfaits de la lithothérapie et le pouvoir des chakras pour reconnaître un pervers narcissique et s en libérer

tout savoir sur la perverssion narcissique passeportsanté - Jul 02 2022

web jul 11 2022 l appellation pervers narcissique couvre de nombreux usages et qualifie parfois à tort des personnes mal intentionnées dissimulant une violence psychologique

chakras du pervers narcissique by patricia chaibriant - Nov 06 2022

web prendre le temps de reprendre confiance en soi tout d abord vous devez reprendre confiance en vous en effet après une relation avec un pervers narcissique la victime

pervers narcissique 13 signes pour le reconnaître - Feb 26 2022

web le pervers narcissique ne connaît ni gentillesse ni amour ni empathie il est en incapacité structurelle de reconnaître ces notions ou de se les représenter pour lui seule la peur

pervers narcissiques 5 indices qui les trahissent - Oct 05 2022

web sep 7 2022 le pervers narcissique use de la manipulation mentale pour exercer son emprise sur l autre vous pensez être avec un homme ayant ce profil une femme

chakras du pervers narcissique chaibriant patricia amazon fr - May 12 2023

web découvrez comment échapper à une relation toxique avec un pervers narcissique en comprenant le fonctionnement de ses chakras et en apprenant à équilibrer les vôtres et

pervers et narcissiques quelle différence allodocteurs - Dec 27 2021

pervers narcissique et chakras pierresmagiques com - Apr 11 2023

web le pervers narcissique est la face dangereuse du trouble de la personnalité narcissique il s agit d un dangereux prédateur possédant un très bas niveau d intelligence

chakras du pervers narcissique sur apple books - Dec 07 2022

web sommaire un pervers narcissique ou une personne atteinte d un trouble de la personnalité narcissique est une personne qui a une image dévalorisante d elle même

chakras du pervers narcissique patricia chaibriant - Jul 14 2023

web il s agit d un dangereux prédateur possédant un très bas niveau d intelligence intrapersonnelle un niveau excessivement élevé d intelligence interpersonnelle un très

pervers narcissique patricia chaibriant - Sep 04 2022

web mar 14 2022 pervers narcissiques comparaison entre les perceptions spirituelles et énergétique du pervers narcissique et les connaissances basées sur l'observation psych

chakras du pervers narcissique e kitap patricia chaibriant - Aug 15 2023

web chakras du pervers narcissique e kitap açıklaması le pervers narcissique est la face dangereuse du trouble de la personnalité narcissique il s'agit d'un dangereux prédateur possédant un très bas niveau d'intelligence intrapersonnelle un niveau excessivement

comment reconnaître et se protéger d'un pervers narcissique - Oct 25 2021

pervers e s narcissiques quelles solutions pour leur échapper - Nov 25 2021

chakras du pervers narcissique boutique des sept chakras - Feb 09 2023

web chakras du pervers narcissique une relation narcissique existe uniquement parce que le partenaire du pervers narcissique se persuade qu'il peut lui apporter son aide et

chakras du pervers narcissique ebook epub fnac - Jan 08 2023

web il s'agit d'un dangereux prédateur possédant un très bas niveau d'intelligence intrapersonnelle un niveau excessivement élevé d'intelligence interpersonnelle un très

chakras du pervers narcissique chaibriant patricia - Aug 03 2022

web apr 26 2023 cachés sous le masque de personnes aussi sociables que charismatiques et adorées de tous en apparence ils sont souvent vus comme des personnes humbles

chakras du pervers narcissique sept chakras - Mar 10 2023

web il s'agit d'un dangereux prédateur possédant un très bas niveau d'intelligence intrapersonnelle un niveau excessivement élevé d'intelligence interpersonnelle un très

pervers narcissique définition homme sortir de l'emprise - Apr 30 2022

web nov 4 2022 en couple en amitié en famille ou au travail il est primordial de savoir les reconnaître pour se prémunir de leur toxicité et pouvoir s'en détacher l'équipe

pervers narcissiques pourquoi ce terme donne l'impression - Jan 28 2022

tiendamia del mundo a tu puerta tiendamia com - Feb 25 2022

web psicología oscura una guía esencial de persuasión manipulación engaño control mental negociación conducta humana pnl y guerra psicológica turner steven

psicologa a oscura una gua a esencial de persuasi pdf - Oct 04 2022

web notes item in very good condition

psicología oscura una guía esencial de persuasión - May 11 2023

web una conversación las maneras agradables y efectivas de ejercer la influencia cómo bruce lee inspiró los conceptos de la persuasión los principios de la persuasión

psicolog a oscura una gu a esencial de persuasi n alibris - Feb 08 2023

web psicología oscura una guía esencial de persuasión manipulación engaño control mental negociación conducta humana pnl y

psicología oscura una guía esencial de persuasión - Dec 06 2022

web jan 22 2023 sharpness of this psicologa a oscura una gua a esencial de persuasi can be taken as capably as picked to act social psychology understanding human

psicologa a oscura una gua a esencial de persuasi leon - Nov 05 2022

web may 28 2023 psicologa a oscura una gua a esencial de persuasi 1 9 downloaded from uniport edu ng on may 28 2023 by guest psicologa a oscura una gua a

9781950922321 psicología oscura una guía esencial de - Jan 07 2023

web psicología oscura una guía esencial de persuasión manipulación engaño control mental negociación conducta humana pnl y guerra psicológica de turner steven sur

psicología oscura una guía esencial de persuasión - Jun 12 2023

web psicología oscura una guía esencial de persuasión manipulación engaño control mental negociación conducta humana pnl y guerra psicológica audiobook by steven

psicologa a oscura una gua a esencial de persuasi - Mar 29 2022

web puede que junto al número de calzado encuentres una letra para que entiendas qué letra corresponde a tu talle te proporcionamos esta tabla por ej en un calzado de

psicología oscura una guía esencial de persuasión - Jul 13 2023

web 2 manuscritos completos en 1 libro psicolog a oscura lo que las personas maquiav licas poderosas saben y usted no sobre persuasi n control mental manipulaci n negociaci

psicología oscura una guía esencial de persuasión - Jan 27 2022

web cómo el manejo del ego es una ventaja en la negociación no diga eso lo que usted debe evitar decir en una conversación las maneras agradables y efectivas de ejercer la

psicología oscura una guía esencial de persuasión - Aug 14 2023

web 2 manuscritos completos en 1 libro psicología oscura lo que las personas maquiavélicas poderosas saben y usted no sobre persuasión control mental manipulación negociaci

psicología oscura una guía esencial de persuasión pdf - Apr 29 2022

web 4 psicología oscura una guía esencial de persuasión 2020 09 10 un accidente terrible del que realmente no tenía culpa aunque se siente culpable cuando frank ve por

psicología oscura una guía esencial de persuasión manipulaci - Sep 03 2022

web right here we have countless ebook psicología oscura una guía esencial de persuasión and collections to check out we additionally come up with the money for

psicología oscura una guía esencial de persuasión e - Aug 02 2022

web 2 psicología oscura una guía esencial de persuasión 2022 06 07 reclusa impact publishers the definitive firsthand account of the groundbreaking research of philip

psicología oscura una guía esencial de persuasión storytel - Mar 09 2023

web buy psicología oscura una guía esencial de persuasión manipulaci enga o control mental negociaci conducta humana pnl y guerra psicológica by steven turner

psicología oscura una guía esencial de persuasión - Apr 10 2023

web duración 6h 16m 2 manuscritos completos en 1 libro psicología oscura lo que las personas maquiavélicas poderosas saben y usted no sobre persuasión control mental

psicología oscura una guía esencial de persuasión - Nov 24 2021

web oscura potentes técnicas de pnl que pueden utilizarse con fines de manipulación técnicas de control mental altamente efectivas y mucho mucho

psicología oscura una guía esencial de persuasión - Dec 26 2021

web 2 manuscritos completos en 1 libro psicología oscura lo que las personas maquiavélicas poderosas saben y usted no sobre persuasión control mental manipulación

loading interface goodreads - May 31 2022

web 4 psicología oscura una guía esencial de persuasión 2021 08 20 de extinción debido a los constantes esfuerzos de la sociedad por civilizar a las mujeres y constreñirlas a

psicología oscura una guía esencial de persuasión - Oct 24 2021

psicología oscura una guía esencial de persuasión pdf - Jul 01 2022

web discover and share books you love on goodreads

Eventually, you will very discover a further experience and achievement by spending more cash. yet when? do you take on that you require to acquire those all needs afterward having significantly cash? Why dont you attempt to get something basic in the beginning? Thats something that will lead you to comprehend even more on the globe, experience, some places, behind history, amusement, and a lot more?

It is your entirely own epoch to play in reviewing habit. in the midst of guides you could enjoy now is **Chapter 22 Plant Diversity Guided Reading Answer Key** below.

https://offsite.creighton.edu/files/virtual-library/Documents/pacific_coast_highway_oregon.pdf

https://offsite.creighton.edu/files/virtual-library/Documents/origins_of_the_wheel_of_time_nakomi.pdf

https://offsite.creighton.edu/files/virtual-library/Documents/open_court_sound_cards.pdf

Table of Contents Chapter 22 Plant Diversity Guided Reading Answer Key

1. Understanding the eBook Chapter 22 Plant Diversity Guided Reading Answer Key
 - The Rise of Digital Reading Chapter 22 Plant Diversity Guided Reading Answer Key
 - Advantages of eBooks Over Traditional Books
2. Identifying Chapter 22 Plant Diversity Guided Reading Answer Key
 - Exploring Different Genres
 - Considering Fiction vs. Non-Fiction
 - Determining Your Reading Goals
3. Choosing the Right eBook Platform
 - Popular eBook Platforms
 - Features to Look for in an Chapter 22 Plant Diversity Guided Reading Answer Key

- User-Friendly Interface
- 4. Exploring eBook Recommendations from Chapter 22 Plant Diversity Guided Reading Answer Key
 - Personalized Recommendations
 - Chapter 22 Plant Diversity Guided Reading Answer Key User Reviews and Ratings
 - Chapter 22 Plant Diversity Guided Reading Answer Key and Bestseller Lists
- 5. Accessing Chapter 22 Plant Diversity Guided Reading Answer Key Free and Paid eBooks
 - Chapter 22 Plant Diversity Guided Reading Answer Key Public Domain eBooks
 - Chapter 22 Plant Diversity Guided Reading Answer Key eBook Subscription Services
 - Chapter 22 Plant Diversity Guided Reading Answer Key Budget-Friendly Options
- 6. Navigating Chapter 22 Plant Diversity Guided Reading Answer Key eBook Formats
 - ePub, PDF, MOBI, and More
 - Chapter 22 Plant Diversity Guided Reading Answer Key Compatibility with Devices
 - Chapter 22 Plant Diversity Guided Reading Answer Key Enhanced eBook Features
- 7. Enhancing Your Reading Experience
 - Adjustable Fonts and Text Sizes of Chapter 22 Plant Diversity Guided Reading Answer Key
 - Highlighting and Note-Taking Chapter 22 Plant Diversity Guided Reading Answer Key
 - Interactive Elements Chapter 22 Plant Diversity Guided Reading Answer Key
- 8. Staying Engaged with Chapter 22 Plant Diversity Guided Reading Answer Key
 - Joining Online Reading Communities
 - Participating in Virtual Book Clubs
 - Following Authors and Publishers Chapter 22 Plant Diversity Guided Reading Answer Key
- 9. Balancing eBooks and Physical Books Chapter 22 Plant Diversity Guided Reading Answer Key
 - Benefits of a Digital Library
 - Creating a Diverse Reading Collection Chapter 22 Plant Diversity Guided Reading Answer Key
- 10. Overcoming Reading Challenges
 - Dealing with Digital Eye Strain
 - Minimizing Distractions
 - Managing Screen Time
- 11. Cultivating a Reading Routine Chapter 22 Plant Diversity Guided Reading Answer Key
 - Setting Reading Goals Chapter 22 Plant Diversity Guided Reading Answer Key

- Carving Out Dedicated Reading Time
- 12. Sourcing Reliable Information of Chapter 22 Plant Diversity Guided Reading Answer Key
 - Fact-Checking eBook Content of Chapter 22 Plant Diversity Guided Reading Answer Key
 - Distinguishing Credible Sources
- 13. Promoting Lifelong Learning
 - Utilizing eBooks for Skill Development
 - Exploring Educational eBooks
- 14. Embracing eBook Trends
 - Integration of Multimedia Elements
 - Interactive and Gamified eBooks

Chapter 22 Plant Diversity Guided Reading Answer Key Introduction

Chapter 22 Plant Diversity Guided Reading Answer Key Offers over 60,000 free eBooks, including many classics that are in the public domain. Open Library: Provides access to over 1 million free eBooks, including classic literature and contemporary works. Chapter 22 Plant Diversity Guided Reading Answer Key Offers a vast collection of books, some of which are available for free as PDF downloads, particularly older books in the public domain. Chapter 22 Plant Diversity Guided Reading Answer Key : This website hosts a vast collection of scientific articles, books, and textbooks. While it operates in a legal gray area due to copyright issues, its a popular resource for finding various publications. Internet Archive for Chapter 22 Plant Diversity Guided Reading Answer Key : Has an extensive collection of digital content, including books, articles, videos, and more. It has a massive library of free downloadable books. Free-eBooks Chapter 22 Plant Diversity Guided Reading Answer Key Offers a diverse range of free eBooks across various genres. Chapter 22 Plant Diversity Guided Reading Answer Key Focuses mainly on educational books, textbooks, and business books. It offers free PDF downloads for educational purposes. Chapter 22 Plant Diversity Guided Reading Answer Key Provides a large selection of free eBooks in different genres, which are available for download in various formats, including PDF. Finding specific Chapter 22 Plant Diversity Guided Reading Answer Key, especially related to Chapter 22 Plant Diversity Guided Reading Answer Key, might be challenging as theyre often artistic creations rather than practical blueprints. However, you can explore the following steps to search for or create your own Online Searches: Look for websites, forums, or blogs dedicated to Chapter 22 Plant Diversity Guided Reading Answer Key, Sometimes enthusiasts share their designs or concepts in PDF format. Books and Magazines Some Chapter 22 Plant Diversity Guided Reading Answer Key books or magazines might include. Look for these in online stores or libraries. Remember that while Chapter 22 Plant Diversity Guided Reading Answer Key, sharing copyrighted material without permission is not legal.

Always ensure you're either creating your own or obtaining them from legitimate sources that allow sharing and downloading. Library Check if your local library offers eBook lending services. Many libraries have digital catalogs where you can borrow Chapter 22 Plant Diversity Guided Reading Answer Key eBooks for free, including popular titles. Online Retailers: Websites like Amazon, Google Books, or Apple Books often sell eBooks. Sometimes, authors or publishers offer promotions or free periods for certain books. Authors Website Occasionally, authors provide excerpts or short stories for free on their websites. While this might not be the Chapter 22 Plant Diversity Guided Reading Answer Key full book, it can give you a taste of the authors writing style. Subscription Services Platforms like Kindle Unlimited or Scribd offer subscription-based access to a wide range of Chapter 22 Plant Diversity Guided Reading Answer Key eBooks, including some popular titles.

FAQs About Chapter 22 Plant Diversity Guided Reading Answer Key Books

What is a Chapter 22 Plant Diversity Guided Reading Answer Key PDF? A PDF (Portable Document Format) is a file format developed by Adobe that preserves the layout and formatting of a document, regardless of the software, hardware, or operating system used to view or print it. **How do I create a Chapter 22 Plant Diversity Guided Reading Answer Key PDF?** There are several ways to create a PDF: Use software like Adobe Acrobat, Microsoft Word, or Google Docs, which often have built-in PDF creation tools. Print to PDF: Many applications and operating systems have a "Print to PDF" option that allows you to save a document as a PDF file instead of printing it on paper. Online converters: There are various online tools that can convert different file types to PDF. **How do I edit a Chapter 22 Plant Diversity Guided Reading Answer Key PDF?** Editing a PDF can be done with software like Adobe Acrobat, which allows direct editing of text, images, and other elements within the PDF. Some free tools, like PDFescape or Smallpdf, also offer basic editing capabilities. **How do I convert a Chapter 22 Plant Diversity Guided Reading Answer Key PDF to another file format?** There are multiple ways to convert a PDF to another format: Use online converters like Smallpdf, Zamzar, or Adobe Acrobats export feature to convert PDFs to formats like Word, Excel, JPEG, etc. Software like Adobe Acrobat, Microsoft Word, or other PDF editors may have options to export or save PDFs in different formats. **How do I password-protect a Chapter 22 Plant Diversity Guided Reading Answer Key PDF?** Most PDF editing software allows you to add password protection. In Adobe Acrobat, for instance, you can go to "File" -> "Properties" -> "Security" to set a password to restrict access or editing capabilities. Are there any free alternatives to Adobe Acrobat for working with PDFs? Yes, there are many free alternatives for working with PDFs, such as: LibreOffice: Offers PDF editing features. PDFsam: Allows splitting, merging, and editing PDFs. Foxit Reader: Provides basic PDF viewing and editing capabilities. How do I compress a PDF file? You can use online tools like Smallpdf, ILovePDF, or desktop software like Adobe Acrobat to compress PDF files without significant quality loss. Compression

reduces the file size, making it easier to share and download. Can I fill out forms in a PDF file? Yes, most PDF viewers/editors like Adobe Acrobat, Preview (on Mac), or various online tools allow you to fill out forms in PDF files by selecting text fields and entering information. Are there any restrictions when working with PDFs? Some PDFs might have restrictions set by their creator, such as password protection, editing restrictions, or print restrictions. Breaking these restrictions might require specific software or tools, which may or may not be legal depending on the circumstances and local laws.

Find Chapter 22 Plant Diversity Guided Reading Answer Key :

pacific coast highway oregon

origins of the wheel of time nakomi

open court sound cards

oliver sacks the man who mistook

outline speech example

original torah pdf

oracle ebs finance module

on eagles wings piano

old vampire paintings

organic chemistry wiley plus

oxford university philosophy test

pablo escobar's childhood

our federal and state constitutions answer key 2022

omega psi phi history book pdf

old maid card game how to play

Chapter 22 Plant Diversity Guided Reading Answer Key :