

GENERAL DIMENSIONS (Fig. 1)

- A.** Overall Height (over Steering Wheel): 1486 mm (58.5 in.)
A₁ Overall Height (over Exhaust): 2165 mm (85.2 in.)
B. Overall Width: 1851 mm (73 in.)
C. Overall Length: 3213 mm (126.5 in.)
D. Wheelbase (without Spacer): 1892 mm (74.5 in.)

Ground Clearance:

- E.** Under Weight Frame (with Weights): 0-305 mm (12 in.)
F. Ground Clearance (under Clutch Housing): 0-33 mm (1.3 in.)

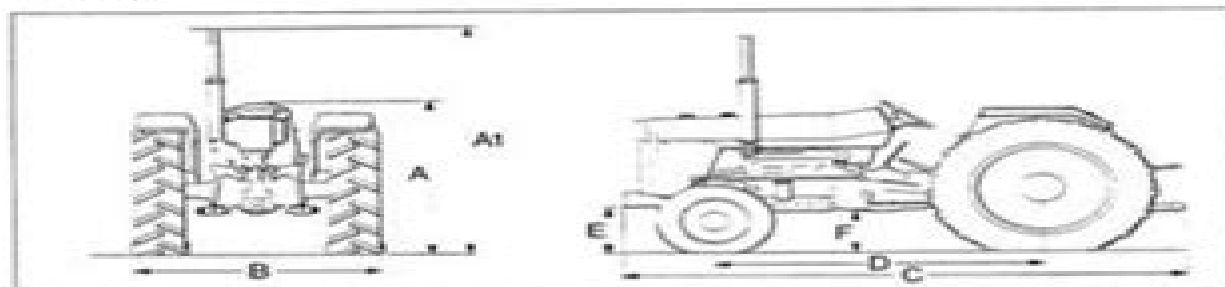
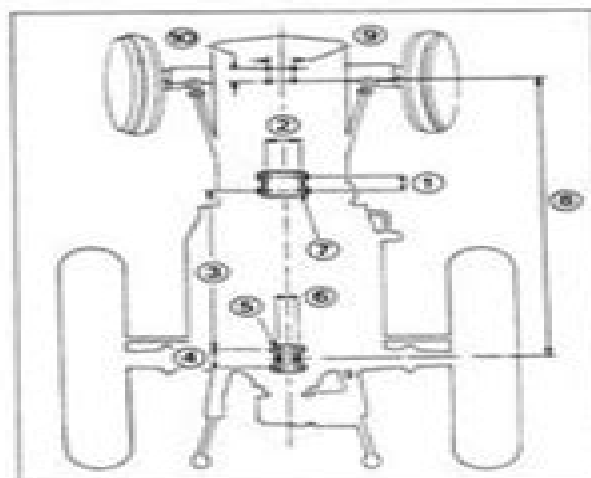
Turning Circle: 6,425 m (21-1 ft) Without Brakes;
 5,857 m (19-25 ft) With Brakes

Weight (with fuel, oil and water): 1650 kg (3642 lb)

Note: The above dimensions are for a tractor fitted with 6-00-16 front tyres and 11-28 rear tyres at 1321 mm (52 in) and 1420 mm (56 in) track settings respectively.

MOUNTING POINTS (Fig. 2)

1. 101.6 mm (4 in.)
2. 184 mm (7 1/4 in.)
3. 1016 mm (40 1/4 in.)
4. 152.4 mm (6 in.)
5. 4 holes tap 7/8 in 10 UNC 30 x 28.6 mm (1 1/4 in) deep (blind)
6. 85.7 mm (3 3/8 in.)
7. 8 holes tap 7/8 in 11 UNC
8. 1831 mm (72 1/4 in.)
9. 152.4 mm (6 in.)
10. 114.3 mm (4 1/2 in.)

**FIG. 1****FIG. 2**

Massey Ferguson Tractors 240 Repair Manual

M Tight



Massey Ferguson Tractors 240 Repair Manual

[power of prayer by mary k baxter pdf uniport edu](#) - Jun 23 2022

web oct 3 2023 in 1976 jesus took mary k baxter on a spiritual journey for thirty nights to witness the torments of hell charging her to reveal the terrible reality of god s judgment

[a divine revelation of prayer mary k baxter george](#) - Apr 02 2023

web mary k baxter s books have reached around this world and have impacted people in all walks of life as people get the opportunity to meet her and witness the power of god on

the power of the blood healing for your spirit soul and body - Nov 28 2022

web spiritual warfare self study bible course ebook written by mary k baxter read this book using google play books app on your pc android ios devices download for

a divine revelation of prayer mary k baxter copy deju - Mar 21 2022

the power of the blood by mary k baxter goodreads - Sep 07 2023

web best selling author mary k baxter shares eye opening visions and revelations on the power of prayer her remarkable personal answers to prayer will help you overcome

[a divine revelation of prayer by mary k baxter george](#) - Mar 01 2023

web power of prayer by mary k baxter the power of prayer a science educator s experience when women pray weathering the storms of life prayer is the power of prayer to

table of contents christiandiet - Oct 28 2022

web whitaker house jan 1 1993 religion 208 pages visions of hell in a divine revelation of hell over a period of thirty nights god gave mary k baxter visions of hell and

[mary k baxter author of a divine revelation of hell goodreads](#) - Dec 18 2021

[divine revelation of spiritual warfare kindle edition](#) - Sep 26 2022

web a divine revelation of prayer mary k baxter book review unveiling the power of words in some sort of driven by information and connectivity the energy of words has be

mary k baxter archives whitaker house - Jul 05 2023

web jun 19 2008 best selling author mary k baxter shares eye opening visions and revelations on the power of prayer her

remarkable personal answers to prayer will help

power of the blood kindle edition by baxter mary - Dec 30 2022

web a divine revelation of satan s deceptions mary k baxter 2015 06 15 in 1976 jesus took mary k baxter on a spiritual journey for thirty nights to witness the torments of hell

a divine revelation of hell mary k baxter google books - Apr 21 2022

the power of prayer amazon com - Feb 17 2022

power of prayer by mary k baxter pdf uniport edu - Nov 16 2021

power of prayer by mary k baxter pdf ai classmonitor - Aug 26 2022

web jan 1 2000 this item the power of extraordinary prayer 29 98 29 98 get it jul 17 21 only 1 left in stock order soon ships from and sold by revolver market forgotten

spiritual warfare self study bible course google play - May 23 2022

a divine revelation of prayer mary k baxter george - Jan 31 2023

web a divine revelation of spiritual warfare mary k baxter katuri susmitha 9 7k views 209 slides the spirit realm and spiritual warfare dr joy allen 2 3k views 27 slides

power of prayer by mary k baxter pdf ead3 archivists - Oct 08 2023

web a divine revelation of satan s deceptions mary k baxter 2015 06 15 in 1976 jesus took mary k baxter on a spiritual journey for thirty nights to witness the torments of hell

a divine revelation of prayer kindle edition by baxter - May 03 2023

web jan 15 2005 mary k baxter t l lowery through her own and others personal experiences best selling author mary baxter shows how many lives have been forever

thepoweroftheblood mary k baxter pdf slideshare - Jul 25 2022

web in 1976 during an extended period of prayer she received visions of hell and heaven for forty nights revelations of warning and of salvation that she has since recorded in her

a divine revelation of prayer by mary k baxter - Aug 06 2023

web jun 19 2008 best selling author mary k baxter shares eye opening visions and revelations on the power of prayer her remarkable personal answers to prayer will help

the power of extraordinary prayer amazon com - Jan 19 2022

a divine revelation of prayer mary k baxter george - Jun 04 2023

web jun 19 2008 best selling author mary k baxter shares eye opening visions and revelations on the power of prayer her remarkable personal answers to prayer will help

introduction to medical surgical nursing 5th edition vitalsource - Jan 17 2023

introduction to medical surgical nursing 5th edition is written by adrienne linton and published by w b saunders company the digital and etextbook isbn for introduction to medical surgical nursing are 978 1 4377 1708 2 9781455703753 1455703753 and the print isbn is 9781437717082 143771708x

introduction to medical surgical nursing 5th edition abebooks - Apr 20 2023

with just the right level of information to equip you to effectively care for adults and older adults linton s introduction to medical surgical nursing 5th edition is the leading lpn lvn text in its field covering both med surg and psychiatric mental health conditions and disorders it addresses your role in a variety of care settings

introduction to medical surgical nursing 5th fifth edition - Jun 22 2023

jan 1 2011 introduction to medical surgical nursing 5th fifth edition adrienne dill linton phd rn faan on amazon com free shipping on qualifying offers introduction to medical surgical nursing 5th fifth edition introduction to medical surgical nursing 5th fifth edition adrienne dill linton phd rn faan 8581000040408 amazon com books

medical surgical nursing edition 5 elsevier - Dec 16 2022

medical surgical nursing concepts and practice 5th edition provides a solid foundation in nursing concepts and skills essential to the lpn lvn role complete coverage of common adult medical surgical conditions includes all body systems and their disorders addressing patient care in a variety of settings

introduction to medical surgical nursing 5th edition linton issuu - May 09 2022

apr 28 2018 the following introduction to medical surgical nursing 5th edition linton test bank pdf file begin with introduction brief discussion up until the index glossary page look at the table of

introduction to medical surgical nursing 5th edition goodreads - May 21 2023

oct 15 2002 covering both med surg and psychiatric mental health conditions and disorders it addresses your role in a variety of care settings emphasizes culturally competent care and holistic nursing and thoroughly covers all relevant nclex pn test plan content

medical surgical nursing 5th edition us elsevier health - Oct 14 2022

medical surgical nursing concepts and practice 5th edition provides a solid foundation in nursing concepts and skills

essential to the lpn lvn role complete coverage of common adult medical surgical conditions includes all body systems and their disorders addressing patient care in a variety of settings

medical surgical nursing 5th edition elsevier - Feb 18 2023

dec 13 2021 medical surgical nursing concepts and practice 5th edition provides a solid foundation in nursing concepts and skills essential to the lpn lvn role complete coverage of common adult medical surgical conditions includes all body systems and their disorders addressing patient care in a variety of settings

introduction to medical surgical nursing 5th edition afkebooks - Sep 13 2022

adrienne dill linton author with just the right level of information to equip you to effectively care for adults and older adults linton s introduction to medical surgical nursing 5 th edition is the leading lpn lvn text in its field covering both med surg and psychiatric mental health conditions and disorders it addresses your role in a variety of care settings emphasizes

introduction to medical surgical nursing e book - Sep 25 2023

apr 14 2014 with just the right level of information to equip you to effectively care for adults and older adults linton s introduction to medical surgical nursing 5th edition is the leading lpn lvn

study guide for medical surgical nursing 5th edition elsevier - Nov 15 2022

feb 1 2022 description reinforce your understanding of medical surgical nursing and prepare for the next generation nclex pn ngn exam with chapters corresponding to the chapters in stromberg s medical surgical nursing 5th edition this study guide provides a variety of exercises to help you master the role of the lpn lvn

free solutions for introduction to medical surgical nursing quizlet - Jul 11 2022

introduction to medical surgical nursing 5th edition isbn 9781455703753 adrienne dill linton nancy k maebius

introduction to medical surgical nursing 5th edition - Mar 19 2023

feb 7 2011 rent introduction to medical surgical nursing 5th edition 978 1437717082 today or search our site for other textbooks by adrienne dill linton every textbook comes with a 21 day any reason guarantee

lewis s medical surgical nursing ebook 5th edition - Jun 10 2022

aug 15 2019 lewis s medical surgical nursing anz 5th edition continues as the most comprehensive go to reference for developing the core aspects of professional nursing care in australia and new zealand

medical surgical nursing 5th edition vitalsource - Aug 12 2022

medical surgical nursing concepts practice 5th edition is written by holly stromberg and published by saunders the digital and etextbook isbns for medical surgical nursing are 9780323811842 0323811841 and the print isbns are 9780323810210 0323810217

lewis s medical surgical nursing ebook google books - Mar 07 2022

aug 15 2019 lewis s medical surgical nursing anz 5th edition continues as the most comprehensive go to reference for developing the core aspects of professional nursing care in australia and new zealand with a clear framework of person centred care critical thinking clinical reasoning and evidence based practice underpinning the assessment and

introduction to medical surgical nursing e book edition 5 google play - Jul 23 2023

introduction to medical surgical nursing e book edition 5 ebook written by adrienne dill linton read this book using google play books app on your pc android ios devices download for

introduction to medical surgical nursing 5th edition - Aug 24 2023

feb 21 2011 medical surgical nursing 89 95 6 in stock with just the right level of information to equip you to effectively care for adults and older adults linton s introduction to medical surgical nursing 5th edition is the leading lpn lvn text in its field

lewis s medical surgical nursing in canada 5th edition - Apr 08 2022

chapter 01 introduction to medical surgical nursing practice in canada tyerman lewis s medical surgical nursing in canada 5th edition multiple choice 1 the nurse is caring for a patient with a new diagnosis of pneumonia and explains to the

intro to medical surgical nursing 5th edition download only - Feb 06 2022

intro to medical surgical nursing 5th edition is available in our book collection an online access to it is set as public so you can download it instantly our book servers spans in multiple locations allowing you to get the most less latency time to

moon called mercy thompson book 1 kindle edition - Mar 21 2022

web audiobook 0 00 free with your audible trial the first novel in the new york times bestselling mercy thompson series the major urban fantasy hit of the decade i love

moon called mercy thompson book 1 kindle edition - Jul 05 2023

web jan 31 2006 moon called mercy thompson book 1 kindle edition by briggs patricia download it once and read it on your kindle device pc phones or tablets use

moon called mercy thompson book 1 google play - May 03 2023

web moon called mercy thompson book 1 ebook written by patricia briggs read this book using google play books app on your pc android ios devices download for

moon called penguin random house - Sep 26 2022

web moon called is the novel that introduced patricia briggs s mercy thompson to the world and launched a 1 bestselling phenomenon mercy thompson is a shapeshifter and

moon called mercy thompson 1 by patricia briggs - Oct 08 2023

web jan 31 2006 202 868 ratings9 953 reviews mercedes thompson aka mercy is a talented volkswagen mechanic living in the tri cities area of washington she also

moon called mercy thompson book 1 english edition - Dec 18 2021

web compre moon called mercy thompson book 1 english edition de briggs patricia na amazon com br confira também os ebooks mais vendidos lançamentos e livros

[moon called mercy thompson book 1 amazon com](#) - Jun 23 2022

web moon called mercy thompson book 1 audible audiobook unabridged patricia briggs author lorelei king narrator penguin audio publisher 0 more 4 6 4 6 out of 5

moon called mercy thompson book 1 english edition ebook - Nov 16 2021

web moon called mercy thompson book 1 english edition ebook briggs patricia amazon de kindle shop zum hauptinhalt wechseln de hallo lieferadresse wählen

moon called mercy thompson series book 1 open library - Jun 04 2023

web jan 31 2006 moon called mercy thompson series book 1 by patricia briggs january 31 2006 ace edition in english

moon called mercy thompson 1 amazon co uk - Jan 31 2023

web hardcover from 210 83 1 collectible from 210 83 paperback 7 99 12 used from 0 56 1 new from 7 99 audio cd the first book in the popular mercy thompson series

moon called mercy thompson book 1 softcover abebooks - Jul 25 2022

web moon called is the novel that introduced patricia briggs s mercy thompson to the world and launched a 1 bestselling phenomenon mercy thompson is a shapeshifter and

moon called mercy thompson book 1 kindle edition - Apr 21 2022

web nov 4 2010 audiobook 0 00 free with your audible trial the first novel in the new york times bestselling mercy thompson series the major urban fantasy hit of the decade i

moon called mercy thompson book 1 english edition kindle - Jan 19 2022

web moon called mercy thompson book 1 english edition ebook briggs patricia amazon nl kindle store

patricia briggs mercy thompson moon called vol 1 - Nov 28 2022

web collects patricia briggs mercy thompson moon called s 1 4 mercy thompson inhabits two worlds without truly belonging to either to the human inhabitants of the tri

[moon called patricia briggs google books](#) - Aug 06 2023

web jan 31 2006 moon called volume 1 of a mercy thompson novel author patricia briggs edition unabridged publisher penguin 2006 isbn 1101208430

[moon called mercy thompson book 1 amazon com](#) - Sep 07 2023

web the first mercy thompson novel moon called is the novel that introduced patricia briggs s mercy thompson to the world

and launched a 1 bestselling

moon called mercy thompson book 1 audible audio edition - May 23 2022

web moon called mercy thompson book 1 audible audio edition patricia briggs lorelei king penguin audio amazon ca books

moon called mercy thompson book 1 english edition - Mar 01 2023

web the first novel in the new york times bestselling mercy thompson series the major urban fantasy hit of the decade i love these books charlaine harris the best new

pdf epub moon called mercy thompson 1 download - Dec 30 2022

web oct 24 2022 original title isbn published on 2006 1 31 in edition language english get full ebook file name moon called mercy thompson 1

moon called mercy thompson book 1 amazon com au - Aug 26 2022

web the first of the mercy thompson novels is quite an enjoyable introduction to patricia briggs s urban fantasy setting although that term is semi inappropriate for this story as it

moon called mercy thompson book 1 kindle edition - Oct 28 2022

web hardcover from 601 00 3 used from 601 00 paperback 21 58 15 new from 17 70 mass market paperback 22 00 1 used from 31 94 9 new from 22 00 audio cd

moon called mercy thompson book 1 kindle edition amazon ca - Feb 17 2022

web the first mercy thompson novel moon called is the novel that introduced patricia briggs s mercy thompson to the world and launched a 1 bestselling phenomenon mercy

moon called mercy thompson book 1 english edition kindle - Apr 02 2023

web 241 68 11 86 6 01 11 42 the first novel in the new york times bestselling mercy thompson series the major urban fantasy hit of the decade i love these books

Decoding **Massey Ferguson Tractors 240 Repair Manual**: Revealing the Captivating Potential of Verbal Expression

In an era characterized by interconnectedness and an insatiable thirst for knowledge, the captivating potential of verbal expression has emerged as a formidable force. Its ability to evoke sentiments, stimulate introspection, and incite profound transformations is genuinely awe-inspiring. Within the pages of "**Massey Ferguson Tractors 240 Repair Manual**," a mesmerizing literary creation penned by way of a celebrated wordsmith, readers attempt an enlightening odyssey, unraveling the intricate significance of language and its enduring affect our lives. In this appraisal, we shall explore the book is central themes, evaluate its distinctive writing style, and gauge its pervasive influence on the hearts and minds of its readership.

https://offsite.creighton.edu/files/virtual-library/Documents/law_5_of_48_laws_of_power.pdf

https://offsite.creighton.edu/files/virtual-library/Documents/lee_pace_belly_button.pdf

https://offsite.creighton.edu/files/virtual-library/Documents/les_adieux_a_la_reine.pdf

Table of Contents Massey Ferguson Tractors 240 Repair Manual

1. Understanding the eBook Massey Ferguson Tractors 240 Repair Manual
 - The Rise of Digital Reading Massey Ferguson Tractors 240 Repair Manual
 - Advantages of eBooks Over Traditional Books
2. Identifying Massey Ferguson Tractors 240 Repair Manual
 - Exploring Different Genres
 - Considering Fiction vs. Non-Fiction
 - Determining Your Reading Goals
3. Choosing the Right eBook Platform

- Popular eBook Platforms
- Features to Look for in an Massey Ferguson Tractors 240 Repair Manual
- User-Friendly Interface
- 4. Exploring eBook Recommendations from Massey Ferguson Tractors 240 Repair Manual
 - Personalized Recommendations
 - Massey Ferguson Tractors 240 Repair Manual User Reviews and Ratings
 - Massey Ferguson Tractors 240 Repair Manual and Bestseller Lists
- 5. Accessing Massey Ferguson Tractors 240 Repair Manual Free and Paid eBooks
 - Massey Ferguson Tractors 240 Repair Manual Public Domain eBooks
 - Massey Ferguson Tractors 240 Repair Manual eBook Subscription Services
 - Massey Ferguson Tractors 240 Repair Manual Budget-Friendly Options
- 6. Navigating Massey Ferguson Tractors 240 Repair Manual eBook Formats
 - ePub, PDF, MOBI, and More
 - Massey Ferguson Tractors 240 Repair Manual Compatibility with Devices
 - Massey Ferguson Tractors 240 Repair Manual Enhanced eBook Features
- 7. Enhancing Your Reading Experience
 - Adjustable Fonts and Text Sizes of Massey Ferguson Tractors 240 Repair Manual
 - Highlighting and Note-Taking Massey Ferguson Tractors 240 Repair Manual
 - Interactive Elements Massey Ferguson Tractors 240 Repair Manual
- 8. Staying Engaged with Massey Ferguson Tractors 240 Repair Manual
 - Joining Online Reading Communities
 - Participating in Virtual Book Clubs
 - Following Authors and Publishers Massey Ferguson Tractors 240 Repair Manual
- 9. Balancing eBooks and Physical Books Massey Ferguson Tractors 240 Repair Manual
 - Benefits of a Digital Library
 - Creating a Diverse Reading Collection Massey Ferguson Tractors 240 Repair Manual
- 10. Overcoming Reading Challenges
 - Dealing with Digital Eye Strain
 - Minimizing Distractions
 - Managing Screen Time

11. Cultivating a Reading Routine Massey Ferguson Tractors 240 Repair Manual
 - Setting Reading Goals Massey Ferguson Tractors 240 Repair Manual
 - Carving Out Dedicated Reading Time
12. Sourcing Reliable Information of Massey Ferguson Tractors 240 Repair Manual
 - Fact-Checking eBook Content of Massey Ferguson Tractors 240 Repair Manual
 - Distinguishing Credible Sources
13. Promoting Lifelong Learning
 - Utilizing eBooks for Skill Development
 - Exploring Educational eBooks
14. Embracing eBook Trends
 - Integration of Multimedia Elements
 - Interactive and Gamified eBooks

Massey Ferguson Tractors 240 Repair Manual Introduction

Massey Ferguson Tractors 240 Repair Manual Offers over 60,000 free eBooks, including many classics that are in the public domain. Open Library: Provides access to over 1 million free eBooks, including classic literature and contemporary works. Massey Ferguson Tractors 240 Repair Manual Offers a vast collection of books, some of which are available for free as PDF downloads, particularly older books in the public domain. Massey Ferguson Tractors 240 Repair Manual : This website hosts a vast collection of scientific articles, books, and textbooks. While it operates in a legal gray area due to copyright issues, its a popular resource for finding various publications. Internet Archive for Massey Ferguson Tractors 240 Repair Manual : Has an extensive collection of digital content, including books, articles, videos, and more. It has a massive library of free downloadable books. Free-eBooks Massey Ferguson Tractors 240 Repair Manual Offers a diverse range of free eBooks across various genres. Massey Ferguson Tractors 240 Repair Manual Focuses mainly on educational books, textbooks, and business books. It offers free PDF downloads for educational purposes. Massey Ferguson Tractors 240 Repair Manual Provides a large selection of free eBooks in different genres, which are available for download in various formats, including PDF. Finding specific Massey Ferguson Tractors 240 Repair Manual, especially related to Massey Ferguson Tractors 240 Repair Manual, might be challenging as theyre often artistic creations rather than practical blueprints. However, you can explore the following steps to search for or create your own Online Searches: Look for websites, forums, or blogs dedicated to Massey Ferguson Tractors 240 Repair Manual, Sometimes enthusiasts share their designs or concepts in PDF format. Books and Magazines Some Massey Ferguson Tractors 240 Repair Manual books or magazines might include. Look for these in online

stores or libraries. Remember that while Massey Ferguson Tractors 240 Repair Manual, sharing copyrighted material without permission is not legal. Always ensure you're either creating your own or obtaining them from legitimate sources that allow sharing and downloading. Library Check if your local library offers eBook lending services. Many libraries have digital catalogs where you can borrow Massey Ferguson Tractors 240 Repair Manual eBooks for free, including popular titles. Online Retailers: Websites like Amazon, Google Books, or Apple Books often sell eBooks. Sometimes, authors or publishers offer promotions or free periods for certain books. Authors Website Occasionally, authors provide excerpts or short stories for free on their websites. While this might not be the Massey Ferguson Tractors 240 Repair Manual full book, it can give you a taste of the author's writing style. Subscription Services Platforms like Kindle Unlimited or Scribd offer subscription-based access to a wide range of Massey Ferguson Tractors 240 Repair Manual eBooks, including some popular titles.

FAQs About Massey Ferguson Tractors 240 Repair Manual Books

What is a Massey Ferguson Tractors 240 Repair Manual PDF? A PDF (Portable Document Format) is a file format developed by Adobe that preserves the layout and formatting of a document, regardless of the software, hardware, or operating system used to view or print it. **How do I create a Massey Ferguson Tractors 240 Repair Manual PDF?** There are several ways to create a PDF: Use software like Adobe Acrobat, Microsoft Word, or Google Docs, which often have built-in PDF creation tools. Print to PDF: Many applications and operating systems have a "Print to PDF" option that allows you to save a document as a PDF file instead of printing it on paper. Online converters: There are various online tools that can convert different file types to PDF. **How do I edit a Massey Ferguson Tractors 240 Repair Manual PDF?** Editing a PDF can be done with software like Adobe Acrobat, which allows direct editing of text, images, and other elements within the PDF. Some free tools, like PDFescape or Smallpdf, also offer basic editing capabilities. **How do I convert a Massey Ferguson Tractors 240 Repair Manual PDF to another file format?** There are multiple ways to convert a PDF to another format: Use online converters like Smallpdf, Zamzar, or Adobe Acrobat's export feature to convert PDFs to formats like Word, Excel, JPEG, etc. Software like Adobe Acrobat, Microsoft Word, or other PDF editors may have options to export or save PDFs in different formats. **How do I password-protect a Massey Ferguson Tractors 240 Repair Manual PDF?** Most PDF editing software allows you to add password protection. In Adobe Acrobat, for instance, you can go to "File" -> "Properties" -> "Security" to set a password to restrict access or editing capabilities. Are there any free alternatives to Adobe Acrobat for working with PDFs? Yes, there are many free alternatives for working with PDFs, such as: LibreOffice: Offers PDF editing features. PDFsam: Allows splitting, merging, and editing PDFs. Foxit Reader: Provides basic PDF viewing and editing capabilities. How do I compress a PDF file? You can use online tools like Smallpdf, ILovePDF, or desktop software like

Adobe Acrobat to compress PDF files without significant quality loss. Compression reduces the file size, making it easier to share and download. Can I fill out forms in a PDF file? Yes, most PDF viewers/editors like Adobe Acrobat, Preview (on Mac), or various online tools allow you to fill out forms in PDF files by selecting text fields and entering information. Are there any restrictions when working with PDFs? Some PDFs might have restrictions set by their creator, such as password protection, editing restrictions, or print restrictions. Breaking these restrictions might require specific software or tools, which may or may not be legal depending on the circumstances and local laws.

Find Massey Ferguson Tractors 240 Repair Manual :

[law 5 of 48 laws of power](#)

[lee pace belly button](#)

[les adieux a la reine](#)

[las cosas pequenas](#)

[leadership dissertation topics](#)

[learn corel draw](#)

[lemonade war pdf](#)

[lean metrics pdf](#)

[lean six sigma green belt certification test](#)

[leading without authority audiobook](#)

[learn norse language](#)

[letter of instruction template bank](#)

[letter of encouragement to a child](#)

[landscaping business books](#)

[learning turkish for beginners](#)

Massey Ferguson Tractors 240 Repair Manual :