

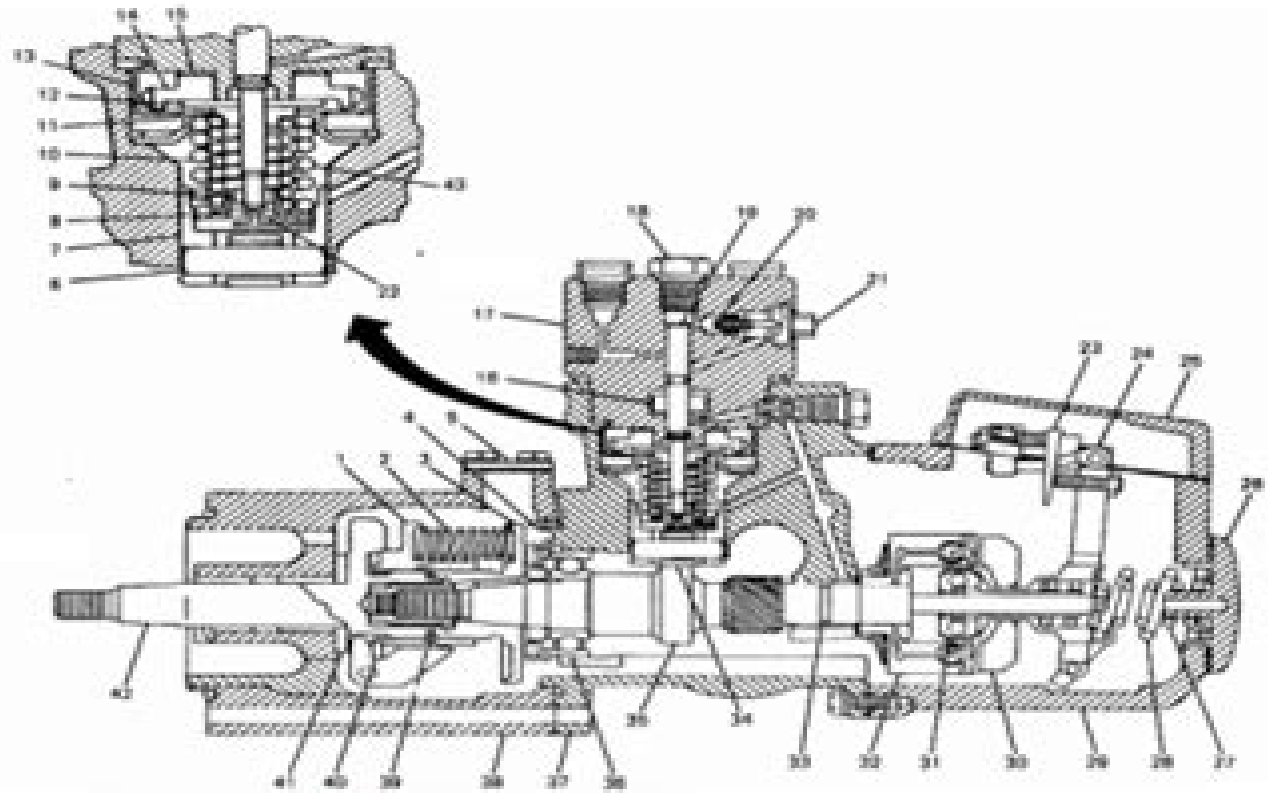


Find:

Systems & Principles

Bookmarks

- FIGURE 2-65
- FIGURE 2-66
- FIGURE 3-1
- FIGURE 3-2
- FIGURE 3-3
- FIGURE 3-4
- FIGURE 3-5
- FIGURE 3-6
- FIGURE 3-7
- FIGURE 3-8
- FIGURE 3-9
- FIGURE 3-10
- FIGURE 3-11
- FIGURE 3-12
- FIGURE 3-13
- FIGURE 3-14
- FIGURE 3-15
- FIGURE 3-16
- FIGURE 3-17
- FIGURE 3-18
- FIGURE 3-19
- FIGURE 3-20
- FIGURE 3-21
- FIGURE 3-22
- FIGURE 3-23
- FIGURE 3-24
- FIGURE 3-25



- |                         |                           |
|-------------------------|---------------------------|
| 1. SLIDING GEAR         | 23. STOP PLATE            |
| 2. TIMING DEVICE SPRING | 24. SMOKE LIMIT CAM       |
| 3. TIMING DEVICE HUB    | 25. GOVERNOR COVER        |
| 4. TIMING POINTER       | 26. GOVERNOR END CAP      |
| 5. TIMING COVER         | 27. GOVERNOR INNER SPRING |
| 6. TAPPET ROLLER PIN    | 28. GOVERNOR OUTER SPRING |
| 7. TAPPET GUIDE         | 29. GOVERNOR HOUSING      |
| 8. TAPPET ROLLER PIN    | 30. GOVERNOR WEIGHT       |

# Factory Service Manuals Free Download

**Bentley Publishers**



# Factory Service Manuals Free Download

Como Mantener Tu Volkswagen Vivo John Muir,1980-10-01 **Bentley BMW 3 Series Service Manual 1992-1998** Bentley Publishers,1999 If you re looking for better understanding of your E36 BMW look no further See and learn how to perform routine maintenance procedures with the highest level of clarity and comprehensiveness This in depth manual provides maintenance procedures for everything from brake fluid changes to resetting the service indicator Covers M3 318i 323i 325i 328i sedan coupe and convertible models 1992 98 **101 Projects for Your Porsche Boxster** Wayne R. Dempsey,2011-01-08 Since its introduction in 1997 the Porsche Boxster has earned a reputation as one of the world s greatest sports cars as well as a huge loyal following of devoted drivers This book is aimed at those owners of Boxsters who want to improve their machines while avoiding thousands of dollars in mechanic s costs Clearly and simply written with straightforward illustrations this manual offers 101 projects to help you modify maintain and enhance your Porsche Focusing on the 986 and 987 Boxster models 101 Projects for Your Porsche Boxster presents all the necessary information associated costs and pitfalls to avoid when performing a wide array of projects In a word it makes owning a Porsche Boxster an unqualified thrill **BMW 3 Series (F30, F31, F34) Service Manual: 2012, 2013, 2014, 2015: 320i, 328i, 328d, 335i, Including Xdrive** Bentley Publishers,2016-02-16 The BMW 3 Series F30 F31 F34 Service Manual 2012 2015 contains in depth maintenance service and repair information for the BMW 3 Series from 2012 to 2015 The aim throughout has been simplicity and clarity with practical explanations step by step procedures and accurate specifications Whether you re a professional or a do it yourself BMW owner this manual helps you understand care for and repair your 3 Series Engines Gasoline N20 engine 320i 328i including xDrive N26 SULEV engine 328i including xDrive N55 engine 335i including xDrive **Chilton's General Motors Full Size Trucks** Thomas A. Mellon,1996 Covers all U S and Canadian models of Chevrolet GMC pick ups Sierra Blazer Tahoe Yukon and Suburban 2 and 4 wheel drive gasoline and diesel engines Cover Porsche 911, 1965-1989 John Haynes,1990-07-30 Haynes disassembles every subject vehicle and documents every step with thorough instructions and clear photos Haynes repair manuals are used by the pros but written for the do it yourselfer Porsche 911 (Type 996) Service Manual 1999, 2000, 2001, 2002, 2003, 2004 2005 Bentley Publishers,2012 The full color Porsche 911 Carrera Type 996 Service Manual 1999 2005 is a comprehensive source of service information and specifications for Porsche 911 Type 996 Coupe Targa and Convertible models from 1999 to 2005 The aim throughout this manual has been simplicity and clarity with practical explanations step by step procedures and useful specifications Whether you re a professional or a do it yourself Porsche owner this manual will help you understand care for and repair your Porsche Engines covered 1999 2001 3 4 liter M96 01 M96 02 M96 04 2002 2005 3 6 liter M96 03 Transmissions covered G96 6 speed manual A96 5 speed automatic **BMW X3 (E83) Service Manual: 2004, 2005, 2006, 2007, 2008, 2009, 2010: 2.5i, 3.0i, 3.0si, Xdrive**

**30i** Bentley Publishers,2015-01-26 The BMW X3 E83 Service Manual 2004 2010 contains in depth maintenance service and repair information for the BMW X3 from 2004 to 2010 The aim throughout has been simplicity and clarity with practical explanations step by step procedures and accurate specifications Whether you re a professional or a do it yourself BMW owner this manual helps you understand care for and repair your BMW Engines covered M54 engine 2 5i 3 0i 2004 2006 N52 engine 3 0si xDrive 30i 2007 2010 Transmissions covered Manual ZF GS6 37BZ 6 speed Automatic GM A5S390R 5 speed Automatic GM GA6L45R 6 speed **BMW 5 Series (E60, E61) Service Manual: 2004, 2005, 2006, 2007, 2008, 2009, 2010: 525i, 525xi, 528i, 528xi, 530i, 530xi, 535i, 535xi, 545i, 550i** Bentley Publishers,2011-09-23 The BMW 5 Series E60 E61 Service Manual 2004 2010 contains in depth maintenance service and repair information for the BMW 5 Series from 2004 to 2010 The aim throughout has been simplicity and clarity with practical explanations step by step procedures and accurate specifications Whether you re a professional or a do it yourself BMW owner this manual helps you understand care for and repair your BMW discuss repairs more intelligently with a professional technician Models covered 525i and 530i M54 engine 2004 2005 N52 engine 2006 2007 528i N52K engine 2008 2010 535i N54 twin turbo engine 2008 2010 545i N62 V8 engine 2004 2005 550i N62 TU V8 engine 2006 2010 *MINI Cooper (R55, R56, R57) Service Manual* Bentley Publishers,2011 The MINI Cooper Cooper S Clubman R55 R56 R57 2007 2011 Service Manual is a comprehensive source of service information and specifications for MINI Cooper models from 2007 to 2011 also known as the Mk II The aim throughout this manual has been simplicity clarity and completeness with practical explanations step by step procedures and accurate specifications Whether you re a professional or a do it yourself MINI owner this manual will help you understand care for and repair your car Engines covered N12 2007 2010 N14 2007 2010 N16 2011 N18 2011 Transmissions covered Automatic gearbox 6 speed AISIN GA6F21WA Manual gearbox 6 speed Getrag GS6 55BG for Cooper GS6 53BG for Cooper S **Motor Auto Repair Manual** ,1979 **Jaguar XJ6** Jeff Kibler, Mike Stubblefield,1997 Saloon with 6 cyl DOHC engines automatic transmission Covers most features of Daimler 3 6 4 0 litre models Does NOT cover manual transmission or XJR models Petrol 3 2 litre 3239cc 3 6 litre 3590cc 4 0 litre 3980cc Does NOT cover 2 9 litre SOHC engine **Jeep Cj Rebuilder's Manual** Moses Ludel,2003 Between the covers of each of these manuals you will find the unit repair and overhaul steps for completely rebuilding a 1946 1971 Jeep CJ If engine transmission transfer case axle steering electrical or metal restoration seem difficult or beyond your sills here is the fix Jeep expert automotive instructor and author of the Jeep Owner s Bible Moses Ludel demystifies the most complex service procedures The AMC era CJ Jeep vehicle is a four wheel drive icon Built from 1972 1986 these models offer advanced technology and exceptional off pavement ability Today they remain top contenders on the roughest trails and byways providing the rugged utility that owners expect from the Jeep brand If working on your Jeep vehicle engine transmission transfer case axles steering system electrical system or body tub has seemed just beyond your skill level here is the fix Moses Ludel Jeep vehicle expert automotive instructor and author of the

Jeep Owner s Bible demystifies the most complex service procedures At his Camp Jeep workshops Moses discovered that hobbyists and professional Jeep vehicle mechanics alike want heavily illustrated step by step how to manuals For the Jeep vehicle owner who finds the typical workshop manual impossible to decipher Moses Ludel breaks ground with this book The author and photographer illustrator of more than 2 500 magazine tech articles and five popular Owner s Bible books Moses undertook the Jeep CJ Rebuilder s Manual to meet the needs of Jeep vehicle owners and restorers Using a pictorial step by step format this ambitious effort launches a series of how to rebuild manuals with a photograph marking each technical step

*Toyota Highlander Lexus RX 300/330/350 Haynes Repair Manual* Editors of Haynes Manuals,2020-02-25 Complete step by step repair and maintenance information 700 photos and wiring diagrams all based on a full disassembly and reassembly of the vehicle [How to Keep Your Toyota Pickup Alive](#) Larry Owens,1988 Owens provides precise easy to follow

instructions for 1975 to 1987 two and four wheel drive pickups 4 Runners and cab and chassis models Illustrated **Bosch Fuel Injection and Engine Management** C Probst,1989-11-27 This Bosch Bible fully explains the theory troubleshooting and service of all Bosch systems from D Jetronic through the latest Motronics Includes high performance tuning secrets and information on the newest KE and LH Motronic systems not available from any other source [MINI Cooper Service](#)

[Manual](#) Bentley Publishers,2010-08-01 The MINI Cooper Service Manual 2002 2006 is a comprehensive source of service information and specifications for MINI Cooper models from 2002 to 2006 The manual also includes coverage of the Cooper S models The aim throughout this manual has been simplicity clarity and completeness with practical explanations step by step procedures and accurate specifications Whether you re a professional or a do it yourself MINI owner this manual will help you understand care for and repair your car Models and engines covered Cooper 1 6 liter normally aspirated engine Cooper S 1 6 liter supercharged engine Transmissions covered Cooper Manual 5 speed transmission Midlands Getrag Cooper Automatic continuously variable transmission CVT Cooper S Manual 6 speed transmission Getrag Cooper S Automatic with Agitronic Aisin [Toyota Landcruiser Repair Manual](#) ,2012-01-01 Series 78 79 100 105 6 8 cylinder engines with 4 5L 4 7L petrol and 4 2L diesel *Volkswagen Jetta Service Manual* Bentley Publishers,2009 Provides service and repair information for the fifth generation also known as the A5 platform Volkswagen Jetta Provided by publisher **Official Radio Service**

**Manual** Hugo Gernsback,1977-04-01

**mon imagier bilingue avec mimi amazon com au** - Jun 18 2023

web select the department you want to search in

**mon imagier bilingue avec mimi de lucy cousins decitre** - Nov 11 2022

web jan 31 2007 bienvenue dans le monde magique de mimi le premier imagier français anglais conçu par lucy cousins contient plus de 300 mots ancrés dans l univers des enfants avec 25 scènes colorées et autant de surprises cachées sous des

rabats la découverte de la langue reste un jeu pour les plus jeunes caractéristiques date de [mon imagier bilingue avec mimi cousins lucy amazon fr](#) - Oct 22 2023

web bienvenue dans le monde magique de mimi le premier imagier franco anglais conçu par lucy cousins contient plus de 300 mots ancrés dans l univers des enfants avec 265 scènes colorées et autant de surprises cachées sous des rabats la découverte de la langue reste un jeu pour les plus jeunes

**mon imagier bilingue avec mimi catalogue en ligne** - May 05 2022

web bienvenue dans le monde magique de mimi le premier imagier franco anglais conçu par lucy cousins contient plus de 300 mots ancrés dans l univers des enfants avec 265 scènes colorées et autant de surprises cachées sous des rabats la découverte de la langue reste un jeu pour les plus jeunes

**mon imagier bilingue avec mimi bibliothèque municipale de** - Apr 04 2022

web résumé bienvenue dans le monde magique de mimi le premier imagier français anglais conçu par lucy cousins contient plus de 300 mots ancrés dans l univers des enfants avec 25 scènes colorées et autant de surprises cachées sous les rabats la découverte de la langue reste un jeu pour les plus jeunes

**mon imagier bilingue avec mimi lucy cousins albin michel** - Jan 13 2023

web jan 31 2007 avec 25 scènes colorées et autant de surprises cachées sous des rabats la découverte de la langue reste un jeu pour les plus jeunes bienvenue dans le monde magique de mimi le premier imagier français anglais conçu par lucy cousins contient plus de 300 mots ancrés dans l univers des enfants

**mon imagier bilingue avec mimi by lucy cousins alibris** - Apr 16 2023

web buy mon imagier bilingue avec mimi by lucy cousins online at alibris we have new and used copies available in 1 editions starting at 7 77 shop now

*mon imagier bilingue avec mimi librairie eyrolles* - Jul 19 2023

web bienvenue dans le monde magique de mimi le premier imagier français anglais conçu par lucy cousins contient plus de 300 mots ancrés dans l univers des enfants avec 25 scènes colorées et autant de surprises cachées sous des rabats la découverte de la langue reste un jeu pour les plus jeunes a partir de 3 ans

**mon imagier bilingue avec mimi cousins lucy librairie molière** - Feb 14 2023

web bienvenue dans le monde magique de mimi le premier imagier français anglais conçu par lucy cousins contient plus de 300 mots ancrés dans l univers des enfants avec 25 scènes colorées et autant de surprises cachées sous des rabats la découverte de la l

[mon imagier bilingue avec mimi couverture rigide abebooks](#) - Dec 12 2022

web bienvenue dans le monde magique de mimi le premier imagier français anglais conçu par lucy cousins contient plus de

300 mots ancrés dans l'univers des enfants avec 25 scènes colorées et autant de surprises cachées sous des rabats la découverte de la langue reste un jeu pour les plus jeunes

*mon imagier bilingue avec mimi ricochet jeunes org* - Sep 21 2023

web isbn 2226168535 14 90 euros thèmes langue étrangère apprentissage imagier acheter sur leslibraires fr ajouter à ma bibliographie votre avis sur ce livre l'avis de

**mon imagier bilingue avec mimi livre pas cher lucy cousins** - Aug 08 2022

web bienvenue dans le monde magique de mimi le premier imagier français anglais conçu par lucy cousins contient plus de 300 mots ancrés dans l'univers des enfants avec 25 scènes colorées et autant de surprises cachées sous des rabats la découverte de la

**mon imagier bilingue avec mimi detail ermes** - Jun 06 2022

web cet imagier français anglais présente à travers 25 scènes colorées et des rabats plus de 300 mots ancrés dans l'univers des enfants pour apprendre en s'amusant

*mon imagier bilingue avec mimi enfantilingue* - Aug 20 2023

web description détails délais d'expédition album grand format le premier imagier franco anglais conçu par lucy cousins contient plus de 300 mots ancrés dans l'univers des enfants avec 265 scènes colorées et autant de surprises cachées sous des rabats la découverte de la langue reste un jeu pour les plus jeunes 4ème de couverture

**mon imagier bilingue avec mimi librairie plume s** - Mar 03 2022

web bienvenue dans le monde magique de mimi le premier imagier français anglais conçu par lucy cousins contient plus de 300 mots ancrés dans

mon imagier bilingue avec mimi bonjour books dc - Sep 09 2022

web author cousins lucypublisher albin michelisbn 9782226168535 publication date january 31 2007 description bienvenue dans le monde magique de mimi le premier imagier français anglais conçu par lucy cousins contient plus de 300 mots ancrés dans l'univers des enfants avec 25 scènes colorées et autant de surprises cac

**mon imagier bilingue avec mimi le presse papier** - Oct 10 2022

web mon imagier bilingue avec mimi code ean13 9782226168535 auteur cousins lucy

**mon imagier bilingue avec mimi mon imagier bilingue avec mimi** - Jul 07 2022

web mon imagier bilingue avec mimi mon imagier bilingue avec mimi mon imagier bilingue avec mimi category book

wonderclub stock keeping unit wsku 978222616 product

*mon imagier bilingue avec mimi 300 mots amazon ca* - Mar 15 2023

web mar 22 2007 up to 90 off textbooks at amazon canada plus free two day shipping for six months when you sign up for

amazon prime for students

**mon imagier bilingue avec mimi a m liv cousin french edition** - May 17 2023

web feb 1 2007 amazon com mon imagier bilingue avec mimi a m liv cousin french edition 9782226168535 cousins lucy books

**the new division of labor princeton university press** - May 11 2023

web in the new division of labor frank levy and richard murnane show how computers

*new division of labor the economic times* - Nov 24 2021

web the new division of labor how computers are creating the next job market philip

**the new division of labor how computers are creating the** - Sep 03 2022

web select search scope currently catalog all catalog articles website more in one

**the new division of labor how computers are creating the** - Dec 06 2022

web jul 1 2006 request pdf on jul 1 2006 philip moss published the new division of

*project muse the new division of labor* - May 31 2022

web the new division of labor how computers are creating the next job marketjune

*the new division of labor how computers are creating t* - Jan 27 2022

web jun 1 2005 request pdf on jun 1 2005 steven p vallas published book review

**the new division of labor how computers are creating the next** - Jan 07 2023

web jan 1 2004 in the new division of labor frank levy and richard murnane show how

*pdf the new division of labor how computers are creating* - Jun 12 2023

web the new division of labor how computers are creating the next job market f

*book review the new division of labor how computers are* - Feb 25 2022

web the new division of labor how computers are creating the next job market frank

**the new division of labor how computers are** - Nov 05 2022

web thebiggestrelativelossesareoccurring in the lower middle of the

*the new division of labor how computers are* - Jul 13 2023

web nov 26 2012 in the new division of labor frank levy and richard murnane show

**the new division of labor how computers are creating the** - Mar 29 2022

web jun 1 2005 book review the new division of labor how computers are creating

*book review the new division of labor how computers* - Dec 26 2021

web feb 26 2023 new division of labor latest breaking news pictures videos and



**the new division of labor how computers are creating the** - Feb 08 2023

web sep 18 2005 in the new division of labor frank levy and richard murnane show

**the new division of labor how computers are creating the next** - Aug 02 2022

web the new division of labor how computers are creating the next job market levy

**the new division of labor how computers are creating the** - Apr 29 2022

web in the new division of labor frank levy and richard murnane show how computers

**the new division of labor how computers are creating the** - Apr 10 2023

web the new division of labor how computers are creating the next job market philip

**the new division of labor how computers are** - Mar 09 2023

web sep 18 2005 in the new division of labor frank levy and richard murnane show

the new division of labor how computers are creating the - Aug 14 2023

web jstor org stable j ctt1r2frw 12 in 1960 herbert simon took the risk of predicting how computers would change the mix of occupations by 1985 we conclude this book by taking a similar risk speculating on how computers will change

**the new division of labor how computers are creating the** - Oct 24 2021

**the new division of labor how computers are creating the** - Jul 01 2022

web in the new division of labor frank levy and richard murnane show how computers

the new division of labor how computers are creating the - Oct 04 2022

web the new division of labor how computers are creating the next job market october

**pipe drafting and design roy a parisher robert a rhea** - Nov 15 2021

web oct 4 2011 pipe drafting and design third edition provides step by step instructions to walk pipe designers drafters and students through the creation of piping arrangement

**pipe drafting and design roy a parisher robert a rhea** - Feb 28 2023

web aug 25 2021 roy a parisher robert a rhea elsevier science aug 25 2021 technology engineering 494 pages pipe drafting and design fourth edition is a

*pipe drafting and design roy a parisher google books* - Jul 04 2023

web oct 4 2011 roy a parisher gulf professional publishing oct 4 2011 technology engineering 418 pages pipe drafting and design third edition provides step by step

**pipe drafting and design 3rd edition elsevier** - Apr 01 2023

web oct 4 2011 pipe drafting and design third edition provides step by step instructions to walk pipe designers drafters and

students through the creation of piping arrangement

**roy hezer İstanbul Üniversitesi İstanbul İstanbul türkiye** - Dec 17 2021

web roy hezer Şu okulda öğrenci İstanbul Üniversitesi İstanbul İstanbul türkiye 2 takipçi 2 bağlantı

**design and engineering İstanbul shipyard** - Jan 18 2022

web design design team consists of naval architects and designers of all specializations whom are all qualified technical university graduates with at least 10 years experience

*asme b31 3 process piping design virtual classroom* - Mar 20 2022

web ronald w haupt p e is a senior consultant for pressure piping engineering associates with 60 years experience in the design of power and process plant structures

pipe drafting and design parisher roy a rhea robert a - Oct 27 2022

web roy a parisher eser sahibi robert a rhea eser sahibi 5 yıldız üzerinden 3 9 4 değerlendirme pipe drafting and design fourth edition is a tried and trusted guide

*pipe drafting and design parisher roy a amazon com tr kitap* - Dec 29 2022

web yurtdışından rahatlıkla alışverişinizi yapın pipe drafting and design third edition provides step by step instructions to walk pipe designers drafters and students through the

*structural design in pendik istanbul turkey pro plant design* - Feb 16 2022

web structural design ppd provides steel and concrete structure design drafting projects mainly for process plants accordingly with european norms and standards process

*pipe drafting and design by roy a parisher open library* - Jun 22 2022

web nov 18 2022 pipe drafting and design by roy a parisher 1996 elsevier science technology books edition in english it looks like you re offline pipe drafting and

**pipe drafting and design pdf 40 87 mb pdf room** - Jul 24 2022

web apr 14 2020 pipe drafting and design pdf 40 87 mb pdf room pipe drafting and design pdf 2011 470 pages 40 87 mb english posted april 14 2020

**pipe drafting and design roy a parisher google books** - Nov 27 2022

web oct 24 2001 pipe drafting and design roy a parisher elsevier oct 24 2001 technology engineering 368 pages 7 reviews reviews aren t verified but google

**pipe drafting and design ebook parisher roy a amazon in** - May 22 2022

web paperback 8 269 00 2 used from 12 711 00 9 new from 6 396 00 pipe drafting and design third edition provides step by step instructions to walk pipe designers

**pipe drafting and design parisher roy a free download** - Oct 07 2023

web pipe drafting and design by parisher roy a publication date 2002 topics piping drawing handbooks manuals etc piping design and construction handbooks

**pipe drafting and design 4th edition elsevier** - Aug 05 2023

web aug 19 2021 pipe drafting and design 4th edition august 19 2021 authors roy a parisher robert a rhea paperback isbn 9780128220474 ebook isbn

**pipe drafting and design by roy a parisher robert a rhea** - Aug 25 2022

web pipe drafting and design show full title by roy a parisher and robert a rhea 0 ratings about this ebook pipe drafting and design fourth edition is a tried and trusted guide

*pipe drafting and design roy a parisher robert a rhea* - Sep 25 2022

web pipe drafting and design second edition provides step by step instructions to walk pipe designers and drafters and students in engineering design graphics and engineering

*download pipe drafting and design by roy a parisher robert a* - Apr 20 2022

web pipe drafting and design author roy a parisher robert a rhea language english isbn 9780128220481 0128220481 year 2022 file size 34 3 mb total downloads

pipe drafting and design parisher roy a rhea - May 02 2023

web sep 8 2021 paperback 73 15 77 00 9 used from 69 16 14 new from 77 00 pipe drafting and design fourth edition is a tried and trusted guide to the terminology

**pipe drafting and design roy a parisher robert a rhea** - Jan 30 2023

web aug 19 2021 roy a parisher robert a rhea gulf professional publishing aug 19 2021 technology engineering 494 pages pipe drafting and design fourth edition is a

pipe drafting and design sciencedirect - Jun 03 2023

web roy a parisher and robert a rhea pipe drafting and design fourth edition is a tried and trusted guide to the terminology drafting methods and applications of pipes

pipe drafting and design parisher roy a - Sep 06 2023

web oct 18 2011 pipe drafting and design 3rd edition by roy a parisher author 4 5 75 ratings see all formats and editions

Fuel your quest for knowledge with Authored by is thought-provoking masterpiece, Dive into the World of **Factory Service Manuals Free Download** . This educational ebook, conveniently sized in PDF ( Download in PDF: \*), is a gateway to personal growth and intellectual stimulation. Immerse yourself in the enriching content curated to cater to every eager mind. Download now and embark on a learning journey that promises to expand your horizons. .

[https://offsite.creighton.edu/files/virtual-library/Documents/indus\\_valley\\_writing\\_system.pdf](https://offsite.creighton.edu/files/virtual-library/Documents/indus_valley_writing_system.pdf)

[https://offsite.creighton.edu/files/virtual-library/Documents/in\\_the\\_shadow\\_of\\_man\\_by\\_jane\\_goodall.pdf](https://offsite.creighton.edu/files/virtual-library/Documents/in_the_shadow_of_man_by_jane_goodall.pdf)

[https://offsite.creighton.edu/files/virtual-library/Documents/irish\\_chain\\_quilt\\_pattern\\_variations.pdf](https://offsite.creighton.edu/files/virtual-library/Documents/irish_chain_quilt_pattern_variations.pdf)

## **Table of Contents Factory Service Manuals Free Download**

1. Understanding the eBook Factory Service Manuals Free Download
  - The Rise of Digital Reading Factory Service Manuals Free Download
  - Advantages of eBooks Over Traditional Books
2. Identifying Factory Service Manuals Free Download
  - Exploring Different Genres
  - Considering Fiction vs. Non-Fiction
  - Determining Your Reading Goals
3. Choosing the Right eBook Platform
  - Popular eBook Platforms
  - Features to Look for in an Factory Service Manuals Free Download
  - User-Friendly Interface
4. Exploring eBook Recommendations from Factory Service Manuals Free Download
  - Personalized Recommendations

- Factory Service Manuals Free Download User Reviews and Ratings
- Factory Service Manuals Free Download and Bestseller Lists
- 5. Accessing Factory Service Manuals Free Download Free and Paid eBooks
  - Factory Service Manuals Free Download Public Domain eBooks
  - Factory Service Manuals Free Download eBook Subscription Services
  - Factory Service Manuals Free Download Budget-Friendly Options
- 6. Navigating Factory Service Manuals Free Download eBook Formats
  - ePub, PDF, MOBI, and More
  - Factory Service Manuals Free Download Compatibility with Devices
  - Factory Service Manuals Free Download Enhanced eBook Features
- 7. Enhancing Your Reading Experience
  - Adjustable Fonts and Text Sizes of Factory Service Manuals Free Download
  - Highlighting and Note-Taking Factory Service Manuals Free Download
  - Interactive Elements Factory Service Manuals Free Download
- 8. Staying Engaged with Factory Service Manuals Free Download
  - Joining Online Reading Communities
  - Participating in Virtual Book Clubs
  - Following Authors and Publishers Factory Service Manuals Free Download
- 9. Balancing eBooks and Physical Books Factory Service Manuals Free Download
  - Benefits of a Digital Library
  - Creating a Diverse Reading Collection Factory Service Manuals Free Download
- 10. Overcoming Reading Challenges
  - Dealing with Digital Eye Strain
  - Minimizing Distractions
  - Managing Screen Time
- 11. Cultivating a Reading Routine Factory Service Manuals Free Download
  - Setting Reading Goals Factory Service Manuals Free Download
  - Carving Out Dedicated Reading Time
- 12. Sourcing Reliable Information of Factory Service Manuals Free Download
  - Fact-Checking eBook Content of Factory Service Manuals Free Download

- Distinguishing Credible Sources
- 13. Promoting Lifelong Learning
  - Utilizing eBooks for Skill Development
  - Exploring Educational eBooks
- 14. Embracing eBook Trends
  - Integration of Multimedia Elements
  - Interactive and Gamified eBooks

### **Factory Service Manuals Free Download Introduction**

Factory Service Manuals Free Download Offers over 60,000 free eBooks, including many classics that are in the public domain. Open Library: Provides access to over 1 million free eBooks, including classic literature and contemporary works. Factory Service Manuals Free Download Offers a vast collection of books, some of which are available for free as PDF downloads, particularly older books in the public domain. Factory Service Manuals Free Download : This website hosts a vast collection of scientific articles, books, and textbooks. While it operates in a legal gray area due to copyright issues, its a popular resource for finding various publications. Internet Archive for Factory Service Manuals Free Download : Has an extensive collection of digital content, including books, articles, videos, and more. It has a massive library of free downloadable books. Free-eBooks Factory Service Manuals Free Download Offers a diverse range of free eBooks across various genres. Factory Service Manuals Free Download Focuses mainly on educational books, textbooks, and business books. It offers free PDF downloads for educational purposes. Factory Service Manuals Free Download Provides a large selection of free eBooks in different genres, which are available for download in various formats, including PDF. Finding specific Factory Service Manuals Free Download, especially related to Factory Service Manuals Free Download, might be challenging as theyre often artistic creations rather than practical blueprints. However, you can explore the following steps to search for or create your own Online Searches: Look for websites, forums, or blogs dedicated to Factory Service Manuals Free Download, Sometimes enthusiasts share their designs or concepts in PDF format. Books and Magazines Some Factory Service Manuals Free Download books or magazines might include. Look for these in online stores or libraries. Remember that while Factory Service Manuals Free Download, sharing copyrighted material without permission is not legal. Always ensure youre either creating your own or obtaining them from legitimate sources that allow sharing and downloading. Library Check if your local library offers eBook lending services. Many libraries have digital catalogs where you can borrow Factory Service Manuals Free Download eBooks for free, including popular titles. Online Retailers: Websites like Amazon, Google Books, or Apple Books often sell eBooks. Sometimes, authors or publishers offer promotions or free periods for

certain books. Authors Website Occasionally, authors provide excerpts or short stories for free on their websites. While this might not be the Factory Service Manuals Free Download full book, it can give you a taste of the authors writing style. Subscription Services Platforms like Kindle Unlimited or Scribd offer subscription-based access to a wide range of Factory Service Manuals Free Download eBooks, including some popular titles.

### FAQs About Factory Service Manuals Free Download Books

How do I know which eBook platform is the best for me? Finding the best eBook platform depends on your reading preferences and device compatibility. Research different platforms, read user reviews, and explore their features before making a choice. Are free eBooks of good quality? Yes, many reputable platforms offer high-quality free eBooks, including classics and public domain works. However, make sure to verify the source to ensure the eBook credibility. Can I read eBooks without an eReader? Absolutely! Most eBook platforms offer web-based readers or mobile apps that allow you to read eBooks on your computer, tablet, or smartphone. How do I avoid digital eye strain while reading eBooks? To prevent digital eye strain, take regular breaks, adjust the font size and background color, and ensure proper lighting while reading eBooks. What the advantage of interactive eBooks? Interactive eBooks incorporate multimedia elements, quizzes, and activities, enhancing the reader engagement and providing a more immersive learning experience. Factory Service Manuals Free Download is one of the best book in our library for free trial. We provide copy of Factory Service Manuals Free Download in digital format, so the resources that you find are reliable. There are also many Ebooks of related with Factory Service Manuals Free Download. Where to download Factory Service Manuals Free Download online for free? Are you looking for Factory Service Manuals Free Download PDF? This is definitely going to save you time and cash in something you should think about.

### Find Factory Service Manuals Free Download :

[indus valley writing system](#)

[in the shadow of man by jane goodall](#)

[irish chain quilt pattern variations](#)

[\*\*indiana beach donation request\*\*](#)

[interactive activities for mental health](#)

[\*\*interview questions for maintenance\*\*](#)

*inspire science grade 6*

**indian bows and arrows**

**in our hands the battle for jerusalem**

~~ipad language learning~~

*introduction to data mining pdf*

infant education curriculum

*introductory chemistry 6th edition nivaldo j tro*

**introduction to cartography**

**into the wild test**

**Factory Service Manuals Free Download :**