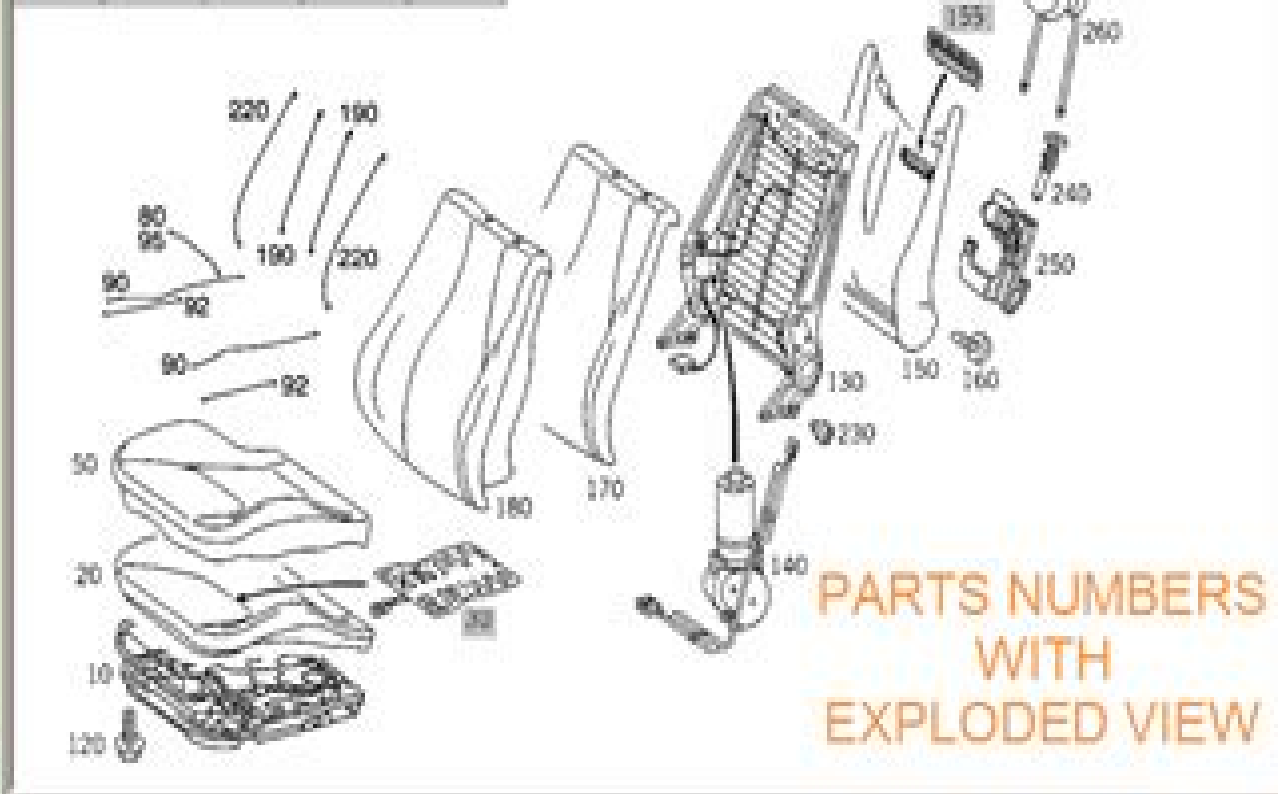




✓	Item	Part number	Designation/Description
<input type="checkbox"/>	10	A 220 910 03 22	CUSHION FRAME LEFT BOM From Chassis
<input type="checkbox"/>	20	A 220 910 02 50	REST LEFT SEAT BOM From Chassis Code: 481
<input type="checkbox"/>	50	A 220 910 05 46 8072	COVER LEATHER TRIM LEFT BOM From Color Set Code: 2706
<input type="checkbox"/>	80	A 460 924 00 29	CLAMP CROSS STAPLE UPHOLSTERY LEFT SEAT 205PH
<input type="checkbox"/>	90	A 220 914 05 29	CLAMP LONGITUDINAL STAPLE LI OUT. LEFT/RIGHT, LEFT S BOM From Chassis
<input type="checkbox"/>	92	A 460 924 00 29	CLAMP LONGITUDINAL STAPLE LI CENTER LEFT SEAT 205PH
<input type="checkbox"/>	95	A 203 914 03 29	CLAMP CROSS STAPLE FRONT 20
<input type="checkbox"/>	100	A 006 968 09 78	CLIP STAPLE CUSHION BACK, L
<input type="checkbox"/>	110	A 006 968 12 78	CLIP UPHOLSTERY FO-CUSHION
<input type="checkbox"/>	120	N 924130 006006	SCREW LEFT SEAT CUSHION AT 5.7



PARTS NUMBERS WITH EXPLODED VIEW

Mercedes Benz Parts Repair Manual

Owners Edition



Mercedes Benz Parts Repair Manual

Delve into the emotional tapestry woven by Emotional Journey with in Experience **Mercedes Benz Parts Repair Manual** . This ebook, available for download in a PDF format (*), is more than just words on a page; it's a journey of connection and profound emotion. Immerse yourself in narratives that tug at your heartstrings. Download now to experience the pulse of each page and let your emotions run wild.

<https://offsite.creighton.edu/book/browse/HomePages/Ftce%20Health%20K%2012%20Practice%20Test.pdf>

<https://offsite.creighton.edu/book/browse/HomePages/fundraising%20ideas%20for%20nonprofit%20organizations%20pdf.pdf>

https://offsite.creighton.edu/book/browse/HomePages/free_donation_letter_template_word.pdf

Table of Contents Mercedes Benz Parts Repair Manual

1. Understanding the eBook Mercedes Benz Parts Repair Manual
 - The Rise of Digital Reading Mercedes Benz Parts Repair Manual
 - Advantages of eBooks Over Traditional Books
2. Identifying Mercedes Benz Parts Repair Manual
 - Exploring Different Genres
 - Considering Fiction vs. Non-Fiction
 - Determining Your Reading Goals
3. Choosing the Right eBook Platform
 - Popular eBook Platforms
 - Features to Look for in an Mercedes Benz Parts Repair Manual
 - User-Friendly Interface
4. Exploring eBook Recommendations from Mercedes Benz Parts Repair Manual
 - Personalized Recommendations
 - Mercedes Benz Parts Repair Manual User Reviews and Ratings
 - Mercedes Benz Parts Repair Manual and Bestseller Lists
5. Accessing Mercedes Benz Parts Repair Manual Free and Paid eBooks
 - Mercedes Benz Parts Repair Manual Public Domain eBooks
 - Mercedes Benz Parts Repair Manual eBook Subscription Services
 - Mercedes Benz Parts Repair Manual Budget-Friendly Options

6. Navigating Mercedes Benz Parts Repair Manual eBook Formats
 - ePub, PDF, MOBI, and More
 - Mercedes Benz Parts Repair Manual Compatibility with Devices
 - Mercedes Benz Parts Repair Manual Enhanced eBook Features
7. Enhancing Your Reading Experience
 - Adjustable Fonts and Text Sizes of Mercedes Benz Parts Repair Manual
 - Highlighting and Note-Taking Mercedes Benz Parts Repair Manual
 - Interactive Elements Mercedes Benz Parts Repair Manual
8. Staying Engaged with Mercedes Benz Parts Repair Manual
 - Joining Online Reading Communities
 - Participating in Virtual Book Clubs
 - Following Authors and Publishers Mercedes Benz Parts Repair Manual
9. Balancing eBooks and Physical Books Mercedes Benz Parts Repair Manual
 - Benefits of a Digital Library
 - Creating a Diverse Reading Collection Mercedes Benz Parts Repair Manual
10. Overcoming Reading Challenges
 - Dealing with Digital Eye Strain
 - Minimizing Distractions
 - Managing Screen Time
11. Cultivating a Reading Routine Mercedes Benz Parts Repair Manual
 - Setting Reading Goals Mercedes Benz Parts Repair Manual
 - Carving Out Dedicated Reading Time
12. Sourcing Reliable Information of Mercedes Benz Parts Repair Manual
 - Fact-Checking eBook Content of Mercedes Benz Parts Repair Manual
 - Distinguishing Credible Sources
13. Promoting Lifelong Learning
 - Utilizing eBooks for Skill Development
 - Exploring Educational eBooks
14. Embracing eBook Trends
 - Integration of Multimedia Elements

- Interactive and Gamified eBooks

Mercedes Benz Parts Repair Manual Introduction

In the digital age, access to information has become easier than ever before. The ability to download Mercedes Benz Parts Repair Manual has revolutionized the way we consume written content. Whether you are a student looking for course material, an avid reader searching for your next favorite book, or a professional seeking research papers, the option to download Mercedes Benz Parts Repair Manual has opened up a world of possibilities. Downloading Mercedes Benz Parts Repair Manual provides numerous advantages over physical copies of books and documents. Firstly, it is incredibly convenient. Gone are the days of carrying around heavy textbooks or bulky folders filled with papers. With the click of a button, you can gain immediate access to valuable resources on any device. This convenience allows for efficient studying, researching, and reading on the go. Moreover, the cost-effective nature of downloading Mercedes Benz Parts Repair Manual has democratized knowledge. Traditional books and academic journals can be expensive, making it difficult for individuals with limited financial resources to access information. By offering free PDF downloads, publishers and authors are enabling a wider audience to benefit from their work. This inclusivity promotes equal opportunities for learning and personal growth. There are numerous websites and platforms where individuals can download Mercedes Benz Parts Repair Manual. These websites range from academic databases offering research papers and journals to online libraries with an expansive collection of books from various genres. Many authors and publishers also upload their work to specific websites, granting readers access to their content without any charge. These platforms not only provide access to existing literature but also serve as an excellent platform for undiscovered authors to share their work with the world. However, it is essential to be cautious while downloading Mercedes Benz Parts Repair Manual. Some websites may offer pirated or illegally obtained copies of copyrighted material. Engaging in such activities not only violates copyright laws but also undermines the efforts of authors, publishers, and researchers. To ensure ethical downloading, it is advisable to utilize reputable websites that prioritize the legal distribution of content. When downloading Mercedes Benz Parts Repair Manual, users should also consider the potential security risks associated with online platforms. Malicious actors may exploit vulnerabilities in unprotected websites to distribute malware or steal personal information. To protect themselves, individuals should ensure their devices have reliable antivirus software installed and validate the legitimacy of the websites they are downloading from. In conclusion, the ability to download Mercedes Benz Parts Repair Manual has transformed the way we access information. With the convenience, cost-effectiveness, and accessibility it offers, free PDF downloads have become a popular choice for students, researchers, and book lovers worldwide. However, it is crucial to engage in ethical downloading practices and prioritize personal security when utilizing online platforms. By doing so, individuals can make the most of the vast array of

free PDF resources available and embark on a journey of continuous learning and intellectual growth.

FAQs About Mercedes Benz Parts Repair Manual Books

What is a Mercedes Benz Parts Repair Manual PDF? A PDF (Portable Document Format) is a file format developed by Adobe that preserves the layout and formatting of a document, regardless of the software, hardware, or operating system used to view or print it. **How do I create a Mercedes Benz Parts Repair Manual PDF?** There are several ways to create a PDF: Use software like Adobe Acrobat, Microsoft Word, or Google Docs, which often have built-in PDF creation tools. Print to PDF: Many applications and operating systems have a "Print to PDF" option that allows you to save a document as a PDF file instead of printing it on paper. Online converters: There are various online tools that can convert different file types to PDF. **How do I edit a Mercedes Benz Parts Repair Manual PDF?** Editing a PDF can be done with software like Adobe Acrobat, which allows direct editing of text, images, and other elements within the PDF. Some free tools, like PDFescape or Smallpdf, also offer basic editing capabilities. **How do I convert a Mercedes Benz Parts Repair Manual PDF to another file format?** There are multiple ways to convert a PDF to another format: Use online converters like Smallpdf, Zamzar, or Adobe Acrobats export feature to convert PDFs to formats like Word, Excel, JPEG, etc. Software like Adobe Acrobat, Microsoft Word, or other PDF editors may have options to export or save PDFs in different formats. **How do I password-protect a Mercedes Benz Parts Repair Manual PDF?** Most PDF editing software allows you to add password protection. In Adobe Acrobat, for instance, you can go to "File" -> "Properties" -> "Security" to set a password to restrict access or editing capabilities. Are there any free alternatives to Adobe Acrobat for working with PDFs? Yes, there are many free alternatives for working with PDFs, such as: LibreOffice: Offers PDF editing features. PDFsam: Allows splitting, merging, and editing PDFs. Foxit Reader: Provides basic PDF viewing and editing capabilities. How do I compress a PDF file? You can use online tools like Smallpdf, ILovePDF, or desktop software like Adobe Acrobat to compress PDF files without significant quality loss. Compression reduces the file size, making it easier to share and download. Can I fill out forms in a PDF file? Yes, most PDF viewers/editors like Adobe Acrobat, Preview (on Mac), or various online tools allow you to fill out forms in PDF files by selecting text fields and entering information. Are there any restrictions when working with PDFs? Some PDFs might have restrictions set by their creator, such as password protection, editing restrictions, or print restrictions. Breaking these restrictions might require specific software or tools, which may or may not be legal depending on the circumstances and local laws.

Find Mercedes Benz Parts Repair Manual :

ftce health k 12 practice test

fundraising ideas for nonprofit organizations pdf

free donation letter template word

frederick douglass brainpop

free couples bible study

fundamentals of nursing urinary elimination

free texas real estate forms

functional group identification practice

ftce social science 5 9

fun softball practice ideas

free crochet magazine

full practice teas test

four stepping stones rescue

french colorful cookies

french jingle bells

Mercedes Benz Parts Repair Manual :

5th grade writing prompts pdf free journalbuddies com - Dec 09 2022

web apr 1 2020 use the following opinion writing prompts to inspire them to start thinking and writing persuasively

prompts about school and sports school and sports related

100 new 5th grade writing prompts yourdictionary - Apr 13 2023

web twinkl tip our fifth grade opinion writing prompts span a plethora of topics and subject areas so you re sure to find

something to engage and inspire all of your students

5th grade opinion writing prompts text types - Feb 11 2023

web these opinion writing prompts for 5th grade are perfect for your writing lessons or literacy centers there are 25 opinion

writing worksheets so that writing for the year is

81 great fifth grade writing prompts elementary assessments - Nov 27 2021

[fun creative writing and essay topics for grade 5 - Sep 25 2021](#)

49 opinion writing prompts for students thoughtco - Aug 05 2022

web opinion paper prompt that is sure to spark their interest developed for 4th 5th grade text based writing written in florida fsa format but applicable across multi

opinion writing prompts 5th grade express your insights - May 02 2022

web write a personal narrative story worksheet halloween creative writing prompt 1 the haunted house worksheet reading comprehension wizard of oz interactive

5th grade opinion writing prompts study com - Sep 06 2022

web sep 17 2023 our opinion writing prompts for 5th grade are designed to inspire insightful responses and encourage young minds to express their thoughts confidently from

61 awesome opinion writing prompts for 5th grade students - Jul 16 2023

web sep 25 2022 empower fifth graders to embrace their opinions preferences and beliefs using these exciting opinion writing prompts for 5th grade students in the process

browse printable 5th grade writing worksheets education com - Dec 29 2021

a list of topics for opinion writing for the fifth grade - Feb 28 2022

web dec 27 2022 see the full list of prompts here journalbuddies com writing grade level 5th grade opinion writing use these 5th grade opinion writing prompts t

30 great 5th grade opinion writing prompts journal buddies - Sep 18 2023

as fifth grade students transition from elementary school to middle school they frequently become more adept at expressing their own thoughts and ideas and in many cases also even more eager to do so you can nurture this important skill in your students with our set of 30 5th grade opinion writing see more

search printable 5th grade opinion writing worksheets - Mar 12 2023

web w 5 1 write opinion pieces on topics or texts supporting a point of view with reasons and information w 5 1 a introduce a topic or text clearly state an opinion and create an

100 fun writing prompts for 5th grade splashlearn - Jan 30 2022

web aug 2 2022 welcome here you ll find 34 creative writing topics 28 bonus essay topics for grade 5 students there s no doubt about it great writing ideas are one of

36 opinion writing prompts for students journalbuddies com - Jun 15 2023

web may 19 2020 5th grade opinion writing prompts tests like the florida standards assessment for fourth and fifth graders require students to write an opinion essay

[35 awesome 5th grade writing prompts](#) - Nov 08 2022

web apr 1 2020 the following fifth grade writing prompts encourage students to develop their skills through topics that are meaningful to them narrative essay writing prompts

[writing prompts for 5th graders thoughtco](#) - Jul 04 2022

web may 17 2019 at the fifth grade level students should be able to write a well constructed convincing opinion writing sample according to the common core state standards

[fifth grade opinion writing prompts terrific teaching tactics](#) - Oct 07 2022

web jun 23 2022 fifth grade writing prompts and journal ideas journaling helps students work out problems on paper create new ideas and work through strong feelings and

[opinion writing prompts 5th grade teaching resources tpt](#) - Apr 01 2022

web aug 6 2023 describe something you have seen that was unusual 13 explain how you would solve a problem in your community 14 write a news story about yesterday 15

[5th grade opinion writing prompt utah education network](#) - Jan 10 2023

web lesson course 6 6k views social issue opinion writing prompts some students find passion in topics that relate to social issues arguing for one side of an issue or another

75 fifth grade writing prompts kids will love free slides - May 14 2023

web cite and explain your evidence 1 literary response worksheet writing an opinion worksheet writing an opinion worksheet writing prompt my favorite season

55 opinion writing prompts for 5th graders teacher s notepad - Aug 17 2023

you can use our list of ideas to assign a specific writing task or as group ideas for your entire class of fifth graders plus any one of these prompts see more

30 great 5th grade opinion writing prompts youtube - Oct 27 2021

72 fantastic and free 5th grade journal prompts - Jun 03 2022

web may 10 2023 opinion writing prompts 5th grade to help encourage critical thinking and self expression in young students here are ten 5th grade writing prompt ideas to get

[great lakes lighthouses 2013 calendar amazon co uk](#) - Feb 22 2023

buy great lakes lighthouses 2013 calendar by browntrout publishers isbn 9781421699707 from amazon s book store

everyday low prices and free delivery on eligible orders

great lakes lighthouses calendar wall browntrout - Jul 30 2023

select your favorite 2013 calender from our thousands of choices including our great lakes lighthouses calendars assortment our calenders include almost every type of wall

lighthouse calendars 2013 - May 28 2023

aug 16 2023 this atlantic coast lighthouses calendar celebrates some of the shining sentinels that have kept a dutiful watch on these busy shores for so many years ean

grand lake st marys lighthouse wikipedia - Jan 12 2022

aug 18 2022 2023 great lakes lighthouse desktop calendar beautiful lighthouse photos inspirational quotes on each month stand up easel flip calendar jan 2023 to dec 2023

2023 great lakes lighthouse desktop calendar amazon com - Nov 09 2021

great lakes lighthouses 2023 wall calendar by browntrout - Jan 24 2023

great lakes lighthouses 2023 wall calendar 15 99 appreciating the style and nuances of cooking and its presentation takes your culinary adventure beyond mere food to cuisine enjoy

great lakes lighthouses great lakes cruises - May 16 2022

map of all great lakes lighthouses lighthouses with volunteer programs bed breakfast lighthouses

mapping the great lakes lighthouse search - Jul 18 2022

mar 28 2022 it is easy to see that lighthouse are so common along the great lakes that it would be absurd to have never seen one the great lakes coastline is nearly completely

lighthouse wall calendars 2013 - Mar 26 2023

oct 23 2023 select your favorite 2013 calender from our thousands of choices including our lighthouse wall calendars assortment our calenders include almost every type of wall

lighthouses great lakes 2024 wall calendar calendars com - Dec 23 2022

lighthouses great lakes 2024 wall calendar free shipping on qualifying orders shop our huge selection at calendars com

great lakes lighthouses 2013 calendar by housing gov mv - Oct 01 2023

2013 calendar great lakes lighthouses 2013 wall calendar 169 best lighthouses of the great lakes images in 2020 collecting lighthouses where the robert meets the road lighthouses

great lakes lighthouses 2013 calendar by - Apr 26 2023

in america travel usa lighthouse wall calendars 2013 calendar review great lakes lighthouses 2013 square 12x12 new

england lighthouses to be featured on new u s stamps

new england lighthouses 2013 calendar analytics mirowin - Nov 21 2022

new england lighthouses 2013 calendar 1 new england lighthouses 2013 calendar the leader in me chase s calendar of events

2014 midnight rising the girl in the lighthouse

lighthouses of the great lakes 2023 wall calendar amazon com - Jun 28 2023

aug 15 2022 this calendar features twelve lighthouses from around the great lakes so that you can enjoy the views without the drive printed with soy based inks on fsc certified paper

great lakes lighthouses gllka - Apr 14 2022

jan 18 2022 a historic lighthouse located in istanbul s far northeast has been reopened following comprehensive restoration works commissioned by the ottoman sultan abdülmeçid

buy great lakes lighthouses 2013 calendar book online at low - Sep 19 2022

amazon in buy great lakes lighthouses 2013 calendar book online at best prices in india on amazon in read great lakes lighthouses 2013 calendar book reviews author details

lighthouses great lakes 2018 7 x 7 inch monthly mini wall - Aug 19 2022

wall calendar usa united states of america ocean sea coast north american maps for curious minds a novel life and death on the great lakes lighthouses great lakes 2018 7 x 7

great lakes lighthouses calendar hardcover engagement - Dec 11 2021

great lakes lighthouses 2009 calendar pdf zapmap nissan co - Jun 16 2022

2 great lakes lighthouses 2009 calendar 2022 12 30 michigan s haunted lighthouses chronicle books steamboats and sailors of the great lakes is the most thorough and factual

great lakes lighthouses calendar deluxe wall browntrout - Aug 31 2023

select your favorite 2013 calender from our thousands of choices including our great lakes lighthouses calendars assortment our calenders include almost every type of wall

cheers lighthouse istanbul bijgewerkte prijzen - Feb 10 2022

select your favorite 2013 calender from our thousands of choices including our great lakes lighthouses calendars assortment our calenders include almost every type of wall

read free great lakes lighthouses 2013 calendar - Oct 21 2022

of ferocious great lakes storms taking their toll on vessels and people alike in this fully updated edition of wisconsin lighthouses ken and barb wardius tell those tales taking readers on

historic lighthouse in istanbul reopened after works hürriyet - Mar 14 2022

82003614 1 added to nrhp june 2 1982 the grand lake st marys lighthouse also known as the northwoods lighthouse is a historic lighthouse on grand lake st marys a

art forms in nature dover pictorial archive amazon com - May 12 2023

web jun 1 1974 art forms in nature the prints of ernst haeckel 25 00 818 in stock ernst heinrich haeckel 1834 1919 was renowned as one of the foremost early exponents of darwinism

art forms of nature by ernst haeckl archive org - Jun 01 2022

web nov 2 2012 art forms of nature by ernst haeckl marine life drawn by professor ernst haeckl a 19th century evolutionary scientist and marine biologist

nature in art google arts culture - Nov 06 2022

web the theme of nature in art has almost always been present whether in american art korean art or art from any other culture sometimes its depiction can be literal or even abstract

art forms in nature by ernst haeckel youtube - Aug 03 2022

web oct 22 2021 unboxing of the vault editions release of art forms in nature each book comes with a link to high resolution files of all images features it can be purchased via geni us afin vault

natural forms artists to use in the art classroom the arty - Dec 07 2022

web jun 5 2021 natural forms is a favourite topic for art teachers to pursue the flowing lines within a natural form are often more forgiving than a manmade object this blog post showcases a range of natural forms artists

art forms in nature ernst haeckel google books - Jan 08 2023

web aug 2 2012 the kunstformen contains 100 beautiful lithographic plates which show a multitude of unusual life forms radiolaria foraminifera and other forms of microscopic life jellyfishes starfishes

pdf art forms in nature geraldine diem academia edu - Jul 14 2023

web art forms of nature the 100 plate collection of illustrations ernst haeckel created to form kunstformen der natur art forms of nature includes many of his famous illustrations still used in science classes and within discussions of evolution

art forms in nature nature - Apr 11 2023

web art forms in nature theodore a cook nature 114 52 1924 cite this article 806 accesses metrics abstract permit me to thank mr edward heron allen for the very generous reference to my

[art forms in nature art blart](#) - Feb 26 2022

web blossfeldt became famous for his book urformen der kunst art forms in nature 1928 another volume wundergarten der natur magic garden of nature a sequel to art forms in nature was published in 1932 the photographs here on display are a

small selection from a collection of 6 000 pictures whose clarity rich contrast and acutance

art forms in nature 98 1928 karl blossfeldt wikiart org - Jan 28 2022

web art forms in nature 98 was created in 1928 by karl blossfeldt in documentary photography style find more prominent pieces of photo at wikiart org best visual art database

art forms in nature radiolaria from haeckel and blaschka to 3d - Mar 10 2023

web mar 13 2019 the illustrations of the late nineteenth twentieth century scientist artist ernst haeckel as depicted in his book art forms in nature originally in german as kunstformen der natur 1898 1904 have been at the intersection of

art forms in nature e kitap ernst haeckel pdf d r - Feb 09 2023

web the kunstformen contains 100 beautiful lithographic plates which show a multitude of unusual life forms radiolaria foraminifera and other forms of microscopic life jellyfishes starfishes calcareous sponges star corals barnacles and other sea life mosses lichens red algae ferns fungi orchids and other plants and turtles moths s

art forms in nature prints of ernst haeckel paperback - Mar 30 2022

web the geometric shapes and natural forms captured with exceptional precision in ernst haeckel s prints still influence artists and designers to this day this volume highlights the research and findings of this natural scientist

art forms in nature kunst formen der natur ernst - Jul 02 2022

web art forms in nature kunst formen der natur ernst haeckel 100 plates original 300 dpi scans by ernst haeckel

kunstformen der natur wikipedia - Aug 15 2023

web kunstformen der natur known in english as art forms in nature is a book of lithographic and halftone prints by german biologist ernst haeckel publication edit originally published in sets of ten between 1899 and 1904 and collectively in two volumes in 1904 2 it consists of 100 prints of various organisms many of which were first

art forms in nature penguin random house - Apr 30 2022

web the geometric shapes and natural forms captured with exceptional precision in ernst haeckel s prints still influence artists and designers to this day this volume highlights the research and findings of this natural scientist

art forms in nature picture archives dover pictorial archive - Sep 04 2022

web art forms in nature picture archives dover pictorial archive kağıt kapak 1 ocak 1974 İngilizce baskı ernst heinrich philipp august haeckel eser sahibi 241 değerlendirme tüm biçimleri ve sürümleri görün ciltsiz 209 99 tl 4 yeni başlangıç fiyatı 187 74 tl 6 aya varan taksit seçenekleri taksitler bu ürünün daha yeni bir sürümü mevcut

art forms in nature 100 1928 karl blossfeldt wikiart org - Dec 27 2021

web art forms in nature 100 was created in 1928 by karl blossfeldt in documentary photography style find more prominent pieces of photo at wikiart org best visual art database

art forms in nature marine species from ernst haeckel - Jun 13 2023

web art forms in nature marine species from ernst haeckel ernst haeckel kunstformen der natur biodiversity heritage library by grace costantino today s discoveries about our planet s biological diversity build upon the research of previous generations of scientists

art forms in nature by ernst haeckel downloadable files - Oct 05 2022

web originally published in sets of 10 between 1899 and 1904 kunstformen der natur known in english as art forms in nature by ernst haeckel consists of 100 masterfully executed prints of microorganisms animals insects and more