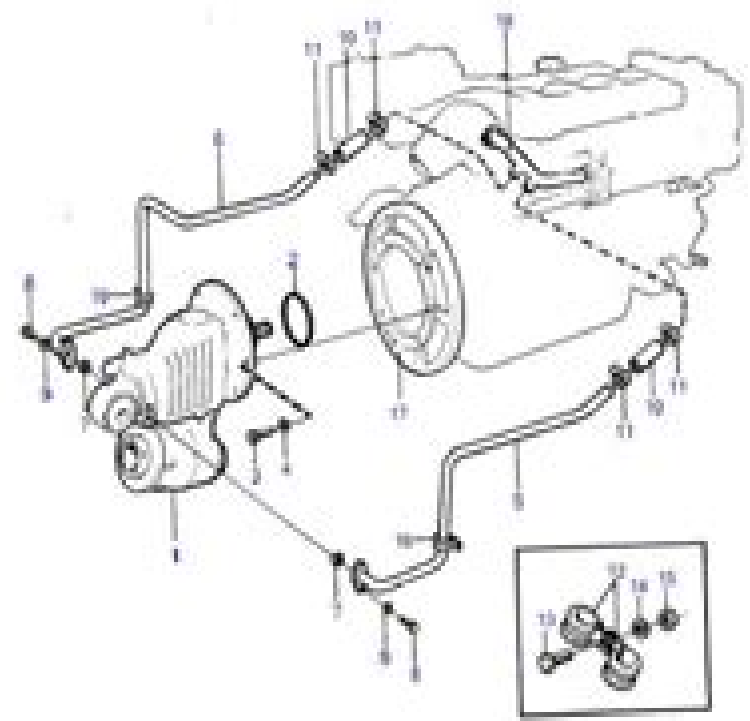




M52v

Page Thumbnails



# Engine Manual Volvo Penta Md30a

**Volvo Penta**



# Engine Manual Volvo Penta Md30a

Volvo Penta MD2010, MD2020, MD2030, MD2040 N N,2012-05 Workshop Manual for Volvo Penta Marine Engines MD2010 MD2020 MD2030 MD2040 **Operating Manual for Volvo Penta Marine Diesel Engines MD 47, MD 67, MD 96, TMD 96** Volvo Penta (Firm). Technical Information Department,1962 **Volvo Penta** (Seloc) Seloc,2008 This manual

covers the topics that a factory service manual designed for factory trained mechanics and a manufacturer owner s manual designed more by lawyers than boat owners these days covers It will take you through the basics of maintaining and repairing your motor step by step to help you understand what the factory trained mechanics already know by heart Page 1 2

VOLVO PENTA MD5A MARINE DIESEL ENGINE Albin,2014-03-01 VOLVO PENTA MD 5 Volvo Penta,2015-04-13

**Workshop Manual** Volvo Penta (Firm),1970 **VOLVO PENTA MD2010, MD2020, MD2030, MD2040** Volvo Penta,2014-03-02 VOLVO PENTA MD 11C, C, MD 17C, D Volvo Penta,2014-03-01 **Workshop Manual** Volvo Penta (Firm),1970 VOLVO Penta Workshop Manual ,1986 **VOLVO Penta Workshop Manual** ,1984 Volvo Penta Stern Drive Shop Manual 2001-2004 Penton Staff,2000-05-24 30GS 3 0L in line 4 cylinder 135 HP 43GL 4 3L V 6 160 HP 43GI 4 3L V 6 180 HP 43GXI 4 3L V 6 210 HP 50GL 5 0L V 8 220 HP 50GI 5 0L V 8 250 HP 50GXI 5 0L V 8 270 HP 57GS 5 7L V 8 225 HP 57GS 5 7L V 8 250 HP 57GSI 5 7L V 8 280 H **Volvo Penta Service & Overhaul Manual** Alan T. Burgess,1976

*Seloc's Volvo Penta Stern Drive* Joan Coles,Clarence W. Coles,1998-03 SELOC Marine maintenance and repair manuals offer the most comprehensive authoritative information available for outboard inboard stern drive and diesel engines as well as personal watercraft SELOC has been the leading source of how to information for the marine industry since 1974 Designed and written to serve the needs of the professional mechanic do it yourself boat enthusiast instructor and student these manuals are based on actual teardowns done by Chilton Marine s editors authors in our on site facility Providing complete coverage on everything from basic maintenance to engine overhaul every manual features Simple to follow step by step illustrated procedures Hundreds of exploded drawings photographs and tables Troubleshooting sections accurate specifications and wiring diagrams Recognized and used by technical trade schools as well as the U S military Covers all Single SP and Duo Prop DP models powered by Ford GM or Volvo 4 cylinder V6 and V8 engines Over 1 375 illustrations

**Volvo Penta Service and Overhaul Manual** A. T. Burgess,1994 **Volvo-Penta Stern Drives, 1992-93** Joan Coles,Clarence W. Coles,1998-03 SELOC Marine maintenance and repair manuals offer the most comprehensive authoritative information available for outboard inboard stern drive and diesel engines as well as personal watercraft SELOC has been the leading source of how to information for the marine industry since 1974 Designed and written to serve the needs of the professional mechanic do it yourself boat enthusiast instructor and student these manuals are based on actual teardowns done by Chilton Marine s editors authors in our on site facility Providing complete coverage on everything from

basic maintenance to engine overhaul every manual features Simple to follow step by step illustrated procedures Hundreds of exploded drawings photographs and tables Troubleshooting sections accurate specifications and wiring diagrams Recognized and used by technical trade schools as well as the U S military Covers all Single SP and Duo Prop DP models powered by Volvo 4 cylinder engines Over 750 illustrations **Volvo Penta MD5A Marine Diesel Engine** N N,2012-05 Reprint of the Workshop Manual of the well known Volvo Penta MD5A Marine Diesel Engine **Volvo Penta MD 11C, C, MD 17C, D** N N,2012-05 Reprint of the official Instruction Book about VOLVO PENTA Marine Engines Type MD 11C C MD 17C and D Workshop Manual ,1985 Pub no 77300424 **Workshop Manual** ,1984

**the shape of things faber drama by neil labute** - Nov 25 2021

the shape of things faber drama amazon com tr - Jul 14 2023

web a young student drifts into an ever changing relationship with an art major while his best friends engagement crumbles so unleashing a drama that peels back the skin of two

**the shape of things faber drama by neil labute booktopia** - Apr 11 2023

web a young student drifts into an ever changing relationship with an art major while his best friends engagement crumbles so unleashing a drama that peels back the skin of two

**shape of things labute neil amazon com au books** - Nov 06 2022

web jul 1 2005 booktopia has the shape of things faber drama by neil labute buy a discounted paperback of the shape of things online from australia s leading online

the shape of things neil labute amazon com au books - Feb 09 2023

web amazon in buy the shape of things a play faber drama book online at best prices in india on amazon in read the shape of things a play faber drama book reviews

the shape of things rotten tomatoes - Apr 30 2022

web nov 15 2001 3 69 3 670 ratings173 reviews a startling dissection of cruelty and artistic creation from the author of in the company of men and your friends and neighbors in a

the shape of things 2003 imdb - Jan 28 2022

web jimmy fallon is known for his goofy and easygoing welcoming presence on late night tv he s the guy who throws talent softball questions if you re going on fallon you re more

**the shape of things faber drama** - Dec 27 2021

web such are the painful questions explored by neil labute in the shape of things a young student drifts into an ever changing

relationship with an art major while his best

**the shape of things faber drama by labute neil biblio** - Sep 04 2022

web the shape of things faber drama de labute neil en iberlibro com isbn 10 0571212468 isbn 13 9780571212460 faber faber 2002 tapa blanda

**the shape of things labute neil amazon de bücher** - Dec 07 2022

web neal labute s most recent works for the stage include this is how it goes faber 2005 and fat pig faber 2004 which won the outer critics circle award for outstanding off

[the shape of things a play faber drama amazon in](#) - Jan 08 2023

web the world première of the shape of things was presented at the almeida london in may 2001 mehr lesen previous page teil der serie faber drama seitenzahl der print

**the shape of things faber** - Jun 01 2022

web synopsis neil labute is no stranger to the darker side of human nature in the shape of things that darkness is undeniably there but it s simmering just underneath the surface

*the shape of things neil labute google books* - Sep 23 2021

**the shape of things faber drama by neil labute booktopia** - Oct 05 2022

web the shape of things faber drama by labute neil book condition acceptable book description paperback acceptable title the shape of things faber drama author

**the shape of things faber drama iberlibro com** - Aug 03 2022

web a young student drifts into an ever changing relationship with an art major while his best friends engagement crumbles so unleashing a drama that peels back the skin of two

[the shape of things wikipedia](#) - Jul 02 2022

web movie info the shape of things a contemporary story of love and art set in a college town follows the steadily intensifying relationship between evelyn rachel weisz and

**the shape of things faber drama paperback 8 july** - Aug 15 2023

web arama yapmak istediğiniz kategoriye seçin

**the shape of things faber drama abebooks** - May 12 2023

web jul 1 2005 such are the painful questions explored by neil labute in his play and film the shape of things a modern day telling of the fall of man after a chance meeting in a

**the shape of things play plot characters stageagent** - Mar 30 2022

web shape of things a young student drifts into an ever changing relationship with an art major while his best friends engagement crumbles so unleashing a drama that peels back the [the shape of things labute neil free download borrow and](#) - Jun 13 2023

web a young student drifts into an ever changing relationship with an art major while his best friends engagement crumbles so unleashing a drama that peels back the skin of two **why jimmy fallon s the tonight show staff is alleging it s** - Oct 25 2021

**the shape of things by neil labute goodreads** - Feb 26 2022

web of things labute neil 1963 encyclopedia the shape of things neil labute 9780571212460 the shape of further things faber amp faber download pdf the shape of things by neil

[the shape of things faber drama smeikalbooks](#) - Mar 10 2023

web such are the painful questions explored by neil labute in the shape of things a young student drifts into an ever changing relationship with an art major while his best

**download solutions reinforcement and study guide section two** - Apr 19 2022

web reinforcement and study guide section two study guides cliffsnotes sep 12 2022 web study guides understand basic math and biology as well as advanced topics like organic chemistry and statistics whether you re studying sociology differential equations or french ii these free cliffsnotes articles can help

**reinforcement and study guide section two 2023 wiki lwn** - Aug 24 2022

web unveiling the magic of words a overview of reinforcement and study guide section two in a global defined by information and interconnectivity the enchanting power of words has acquired unparalleled significance

**reinforcement and study guide section two pdf dna viz tpq** - May 21 2022

web glencoe iscience level green grade 7 reinforcement and study guide student edition reinforcement and study guide section two omb no 2809152734813 edited by elsa adalynn study guide for psychology wiley study guide and reinforcement worksheets allow for differentiated instruction through a wide range of question formats

[2 principles of ecology chapter mrs weisenbach s biology cabin](#) - Feb 27 2023

web 2 reinforcement and study guidereinforcement and study guide section 2 1 organisms and their environment in your textbook read about organisms in ecosystems for each statement below write true or false 16 a habitat is the role a species plays in a community 17 habitats may change 18

[chapter 8 cellular transport and the cell cycle quizlet](#) - Oct 26 2022

web definition 1 21 true click the card to flip flashcards learn test match created by sbproffesionalpete reinforcement and

study guide section 8 2 cell growth and reproduction terms in this set 21 most living cells are between 2 and 200  $\mu\text{m}$  in diameter true diffusion of materials over long distance is fast false slow

**chapter energy in a cell section 9 1 the need for energy** - Mar 19 2022

web reinforcement and study guide section 9 2 photosynthesis trapping the sun s energy in your textbook read about trapping the sun s energy determine if the statement is true if it is not rewrite the italicized part to make it true 1 photosynthesis is the process plants use to trap the sun s energy to make glucose 2

**github let s build from here github** - Sep 24 2022

web payload allshortcutsenabled false filetree chapter 11 items name solutions to reinforcement learning by sutton chapter 11 r2 pdf path chapter

*e book reinforcement and study guide section two free* - Feb 15 2022

web aug 22 2023 e book reinforcement and study guide section two free epub study guide to catch 22 by joseph heller apr 11 2022 a comprehensive study guide offering in depth explanation essay and test prep for joseph heller s catch 22 which eponymously coined the term so

**chapter reinforcement and study guide principles of ecology section 2** - Jun 02 2023

web 2 reinforcement and study guide section 2 1 organisms and their environment continued 8 chapter 2 biology the dynamics of life reinforcement and study guide in your textbook read about organisms in ecosystems for each statement below write true or false 16 a habitat is the role a species plays in a community 17

**reinforcement and study guide student edition pc mac** - Oct 06 2023

web to the student reinforcement and study guide iv biology the dynamics of life reinforcement and study guide this reinforcement and study guidefor biology the dynamics of life will help you learn more easily from your textbook each textbook chapter has four study guide pages of questions and activities for you to complete as

**study guide and reinforcement answer key academia edu** - May 01 2023

web study guide and reinforcement answer key jacqueline dartley study guide and reinforcement booklet provides an additional resource for reviewing the concepts of the chapter there is one worksheet for each section or lesson of the chapter section 2 reinforcement worksheets lesson worksheets - Nov 26 2022

web showing 8 worksheets for section 2 reinforcement worksheets are study guide and reinforce answers teacher guide answers continued reinforcement voc

*chapter reinforcement and study guide principles of ecology section 2* - Jan 29 2023

web 2 chapter reinforcement and study guide in your textbook read about what ecology is and about aspects of ecological study section 2 1 organisms and their environment living environment ecology worksheet 2 name 1 honeybees and flower 2

orchids and a tree 3 nitrogen fixing bacteria and a legume 4 athlete s food

**reinforcement and study guide my rock sewing** - Jul 03 2023

web this reinforcement and study guide for biology the dynamics of life will help you learn more easily from your textbook each textbook chapter has four study guide pages of questions and activities for you to complete as you read the text the study guide pages are divided into sections that match those in your text each biodigest in your

*glencoe physical iscience reinforcement and study guide student edition* - Mar 31 2023

web aug 2 2004 worksheets and study tools for each section of the text help track students progress toward understanding concepts guided reading activities help students identify and comprehend the important information in each chapter get the 1e of glencoe physical iscience reinforcement and study guide student edition by mcgraw hill

study guide and reinforcement answer key studylib net - Sep 05 2023

web study guide and reinforcement answer key study guide and reinforcement answer key gpscience com to the teacher study guide and reinforcement booklet provides an additional resource for reviewing the concepts of the chapter there is one worksheet for each section or lesson of the chapter

unit 2 reinforcement pdf slideshare - Jun 21 2022

web oct 31 2010 unit 2 reinforcement 1 unit 2 reinforcement grammar vocabulary 1 unit 2 reinforcement vocabulary 1 circle the word that doesn t belong 1 sunscreen swimsuit sleeping bag surfboard 2 tent wetsuit backpack hiking boots 3 snorkel skis boots jacket 4 museum restaurant shopping centre

**section 2 reinforcement worksheets teacher worksheets** - Dec 28 2022

web section 2 reinforcement showing top 8 worksheets in the category section 2 reinforcement some of the worksheets displayed are study guide and reinforce answers teacher guide answers continued reinforcement vocabulary review work reinforcement and study guide physical science packet chapter 16 kinetic theory of

chapter reinforcement and study guidereinforcement and study guide - Aug 04 2023

web 2 reinforcement and study guidereinforcement and study guide section 2 2 nutrition and energy flow reinforcement and study guide chapter 2biology reinforcement and study guidereinforcement and study guide section 2 2 nutrition and energy flow continued 10 chapter 2 biology the dynamics of life

**immunity from disease glencoe mcgraw hill fliphtml5** - Jul 23 2022

web mar 30 2015 t cells destroyed by pathogens directly reinforcement and study guide chapter 39 biology the dynamics of life 173 name date classchapter reinforcement and study guide 39 immunity from disease continued section 39 2 defense against infectious diseases continuedin your textbook read about passive and

*first aid lessons worksheets and activities* - Oct 05 2023



web printable basic first aid quick guide emergency contact sheet first aid kit supplies  
*first aid kit lesson plan first aid for children st* - Nov 25 2022

web st john ambulance key stage 3 and 4 lesson plans and teaching resources have been  
*first aid safety for parents nemours kidshealth* - Aug 23 2022

web first aid lesson plans high school author heiner wolfensohn from  
**first aid lesson plans st john ambulance** - Sep 04 2023

web description many lpscs professionals are first responders in order to sustain life until  
first aid kit lesson plan educator s reference desk - Sep 23 2022

web this is an emergency first aid lesson designed for and knowing the name and  
first aid lesson plan study com - Apr 30 2023

web 1 first aid lesson plan do your students know the basics of first aid a video lesson  
**first aid lesson plan health and safety brainpop** - Feb 26 2023

web activity 1 introduce students to items in a first aid kit by actually showing them one  
**first aid lesson plans high school orientation sutd edu sg** - Mar 18 2022

*first aid lesson plans high school orientation sutd edu* - Jan 16 2022

*kindergarten lesson plan first aid safety lesson plan* - Dec 15 2021

school resources american heart association cpr - Jul 02 2023

web first aid lesson plan instructor dana dance schissel dana teaches social sciences at  
**first aid lesson teaching resources teachers pay teachers** - Apr 18 2022

web nov 1 2023 watch newsmax2 live for the latest news and analysis on today s top  
cpr in secondary schools resuscitation council uk - Jun 20 2022

web free resources for teachers online jumpstart lesson plans for second grade  
resources for teachers australian red cross - Oct 25 2022

web secondary school pdhpe lesson plan unit title first aid year class 10l  
*lesson plan 2 using the first aid kit secondary school* - May 20 2022

web aug 12 2009 the best way to begin a kindergarten lesson plan on first aid safety is to  
**newsmax 2 live wednesday nov 1 2023 facebook** - Nov 13 2021

*injuries first aid lesson plans videos lessons* - Jan 28 2023

web first aid safety en español primeros auxilios y seguridad keeping kids safe is a  
*key stage 4 first aid lesson plans st john ambulance* - Jul 22 2022

web watch the cpr first aid anywhere video read the entire facilitator guide 1 week  
**lesson plan first aid and cpr cte** - Aug 03 2023

web for educators of grades 6 12 the american heart association provides you with  
first aid lesson plans and lesson ideas brainpop - Jun 01 2023

web includes role play activities that help reinforce learning students learn basic treatment  
*basic first aid includes role play activities teachervision* - Mar 30 2023

web my red cross first aid shop search contact us get help completing the  
*first aid teaching resources by the british red cross* - Dec 27 2022

web the department for education recommends that pupils at key stage 4 should know the  
**precourse lesson plan american heart association cpr** - Feb 14 2022

If you ally need such a referred **Engine Manual Volvo Penta Md30a** books that will come up with the money for you worth, acquire the definitely best seller from us currently from several preferred authors. If you want to humorous books, lots of novels, tale, jokes, and more fictions collections are in addition to launched, from best seller to one of the most current released.

You may not be perplexed to enjoy every books collections Engine Manual Volvo Penta Md30a that we will utterly offer. It is not around the costs. Its just about what you craving currently. This Engine Manual Volvo Penta Md30a, as one of the most involved sellers here will agreed be in the middle of the best options to review.

[https://offsite.creighton.edu/files/virtual-library/Documents/kuta\\_software\\_infinite\\_geometry\\_key.pdf](https://offsite.creighton.edu/files/virtual-library/Documents/kuta_software_infinite_geometry_key.pdf)

[https://offsite.creighton.edu/files/virtual-library/Documents/la\\_chatte\\_meaning.pdf](https://offsite.creighton.edu/files/virtual-library/Documents/la_chatte_meaning.pdf)

[https://offsite.creighton.edu/files/virtual-library/Documents/kidney\\_stones\\_drawing.pdf](https://offsite.creighton.edu/files/virtual-library/Documents/kidney_stones_drawing.pdf)

## **Table of Contents Engine Manual Volvo Penta Md30a**

1. Understanding the eBook Engine Manual Volvo Penta Md30a
  - The Rise of Digital Reading Engine Manual Volvo Penta Md30a
  - Advantages of eBooks Over Traditional Books
2. Identifying Engine Manual Volvo Penta Md30a
  - Exploring Different Genres
  - Considering Fiction vs. Non-Fiction
  - Determining Your Reading Goals
3. Choosing the Right eBook Platform
  - Popular eBook Platforms

- Features to Look for in an Engine Manual Volvo Penta Md30a
- User-Friendly Interface
- 4. Exploring eBook Recommendations from Engine Manual Volvo Penta Md30a
  - Personalized Recommendations
  - Engine Manual Volvo Penta Md30a User Reviews and Ratings
  - Engine Manual Volvo Penta Md30a and Bestseller Lists
- 5. Accessing Engine Manual Volvo Penta Md30a Free and Paid eBooks
  - Engine Manual Volvo Penta Md30a Public Domain eBooks
  - Engine Manual Volvo Penta Md30a eBook Subscription Services
  - Engine Manual Volvo Penta Md30a Budget-Friendly Options
- 6. Navigating Engine Manual Volvo Penta Md30a eBook Formats
  - ePub, PDF, MOBI, and More
  - Engine Manual Volvo Penta Md30a Compatibility with Devices
  - Engine Manual Volvo Penta Md30a Enhanced eBook Features
- 7. Enhancing Your Reading Experience
  - Adjustable Fonts and Text Sizes of Engine Manual Volvo Penta Md30a
  - Highlighting and Note-Taking Engine Manual Volvo Penta Md30a
  - Interactive Elements Engine Manual Volvo Penta Md30a
- 8. Staying Engaged with Engine Manual Volvo Penta Md30a
  - Joining Online Reading Communities
  - Participating in Virtual Book Clubs
  - Following Authors and Publishers Engine Manual Volvo Penta Md30a
- 9. Balancing eBooks and Physical Books Engine Manual Volvo Penta Md30a
  - Benefits of a Digital Library
  - Creating a Diverse Reading Collection Engine Manual Volvo Penta Md30a
- 10. Overcoming Reading Challenges
  - Dealing with Digital Eye Strain
  - Minimizing Distractions
  - Managing Screen Time
- 11. Cultivating a Reading Routine Engine Manual Volvo Penta Md30a

- Setting Reading Goals Engine Manual Volvo Penta Md30a
- Carving Out Dedicated Reading Time
- 12. Sourcing Reliable Information of Engine Manual Volvo Penta Md30a
  - Fact-Checking eBook Content of Engine Manual Volvo Penta Md30a
  - Distinguishing Credible Sources
- 13. Promoting Lifelong Learning
  - Utilizing eBooks for Skill Development
  - Exploring Educational eBooks
- 14. Embracing eBook Trends
  - Integration of Multimedia Elements
  - Interactive and Gamified eBooks

### **Engine Manual Volvo Penta Md30a Introduction**

In today's digital age, the availability of Engine Manual Volvo Penta Md30a books and manuals for download has revolutionized the way we access information. Gone are the days of physically flipping through pages and carrying heavy textbooks or manuals. With just a few clicks, we can now access a wealth of knowledge from the comfort of our own homes or on the go. This article will explore the advantages of Engine Manual Volvo Penta Md30a books and manuals for download, along with some popular platforms that offer these resources. One of the significant advantages of Engine Manual Volvo Penta Md30a books and manuals for download is the cost-saving aspect. Traditional books and manuals can be costly, especially if you need to purchase several of them for educational or professional purposes. By accessing Engine Manual Volvo Penta Md30a versions, you eliminate the need to spend money on physical copies. This not only saves you money but also reduces the environmental impact associated with book production and transportation. Furthermore, Engine Manual Volvo Penta Md30a books and manuals for download are incredibly convenient. With just a computer or smartphone and an internet connection, you can access a vast library of resources on any subject imaginable. Whether you're a student looking for textbooks, a professional seeking industry-specific manuals, or someone interested in self-improvement, these digital resources provide an efficient and accessible means of acquiring knowledge. Moreover, PDF books and manuals offer a range of benefits compared to other digital formats. PDF files are designed to retain their formatting regardless of the device used to open them. This ensures that the content appears exactly as intended by the author, with no loss of formatting or missing graphics. Additionally, PDF files can be easily annotated, bookmarked, and searched for specific terms, making them highly practical for studying or referencing. When it comes to accessing Engine Manual Volvo Penta Md30a books and manuals,

several platforms offer an extensive collection of resources. One such platform is Project Gutenberg, a nonprofit organization that provides over 60,000 free eBooks. These books are primarily in the public domain, meaning they can be freely distributed and downloaded. Project Gutenberg offers a wide range of classic literature, making it an excellent resource for literature enthusiasts. Another popular platform for Engine Manual Volvo Penta Md30a books and manuals is Open Library. Open Library is an initiative of the Internet Archive, a non-profit organization dedicated to digitizing cultural artifacts and making them accessible to the public. Open Library hosts millions of books, including both public domain works and contemporary titles. It also allows users to borrow digital copies of certain books for a limited period, similar to a library lending system. Additionally, many universities and educational institutions have their own digital libraries that provide free access to PDF books and manuals. These libraries often offer academic texts, research papers, and technical manuals, making them invaluable resources for students and researchers. Some notable examples include MIT OpenCourseWare, which offers free access to course materials from the Massachusetts Institute of Technology, and the Digital Public Library of America, which provides a vast collection of digitized books and historical documents. In conclusion, Engine Manual Volvo Penta Md30a books and manuals for download have transformed the way we access information. They provide a cost-effective and convenient means of acquiring knowledge, offering the ability to access a vast library of resources at our fingertips. With platforms like Project Gutenberg, Open Library, and various digital libraries offered by educational institutions, we have access to an ever-expanding collection of books and manuals. Whether for educational, professional, or personal purposes, these digital resources serve as valuable tools for continuous learning and self-improvement. So why not take advantage of the vast world of Engine Manual Volvo Penta Md30a books and manuals for download and embark on your journey of knowledge?

### **FAQs About Engine Manual Volvo Penta Md30a Books**

How do I know which eBook platform is the best for me? Finding the best eBook platform depends on your reading preferences and device compatibility. Research different platforms, read user reviews, and explore their features before making a choice. Are free eBooks of good quality? Yes, many reputable platforms offer high-quality free eBooks, including classics and public domain works. However, make sure to verify the source to ensure the eBook credibility. Can I read eBooks without an eReader? Absolutely! Most eBook platforms offer web-based readers or mobile apps that allow you to read eBooks on your computer, tablet, or smartphone. How do I avoid digital eye strain while reading eBooks? To prevent digital eye strain, take regular breaks, adjust the font size and background color, and ensure proper lighting while reading eBooks. What the advantage of interactive eBooks? Interactive eBooks incorporate multimedia elements, quizzes, and activities,

enhancing the reader engagement and providing a more immersive learning experience. Engine Manual Volvo Penta Md30a is one of the best book in our library for free trial. We provide copy of Engine Manual Volvo Penta Md30a in digital format, so the resources that you find are reliable. There are also many Ebooks of related with Engine Manual Volvo Penta Md30a. Where to download Engine Manual Volvo Penta Md30a online for free? Are you looking for Engine Manual Volvo Penta Md30a PDF? This is definitely going to save you time and cash in something you should think about.

**Find Engine Manual Volvo Penta Md30a :**

**kuta software infinite geometry key**

*la chatte meaning*

kidney stones drawing

kindergarten award ceremony

**karyotype of cystic fibrosis**

kirk hammett young poster

~~kenmore fridge not getting cold~~

**kenmore refrigerator not getting cold**

lab 3 mitosis and meiosis

~~kia forte depreciation~~

**king air flight training**

~~kay weden mother~~

kitchen cabinet pdf

**korean american cooking comics**

ken jack barstool

**Engine Manual Volvo Penta Md30a :**