

GENERAL DIMENSIONS (Fig. 1)

- A.** Overall Height (over Steering Wheel): 1486 mm (58.5 in)
A₁ Overall Height (over Exhaust): 2165 mm (85.2 in)
B. Overall Width: 1851 mm (72.9 in)
C. Overall Length: 3213 mm (126.5 in)
D. Wheelbase (without Spacer): 1892 mm (74.5 in)

Ground Clearance:

- E.** Under Weight Frame (with Weights): 0-305 mm (12 in)
F. Ground Clearance (under Clutch Housing): 0-33 mm (1.3 in)

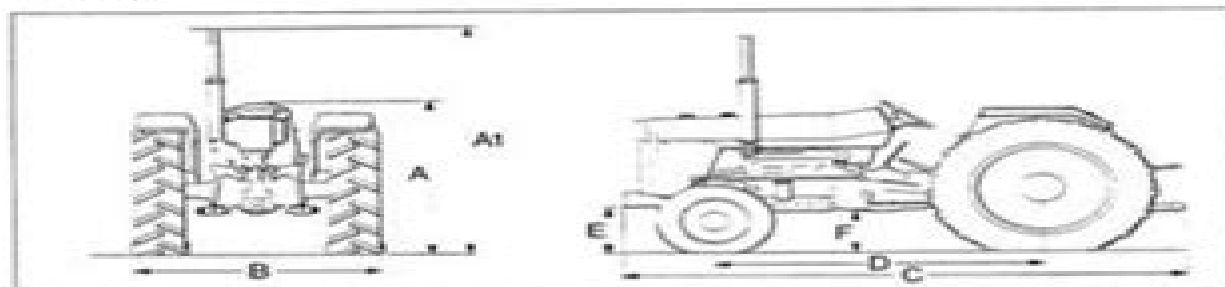
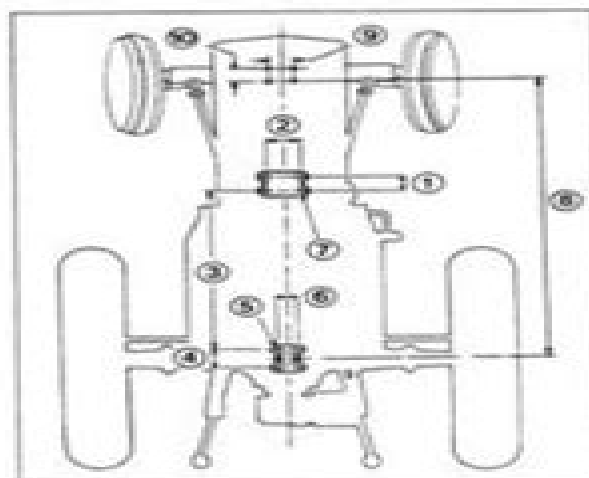
Turning Circle: 6,425 m (21-1 ft) Without Brakes;
 5,857 m (19-25 ft) With Brakes

Weight (with fuel, oil and water): 1650 kg (3642 lb)

Note: The above dimensions are for a tractor fitted with 6-00-16 front tyres and 11-28 rear tyres at 1321 mm (52 in) and 1420 mm (56 in) track settings respectively.

MOUNTING POINTS (Fig. 2)

1. 101.6 mm (4 in)
2. 184 mm (7 1/4 in)
3. 1016 mm (40 1/4 in)
4. 152.4 mm (6 in)
5. 4 holes tap 7/8 in 10 UNC 30 x 28.8 mm (1 1/4 in) deep (blind)
6. 85.7 mm (3 3/8 in)
7. 8 holes tap 7/8 in 11 UNC
8. 1831 mm (72 1/4 in)
9. 152.4 mm (6 in)
10. 114.3 mm (4 1/2 in)

**FIG. 1****FIG. 2**

Massey Ferguson Tractors 240 Repair Manual

Intertec Publishing Corporation



Massey Ferguson Tractors 240 Repair Manual
Massey Ferguson Shop Manual Models MF230 MF 235 MF240 + Penton Staff,2000-05-24 Gas Models MF230 MF235 MF245 Diesel Models MF230 MF235 MF240 MF245 MF250
Massey Ferguson 35 Tractor Chris Jaworski,2020-03-17 Learn everything you need to know about the Ferguson MF 35 and TO35 With step by step instructions for weekly checks operator maintenance engines cooling and fuel systems transmissions brakes hydraulics and so much more this user friendly restoration service manual details a wide range of topics so you can understand your tractor machinery from the inside out
Massey Ferguson Tractor ,2011
International 240 Tractor Technical Service Repair Shop Manual ,1959-01-15
<i>Massey-Ferguson Shop Manual No. MF-42</i> ,1988
Parts Book Massey-Ferguson (Aust.) Ltd.,1974
Workshop Manual for Massey-Ferguson Tractors, Models FE-65 and FE-35 Massey-Ferguson (Aust.) Ltd,1962
Massey-Ferguson Shop Manual Intertec Publishing Corporation,1993
Massey Ferguson Shop Manual Model MF285 Penton Staff,2000-05-24 Models MF285
Massey-Ferguson Shop Manual Models T035 T035 Diesel F40+ Editors of Haynes Manuals,1990-06-01 With a Haynes manual you can do it yourself from simple maintenance to basic repairs Haynes writes every book based on a complete teardown of the vehicle where we learn the best ways to do a job and that makes it quicker easier and cheaper for you Haynes books have clear instructions and hundreds of photographs that show each step Whether you are a beginner or a pro you can save big with a Haynes manual This manual features complete coverage for your Massey Ferguson tractor covering Routine maintenance Tune up procedures Engine repair Cooling and heating Air conditioning Fuel and exhaust Emissions control Ignition brakes Suspension and steering Electrical systems Models covered include Massey Ferguson F40 Massey Ferguson MF202 Massey Ferguson MF204 Massey Ferguson MF35 Massey Ferguson MF35 Diesel Massey Ferguson MF50 Massey Ferguson MH50 Massey Ferguson MHF202 Massey Ferguson TO35 Massey Ferguson TO35 Diesel
Massey-Ferguson Shop Manual ,1977
Massey-Ferguson Agricultural Tractors Workshop Service Manual Massey-Ferguson Ltd,197?
<i>Massey-Ferguson</i> ,1994
MF 1505 and MF 1805 Tractors Service Manual Massey Ferguson Co,1981
MF 1100 and 1130 Tractors Service Manual Massey Ferguson Co,1981
Massey Ferguson 404 TECHNICAL SERVICE REPAIR SHOP MANUAL ,1959-01-15
200 Series Tractors ,1992

Ferguson tractor service manual Massey-Harris-Ferguson,1955

Massey Ferguson Shop Manual Models MF670 MF690 & MF698 Penton Staff,2000-05-24 Models MF670 MF690 MF698

I & T Shop Service ,1993

Uncover the mysteries within Crafted by is enigmatic creation, **Massey Ferguson Tractors 240 Repair Manual** . This downloadable ebook, shrouded in suspense, is available in a PDF format (PDF Size: *). Dive into a world of uncertainty and anticipation. Download now to unravel the secrets hidden within the pages.

<https://offsite.creighton.edu/data/browse/HomePages/non%20cdl%20class%20c%20illinois.pdf>

https://offsite.creighton.edu/data/browse/HomePages/occupational_health_and_safety_pdf_notes.pdf

https://offsite.creighton.edu/data/browse/HomePages/Official_Lease_Termination_Letter.pdf

Table of Contents Massey Ferguson Tractors 240 Repair Manual

1. Understanding the eBook Massey Ferguson Tractors 240 Repair Manual
 - The Rise of Digital Reading Massey Ferguson Tractors 240 Repair Manual
 - Advantages of eBooks Over Traditional Books
2. Identifying Massey Ferguson Tractors 240 Repair Manual
 - Exploring Different Genres
 - Considering Fiction vs. Non-Fiction
 - Determining Your Reading Goals
3. Choosing the Right eBook Platform
 - Popular eBook Platforms
 - Features to Look for in an Massey Ferguson Tractors 240 Repair Manual
 - User-Friendly Interface
4. Exploring eBook Recommendations from Massey Ferguson Tractors 240 Repair Manual
 - Personalized Recommendations
 - Massey Ferguson Tractors 240 Repair Manual User Reviews and Ratings
 - Massey Ferguson Tractors 240 Repair Manual and Bestseller Lists
5. Accessing Massey Ferguson Tractors 240 Repair Manual Free and Paid eBooks
 - Massey Ferguson Tractors 240 Repair Manual Public Domain eBooks
 - Massey Ferguson Tractors 240 Repair Manual eBook Subscription Services
 - Massey Ferguson Tractors 240 Repair Manual Budget-Friendly Options
6. Navigating Massey Ferguson Tractors 240 Repair Manual eBook Formats

- ePub, PDF, MOBI, and More
 - Massey Ferguson Tractors 240 Repair Manual Compatibility with Devices
 - Massey Ferguson Tractors 240 Repair Manual Enhanced eBook Features
7. Enhancing Your Reading Experience
 - Adjustable Fonts and Text Sizes of Massey Ferguson Tractors 240 Repair Manual
 - Highlighting and Note-Taking Massey Ferguson Tractors 240 Repair Manual
 - Interactive Elements Massey Ferguson Tractors 240 Repair Manual
 8. Staying Engaged with Massey Ferguson Tractors 240 Repair Manual
 - Joining Online Reading Communities
 - Participating in Virtual Book Clubs
 - Following Authors and Publishers Massey Ferguson Tractors 240 Repair Manual
 9. Balancing eBooks and Physical Books Massey Ferguson Tractors 240 Repair Manual
 - Benefits of a Digital Library
 - Creating a Diverse Reading Collection Massey Ferguson Tractors 240 Repair Manual
 10. Overcoming Reading Challenges
 - Dealing with Digital Eye Strain
 - Minimizing Distractions
 - Managing Screen Time
 11. Cultivating a Reading Routine Massey Ferguson Tractors 240 Repair Manual
 - Setting Reading Goals Massey Ferguson Tractors 240 Repair Manual
 - Carving Out Dedicated Reading Time
 12. Sourcing Reliable Information of Massey Ferguson Tractors 240 Repair Manual
 - Fact-Checking eBook Content of Massey Ferguson Tractors 240 Repair Manual
 - Distinguishing Credible Sources
 13. Promoting Lifelong Learning
 - Utilizing eBooks for Skill Development
 - Exploring Educational eBooks
 14. Embracing eBook Trends
 - Integration of Multimedia Elements
 - Interactive and Gamified eBooks

Massey Ferguson Tractors 240 Repair Manual Introduction

In today's digital age, the availability of Massey Ferguson Tractors 240 Repair Manual books and manuals for download has revolutionized the way we access information. Gone are the days of physically flipping through pages and carrying heavy textbooks or manuals. With just a few clicks, we can now access a wealth of knowledge from the comfort of our own homes or on the go. This article will explore the advantages of Massey Ferguson Tractors 240 Repair Manual books and manuals for download, along with some popular platforms that offer these resources. One of the significant advantages of Massey Ferguson Tractors 240 Repair Manual books and manuals for download is the cost-saving aspect. Traditional books and manuals can be costly, especially if you need to purchase several of them for educational or professional purposes. By accessing Massey Ferguson Tractors 240 Repair Manual versions, you eliminate the need to spend money on physical copies. This not only saves you money but also reduces the environmental impact associated with book production and transportation. Furthermore, Massey Ferguson Tractors 240 Repair Manual books and manuals for download are incredibly convenient. With just a computer or smartphone and an internet connection, you can access a vast library of resources on any subject imaginable. Whether you're a student looking for textbooks, a professional seeking industry-specific manuals, or someone interested in self-improvement, these digital resources provide an efficient and accessible means of acquiring knowledge. Moreover, PDF books and manuals offer a range of benefits compared to other digital formats. PDF files are designed to retain their formatting regardless of the device used to open them. This ensures that the content appears exactly as intended by the author, with no loss of formatting or missing graphics. Additionally, PDF files can be easily annotated, bookmarked, and searched for specific terms, making them highly practical for studying or referencing. When it comes to accessing Massey Ferguson Tractors 240 Repair Manual books and manuals, several platforms offer an extensive collection of resources. One such platform is Project Gutenberg, a nonprofit organization that provides over 60,000 free eBooks. These books are primarily in the public domain, meaning they can be freely distributed and downloaded. Project Gutenberg offers a wide range of classic literature, making it an excellent resource for literature enthusiasts. Another popular platform for Massey Ferguson Tractors 240 Repair Manual books and manuals is Open Library. Open Library is an initiative of the Internet Archive, a non-profit organization dedicated to digitizing cultural artifacts and making them accessible to the public. Open Library hosts millions of books, including both public domain works and contemporary titles. It also allows users to borrow digital copies of certain books for a limited period, similar to a library lending system. Additionally, many universities and educational institutions have their own digital libraries that provide free access to PDF books and manuals. These libraries often offer academic texts, research papers, and technical manuals, making them invaluable resources for students and researchers. Some notable examples include MIT OpenCourseWare, which offers free access to course materials from the Massachusetts Institute of Technology, and the Digital Public Library of America, which provides a vast collection of

digitized books and historical documents. In conclusion, Massey Ferguson Tractors 240 Repair Manual books and manuals for download have transformed the way we access information. They provide a cost-effective and convenient means of acquiring knowledge, offering the ability to access a vast library of resources at our fingertips. With platforms like Project Gutenberg, Open Library, and various digital libraries offered by educational institutions, we have access to an ever-expanding collection of books and manuals. Whether for educational, professional, or personal purposes, these digital resources serve as valuable tools for continuous learning and self-improvement. So why not take advantage of the vast world of Massey Ferguson Tractors 240 Repair Manual books and manuals for download and embark on your journey of knowledge?

FAQs About Massey Ferguson Tractors 240 Repair Manual Books

1. Where can I buy Massey Ferguson Tractors 240 Repair Manual books? Bookstores: Physical bookstores like Barnes & Noble, Waterstones, and independent local stores. Online Retailers: Amazon, Book Depository, and various online bookstores offer a wide range of books in physical and digital formats.
2. What are the different book formats available? Hardcover: Sturdy and durable, usually more expensive. Paperback: Cheaper, lighter, and more portable than hardcovers. E-books: Digital books available for e-readers like Kindle or software like Apple Books, Kindle, and Google Play Books.
3. How do I choose a Massey Ferguson Tractors 240 Repair Manual book to read? Genres: Consider the genre you enjoy (fiction, non-fiction, mystery, sci-fi, etc.). Recommendations: Ask friends, join book clubs, or explore online reviews and recommendations. Author: If you like a particular author, you might enjoy more of their work.
4. How do I take care of Massey Ferguson Tractors 240 Repair Manual books? Storage: Keep them away from direct sunlight and in a dry environment. Handling: Avoid folding pages, use bookmarks, and handle them with clean hands. Cleaning: Gently dust the covers and pages occasionally.
5. Can I borrow books without buying them? Public Libraries: Local libraries offer a wide range of books for borrowing. Book Swaps: Community book exchanges or online platforms where people exchange books.
6. How can I track my reading progress or manage my book collection? Book Tracking Apps: Goodreads, LibraryThing, and Book Catalogue are popular apps for tracking your reading progress and managing book collections. Spreadsheets: You can create your own spreadsheet to track books read, ratings, and other details.
7. What are Massey Ferguson Tractors 240 Repair Manual audiobooks, and where can I find them? Audiobooks: Audio

recordings of books, perfect for listening while commuting or multitasking. Platforms: Audible, LibriVox, and Google Play Books offer a wide selection of audiobooks.

8. How do I support authors or the book industry? Buy Books: Purchase books from authors or independent bookstores. Reviews: Leave reviews on platforms like Goodreads or Amazon. Promotion: Share your favorite books on social media or recommend them to friends.
9. Are there book clubs or reading communities I can join? Local Clubs: Check for local book clubs in libraries or community centers. Online Communities: Platforms like Goodreads have virtual book clubs and discussion groups.
10. Can I read Massey Ferguson Tractors 240 Repair Manual books for free? Public Domain Books: Many classic books are available for free as they're in the public domain. Free E-books: Some websites offer free e-books legally, like Project Gutenberg or Open Library.

Find Massey Ferguson Tractors 240 Repair Manual :

[non cdl class c illinois](#)

[*occupational health and safety pdf notes*](#)

[~~official lease termination letter~~](#)

[*office leave letter*](#)

[occult hand signs](#)

[novena our lady of miraculous medal](#)

ob gyn cpt codes

[nypd traffic enforcement](#)

[*nuwave cook times*](#)

nwea map scores chart 2022

nursing diagnosis down syndrome

[*occupational therapy skills*](#)

nystce cst multi subject

nursing diagnosis for arthritis

nursing theorist king

Massey Ferguson Tractors 240 Repair Manual :

ap physics b 2012 multiple choice answers full pdf - Mar 28 2023

web 2012 multiple choice answers it will not say yes many epoch as we accustom before you can attain it even though decree something else at home and even in your workplace suitably easy so are you question just exercise just what we give below as competently as review ap physics b 2012 multiple choice answers what you when to read ap

ap physics 2012 scoring guidelines college board - Sep 02 2023

web 1 point the acceleration the following are some common acceptable responses the pulley has an appreciable amount of friction in the bearings the string has an appreciable mass the pulley has an appreciable rotational inertia a

ap physics resources 2012 - Apr 28 2023

web dec 21 2012 today we shall discuss a few multiple choice practice questions involving doppler effect 1 the figure above shows a car sounding its horn and moving with uniform velocity along a straight road at time t_0 the car is at position a and at time t_1 the car moves past a stationary listener l at time t_2 the car is at position b

ap physics 1 algebra based past exam questions - Sep 21 2022

web ap physics 1 algebra based past exam questions ap central college board free response questions download free response questions from past exams along with scoring guidelines sample responses from exam takers and scoring distributions

ap physics b 2012 multiple choice answers store1 - Jun 18 2022

web 5 steps to a 5 ap physics b c 2012 2013 edition multi fractal traffic and anomaly detection in computer communications renewable and alternative energy concepts methodologies tools and applications

ap12 physics b scoring guidelines college board - Aug 01 2023

web ap physics 2012 scoring guidelines general notes about 2012 ap physics scoring guidelines the solutions contain the most common method of solving the free response questions and the allocation of points for this solution some also contain a common alternate solution other methods of solution also receive appropriate credit for

ap physics c e m 2012 multiple choice solutions with youtube - Apr 16 2022

web may 2 2021 0 00 47 44 ap physics c e m 2012 multiple choice solutions with explanations nuno carvalho 596 subscribers subscribe 11k views 2 years ago hope you find this video helpful

physics c mechanics practice exam college board - Feb 24 2023

web from the 2012 administration multiple choice answer key free response scoring guidelines scoring worksheet note this publication shows the page numbers that appeared in the 2011 12 ap exam it is monday afternoon may 14 and you will be taking the ap physics c mechanics exam if you are giving the alternate exam for late testing

ap physics b 2012 multiple choice answers pdf - Mar 16 2022

web many electron approaches in physics chemistry and mathematics advances in multi scale multi physics geophysical modelling and fluid transport in unconventional oil and gas reservoir nanoarmoring of enzymes with carbon nanotubes and magnetic nanoparticles 5 steps to a 5 ap physics b 2014 edition cracking the ap physics b

ap physics c mechanics practice exam 2012 studocu - May 18 2022

web section i of this exam contains 35 multiple choice questions for these questions ll in only the circles for numbers 1 through 35 on your answer sheet a table of information that may be helpful is in the booklet rulers and straightedges may be used in this section indicate all of your answers to the multiple choice questions on the answer

ap physics b 2012 solutions pdf evaluation methods scribd - Oct 03 2023

web ap physics b 2012 solutions free download as pdf file pdf text file txt or read online for free these are the answers to all questions excluding number 6 for the ap physics b 2012 free response

ap physics 2 practice tests crackap com - Nov 23 2022

web 5 with two correct answers total 50 multiple choice questions 2 free response 1 experimental design question 90 minutes ap physics 2 multiple choice practice tests ap physics 2 practice test 1 ap physics 2 practice test 2 ap physics 2 practice test 3 ap physics 2 practice test 4

ap physics 1 and 2 exam questions college board - Dec 25 2022

web ap physics 1 algebra based sample exam questions sample multiple choice questions rr 1 two solid spheres of radius r made of the same type of steel are placed in contact as shown in the figures above the magnitude of the

ap physics c mechanics past exam questions - Oct 23 2022

web the exam ap physics c mechanics past exam questions free response questions download free response questions from past exams along with scoring guidelines sample responses from exam takers and scoring distributions

2012 public practice exam ap physics c electricity and - Jan 26 2023

web the questions are weighted equally section i multiple choice booklet instructions section i of this exam contains 35 multiple choice questions for these questions fill in only the circles for numbers 1 through 35 on your answer sheet a table of information that may be helpful is in the booklet

ap physics b 2012 multiple choice answers pdf marturaeco - Aug 21 2022

web cracking the ap physics b exam 2012 edition steven a leduc 2011 09 06 presents a study plan to build knowledge and confidence discusses study skills and strategies reviews core topics and provides two full length practice

pdf 2013 ap physics b mcq multiple choice questions with answers - Jun 30 2023

web pdf 2013 ap physics b mcq multiple choice questions with answers advanced placement pdf plain text physics b practice

exam from the 2013 administration revised April 2014 this practice exam is provided by

multiple choice questions fiveable - Feb 12 2022

web Dec 21 2021 multiple choice practice for Newton's laws of motion welcome to unit 2 AP Physics C Mechanics multiple choice questions grab some paper and a pencil to record your answers as you go you can see how you did on the unit 2

practice questions answers and review sheet once you're done

ap physics b 2012 free response questions college board - May 30 2023

web directions answer all seven questions which are weighted according to the points indicated the suggested times are about 11 minutes for answering each of questions 2 3 4 6 and 7 and about 17 minutes for answering each of questions 1 and 5 the parts within a question may not have equal weight

ap physics b 2012 multiple choice answers pdf lászló mihály - Jul 20 2022

web multiple choice answers pdf by online you might not require more period to spend to go to the book opening as competently as search for them in some cases you likewise get not discover the statement AP Physics B 2012 multiple choice answers pdf that you are looking for it will entirely squander the time

nonlinear dynamics and chaos with student solutions manual - Apr 03 2023

web nonlinear dynamics and chaos with student solutions manual with applications to physics biology chemistry and engineering second edition by Steven H. Strogatz 935 pages

student solutions manual for nonlinear dynamics and chaos - May 04 2023

web Aug 2 2016 this official student solutions manual includes solutions to the odd numbered exercises featured in the second edition of Steven Strogatz's classic text nonlinear dynamics and chaos with applications to physics biology chemistry and engineering the textbook and accompanying student solutions manual are aimed at

nonlinear dynamics and chaos 2nd edition textbook solutions chegg - May 24 2022

web unlike static pdf nonlinear dynamics and chaos 2nd edition solution manuals or printed answer keys our experts show you how to solve each problem step by step no need to wait for office hours or assignments to be graded to find out where you took a

nonlinear dynamics and chaos 2nd ed set with student solutions manual - Sep 27 2022

web Aug 23 2016 Steven H. Strogatz's nonlinear dynamics and chaos second edition is aimed at newcomers to nonlinear dynamics and chaos especially students taking a first course in the subject the presentation stresses analytical methods concrete examples and geometric intuition

nonlinear dynamics and chaos with student solutions manual - Mar 22 2022

web Nov 4 2022 nonlinear dynamics and chaos with student solutions manual with applications to physics biology chemistry

and engineering second edition by steven h strogatz 0 ratings 1 want to read 0 currently reading 0 have read

student solutions manual for nonlinear dynamics and chaos - Jul 06 2023

web jun 16 2019 this official student solutions manual includes solutions to the odd numbered exercises featured in the second edition of steven strogatz s classic text nonlinear dynamics and chaos with applications to physics biology chemistry and

download student solutions manual for nonlinear dynamics and chaos - Sep 08 2023

web this official student solutions manual includes solutions to the odd numbered exercises featured in the second edition of steven strogatz s classic text nonlinear dynamics and chaos with applications to physics biology chemistry and engineering the textbook and accompanying student solutions manual are aimed at newcomers to nonlinear

student solutions manual for nonlinear dynamics and chaos - Feb 01 2023

web this official student solutions manual includes solutions to the odd numbered exercises featured in the second edition of steven strogatz s classic text nonlinear dynamics and chaos with applications to physics biology chemistry and engineering

nonlinear dynamics and chaos textbook solutions chegg com - Apr 22 2022

web nonlinear dynamics and chaos textbook solutions from chegg view all supported editions

nonlinear dynamics and chaos with student solutions manual - Aug 07 2023

web aug 23 2016 nonlinear dynamics and chaos with student solutions manual with applications to physics biology chemistry and engineering second edition by steven h strogatz

student solutions manual for nonlinear dynamics and chaos - Aug 27 2022

web student solutions manual for nonlinear dynamics and chaos 2nd edition pdfdrive com pdf free ebook download as pdf file pdf text file txt or read book online for free

nonlinear dynamics and chaos with applications to physics - Dec 31 2022

web mar 1 2015 nonlinear dynamics and chaos with applications to physics biology chemistry and engineering second edition studies in nonlinearity strogatz steven h 9780813349107 amazon com books books

strogatz book exercise solutions researchgate - Jul 26 2022

web does anybody know where i can find the solutions of the exercises included in the strogatz book on nonlinear dynamics and chaos

nonlinear dynamics and chaos 2nd ed set with student solutions manual - Mar 02 2023

web aug 23 2016 the student solutions manual by mitchal dichter includes solutions to the odd numbered exercises featured in nonlinear dynamics and chaos second edition

nonlinear dynamics and chaos by steven strogatz stochastic tinkering - Feb 18 2022

web apr 4 2021 nonlinear dynamics and chaos section 2 4 linear stability analysis solutions nonlinear dynamics and chaos section 2 5 existence and uniqueness solutions nonlinear dynamics and chaos section 2 6 impossibility of oscillations solutions nonlinear dynamics and chaos section 2 7 potentials solutions

student solutions manual for nonlinear dynamics and chaos - Jun 05 2023

web description this official student solutions manual includes solutions to the odd numbered exercises featured in the second edition of steven strogatz s classic text nonlinear dynamics and chaos with applications to physics biology chemistry and

nonlinear dynamics and chaos 2nd edition solutions and quizlet - Oct 29 2022

web at quizlet we re giving you the tools you need to take on any subject without having to carry around solutions manuals or printing out pdfs now with expert verified solutions from nonlinear dynamics and chaos 2nd edition you ll learn how to solve your toughest homework problems

nonlinear dynamics and chaos with applications to physics - Jun 24 2022

web may 22 2019 ebook isbn 9780429492563 subjects mathematics statistics share citation abstract this textbook is aimed at newcomers to nonlinear dynamics and chaos especially students taking a first course in the subject the presentation stresses analytical methods concrete examples and geometric intuition

nonlinear dynamics and chaos solution manual pdf - Oct 09 2023

web nonlinear dynamics some exercises and solutions s strogatz nonlinear dynamics and chaos dominik zobel email protected please note the following exercises should but mustn t be correct if you are convinced to have found an error feel free to contact me

[nonlinear dynamics and chaos with student solutions manual](#) - Nov 29 2022

web sep 21 2018 nonlinear dynamics and chaos with student solutions manual with applications to physics biology chemistry and engineering second edition steven h strogatz crc press sep 21 2018

[bmc 1500 diesel engine workshop manual for sale online ebay](#) - Oct 05 2022

web find many great new used options and get the best deals for bmc 1500 diesel engine workshop manual at the best online prices at ebay free delivery for many products bmc 1500 diesel engine workshop manual for sale online ebay

bmc 1500 marine diesel engine manual by kusrc8 issuu - Feb 26 2022

web dec 22 2017 bmc 1500 marine diesel engine manual pdf 49 pages 255 29 kb 06 apr 2016 table of content introduction brief description main topic technical note appendix glossary pdf file bmc

workshop repair manual chertsey meads marine - Apr 11 2023

web 1 bmc 1 5l diesel engine workshop repair manual 2 3

[bmc 1500 diesel engine manual by maildx5 issuu](#) - Mar 30 2022

web dec 28 2017 bmc 1500 diesel engine manual full free access for bmc 1500 diesel engine manual full from our huge library or simply read online from your computer instantly we have a large number of pdf

bmc diesel engine manuals marine diesel basics - Jun 13 2023

web 3 simple steps to make your diesel system reliable and robust step one get the manuals for your equipment owner workshop and parts manuals are important documents that should be part of every vessel s library they contain the detailed information necessary for safe operation maintenance and correct servicing

[bmc 1500l diesel engine workshop manual manuals online](#) - Sep 04 2022

web bmc 1500l diesel engine workshop manual have a question ask us what s included lifetime access fast download speeds online offline access access pdf contents bookmarks full search facility print one or all pages of your manual add to cart 27 99 pdf 1 74 mb preview 1 bmc 1 5l diesel engine workshop repair manual 3 9

bmc 1 5 manuals boat building maintenance canal world - May 12 2023

web may 1 2009 bmc 1 5 operators handbook some tips and dos and don ts tempest 1 5 and 2 5 engine manuals bmc 1 5 and 1 8 operator s handbook bmc 1 5 repair operation manual 1980 bmc 1 5 workshop repair manual 1979 edited may *bmc 1500 diesel engine manual copy* - Dec 27 2021

web bmc 1500 1800 engine bmc 2012 09 this book contains the operator s handbooks as well as the repair operation manuals for this still very popular marine and stationary engines 1 5 1 8 litre diesel engines anonymus 2014 12 18 dieses buch umfasst sowohl ein anwenderfreundliches handbuch als auch einen leitfaden zur wartung und

[bmc 1 5 litre diesel ybw forum](#) - Jan 28 2022

web jul 26 2021 i m fitting a bukh 24 donkey onto a set of beams and mounts that supported a bmc 1500 i ve got a good diagram of the bukh mounting plan but can t find the diagram of the bmc engine mounts layout it s not in the user service manual

bmc diesel engine manuals old marine engine - Apr 30 2022

web may 16 2006 registered 07 2006 posted on tuesday july 11 2006 06 23 pm g day i have the workshop manual for the tempest series of bmc s this covers the 3 8 5 1 and 5 7 liter marine conversionsn of that period it is only in hard copy but if it is of use to you i ll take a minute and scan it

bmc leyland 1500l diesel workshop manual documents and e - Mar 10 2023

web download view bmc leyland 1500l diesel workshop manual as pdf for free more details words 74 pages 67 preview full text related documents

b m c 1 5 the bmc 1 5 diesel engine was probably the most - Jan 08 2023

web the m c 1 5 bmc 1 5 diesel engine was probably the most widely used engine within the marine industry throughout the 1960 s and 70 s its ability to withstand abuse abundant and cheap diesel engine spares parts made it the most

bmc 1 5 leyland 1500 diesel engine spares asap supplies - Dec 07 2022

web this is a listing of items that have been fitted to the popular bmc leyland 1 5l diesel engine throughout production for the bmc 1 5 engine we can offer air fuel oil filters fuel injection components gaskets seals glow plugs heat exchangers internal engine components oil coolers pumps spares and thermostats housings

bmc 1 5 workshop manual pdf download calcutt boats ltd - Feb 09 2023

web workshop manual for bmc 1 5 diesel automotive specific items have been removed this is a pdf file you will be sent a download link to your email download and save the file customers who bought this product also bought prices incl vat plus delivery browse this category handbooks and manuals

bmc leyland 1500l diesel workshop manual pdf transport - Jul 14 2023

web bmc leyland 1500l diesel workshop manual original title bmc leyland 1500l diesel workshop manual uploaded by acid 47584 description bmc leyland 1500l diesel workshop manual copyright attribution non commercial by nc available formats download as pdf txt or read online from scribd flag for inappropriate content 25

bmc 1500l diesel engine digital workshop manual - Jun 01 2022

web bmc 1500l diesel engine workshop manual this highly detailed digital workshop repair manual contains everything you will ever need to repair maintain rebuild refurbish or restore your vehicle all diagnostic and repair procedures are covered in great detail this digital workshop repair manual covers the same information that professional

bmc 1 5 1 8 litre diesel engines operation and repair manuals - Aug 15 2023

web bmc 1 5 1 8 litre diesel engines operation and repair manuals this book contains the operator s handbooks as well as the complete repair operation manuals for these still very popular

bmc 1 5 bmc 1500 diesel engine build pt1 intro youtube - Jul 02 2022

web apr 28 2021 restoration of a bmc 1 5 diesel engine overview and strip of the gearing system bmc boat engines on facebook manual available from calcuttboats c

bmc 1500l diesel engine workshop manual emanualonline - Nov 06 2022

web bmc 1500l diesel engine workshop manualthis highly detailed workshop repair manual contains everything you will ever need to repair maintain rebuild refurbish or restore your vehicle all diagnostic and repair procedures are covered in great de bmc 1500l diesel engine workshop manual javascript seems to be disabled in your

bmc 1 5 bmc 1500 engine build pt3 internal components - Aug 03 2022

web restoration of a bmc 1 5 diesel engine inspection and reassembly of internal componentsbmc boat engines on facebook

manual available from calcutt