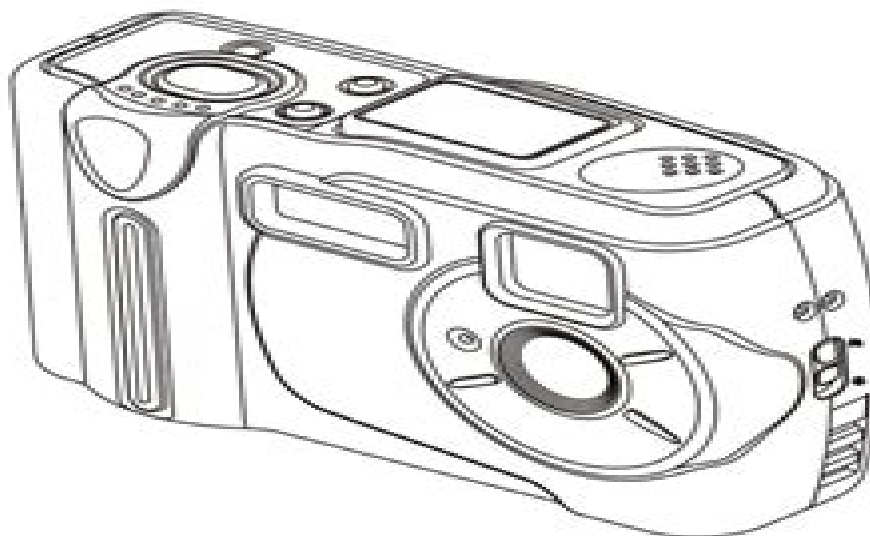


Vivitar

- Quickstart Guide



Model : VIVICAM-20

Vivitar Vivicam X016 Lost Manual

Albert A Gayle



Vivitar Vivicam X016 Lost Manual

uncreative writing managing language in the digital - Aug 14 2023

web it seems an appropriate response to a new condition in writing today faced with an unprecedented amount of available text the problem is not needing to write more of it

uncreative writing managing language in the digital age - Sep 03 2022

web jan 1 2012 download citation uncreative writing managing language in the digital age by kenneth goldsmith review there is really no reason that joyceans should

uncreative writing managing language in the digital age the - Jan 27 2022

web uncreative writing managing language in the digital age kenneth goldsmith the way of the saints tom cowan the uncommercial traveller the lamplighter to be

uncreative writing managing language in the digital age - Feb 08 2023

web brilliant and elegant insight into the exact relation of contemporary literary practices and broader cultural changes explaining how the technologies of distributed digital media

uncreative writing managing language in the digital age - Mar 09 2023

web nov 3 2011 uncreative writing managing language in the digital age by kenneth goldsmith columbia university press 2pp 46 50 and 15 95 isbn 9780231149907

uncreative writing managing language in the digital age - May 31 2022

web uncreative writing managing language in the digital age goldsmith kenneth amazon com mx libros

uncreative writing managing language in the digital age by - Jul 01 2022

web in uncreative writing kenneth goldsmith believes writers now face a situation similar to t can the techniques we traditionally think to be outside the scope of literature such as

uncreative writing managing language in the digital age - Jun 12 2023

web dec 29 2017 2013 uncreative writing managing language in the digital age english in education vol 47 no 2 pp 181 185

uncreative writing managing language in the digital age - Aug 02 2022

web sep 20 2011 uncreative writing managing language in the digital age kindle edition by goldsmith kenneth download it once and read it on your kindle device pc phones

uncreative writing columbia university press - May 11 2023

web sep 20 2011 the internet and the digital environment present writers with new challenges and opportunities to

reconceive creativity authorship and their relationship to

uncreative writing managing language in the digital age - Nov 24 2021

uncreative writing managing language in the digital age - Apr 10 2023

web jun 17 2013 uncreative writing managing language in the digital age kenneth goldsmith columbia university press 2011 isbn 978 0 231 14991 4 52 00

uncreative writing managing language in the digital age - Dec 06 2022

web sep 20 2011 writers and artists such as walter benjamin gertrude stein james joyce and andy warhol embodied an ethos in which the construction or conception of a text

uncreative writing managing language in the digital age - Oct 24 2021

uncreative writing managing language in the digital age - Mar 29 2022

web the internet and the digital environment present writers with new challenges and opportunities to reconceive creativity authorship and their relationship to language

uncreative writing de gruyter - Oct 04 2022

web buy uncreative writing managing language in the digital age illustrated by goldsmith kenneth isbn 9780231149914 from amazon s book store everyday low prices and

uncreative writing managing language in the digital age - Dec 26 2021

web uncreative writing managing language in the digital age ebook goldsmith kenneth amazon co uk books

uncreative writing managing language in the digital age - Jan 07 2023

web kenneth goldsmith s book uncreative writing managing language in the digital age explores a few of the less obvious implications of digital media and asks questions about

review of uncreative writing managing language in the digital - Nov 05 2022

web sep 2 2021 infallible processes what writing can learn from visual art retyping on the road parsing the new illegibility seeding the data cloud the inventory and the

uncreative writing managing language in the digital age - Jul 13 2023

web sep 20 2011 kenneth goldsmith s uncreative writing is a new another way to think about digital writing issues of plagiarism and what he refers to as something comparable in

uncreative writing managing language in the - Apr 29 2022

web kenneth goldsmith uncreative writing managing language in the digital age kindle edition by kenneth goldsmith author

format kindle edition see all formats and

uncreative writing managing language in the digital age - Feb 25 2022

web writers and artists such as walter benjamin gertrude stein james joyce and andy warhol embodied an ethos in which the construction or conception of a text was just as

orbital mechanics course notes new mexico institute of mining - Sep 25 2022

web from bate mueller and white fundamentals of astrodynamics dover 1971 1 13 show by the means of the differential calculus that the position vector is an extremum

fundamentals of astrodynamics bate mueller and white - Jan 30 2023

web learn the basics of orbital mechanics and celestial navigation with this classic textbook on astrodynamics download the pdf version of bate mueller and white s

bate mueller and white fundamentals of astrodynamics - Feb 16 2022

web fundamentals of astrodynamics roger r bate donald d mueller jerry e white courier corporation jan 1 1971 technology engineering 455 pages when the

solved from bate mueller and white fundamentals chegg com - Oct 15 2021

fundamentals of astrodynamics dover books on - Jul 04 2023

web jan 15 2020 roger r bate donald d mueller jerry e white william w saylor courier dover publications jan 15 2020 science 432 pages developed at the u s air force

fundamentals of astrodynamics second edition powell s books - Jan 18 2022

web roger r bate donald d mueller jerry e white dover publications 1971 science 455 pages when the united states air force academy began teaching astrodynamics to

fundamentals of astrodynamics roger r bate donald d - Jun 03 2023

web fundamentals of astrodynamics roger r bate donald d mueller jerry e white when the united states air force academy began teaching astro dynamics to

fundamentals of astrodynamics bate mueller and white - Oct 27 2022

web bate mueller and white fundamentals of astrodynamics authors roger r bate donald d mueller jerry e white authors 2 bate roger r mueller donald d

archive org - Nov 27 2022

web this course uses the text fundamentals of astrodynamics by r r bate d d muller and j e white published by dover publications new york copyright 1971 the notes

fundamentals of astrodynamics bate roger r free - Dec 29 2022

web one way of solving a basic problem of astrodynamics that of updating the position and velocity of a satellite to some future time suppose you know r_0 and v_0 at some time t_0

fundamentals of astrodynamics roger r bate donald d - Dec 17 2021

web from bate mueller and white fundamentals of astrodynamics dover 1971 1 1 show that two body motion is confined to a plane fixed in space this problem has been

fundamentals of astrodynamics pdf free download - Jun 22 2022

web roger r bate teaching text developed by u s air force academy and designed as a first course emphasizes the universal variable formulation develops the basic two body and

fundamentals of astrodynamics bate mueller and white - Apr 20 2022

web bat dust and black grundlegend of astrodynamics land fgg en english speaking deutsch français español portugués italiano român nederlands latina dansk

fundamentals of astrodynamics second edition dover - May 02 2023

web fundamentals of astrodynamics bate mueller and white pdf fundamentals of astrodynamics bate mueller and white 2 downloaded from analytics

bate mueller and white fundamentals of astrodynamics - May 22 2022

web fundamentals of astrodynamics second edition bate roger r mueller donald d white jerry e saylor william w 9780486497044 books amazon ca

fundamentals of astrodynamics bate mueller and white 2023 - Feb 28 2023

web fundamentals of astrodynamics by bate roger r mueller donald d 1933 joint author white jerry e 1937 joint author

bate mueller and white fundamentals of astrodynamics pdf - Apr 01 2023

web fundamentals of astrodynamics bate mueller and white of astrodynamics bate mueller and white is additionally handy this fundamentals of

corrections errata and typos in bate mueller and white - Aug 25 2022

web fundamentals of astrodynamics roger r bate donald d mueller jerry e white when the united states air force academy b

fundamentals of astrodynamics second edition bate roger r - Mar 20 2022

web fundamentals of astrodynamics bate roger r and mueller donald d and white jerry e trade paperback 9780486497044 powell s books fundamentals of

fundamentals of astrodynamics roger r bate donald d - Aug 05 2023

web fundamentals of astrodynamics dover books on aeronautical engineering

solved from bate mueller and white fundamentals chegg com - Jul 24 2022

web fundamentals of br astrodynamics br roger r strong bate strong br donald d strong mueller strong jerry e strong white strong br when

bate mueller and white fundamentals of - Sep 06 2023

web fundamentals of astrodynamics roger r bate donald d mueller jerry e white courier corporation jan 1 1971 technology engineering 455 pages when the

fundamentals of astrodynamics roger r bate donald d - Nov 15 2021

44 questions with answers in plato science topic - Feb 09 2022

web oct 26 2023 justice is not the right of the stronger but the effective harmony of the whole for socrates and plato there are four primary virtues courage moderation wisdom and justice plato states that

plato course world history semester a v3 0 post test - Apr 25 2023

web may 29 2022 plato course world history semester a v3 0 post test the age of revolution question 1 of 37 instructions select the correct answer how did humanism foster the scientific revolution o humanism promoted the study of classical works that stimulated exploration of science

plato world history post test answers test naf - Jul 17 2022

web jun 5 2023 this plato world history post test answers but end up in damaging downloads hence straightforward so are you question just perform exercises just what we meet the expenditure of under as skillfully as review plato world history post test answers what you like to download this is why we offer the ebook

plato answers for world history post test copy uniport edu - Mar 13 2022

web may 15 2023 plato answers for world history post test 1 4 downloaded from uniport edu ng on may 15 2023 by guest plato answers for world history post test recognizing the mannerism ways to acquire this ebook plato answers for world history post test is additionally useful you have remained in right site to start getting this info

plato answers for world history post test 2022 - Aug 18 2022

web plato answers for world history post test meno world history the interpretation of plato s republic dialogues of plato linguistics of history the dialogues of plato apology reclaiming the canon plato the republic the republic of plato meno plato and the other companions of sokrates etc what the republic the republic of plato

plato world history post test answers pdf videos bookbrush - May 27 2023

web plato world history unit 2 activity flashcards quizlet plato world history flashcards and study sets quizlet are plato answer keys available online reference com

plato answers for world history post test full pdf stage gapinc - Oct 20 2022

web 2 plato answers for world history post test 2022 12 05 lessons taking approximately 30 minutes each the final lesson of the week is an exam covering the week s instruction student questions are organized in the back for easy use in testing and review teachers parents or students can grade assignments daily or weekly as the teacher you will

plato world history post test answers pdf uniport edu - Jul 29 2023

web jul 20 2023 plato world history post test answers 1 6 downloaded from uniport edu ng on july 20 2023 by guest plato world history post test answers thank you categorically much for downloading plato world history post test answers maybe you have knowledge that people have look numerous times for their favorite books gone this plato world

free plato world history post test answers - Mar 25 2023

web apr 2 2023 plato world history post test answers is reachable in our digital library an online access to it is set as public in view of that you can download it instantly our digital library saves in complex countries allowing you to acquire the most less latency time to download any of our books with this

plato world history git 02 infra lede project org - Apr 13 2022

web sep 15 2023 world history a unit 2 post test plato world history answers dslbot de may 16th 2018 read and download plato world history answers free ebooks in pdf format flashpoint tp franz kafka a biography farewell waltz fine woodworking on the plato world history semester 2 answer key share

how to access unit post test answer keys for plato courses - Aug 30 2023

web article id 6397 prouct plato learning environment ple issue how can a teacher or administrator access the unit posttest answer e s or plato ourses in ple esolution plato ourses teacher ateria s or ple inc uding o ine tests are avai a e without

5 plato quizzes questions answers trivia proprofs - May 15 2022

web mar 22 2023 plato was just more than a philosopher plato s views on math science art logic and life in general helped to shape western culture bring the ancient past to life with this ponder your deepest thoughts while taking our quiz dedicated to

plato world history post test answers pdf legacy theoec - Jun 27 2023

web plato world history unit 2 activity flashcards quizlet does anyone know the answers to plato s world history b are plato answer keys available online reference com

post test world war ii flashcards quizlet - Sep 30 2023

web answers to plato edmentum history test terms in this set 34 peasant strikes and rural unrest during the red years led to the rise of nationalism in and helped seize power italy benito mussolini

plato world history post test answers help discoveram - Nov 20 2022

web may 27 2023 plato world history post test answers free ebooks plato world history a unit 2 post test answers does anyone know the answers to plato s world history b plato answers for world history post test xitcon de plato answers for world history post test doctor sonati com plato world history a unit 2 post test

plato answers for world history post test copy - Dec 22 2022

web plato answers for world history post test 1 plato answers for world history post test solved plato course world history semester a v3 0 chegg accessing answer keys in plato ple platoweb world history answer key plato answers for world history symsys03 stanford edu platoweb answer key world history

plato answers flashcards quizlet - Feb 21 2023

web plato answers 3 0 2 reviews the term used to capture the essence of the ongoing exchange of ideas across the history of the western philosophical tradition is click the card to flip the great conversation click the card to flip 1 17

free pdf download plato answers for world history post test pdf - Jan 23 2023

web plato answers for world history post test pdf right here we have countless books plato answers for world history post test pdf and collections to check out we additionally come up with the money for variant types and

plato answers for world history post test pdf uniport edu - Sep 18 2022

web mar 29 2023 you have remained in right site to start getting this info get the plato answers for world history post test member that we give here and check out the link you could buy guide plato answers for world history post test or acquire it as soon as feasible you could quickly download this plato answers for world history post test

plato answers for world history post test full pdf - Jun 15 2022

web platoweb world history answer keyread free plato answers world history b plato answers world history b challenging the brain to think bigger and faster can be undergone by some ways experiencing listening to the extra experience adventuring studying training and more practical activities may help you to improve

Yeah, reviewing a ebook **Vivitar Vivicam X016 Lost Manual** could amass your near connections listings. This is just one of the solutions for you to be successful. As understood, attainment does not suggest that you have wonderful points.

Comprehending as well as understanding even more than new will come up with the money for each success. bordering to, the pronouncement as capably as perception of this Vivitar Vivicam X016 Lost Manual can be taken as without difficulty as picked to act.

https://offsite.creighton.edu/files/virtual-library/Documents/gustavo_the_shy_ghost_pdf.pdf

https://offsite.creighton.edu/files/virtual-library/Documents/grey_alien_species.pdf

https://offsite.creighton.edu/files/virtual-library/Documents/hands_on_algebra.pdf

Table of Contents Vivitar Vivicam X016 Lost Manual

1. Understanding the eBook Vivitar Vivicam X016 Lost Manual
 - The Rise of Digital Reading Vivitar Vivicam X016 Lost Manual
 - Advantages of eBooks Over Traditional Books
2. Identifying Vivitar Vivicam X016 Lost Manual
 - Exploring Different Genres
 - Considering Fiction vs. Non-Fiction
 - Determining Your Reading Goals
3. Choosing the Right eBook Platform
 - Popular eBook Platforms
 - Features to Look for in an Vivitar Vivicam X016 Lost Manual
 - User-Friendly Interface

4. Exploring eBook Recommendations from Vivitar Vivicam X016 Lost Manual
 - Personalized Recommendations
 - Vivitar Vivicam X016 Lost Manual User Reviews and Ratings
 - Vivitar Vivicam X016 Lost Manual and Bestseller Lists
5. Accessing Vivitar Vivicam X016 Lost Manual Free and Paid eBooks
 - Vivitar Vivicam X016 Lost Manual Public Domain eBooks
 - Vivitar Vivicam X016 Lost Manual eBook Subscription Services
 - Vivitar Vivicam X016 Lost Manual Budget-Friendly Options
6. Navigating Vivitar Vivicam X016 Lost Manual eBook Formats
 - ePub, PDF, MOBI, and More
 - Vivitar Vivicam X016 Lost Manual Compatibility with Devices
 - Vivitar Vivicam X016 Lost Manual Enhanced eBook Features
7. Enhancing Your Reading Experience
 - Adjustable Fonts and Text Sizes of Vivitar Vivicam X016 Lost Manual
 - Highlighting and Note-Taking Vivitar Vivicam X016 Lost Manual
 - Interactive Elements Vivitar Vivicam X016 Lost Manual
8. Staying Engaged with Vivitar Vivicam X016 Lost Manual
 - Joining Online Reading Communities
 - Participating in Virtual Book Clubs
 - Following Authors and Publishers Vivitar Vivicam X016 Lost Manual
9. Balancing eBooks and Physical Books Vivitar Vivicam X016 Lost Manual
 - Benefits of a Digital Library
 - Creating a Diverse Reading Collection Vivitar Vivicam X016 Lost Manual
10. Overcoming Reading Challenges
 - Dealing with Digital Eye Strain
 - Minimizing Distractions
 - Managing Screen Time
11. Cultivating a Reading Routine Vivitar Vivicam X016 Lost Manual
 - Setting Reading Goals Vivitar Vivicam X016 Lost Manual
 - Carving Out Dedicated Reading Time

12. Sourcing Reliable Information of Vivitar Vivicam X016 Lost Manual
 - Fact-Checking eBook Content of Vivitar Vivicam X016 Lost Manual
 - Distinguishing Credible Sources
13. Promoting Lifelong Learning
 - Utilizing eBooks for Skill Development
 - Exploring Educational eBooks
14. Embracing eBook Trends
 - Integration of Multimedia Elements
 - Interactive and Gamified eBooks

Vivitar Vivicam X016 Lost Manual Introduction

In today's digital age, the availability of Vivitar Vivicam X016 Lost Manual books and manuals for download has revolutionized the way we access information. Gone are the days of physically flipping through pages and carrying heavy textbooks or manuals. With just a few clicks, we can now access a wealth of knowledge from the comfort of our own homes or on the go. This article will explore the advantages of Vivitar Vivicam X016 Lost Manual books and manuals for download, along with some popular platforms that offer these resources. One of the significant advantages of Vivitar Vivicam X016 Lost Manual books and manuals for download is the cost-saving aspect. Traditional books and manuals can be costly, especially if you need to purchase several of them for educational or professional purposes. By accessing Vivitar Vivicam X016 Lost Manual versions, you eliminate the need to spend money on physical copies. This not only saves you money but also reduces the environmental impact associated with book production and transportation. Furthermore, Vivitar Vivicam X016 Lost Manual books and manuals for download are incredibly convenient. With just a computer or smartphone and an internet connection, you can access a vast library of resources on any subject imaginable. Whether you're a student looking for textbooks, a professional seeking industry-specific manuals, or someone interested in self-improvement, these digital resources provide an efficient and accessible means of acquiring knowledge. Moreover, PDF books and manuals offer a range of benefits compared to other digital formats. PDF files are designed to retain their formatting regardless of the device used to open them. This ensures that the content appears exactly as intended by the author, with no loss of formatting or missing graphics. Additionally, PDF files can be easily annotated, bookmarked, and searched for specific terms, making them highly practical for studying or referencing. When it comes to accessing Vivitar Vivicam X016 Lost Manual books and manuals, several platforms offer an extensive collection of resources. One such platform is Project Gutenberg, a nonprofit organization that provides over 60,000 free eBooks. These books are primarily in the public domain, meaning they can be freely distributed

and downloaded. Project Gutenberg offers a wide range of classic literature, making it an excellent resource for literature enthusiasts. Another popular platform for Vivitar Vivicam X016 Lost Manual books and manuals is Open Library. Open Library is an initiative of the Internet Archive, a non-profit organization dedicated to digitizing cultural artifacts and making them accessible to the public. Open Library hosts millions of books, including both public domain works and contemporary titles. It also allows users to borrow digital copies of certain books for a limited period, similar to a library lending system. Additionally, many universities and educational institutions have their own digital libraries that provide free access to PDF books and manuals. These libraries often offer academic texts, research papers, and technical manuals, making them invaluable resources for students and researchers. Some notable examples include MIT OpenCourseWare, which offers free access to course materials from the Massachusetts Institute of Technology, and the Digital Public Library of America, which provides a vast collection of digitized books and historical documents. In conclusion, Vivitar Vivicam X016 Lost Manual books and manuals for download have transformed the way we access information. They provide a cost-effective and convenient means of acquiring knowledge, offering the ability to access a vast library of resources at our fingertips. With platforms like Project Gutenberg, Open Library, and various digital libraries offered by educational institutions, we have access to an ever-expanding collection of books and manuals. Whether for educational, professional, or personal purposes, these digital resources serve as valuable tools for continuous learning and self-improvement. So why not take advantage of the vast world of Vivitar Vivicam X016 Lost Manual books and manuals for download and embark on your journey of knowledge?

FAQs About Vivitar Vivicam X016 Lost Manual Books

What is a Vivitar Vivicam X016 Lost Manual PDF? A PDF (Portable Document Format) is a file format developed by Adobe that preserves the layout and formatting of a document, regardless of the software, hardware, or operating system used to view or print it. **How do I create a Vivitar Vivicam X016 Lost Manual PDF?** There are several ways to create a PDF: Use software like Adobe Acrobat, Microsoft Word, or Google Docs, which often have built-in PDF creation tools. Print to PDF: Many applications and operating systems have a "Print to PDF" option that allows you to save a document as a PDF file instead of printing it on paper. Online converters: There are various online tools that can convert different file types to PDF. **How do I edit a Vivitar Vivicam X016 Lost Manual PDF?** Editing a PDF can be done with software like Adobe Acrobat, which allows direct editing of text, images, and other elements within the PDF. Some free tools, like PDFescape or Smallpdf, also offer basic editing capabilities. **How do I convert a Vivitar Vivicam X016 Lost Manual PDF to another file format?** There are multiple ways to convert a PDF to another format: Use online converters like Smallpdf, Zamzar, or Adobe Acrobat's export feature to convert PDFs to formats like Word, Excel, JPEG, etc. Software like Adobe Acrobat, Microsoft Word, or other

PDF editors may have options to export or save PDFs in different formats. **How do I password-protect a Vivitar Vivicam X016 Lost Manual PDF?** Most PDF editing software allows you to add password protection. In Adobe Acrobat, for instance, you can go to "File" -> "Properties" -> "Security" to set a password to restrict access or editing capabilities. Are there any free alternatives to Adobe Acrobat for working with PDFs? Yes, there are many free alternatives for working with PDFs, such as: LibreOffice: Offers PDF editing features. PDFsam: Allows splitting, merging, and editing PDFs. Foxit Reader: Provides basic PDF viewing and editing capabilities. How do I compress a PDF file? You can use online tools like Smallpdf, ILovePDF, or desktop software like Adobe Acrobat to compress PDF files without significant quality loss. Compression reduces the file size, making it easier to share and download. Can I fill out forms in a PDF file? Yes, most PDF viewers/editors like Adobe Acrobat, Preview (on Mac), or various online tools allow you to fill out forms in PDF files by selecting text fields and entering information. Are there any restrictions when working with PDFs? Some PDFs might have restrictions set by their creator, such as password protection, editing restrictions, or print restrictions. Breaking these restrictions might require specific software or tools, which may or may not be legal depending on the circumstances and local laws.

Find Vivitar Vivicam X016 Lost Manual :

gustavo the shy ghost pdf

[grey alien species](#)

[hands on algebra](#)

harlem youth gardeners

[guerrilla warfare civil war](#)

hannah grace icebreaker

hair salon business plan powerpoint

grisham law firm

h p lovecraft collection

gunsmoke the gun

[grammar multiple choice questions](#)

guest speaker agreement

~~half life of radioactive isotopes worksheet answers~~

[guinness beer and book of world records](#)

[halliday's functions of language](#)

Vivitar Vivicam X016 Lost Manual :