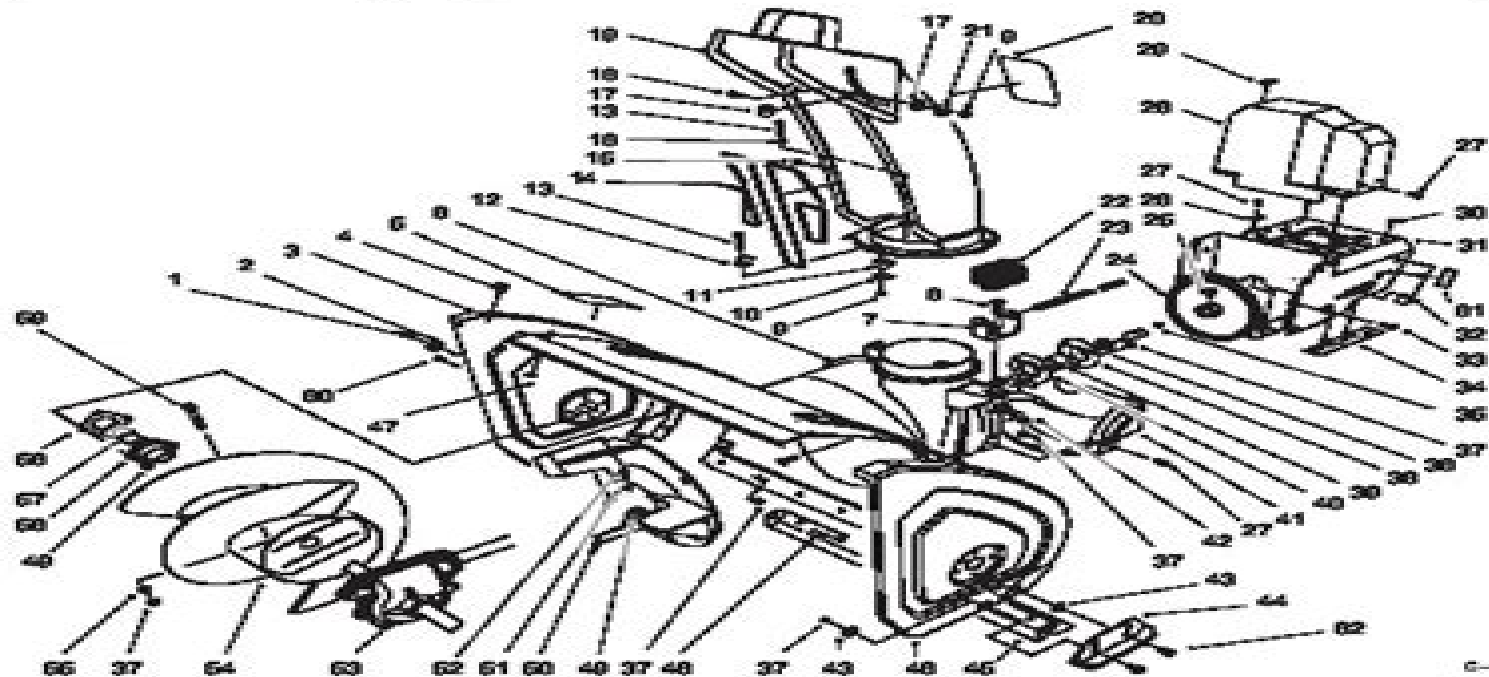


TOROMODEL NO. 38590-8900001 & UP
MODEL NO. 38591-8900001 & UPPARTS
CATALOG**1232 POWER SHIFT[®]**
SNOWTHROWER**HOUSING ASSEMBLY**

C-288

Ref. No.	Part No.	Description	No. Used	Ref. No.	Part No.	Description	No. Used
1	323-4	Screw - Hex Hd.	2	15	3290-326	Nut - Push	2
2	3-0750	Washer - Retaining	2	16	3255-14	Washer - Flat	1
3	65-7621	Plate - Side R.H.	1	17	63-2900	Washer - Plastic	2
4	3234-28	Screw - Hex Flange Hd.	12	18	32122-32	Screw	1
5	53-7670	Decal - Warning Auger (Model 38590 Only)	1	19	62-0640	Chute Assembly	1
*	54-2558	Decal - Warning Auger (Model 38591 Only)	1	20	54-6079	Decal - Danger Chute (Model 38590 Only)	1
6	62-0722	Housing - 32"	1	*	94-2559	Decal - Danger Chute (Model 38591 Only)	1
7	63-2180	Bracket - Gear	1	21	3255-61	Washer - Flat	1
8	3230-2	Bolt - Carriage	1	22	62-0620	Gear - Worm	1
9	3295-2	Nut - Lock	4	23	62-1720	Rod - Chute Gear	1
10	63-2670	Plate - Chute Retainer	3	24	62-1900	Pulley - Impeller	1
11	62-1430	Retainer - Chute	3	25	3242-4	Screw - Set Sq Hd.	2
12	63-3130	Clip - Chute Guard	1	26	63-2900	Retainer - Cable	1
13	3274-13	Screw - Machine	3	27	32144-4	Screw - Hex Flange Hd.	6
14	63-3020	Guard - Chute	1				

*Not Illustrated

© The TORO Company -1997
All Rights Reserved

TP6

Toro Parts Manual

A Gutmann



Toro Parts Manual

Catalog of Copyright Entries. Third Series Library of Congress. Copyright Office,1968 Includes Part 1 Number 2 Books and Pamphlets Including Serials and Contributions to Periodicals July December *Books and Pamphlets, Including Serials and Contributions to Periodicals* Library of Congress. Copyright Office,1968 **Catalog of Copyright Entries. Third Series** Library of Congress. Copyright Office,1963 Catalogue of Title-entries of Books and Other Articles Entered in the Office of the Librarian of Congress, at Washington, Under the Copyright Law ... Wherein the Copyright Has Been Completed by the Deposit of Two Copies in the Office Library of Congress. Copyright Office,1969 Vehicle Operator's Manual ,1988 Catalog of Copyright Entries. Fourth Series Library of Congress. Copyright Office,1962 **Popular Science** ,1973-12 Popular Science gives our readers the information and tools to improve their technology and their world The core belief that Popular Science and our readers share The future is going to be better and science and technology are the driving forces that will help make it better *The Federal Reporter* ,1974 **Yard & Garden Tractor Service Manual: Multi-Cylinder Models** Penton Staff,2000-05-24 Service procedures for yard and garden tractors manufactured through 1990 Technical Manual for Crane, Mobile, Container Handling, Truck-mounted, 140-ton Capacity DED, FMC Link Belt Model HC-238A, Army Model MHE 248, NSN 3950-01-110-9224 ,1985 FileMaker Pro 12: The Missing Manual Susan Prosser,Stuart Gripman,2012-07-24 The book that should have been in the box **Popular Mechanics** ,1984-10 Popular Mechanics inspires instructs and influences readers to help them master the modern world Whether it s practical DIY home improvement tips gadgets and digital technology information on the newest cars or the latest breakthroughs in science PM is the ultimate guide to our high tech lifestyle *Parks & Recreation* ,1957 **The Publishers' Trade List Annual** ,1882 **Popular Science** ,1971-03 Popular Science gives our readers the information and tools to improve their technology and their world The core belief that Popular Science and our readers share The future is going to be better and science and technology are the driving forces that will help make it better **Popular Science** ,1970-03 Popular Science gives our readers the information and tools to improve their technology and their world The core belief that Popular Science and our readers share The future is going to be better and science and technology are the driving forces that will help make it better **Popular Science** ,1971-02 Popular Science gives our readers the information and tools to improve their technology and their world The core belief that Popular Science and our readers share The future is going to be better and science and technology are the driving forces that will help make it better *Popular Science* ,1971-04 Popular Science gives our readers the information and tools to improve their technology and their world The core belief that Popular Science and our readers share The future is going to be better and science and technology are the driving forces that will help make it better *The Water Footprint Assessment Manual* Maite M. Aldaya,Ashok K. Chapagain,Arjen Y. Hoekstra,Mesfin M.

Mekonnen,2012-08-21 People use lots of water for drinking cooking and washing but significantly more for producing things such as food paper and cotton clothes The water footprint is an indicator of water use that looks at both direct and indirect water use of a consumer or producer Indirect use refers to the virtual water embedded in tradable goods and commodities such as cereals sugar or cotton The water footprint of an individual community or business is defined as the total volume of freshwater that is used to produce the goods and services consumed by the individual or community or produced by the business This book offers a complete and up to date overview of the global standard on water footprint assessment as developed by the Water Footprint Network More specifically it o Provides a comprehensive set of methods for water footprint assessment o Shows how water footprints can be calculated for individual processes and products as well as for consumers nations and businesses o Contains detailed worked examples of how to calculate green blue and grey water footprints o Describes how to assess the sustainability of the aggregated water footprint within a river basin or the water footprint of a specific product o Includes an extensive library of possible measures that can contribute to water footprint reduction

Popular Mechanics ,1988-03 Popular Mechanics inspires instructs and influences readers to help them master the modern world Whether it s practical DIY home improvement tips gadgets and digital technology information on the newest cars or the latest breakthroughs in science PM is the ultimate guide to our high tech lifestyle

superflirt amazon co uk cox tracey 9781405300650 books - Nov 25 2022

web buy superflirt by cox tracey isbn 9781405300650 from amazon s book store everyday low prices and free delivery on eligible orders

superflirt cox tracey free download borrow and streaming - Aug 03 2023

web superflirt bookreader item preview remove circle share or embed this item share to twitter share to facebook share to reddit share to tumblr share to pinterest superflirt by cox tracey publication date 2003 topics body language courtship sexual attraction publisher london dorling kindersley

superflirt by tracey cox goodreads - Oct 05 2023

web jan 1 2003 tracey cox 3 72 192 ratings15 reviews an introduction to the fundamentals of body language and flirting explains how to send a sexy message and how to read what other bodies are saying offering a series of intimate real life scenarios along with photographs and helpful guidelines original

superflirt by tracey cox ebook ebooks com - Dec 27 2022

web fresh chatty and filled with tracey cox s personal tips and hilarious anecdotes superflirt takes the reader through the fundamentals of body language then shows you how to express the messages you want to send and how to

pocket superflirt cox tracey free download borrow and - Oct 25 2022

web pocket superflirt by cox tracey cox tracey superflirt publication date 2005 topics man woman relationships interpersonal attraction body language nonverbal communication publisher

[superflirt worldcat org](#) - Sep 23 2022

web author tracey cox summary fresh chatty and filled with tracey cox s personal tips and hilarious anecdotes superflirt takes the reader through the fundamentals of body language then shows you how to express the messages you want to send and how to read what other bodies are saying to you

superflirt by tracey cox overdrive ebooks audiobooks and - Jun 20 2022

web jul 1 2008 a stylish up to date and audaciously honest guide to body language fresh chatty and filled with personal tips and tracey s hilarious anecdotes the book is a makeover for your own body language and an explicit field guide to reading the moods a

[superflirt cox tracey gilchrist janeanne amazon com au](#) - Apr 30 2023

web superflirt paperback 1 november 2003 an introduction to the fundamentals of body language and flirting explains how to send a sexy message and how to read what other bodies are saying offering a series of intimate real life scenarios along with photographs and helpful guidelines original

tracey cox wikipedia - Apr 18 2022

web tracey jane cox born 1 november 1961 is an english non fiction author and columnist who specialises in books on dating sex and relationships cox appeared as a relationship expert on jo whiley s show on bbc radio 1 2

superflirt cox tracey amazon sg books - Feb 26 2023

web hello select your address all

superflirt cox tracey gilchrist janeanne 9780789496515 - Sep 04 2023

web jan 1 2003 woot superflirt cox tracey gilchrist janeanne on amazon com free shipping on qualifying offers superflirt

superflirt tracey cox google books - Jul 22 2022

web jul 1 2008 superflirt tracey cox dorling kindersley limited jul 1 2008 health fitness 192 pages a stylish up to date and audaciously honest guide to body language

superflirt tracey cox 9781405300650 amazon com books - Aug 23 2022

web jan 1 2003 paperback 10 63 20 used from 7 144 new from 52 86 this is a stylish and audaciously honest guide to body language fresh chatty and filled with personal tips and tracey s anecdotes it is a makeover for your own body language and an explicit field guide to reading the moods and gestures of others

superflirt tracey cox google books - Jan 28 2023

web fresh chatty and filled with tracey cox s personal tips and hilarious anecdotes superflirt takes the reader through the

fundamentals of body language then shows you how to express the messages you want to send and how to
superflirt book by tracey cox thriftbooks - Mar 18 2022

web buy a cheap copy of superflirt book by tracey cox fresh chatty and filled with tracey cox s personal tips and hilarious anecdotes superflirt takes the reader through the fundamentals of body language then shows free shipping on all orders over 15

pocket superflirt amazon co uk cox tracey 9781405305587 - May 20 2022

web 2 89

superflirt cox tracey amazon com books - Jun 01 2023

web oct 20 2003 fresh chatty and filled with tracey cox s personal tips and hilarious anecdotes superflirt takes the reader through the fundamentals of body language then shows you how to express the messages you want to send and how to read what other bodies are saying to you

superflirt tracey cox google books - Jul 02 2023

web best selling sex and relationships author body language guru and tv flirt queen tracey cox is about to turn up the vamp volume superflirt teaches how to read your own and others body

superflirt tracey cox google books - Mar 30 2023

web oct 20 2003 fresh chatty and filled with tracey cox s personal tips and hilarious anecdotes superflirt takes the reader through the fundamentals of body language then shows you how to express the

[superflirt by tracey cox used 9781405300650 world of books](#) - Feb 14 2022

web superflirt by tracey cox a stylish up to date and audaciously honest guide to body language fresh chatty and filled with personal tips and tracey s hilarious anecdotes the book is a makeover for your own body language and an explicit field guide to reading the moods and gestures of others

biomes graphic organizer answers - Sep 01 2023

web web in this guide she will find 15 varied types of graphic organizers type 1 this is a great note taking tool that helps student organize key components of the 10 major earth biomes such as soil types climate data and animal and plant examples

results for biome graphic organizer with answer key tpt - Aug 20 2022

web product includes answer key fully colored in biome map blank map with a colored answer key fully blank map students choose color for each biome on their map a color by number map 7 different maps that highlight each individual biome great for

biomes graphic organizer exploring nature - Mar 27 2023

web nov 1 2023 graphic organizers biomes graphic organizer pdf version for downloading click here use teacher login to

show answer keys or other teacher only items citing research references when you research information you must cite the reference citing for websites is different from citing from books magazines and

terrestrial biome graphic organizer murrieta valley unified - Feb 23 2023

web 2 in what biome can you find the most diverse species of organisms 3 what is unique about the leaves of trees in temperate forests 4 what are the two types of aquatic biomes 6 name two abiotic factors in a freshwater biome 5 create a key for this map and color the places where each biome exists see book page 78 79

biomes graphic organizer answers - Jun 29 2023

web jun 11 2023 web view biome graphic organizer 1 doc from test 101 at augusta university terrestrial biomes study guide samantha sihakoun a p environmental 17 biome chart worksheet 8 major biomes of the world 13 pages including a quiz with answer key biome graphic organizer answers lafashion judge biome graphic

biomes graphic organizer teacher made twinkl - Apr 15 2022

web students can record information about each of the biomes this would be a great study aid this could also be a helpful tool for students to decide which biome they would like to study further this resource addresses the following standards ngss 3 ls2 5 ls2 teks science 3 9 4 9 5 9

biomes graphic organizer answer key pdf renewalcc - May 17 2022

web 2 2 biomes graphic organizer answer key 2023 06 10 indicate knowledge about the biomes this graphic organizer is suitable for students in grades 4 through to grade 6

[unit 4 ecosystem biomes mrs nethery s class](#) - Apr 27 2023

web assignment you will each be assigned a biome by drawing you will then research your biome and then complete a graphic organizer based on what you found you may use an ipad to research your biome complete the graphic organizer expectation you will be given two days to complete your graphic organizer

biome organizer key teaching resources teachers pay teachers - Dec 24 2022

web it contains comprehensive sections on overview of biomes answers to the key questions types of land biomes types of aquatic biomes key vocabulary key facts the resource is designed to be printed onto either a4 or a3 and is provided as both a pdf and a word version so that you can edit if you want to

biome graphic organizer answers - Jan 25 2023

web sep 8 2023 terrestrial biome graphic organizer type of where can what grows biome you find in what biome can you find the most diverse species of organisms 3 terrestrial biome graphic organizer 17 biome chart worksheet 8 major biomes of the world 13 pages including a quiz with answer key biome graphic organizer answers

biomes aquatic ecosystems graphic organizer answer key - Sep 20 2022

web newly uploaded documents view biomes aquatic ecosystems graphic organizer answer key pdf from history 1232 at south forsyth high school

biomes graphic organizer flashcards quizlet - Oct 02 2023

web 1 21 flashcards learn test match q chat created by amcgriff31 terms in this set 21 plants found in tundra biome plants moss labrador tea willow animals found in the tundra animals arctic fox polar bear grey fox 3 interesting facts about the tundra biome it is shrinking as permafrost melts a lot of tundra animals hibernate

biomes graphic organizer answers - May 29 2023

web aug 3 2023 biome graphic organizer answers lafashion judge terrestrial biome graphic organizer biome organizer chart graphic organizer for 3rd 6th grade lesson biome graphic organizers in 2021 graphic organizers science lessons biome graphic organizer answers lafashion judge 8 major biomes of the world 13 pages including

biomes graphic organizer answer key secure mowtampa - Mar 15 2022

web 2 biomes graphic organizer answer key 2021 04 21 biomes graphic organizer answer key downloaded from secure mowtampa org by guest kaiya rich animal babies in grasslands corwin press an essential up to date look at the critical interactions between biological diversity and climate change that will serve as an immediate call to action the

terrestrial biome graphic organizer studylib net - Jul 31 2023

web terrestrial biome graphic organizer type of where can what grows biome you find this there biome bonus create a key for this map and color the places where each biome exists related documents biome table abiotic and biotic factors of the biomes use the biomes map and online research to answer the questions environmental

terrestrial biome graphic organizer answer key copy - Feb 11 2022

web terrestrial biome graphic organizer answer key 3 3 consequently ecosystem degradation since the introduction of the aichi targets released by the convention on biological diversity cbd in 2010 the united nations have been empowered with greater influence on decision making impacting biodiversity however there

biome graphic organizers teaching resources tpt - Oct 22 2022

web these easy to use graphic organizers for 10 different biomes ecosystems are designed for students to use during a biome study each organizer asks students to identify the main characteristics of the biome its location and more when completed these make a great classroom display

biome graphic organizer with answers doc name date - Jul 19 2022

web name date class terrestrial biome graphic organizer type of biome where can you find this biome what plants flora grow there what animals fauna live there what are some abiotic non living factors what is the weather like

biome graphic organizer answers - Nov 22 2022

web sep 22 2023 web biomes graphic organizer answers biome graphic organizer biomes middle school science science lessons web or go to the answers web view biome graphic organizer doc pdf from bio misc at stone mountain high school 8 major biomes of the world 13 pages including a quiz with answer key

biomes graphic organizer fill online printable fillable blank - Jun 17 2022

web identify the different sections of the graphic organizer a biomes graphic organizer typically includes sections for key information such as the name of the biome location climate plants animals and any unique features or adaptations familiarize yourself with the layout of the graphic organizer to ensure accurate information placement

gebr anwendungsprogrammierung mit dem ab 0 01 - Aug 28 2022

web das iphone entwicklerbuch erica sadun isbn 9783827362117 dvd rom dvd romweist nur geringe stand lagerspuren auf das iphone entwicklerbuch

das iphone entwicklerbuch ebook auf cd rom sadun erica - Jun 06 2023

web das iphone entwicklerbuch ebook auf cd rom close rezepte für anwendungsprogrammierung mit dem iphone sdk reihe ebooks auf dvd autor erica

das iphone 3 0 entwicklerbuch ebook auf cd rom rezepte für - Aug 08 2023

web das iphone 3 0 entwicklerbuch ebook auf cd rom rezepte für anwendungsprogrammierung mit dem iphone 3 0 sdk amazon de musik cds

lesen von büchern in der app bücher auf dem iphone - Nov 18 2021

web buch lesen tippe unten im bildschirm auf jetzt lesen bibliothek oder suchen navigiere zu einem buch tippe auf das cover um es zu öffnen und führe dann einen

9783827362728 das iphone 3 0 entwicklerbuch ebook auf cd - Nov 30 2022

web das iphone 3 0 entwicklerbuch ebook auf cd rom finden sie alle bücher von erica sadun bei der büchersuchmaschine eurobuch ch können sie antiquarische und

das iphone entwicklerbuch ebook auf cd rom sadun erica - May 05 2023

web das iphone entwicklerbuch ebook auf cd rom finden sie alle bücher von sadun erica bei der büchersuchmaschine eurobuch com können sie antiquarische und

ibooks iphone ipad app download chip - Jan 21 2022

web ibooks iphone ipad app 3 2 deutsch die neue version von apples virtuellem bücherladen ibooks heruntergeladene ebooks lassen sich mit der gratis app direkt

das iphone entwicklerbuch ebook auf cd rom rezepte für - Jul 07 2023

web bei rebuy das iphone entwicklerbuch ebook auf cd rom rezepte für anwendungsprogrammierung mit dem iphone sdk aw

ebooks sadun erica

das iphone entwicklerbuch ebook cd rom rezepte für - Jul 27 2022

web overview das iphone entwicklerbuch ebook cd rom rezepte für anwendungsprogrammierung mit dem iphone sdk is a commercial software in the

9783827328168 das iphone entwicklerbuch sadun erica - Sep 28 2022

web das iphone entwicklerbuch finden sie alle bücher von sadun erica bei der büchersuchmaschine eurobuch com können sie antiquarische und neubücher

das iphone entwicklerbuch rezepte für - Jan 01 2023

web das iphone entwicklerbuch richtet sich direkt an diejenigen für die die programmierung des iphones etwas neues ist durch seine klar strukturierten und vollständig

das iphone 3 0 entwicklerbuch ebook auf cd rom rezepte für - Feb 02 2023

web das iphone 3 0 entwicklerbuch ebook auf cd rom rezepte für anwendungsprogrammierung mit dem iphone 3 0 sdk sadun erica amazon com au

das iphone entwicklerbuch ebook auf cd rom rezepte für - Dec 20 2021

web sep 14 2023 das iphone entwicklerbuch ebook auf cd rom rezepte für anwendungsprogrammierung mit dem iphone sdk aw ebooks by erica sadun iphone

das iphone entwicklerbuch ebook auf cd rom rezepte für - May 25 2022

web das iphone entwicklerbuch ebook auf cd rom rezepte für anwendungsprogrammierung mit dem iphone sdk aw ebooks by erica sadun

das iphone entwicklerbuch ebook auf cd rom rezepte für - Oct 30 2022

web easy you simply klick das iphone entwicklerbuch ebook auf cd rom rezepte für anwendungsprogrammierung mit dem iphone manual select code on this area including

amazon de kundenrezensionen das iphone entwicklerbuch - Mar 03 2023

web finde hilfreiche kundenrezensionen und rezensionsbewertungen für das iphone entwicklerbuch ebook auf cd rom rezepte für anwendungsprogrammierung mit

das iphone entwicklerbuch ebook auf cd rom rezept pdf copy - Apr 23 2022

web das iphone entwicklerbuch ebook auf cd rom rezept pdf pages 2 30 das iphone entwicklerbuch ebook auf cd rom rezept pdf upload herison m robertson 2 30

das iphone entwicklerbuch ebook auf cd rom rezepte für - Oct 10 2023

web das iphone entwicklerbuch ebook auf cd rom rezepte für anwendungsprogrammierung mit dem iphone sdk aw ebooks

sadun erica isbn 9783827362117 kostenloser versand für alle bücher mit versand und verkauf duch

das iphone entwicklerbuch ebook auf cd rom lesestoff - Apr 04 2023

web das iphone entwicklerbuch ebook auf cd rom rezepte für anwendungsprogrammierung mit dem iphone sdk sadun erica
isbn 9783827362117

das iphone entwicklerbuch ebook auf cd rom rezepte für - Sep 09 2023

web may 7 2009 das iphone entwicklerbuch ebook auf cd rom rezepte für anwendungsprogrammierung mit dem iphone sdk
aw ebooks sadun erica

das iphone entwicklerbuch ebook auf cd rom rezept pdf - Jun 25 2022

web das iphone entwicklerbuch ebook auf cd rom rezept introducing microsoft power bi c 10 and net 6 modern cross
platform development developing web components

ibooks pdf exportieren vom iphone auf pc übertragen imobie - Feb 19 2022

web dec 17 2021 bilder retten imessages wiederherstellen kalender wiederherstellen methode 1 Über anytrans effektiv
ibooks pdf von iphone ipad auf pc senden

verwalten von büchern in der app bücher auf dem iphone - Mar 23 2022

web hinweis wenn du download entfernen wählst sind alle mit diesem titel verbundenen inhalte und daten nicht mehr auf
deinem iphone gespeichert wenn du den titel erneut

Right here, we have countless books **Toro Parts Manual** and collections to check out. We additionally have enough money variant types and plus type of the books to browse. The welcome book, fiction, history, novel, scientific research, as capably as various supplementary sorts of books are readily nearby here.

As this Toro Parts Manual, it ends taking place monster one of the favored ebook Toro Parts Manual collections that we have. This is why you remain in the best website to see the incredible ebook to have.

https://offsite.creighton.edu/files/virtual-library/Documents/jesus_youre_my_superhero.pdf

https://offsite.creighton.edu/files/virtual-library/Documents/jon_taffer_cocktail_recipes.pdf

https://offsite.creighton.edu/files/virtual-library/Documents/jose_silva_courses.pdf

Table of Contents Toro Parts Manual

1. Understanding the eBook Toro Parts Manual
 - The Rise of Digital Reading Toro Parts Manual
 - Advantages of eBooks Over Traditional Books
2. Identifying Toro Parts Manual
 - Exploring Different Genres
 - Considering Fiction vs. Non-Fiction
 - Determining Your Reading Goals
3. Choosing the Right eBook Platform
 - Popular eBook Platforms
 - Features to Look for in an Toro Parts Manual
 - User-Friendly Interface

4. Exploring eBook Recommendations from Toro Parts Manual
 - Personalized Recommendations
 - Toro Parts Manual User Reviews and Ratings
 - Toro Parts Manual and Bestseller Lists
5. Accessing Toro Parts Manual Free and Paid eBooks
 - Toro Parts Manual Public Domain eBooks
 - Toro Parts Manual eBook Subscription Services
 - Toro Parts Manual Budget-Friendly Options
6. Navigating Toro Parts Manual eBook Formats
 - ePub, PDF, MOBI, and More
 - Toro Parts Manual Compatibility with Devices
 - Toro Parts Manual Enhanced eBook Features
7. Enhancing Your Reading Experience
 - Adjustable Fonts and Text Sizes of Toro Parts Manual
 - Highlighting and Note-Taking Toro Parts Manual
 - Interactive Elements Toro Parts Manual
8. Staying Engaged with Toro Parts Manual
 - Joining Online Reading Communities
 - Participating in Virtual Book Clubs
 - Following Authors and Publishers Toro Parts Manual
9. Balancing eBooks and Physical Books Toro Parts Manual
 - Benefits of a Digital Library
 - Creating a Diverse Reading Collection Toro Parts Manual
10. Overcoming Reading Challenges
 - Dealing with Digital Eye Strain
 - Minimizing Distractions
 - Managing Screen Time
11. Cultivating a Reading Routine Toro Parts Manual
 - Setting Reading Goals Toro Parts Manual
 - Carving Out Dedicated Reading Time

12. Sourcing Reliable Information of Toro Parts Manual
 - Fact-Checking eBook Content of Toro Parts Manual
 - Distinguishing Credible Sources
13. Promoting Lifelong Learning
 - Utilizing eBooks for Skill Development
 - Exploring Educational eBooks
14. Embracing eBook Trends
 - Integration of Multimedia Elements
 - Interactive and Gamified eBooks

Toro Parts Manual Introduction

In today's digital age, the availability of Toro Parts Manual books and manuals for download has revolutionized the way we access information. Gone are the days of physically flipping through pages and carrying heavy textbooks or manuals. With just a few clicks, we can now access a wealth of knowledge from the comfort of our own homes or on the go. This article will explore the advantages of Toro Parts Manual books and manuals for download, along with some popular platforms that offer these resources. One of the significant advantages of Toro Parts Manual books and manuals for download is the cost-saving aspect. Traditional books and manuals can be costly, especially if you need to purchase several of them for educational or professional purposes. By accessing Toro Parts Manual versions, you eliminate the need to spend money on physical copies. This not only saves you money but also reduces the environmental impact associated with book production and transportation. Furthermore, Toro Parts Manual books and manuals for download are incredibly convenient. With just a computer or smartphone and an internet connection, you can access a vast library of resources on any subject imaginable. Whether you're a student looking for textbooks, a professional seeking industry-specific manuals, or someone interested in self-improvement, these digital resources provide an efficient and accessible means of acquiring knowledge. Moreover, PDF books and manuals offer a range of benefits compared to other digital formats. PDF files are designed to retain their formatting regardless of the device used to open them. This ensures that the content appears exactly as intended by the author, with no loss of formatting or missing graphics. Additionally, PDF files can be easily annotated, bookmarked, and searched for specific terms, making them highly practical for studying or referencing. When it comes to accessing Toro Parts Manual books and manuals, several platforms offer an extensive collection of resources. One such platform is Project Gutenberg, a nonprofit organization that provides over 60,000 free eBooks. These books are primarily in the public domain, meaning they can be freely distributed and downloaded. Project Gutenberg offers a wide range of classic literature, making it

an excellent resource for literature enthusiasts. Another popular platform for Toro Parts Manual books and manuals is Open Library. Open Library is an initiative of the Internet Archive, a non-profit organization dedicated to digitizing cultural artifacts and making them accessible to the public. Open Library hosts millions of books, including both public domain works and contemporary titles. It also allows users to borrow digital copies of certain books for a limited period, similar to a library lending system. Additionally, many universities and educational institutions have their own digital libraries that provide free access to PDF books and manuals. These libraries often offer academic texts, research papers, and technical manuals, making them invaluable resources for students and researchers. Some notable examples include MIT OpenCourseWare, which offers free access to course materials from the Massachusetts Institute of Technology, and the Digital Public Library of America, which provides a vast collection of digitized books and historical documents. In conclusion, Toro Parts Manual books and manuals for download have transformed the way we access information. They provide a cost-effective and convenient means of acquiring knowledge, offering the ability to access a vast library of resources at our fingertips. With platforms like Project Gutenberg, Open Library, and various digital libraries offered by educational institutions, we have access to an ever-expanding collection of books and manuals. Whether for educational, professional, or personal purposes, these digital resources serve as valuable tools for continuous learning and self-improvement. So why not take advantage of the vast world of Toro Parts Manual books and manuals for download and embark on your journey of knowledge?

FAQs About Toro Parts Manual Books

What is a Toro Parts Manual PDF? A PDF (Portable Document Format) is a file format developed by Adobe that preserves the layout and formatting of a document, regardless of the software, hardware, or operating system used to view or print it.

How do I create a Toro Parts Manual PDF? There are several ways to create a PDF: Use software like Adobe Acrobat, Microsoft Word, or Google Docs, which often have built-in PDF creation tools. Print to PDF: Many applications and operating systems have a "Print to PDF" option that allows you to save a document as a PDF file instead of printing it on paper. Online converters: There are various online tools that can convert different file types to PDF.

How do I edit a Toro Parts Manual PDF? Editing a PDF can be done with software like Adobe Acrobat, which allows direct editing of text, images, and other elements within the PDF. Some free tools, like PDFescape or Smallpdf, also offer basic editing capabilities.

How do I convert a Toro Parts Manual PDF to another file format? There are multiple ways to convert a PDF to another format: Use online converters like Smallpdf, Zamzar, or Adobe Acrobat's export feature to convert PDFs to formats like Word, Excel, JPEG, etc. Software like Adobe Acrobat, Microsoft Word, or other PDF editors may have options to export or save PDFs in different formats. **How do I password-protect a Toro Parts Manual PDF?** Most PDF editing software allows you to add

password protection. In Adobe Acrobat, for instance, you can go to "File" -> "Properties" -> "Security" to set a password to restrict access or editing capabilities. Are there any free alternatives to Adobe Acrobat for working with PDFs? Yes, there are many free alternatives for working with PDFs, such as: LibreOffice: Offers PDF editing features. PDFsam: Allows splitting, merging, and editing PDFs. Foxit Reader: Provides basic PDF viewing and editing capabilities. How do I compress a PDF file? You can use online tools like Smallpdf, ILovePDF, or desktop software like Adobe Acrobat to compress PDF files without significant quality loss. Compression reduces the file size, making it easier to share and download. Can I fill out forms in a PDF file? Yes, most PDF viewers/editors like Adobe Acrobat, Preview (on Mac), or various online tools allow you to fill out forms in PDF files by selecting text fields and entering information. Are there any restrictions when working with PDFs? Some PDFs might have restrictions set by their creator, such as password protection, editing restrictions, or print restrictions. Breaking these restrictions might require specific software or tools, which may or may not be legal depending on the circumstances and local laws.

Find Toro Parts Manual :

jesus youre my superhero

jon taffer cocktail recipes

jose silva courses

journal prompts for high schoolers

karel capek sci fi play

jocko willink leadership strategy and tactics pdf

jennie finch swim

jimi hendrix manager mi6

johnson 6 hp outboard motor

jones and bartlett firefighter 4th edition pdf

joe dispenza evolve your brain pdf

john deere 110 backhoe loader

john maxwell teamwork

juicing diet for cancer

jewish girl in attic

Toro Parts Manual :