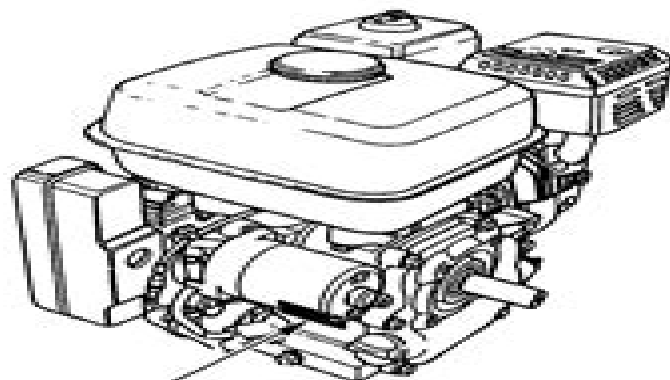


HONDA

GX120 · GX160 · GX200



Serial number and
engine type

OWNER'S MANUAL

32ZH7620
00X32-ZH7-6201

1

HONDA EUROPE N.V. (EEC)
www.honda-engines-eu.com



Honda Gx200 Engine Service Manual

RM Cervero



Honda Gx200 Engine Service Manual

Honda Service Manual 86-87 XR200R. ,1986 *Honda Service Manual 86 XT200R.* ,1986 **Honda MBX & MTX 125 & MTX 200, '83-'93** Haynes Publishing,2018-05-01 Each Haynes manual provides specific and detailed instructions for performing everything from basic maintenance and troubleshooting to a complete overhaul of the machine in this case the Honda MBX troubleshooting lubrication and routine maintenance engine top end engine lower end primary drive clutch and external shift mechanism transmission and internal shift mechanism engine management system electrical system wheels tires and drivebelt front suspension and steering rear suspension brakes body and color wiring diagrams An index makes the manual easy to navigate Honda Common Service Manual American Honda Motor Company,1990 **Honda Service Manual, 84-87** Honda Giken Kōgyō Kabushiki Kaisha,1986 **Honda Service Manual 86-87 TR200 Fatcat** ,1986 **Honda Service Manual, 86** Honda Giken Kōgyō Kabushiki Kaisha,1986 *Honda Service Manual, 85-87 XR600R.* ,1986 **Honda Service Manual, 85-86 XR600R.** ,1986 Honda Service Manual 86-88,90 XR200R ,1989 **Honda Service Manual 90 TRX200** ,1990 **Honda Service Manual, 88-89, 91-95 VT600C, CD, Shadow VLX.** ,1994 **Honda Service Manual** ,1994 Honda CG125 Owners Workshop Manual Pete Shoemark,Jeremy Churchill,2001-01-01 *Honda Service Manual* ,1987 **Honda Service Manual, 85-87** Honda Giken Kōgyō Kabushiki Kaisha,1986 *Honda Service Manual* ,1995 *Honda Service Manual 86-87 ATC 200X.* ,1986 Honda Service Manual 90-91 TRX200, 91-92 TRX200D. ,1991 **Honda Service Manual 86-87 CMX450C** ,1986

mathematical modeling and computation in finance with - May 06 2022

web mathematical modeling and computation in finance with exercises and python and matlab computer codes discusses the interplay of stochastics applied probability theory and numerical analysis in the field of quantitative finance

mathematical modeling and computation in finance - Aug 09 2022

web oct 14 2019 mathematical modeling and computation in finance c oosterlee l grzelak published 14 october 2019

economics this book discusses the interplay of stochastics applied probability theory and numerical analysis in the

mathematical modeling and computation in finance with - May 18 2023

web oct 29 2019 mathematical modeling and computation in finance with exercises and python and matlab computer codes cornelis w oosterlee lech a grzelak world scientific oct 29 2019 business economics

financial modelling and computation mathematical modelling - Jan 14 2023

web the financial modelling and computation research team aims to bring together complementary expertise in financial

mathematics financial economics computer science and data statistics to undertake multi disciplinary research projects in quantitative finance and solve problems in business and financial industry

mathematical modeling and computation in finance with - Sep 10 2022

web oct 14 2019 mathematical modeling and computation in finance with exercises and python and matlab computer codes
cornelis w oosterlee lech a grzelak 4 00 1 rating0 reviews this book discusses the interplay of stochastics applied probability theory and numerical analysis in the field of quantitative finance

mathematical modeling and computation in finance with exerc - Mar 04 2022

web mathematical modeling and computation in finance with exercises and python and matlab computer codes quantitative finance taylor francis journals vol 22 11 pages 1971 1972 november handle repec taf quantf v 22 y 2022 i 11 p 1971 1972 doi 10 1080 14697688 2022 2117641 as downloadable with restrictions

pdf mathematical models in finance researchgate - Nov 12 2022

web jan 1 2007 in this paper we illustrate the interplay between mathematics and finance pointing out the relevance of stochastic calculus and mathematical modelling in some important aspects of modern finance

mathematical modeling and computation in finance google books - Dec 13 2022

web oct 14 2019 this book discusses the interplay of stochastics applied probability theory and numerical analysis in the field of quantitative finance the stochastic models numerical valuation techniques

mathematical modeling and computation in finance - Jul 20 2023

web recommend to library supplementary this webpage provides resources to instructors who adopt this textbook for their courses adopting instructors can print and copy portions of these resources solely for their teaching needs all instructional resources are furnished for informational use only and are subject to change without notice

mathematical modelling and algorithms in finance hindawi - Feb 15 2023

web feb 21 2014 the main focus of this special issue will be on the state of the art advances in the studies of mathematical modeling and algorithms to the financial management problems such as asset allocation portfolio selection currency hedging hedge fund strategies asset liability management asset pricing and optimal trading strategies

financial engineering and computation mathematical finance - Mar 16 2023

web students and professionals intending to work in any area of finance must master not only advanced concepts and mathematical models but also learn how to implement these models computationally this comprehensive text first published in 2002 combines the theory and mathematics behind financial engineering with an emphasis on

mathematical modeling and computation in finance with exercises - Jun 07 2022

web dec 12 2019 the stochastic models numerical valuation techniques computational aspects financial products and risk

management applications presented will enable readers to progress in the challenging field of computational finance

pdf mathematical modeling and computation in finance - Sep 22 2023

web dec 1 2019 mathematical modeling and computation in finance with exercises and python and matlab computer codes

publisher world scientific authors cornelis w oosterlee utrecht university lech grzelak

full article mathematical modeling and computation in finance - Aug 21 2023

web oct 6 2022 the book mathematical modeling and computation in finance with exercises and python and matlab

computer codes by c w oosterlee and l a grzelak has caught our attention because of its strikingly innovative way of

integrating different sources of media as well as a programming sandbox into its teaching materials

special issue recent advances on nonlinear models in mathematical finance - Oct 11 2022

web oct 31 2022 robust techniques of numerical analysis and computation are also required the aim of this special issue is

to contribute to the enrichment of mathematical finance by broadening the knowledge of this area with research papers on

the following potential topics stochastic analysis and control theory in finance

github lechgrzelak quantfinancebook quantitative finance - Jul 08 2022

web quantfinancebook book mathematical modeling and computation in finance with exercises and python and matlab

computer codes here you will find all the matlab and python codes for the book please feel free to comment on the codes

improve them and share with others

mathematical modeling and computation in finance with exercises - Apr 05 2022

web buy mathematical modeling and computation in finance with exercises and python and matlab computer codes by

cornelis w oosterlee lech a grzelak isbn 9781786347947 from amazon s book store everyday low

mathematical modeling and computation in finance - Oct 23 2023

web mathematical modeling and computation in finance with exercises and python and matlab computer codes doi org 10

1142 q0236 november 2019 pages 576 by author cornelis w oosterlee centrum wiskunde informatica cwi the netherlands

delft university of technology the netherlands and

mathematical modeling and computation in finance with - Apr 17 2023

web mathematical modeling and computation in finance with exercises and python and matlab computer codes discusses the

interplay of stochastics applied probability theory and numerical analysis in the field of quantitative finance

financial mathematics definition example use - Jun 19 2023

web financial mathematics describes the application of mathematics and mathematical modeling to solve financial problems

it is sometimes referred to as quantitative finance financial engineering and computational finance

l abbaye truquée tome 22 de la série de bd spirou et fantasio - Jun 13 2023

web nov 9 1972 l abbaye truquée tome 22 de la série de bd spirou et fantasio de fournier dupuis tous publics Éditions dupuis feuilletez gratuitement cette bd en ligne le triangle enlève itoh kata spirou et fantasio partent à son secours

spirou et fantasio tome 22 l abbaye truquée - Apr 30 2022

web site to start getting this info get the spirou et fantasio tome 22 l abbaye truquée belong to that we provide here and check out the link you could purchase guide spirou et fantasio tome 22 l abbaye truquée or get it as soon as feasible you could quickly download this spirou et fantasio tome 22 l abbaye truquée after getting deal

spirou fantasio tome l abbaye abebooks - Feb 09 2023

web spirou et fantasio tome 22 l abbaye truquée de fournier et d autres livres articles d art et de collection similaires disponibles sur abebooks fr

spirou et fantasio tome 22 l abbaye truquée amazon fr - May 12 2023

web livres adolescents bandes dessinées neuf 10 95 tous les prix incluent la tva retours gratuits livraison à 0 01 mercredi 29 mars détails ou livraison accélérée demain 26 mars commandez dans les 8 h 29 min détails entrez votre adresse il ne reste plus que 7 exemplaire s en stock d autres exemplaires sont en cours d acheminement

spirou et fantasio tome 22 l abbaye truquée pdf uniport edu - Feb 26 2022

web mar 20 2023 spirou et fantasio tome 22 l abbaye truquée belong to that we find the money for here and check out the link you could purchase guide spirou et fantasio tome 22 l abbaye truquée or acquire it as soon as feasible you could speedily download this spirou et fantasio tome 22 l abbaye truquée after getting deal so

spirou et fantasio tome 22 l abbaye truquée abebooks france - Dec 07 2022

web spirou et fantasio tome 22 l abbaye truquée sur abebooks fr isbn 10 2800100249 isbn 13 9782800100241 dupuis 1972 couverture rigide

spirou et fantasio tome 22 l abbaye truquée by fournier - Apr 11 2023

web bd spirou et fantasio tome 22 l abbaye truquée lui attribuant une note moyenne de 3 43 5 la chronique bd ci dessus est prise en pte dans le calcul de cette moyenne

spirou et fantasio tome 22 l abbaye truquée pdf - Jan 28 2022

web spirou et fantasio tome 22 l abbaye truquée pdf upload mita e williamson 2 21 downloaded from old oasisla org on january 5 2023 by mita e williamson benny breakiron 1 peyo 2013 06 18 peyo creator of the smurfs brings everybody s childhood fantasy to life in this charming graphic novel series benny breakiron is an honest

spirou et fantasio tome 22 l abbaye truquée - Nov 06 2022

web spirou et fantasio tome 22 l abbaye truquée in flanders fields may 14 2022 an eloquent counterpoint to the senselessness and inhumanity of war in flanders fields tells the story of a young homesick world war i soldier who risks his

life to cross the no man s land and rescue a robin caught in the barbed wire that separates the opposing

spirou et fantasio tome 22 l abbaye truqua c e pdf pdf - Aug 03 2022

web mar 20 2023 spirou et fantasio tome 22 l abbaye truqua c e pdf is available in our digital library an online access to it is set as public so you can get it instantly our digital library spans in multiple locations allowing you to get the most less latency time to download any of our books like this one

spirou et fantasio tome 22 l abbaye truquée by fournier - Dec 27 2021

web april 22nd 2020 c est spirou qui sera cet été l invité 2018 de l abbaye de caunes minervois dans l aude l exposition se tiendra du 4 mai au 30 décembre velhman tome et janry spirou et fantasio t54 l

spirou et fantasio tome 22 l abbaye truquée hardcover - Jan 08 2023

web 3 3 avg rating 141 ratings by goodreads hardcover isbn 10 2800100249 isbn 13 9782800100241 publisher dupuis 1986 view all copies of this isbn edition synopsis le triangle enlève itoh kata spirou et fantasio partent à son secours

spirou et fantasio tome 22 l abbaye truquée by fournier - Mar 30 2022

web spirou et fantasio 22 l abbaye truque par jean claude spirou et fantasio 99 tomes hd pdf bd multi bd s spirou et fantasio tome 22 l abbaye truque fr spirou amp fantasio spirou amp fantasio l abbaye truque editions black and spirou s expose l abbaye de caunes minervois pour 2018 spirou et fantasio les albums bedetheque

spirou et fantasio tome 22 l abbaye truquée babelio - Jul 14 2023

web spirou et fantasio c est un grand classique de la bd et pourtant je n en avais lu aucun album en tout cas pas que je me souviens commencer avec le tome 22 n est pas forcément la meilleure des idées l album fait références à des aventures vécues dans les tomes précédents mais la petite enquête relatée est tout de même assez

spirou et fantasio tome 22 l abbaye truquee french - Mar 10 2023

web mar 26 2010 spirou et fantasio tome 22 l abbaye truquee french edition kindle edition by fournier fournier download it once and read it on your kindle device pc phones or tablets use features like bookmarks note taking and highlighting while reading spirou et fantasio tome 22 l abbaye truquee french edition

spirou et fantasio tome 22 l abbaye truqua c e pdf - Jun 01 2022

web may 9 2023 spirou et fantasio tome 22 l abbaye truqua c e 1 6 downloaded from uniport edu ng on may 9 2023 by guest spirou et fantasio tome 22 l abbaye truqua c e recognizing the pretension ways to get this books spirou et fantasio tome 22 l abbaye truqua c e is additionally useful you have remained in right site to begin getting this info

spirou et fantasio tome 22 l abbaye truquée by fournier - Oct 05 2022

web spirou et fantasio tome 22 l abbaye truque fr spirou et fantasio wikipdia spirou et fantasio tome 36 l horloger de la te spirou et fantasio tome 22 l abbaye truque fournier spirou et fantasio t22 l abbaye truquee lire en ligne l abbaye truque

spirou et fantasio bd tome 22 1972 spirou et fantasio page 2 bd classique livre

[spirou et fantasio 22 l abbaye truquée bedetheque](#) - Aug 15 2023

web jul 9 2001 toutes les éditions de cet album 22 l abbaye truquée identifiant 2776 scénario fournier jean claude dessin

fournier jean claude couleurs fournier jean claude dépôt légal 01 1972

[spirou et fantasio tome 22 l abbaye truqua c e download only](#) - Jul 02 2022

web spirou et fantasio tome 22 l abbaye truqua c e spirou fantasio volume 12 who will stop cyanide jun 14 2021 spirou and fantasio are hired by a doctor to escort some of his patients their ailment an apparently incurable case of the hiccups his solution send them on the most insane adventure ever and scare the hiccups out of them

[spirou et fantasio tome 22 l abbaye truquée bd au e](#) - Sep 04 2022

web spirou et fantasio tome 22 l abbaye truquée bd achat en ligne au meilleur prix sur e leclerc retrait gratuit dans de 700 magasins

20 best and happiest sunflower quotes poems and sayings - Oct 22 2022

web find an answer to your question give 5 sentences on sunflower coolmukil9756 coolmukil9756 04 08 2018 english

secondary school answered give 5 sentences on

use sunflower in a sentence translateen com - Jul 19 2022

web the present simple verb tense is useful for indicating routine or usual states here are 10 sentences about flowers using the present simple i plant lilies in my garden each year

10 lines on sunflower in english essay on sunflower youtube - May 17 2022

web oct 3 2021 100k views 1 year ago learn to write an essay on sunflower in english recommended videos more more

5 sentence about sunflower in english brainly in - May 29 2023

web this wild sunflower of the plains is believed to be the original parent of the large sunflower of our gardens she lifted her arm and began to pull the petals from a tiny sunflower that

[10 lines essay on sunflower smart english notes](#) - Apr 15 2022

web decoding write five sentences for sunflower revealing the captivating potential of verbal expression in a time characterized by interconnectedness and an insatiable thirst

[sunflower definition and meaning collins english](#) - Nov 22 2022

web jul 30 2019 home sentence examples sunflower in a sentence use sunflower in a sentence sunflower sentence examples sentence count 500 posted 2019 07 30

[sunflower in a sentence short example sentence for sunflower](#) - Mar 27 2023

web 1 sheashells seashells order large arrangements featuring driftwood starfish sunflowers margarita glasses and more 2 1

confetti in shapes like sunflowers and

give 5 sentences on sunflower brainly in - Jun 17 2022

web sunflowers those magnificent blooms that embody the essence of summer are well loved and recognizable plants

standing tall with bright golden petals surrounding a dark

write five sentences for sunflower uniport edu - Nov 10 2021

examples of sunflower in a sentence yourdictionary com - Oct 02 2023

web sunflower sentence examples sunflower meanings synonyms sentences the sunflower genus of which there are several 119 45 here also amongst other plants the sunflower decorates village gardens 83 42 sunflower seeds are a truly nutritional food

10 lines on sunflower for students children in english - Jul 31 2023

web dec 26 2017 five sentences are it looks like a sun when it fully grows it faces towards sun in day time it needs daylight for development it has bright petals it is yearly

20 best words to describe sunflowers adjectives for sunflowers - Feb 11 2022

sunflower in a sentence 99 example sentences sentence - Feb 23 2023

web ah sunflower by william blake ah sunflower weary of time who countest the steps of the sun seeking after that sweet golden clime where the traveller s journal done where

example sentences with sunflower power thesaurus - Aug 20 2022

web apr 1 2023 7 01 the road not taken summary in english class 9th 1 25 analysis of snowdrop poem by ted hughes

110 sentences about flowers to inspire your writing - Mar 15 2022

web may 28 2023 write five sentences for sunflower 1 8 downloaded from uniport edu ng on may 28 2023 by guest write five sentences for sunflower thank you very much

10 lines on sunflower in english for children and students - Sep 20 2022

web 29k views 1 year ago 10 lines on sunflower in english sunflower flower flowers paragraph essay writing handwriting essaywriting show more 58k views 12

sunflower essay in english 10 lines short essay on sunflower - Jan 13 2022

examples of sunflower in a sentence collins english sentences - Apr 27 2023

web sunflower seeds and flaxseeds are packed with nutrients 27 it had been every shade of this hue over the years pearl

white as an exotic dancer sunflower yellow as a glamour

examples of sunflowers in a sentence yourdictionary com - Dec 24 2022

web sunflower niger safflower and millet are popular attractors they wouldn't give me any sunflower seeds use oils such as sunflower safflower olive and canola

the word sunflower in example sentences page 1 - Jun 29 2023

web sentences english dictionary grammar examples of sunflower in a sentence go to the dictionary page of sunflower examples from the collins corpus these examples have

sunflower simple english wikipedia the free - Jan 25 2023

web sep 12 2023 2 each flower of sunflower has 35 to 80 petals 3 typically the sunflower is yellow but there are some breeds of sunflower with different colours including orange

5 lines on sunflower english summary - Sep 01 2023

web copyright 2014 by charles kelly

write five sentences for sunflower book wp publish - Dec 12 2021

Eventually, you will completely discover a new experience and talent by spending more cash. still when? complete you endure that you require to get those all needs in imitation of having significantly cash? Why dont you attempt to acquire something basic in the beginning? Thats something that will lead you to understand even more nearly the globe, experience, some places, bearing in mind history, amusement, and a lot more?

It is your entirely own get older to feint reviewing habit. in the midst of guides you could enjoy now is **Honda Gx200 Engine Service Manual** below.

https://offsite.creighton.edu/files/virtual-library/Documents/haven_gelato_southport_nc.pdf

https://offsite.creighton.edu/files/virtual-library/Documents/henna_traditional_design.pdf

https://offsite.creighton.edu/files/virtual-library/Documents/harry_and_david_quiche_cooking_instructions.pdf

Table of Contents Honda Gx200 Engine Service Manual

1. Understanding the eBook Honda Gx200 Engine Service Manual
 - The Rise of Digital Reading Honda Gx200 Engine Service Manual
 - Advantages of eBooks Over Traditional Books
2. Identifying Honda Gx200 Engine Service Manual
 - Exploring Different Genres
 - Considering Fiction vs. Non-Fiction
 - Determining Your Reading Goals
3. Choosing the Right eBook Platform
 - Popular eBook Platforms
 - Features to Look for in an Honda Gx200 Engine Service Manual

- User-Friendly Interface
- 4. Exploring eBook Recommendations from Honda Gx200 Engine Service Manual
 - Personalized Recommendations
 - Honda Gx200 Engine Service Manual User Reviews and Ratings
 - Honda Gx200 Engine Service Manual and Bestseller Lists
- 5. Accessing Honda Gx200 Engine Service Manual Free and Paid eBooks
 - Honda Gx200 Engine Service Manual Public Domain eBooks
 - Honda Gx200 Engine Service Manual eBook Subscription Services
 - Honda Gx200 Engine Service Manual Budget-Friendly Options
- 6. Navigating Honda Gx200 Engine Service Manual eBook Formats
 - ePub, PDF, MOBI, and More
 - Honda Gx200 Engine Service Manual Compatibility with Devices
 - Honda Gx200 Engine Service Manual Enhanced eBook Features
- 7. Enhancing Your Reading Experience
 - Adjustable Fonts and Text Sizes of Honda Gx200 Engine Service Manual
 - Highlighting and Note-Taking Honda Gx200 Engine Service Manual
 - Interactive Elements Honda Gx200 Engine Service Manual
- 8. Staying Engaged with Honda Gx200 Engine Service Manual
 - Joining Online Reading Communities
 - Participating in Virtual Book Clubs
 - Following Authors and Publishers Honda Gx200 Engine Service Manual
- 9. Balancing eBooks and Physical Books Honda Gx200 Engine Service Manual
 - Benefits of a Digital Library
 - Creating a Diverse Reading Collection Honda Gx200 Engine Service Manual
- 10. Overcoming Reading Challenges
 - Dealing with Digital Eye Strain
 - Minimizing Distractions
 - Managing Screen Time
- 11. Cultivating a Reading Routine Honda Gx200 Engine Service Manual
 - Setting Reading Goals Honda Gx200 Engine Service Manual

- Carving Out Dedicated Reading Time
- 12. Sourcing Reliable Information of Honda Gx200 Engine Service Manual
 - Fact-Checking eBook Content of Honda Gx200 Engine Service Manual
 - Distinguishing Credible Sources
- 13. Promoting Lifelong Learning
 - Utilizing eBooks for Skill Development
 - Exploring Educational eBooks
- 14. Embracing eBook Trends
 - Integration of Multimedia Elements
 - Interactive and Gamified eBooks

Honda Gx200 Engine Service Manual Introduction

Free PDF Books and Manuals for Download: Unlocking Knowledge at Your Fingertips In today's fast-paced digital age, obtaining valuable knowledge has become easier than ever. Thanks to the internet, a vast array of books and manuals are now available for free download in PDF format. Whether you are a student, professional, or simply an avid reader, this treasure trove of downloadable resources offers a wealth of information, conveniently accessible anytime, anywhere. The advent of online libraries and platforms dedicated to sharing knowledge has revolutionized the way we consume information. No longer confined to physical libraries or bookstores, readers can now access an extensive collection of digital books and manuals with just a few clicks. These resources, available in PDF, Microsoft Word, and PowerPoint formats, cater to a wide range of interests, including literature, technology, science, history, and much more. One notable platform where you can explore and download free Honda Gx200 Engine Service Manual PDF books and manuals is the internet's largest free library. Hosted online, this catalog compiles a vast assortment of documents, making it a veritable goldmine of knowledge. With its easy-to-use website interface and customizable PDF generator, this platform offers a user-friendly experience, allowing individuals to effortlessly navigate and access the information they seek. The availability of free PDF books and manuals on this platform demonstrates its commitment to democratizing education and empowering individuals with the tools needed to succeed in their chosen fields. It allows anyone, regardless of their background or financial limitations, to expand their horizons and gain insights from experts in various disciplines. One of the most significant advantages of downloading PDF books and manuals lies in their portability. Unlike physical copies, digital books can be stored and carried on a single device, such as a tablet or smartphone, saving valuable space and weight. This convenience makes it possible for readers to have their entire library at their fingertips, whether they are commuting, traveling, or simply enjoying a lazy afternoon at home.

Additionally, digital files are easily searchable, enabling readers to locate specific information within seconds. With a few keystrokes, users can search for keywords, topics, or phrases, making research and finding relevant information a breeze. This efficiency saves time and effort, streamlining the learning process and allowing individuals to focus on extracting the information they need. Furthermore, the availability of free PDF books and manuals fosters a culture of continuous learning. By removing financial barriers, more people can access educational resources and pursue lifelong learning, contributing to personal growth and professional development. This democratization of knowledge promotes intellectual curiosity and empowers individuals to become lifelong learners, promoting progress and innovation in various fields. It is worth noting that while accessing free Honda Gx200 Engine Service Manual PDF books and manuals is convenient and cost-effective, it is vital to respect copyright laws and intellectual property rights. Platforms offering free downloads often operate within legal boundaries, ensuring that the materials they provide are either in the public domain or authorized for distribution. By adhering to copyright laws, users can enjoy the benefits of free access to knowledge while supporting the authors and publishers who make these resources available. In conclusion, the availability of Honda Gx200 Engine Service Manual free PDF books and manuals for download has revolutionized the way we access and consume knowledge. With just a few clicks, individuals can explore a vast collection of resources across different disciplines, all free of charge. This accessibility empowers individuals to become lifelong learners, contributing to personal growth, professional development, and the advancement of society as a whole. So why not unlock a world of knowledge today? Start exploring the vast sea of free PDF books and manuals waiting to be discovered right at your fingertips.

FAQs About Honda Gx200 Engine Service Manual Books

How do I know which eBook platform is the best for me? Finding the best eBook platform depends on your reading preferences and device compatibility. Research different platforms, read user reviews, and explore their features before making a choice. Are free eBooks of good quality? Yes, many reputable platforms offer high-quality free eBooks, including classics and public domain works. However, make sure to verify the source to ensure the eBook credibility. Can I read eBooks without an eReader? Absolutely! Most eBook platforms offer web-based readers or mobile apps that allow you to read eBooks on your computer, tablet, or smartphone. How do I avoid digital eye strain while reading eBooks? To prevent digital eye strain, take regular breaks, adjust the font size and background color, and ensure proper lighting while reading eBooks. What the advantage of interactive eBooks? Interactive eBooks incorporate multimedia elements, quizzes, and activities, enhancing the reader engagement and providing a more immersive learning experience. Honda Gx200 Engine Service Manual is one of the best book in our library for free trial. We provide copy of Honda Gx200 Engine Service Manual in digital

format, so the resources that you find are reliable. There are also many Ebooks of related with Honda Gx200 Engine Service Manual. Where to download Honda Gx200 Engine Service Manual online for free? Are you looking for Honda Gx200 Engine Service Manual PDF? This is definitely going to save you time and cash in something you should think about.

Find Honda Gx200 Engine Service Manual :

haven gelato southport nc

henna traditional design

harry and david quiche cooking instructions

hip-hop star beyonce

haunting adeline book 2 pdf

holographic manipulation therapy

heart bones colleen hoover ending

holland meaning slang

hatchet figurative language

hazmat endorsement test florida

health disclaimer examples

heathkit sb-102 manual

hebrew for beginners pdf

high school volleyball practice plans

hikes portland oregon

Honda Gx200 Engine Service Manual :