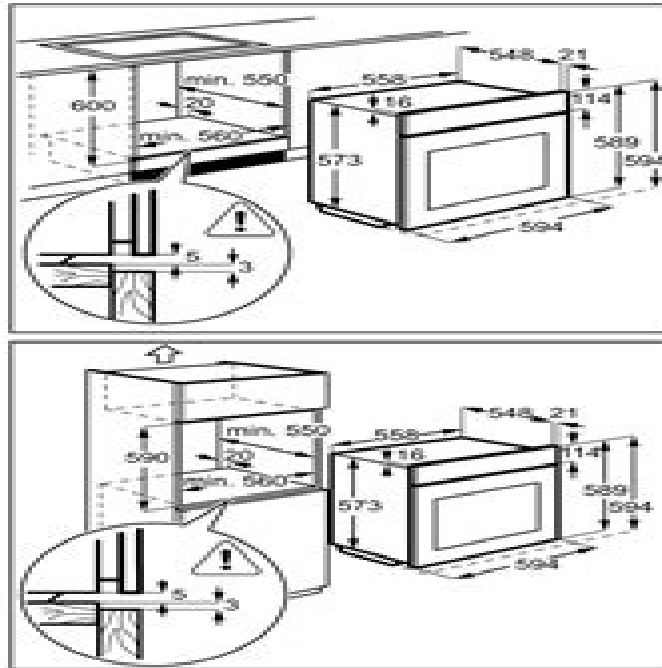


12. INSTALLATION

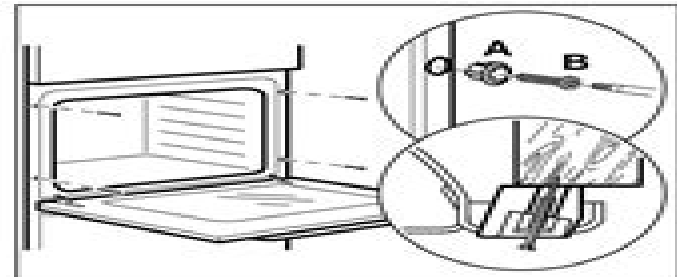


WARNING!
Refer to Safety chapters.

12.1 Building In



12.2 Securing the appliance to the cabinet



12.3 Electrical installation



The manufacturer is not responsible if you do not follow the safety precautions from the Safety chapters.

This appliance is supplied without a main plug and a main cable.

Applicable types of cables for Europe:

- Minimum size Cable / flex: 1,5 mm²
- Cable / flex type: H07 RN-F, H05 RN-F, H05 RRF, H05 W-F, H05 V2V2-F (T90), H05 BB-F

Applicable types of cables for UK only

Connection via	Min. size cable / flex	Cable / flex type	Fuse
Oven Control Circuit	2,5 mm ²	PVC / PVC twin and earth	15 A min. 20 A max.

13. ENERGY EFFICIENCY

13.1 Product Fiche and information according to EU 65-66/2014

Supplier's name	AEG
Model identification	BP300311KM

Aeg Manuals Online

Martin Bodo



Aeg Manuals Online

How to Live a Low-Carbon Life Christopher Goodall, 2012-05-04 Drastic reduction of carbon emissions is vital if we are to avoid a catastrophe that devastates large parts of the world Governments and businesses have been slow to act individuals need to take the lead now if we are to avoid climate chaos Each Westener is responsible for an average 10 20 tonnes of carbon emissions each year depending on where you live In *How to Live a Low Carbon Life* Chris Goodall shows how easy it is to take responsibility providing a comprehensive one stop reference guide to calculating your CO2 emissions and reducing them to a more sustainable 2 tonnes a year

Balance of Payments Manual International Monetary Fund, 2005-11-16 The fifth edition of *Balance of Payments Manual* issued in 1993 presents revised and updated standards for concepts definitions classifications and conventions for compilation of balance of payments and international investment position statistics that reflect the widespread changes that have taken place in international transactions since the fourth edition was published in 1977 As the international standard the Manual serves as a guide for IMF member countries that regularly report balance of payments data to the IMF The Manual contains significantly expanded and restructured coverage of financial flows and stocks and international transactions in services Harmonization with the System of National Accounts and other IMF statistical systems is also greatly increased See also companion volumes the *Balance of Payments Compilation Guide* and the *Balance of Payments Textbook*

The Washing Machine Manual Graham Dixon, 1992

Asbog Exam Secrets Study Guide: Asbog Test Review for the National Association of State Boards of Geology Examination Asbog Exam Secrets Test Prep, 2018-04-12 ASBOG Exam Secrets helps you ace the National Association of State Boards of Geology Examination without weeks and months of endless studying Our comprehensive ASBOG Exam Secrets study guide is written by our exam experts who painstakingly researched every topic and concept that you need to know to ace your test Our original research reveals specific weaknesses that you can exploit to increase your exam score more than you ve ever imagined ASBOG Exam Secrets includes The 5 Secret Keys to ASBOG Exam Success Time is Your Greatest Enemy Guessing is Not Guesswork Practice Smarter Not Harder Prepare Don t Procrastinate Test Yourself A comprehensive General Strategy review including Make Predictions Answer the Question Benchmark Valid Information Avoid Fact Traps Milk the Question The Trap of Familiarity Eliminate Answers Tough Questions Brainstorm Read Carefully Face Value Prefixes Hedge Phrases Switchback Words New Information Time Management Contextual Clues Don t Panic Pace Yourself Answer Selection Check Your Work Beware of Directly Quoted Answers Slang Extreme Statements Answer Choice Families Comprehensive sections including Field Methods Geophysics Modeling Types of Faults Law of Initial Horizontality Radiometric Methods Rule of V s Geomorphic Characteristics of a Fault Orogenic Events Field Investigations Ground Penetrating Radar GPR Snell s Law Spontaneous Potential SP Gamma Radiation Side Looking Airborne Radar SLAR Hydrogeology Environmental Geochemistry Porosity and

Permeability Containment of Water in Underground Structures Hydrogeological Investigation Hydrologic Budget Equation Ground water Inventory Equation Bernoulli Equation Aquifers Porosity Values of Specific Yield Storativity or Storage coefficient Transmissivity Bailer Test The Theis Equation and Method Dupuit Equation Ground Water Studies and much more

Sheet Metal Workers' Manual Louis Broemel,1918 *DSCA Handbook* United States. Department of Defense,2010

This two in one resource includes the Tactical Commanders and Staff Toolkit plus the Liaison Officer Toolkit Defense Support of Civil Authorities DSCA enables tactical level Commanders and their Staffs to properly plan and execute assigned DSCA missions for all hazard operations excluding Chemical Biological Radiological Nuclear high yield Explosives CBRNE or acts of terrorism Applies to all United States military forces including Department of Defense DOD components Active and Reserve forces and National Guard when in Federal Status This hand on resource also may be useful information for local and state first responders Chapter 1 contains background information relative to Defense Support of Civil Authorities DSCA including legal doctrinal and policy issues Chapter 2 provides an overview of the incident management processes including National Response Framework NRF National Incident Management Systems NIMS and Incident Command System ICS as well as Department of Homeland Security DHS Chapter 3 discusses the civilian and military responses to natural disaster Chapter 4 provides a brief overview of Joint Operation Planning Process and mission analysis Chapter 5 covers Defense Support of Civilian Authorities DSCA planning factors for response to all hazard events Chapter 6 is review of safety and operational composite risk management processes Chapters 7 11 contain Concepts of Operation CONOPS and details five natural hazards disasters and the pertinent planning factors for each within the scope of DSCA

Oil and Gas Production

Handbook: An Introduction to Oil and Gas Production Havard Devold,2013 *Musical Sound Effects* Jean-Michel Réveillac,2017-12-27 For decades performers instrumentalists composers technicians and sound engineers continue to manipulate sound material They are trying with more or less success to create to innovate improve enhance restore or modify the musical message The sound of distorted guitar of Jimi Hendrix Pierre Henry s concrete music Pink Floyd s rock psychedelic Kraftwerk s electronic music Daft Punk and rap T Pain have let emerge many effects reverb compression distortion auto tune filter chorus phasing etc The aim of this book is to introduce and explain these effects and sound treatments by addressing their theoretical and practical aspects

Eurostat-OECD Methodological Manual on

Purchasing Power Parities (2012 Edition) OECD,Eurostat,2012-11-30 This manual gives a complete detailed and up to date description of the Eurostat OECD PPP Programme including its organisation the various surveys carried out by participating countries and the ways PPPs are calculated and disseminated It also provides guidance on the use of PPPs

Air University Au-1 Style and Author Guide Air University Staff,2005-04 The Style Guide part one of this publication provides guidance to Air University s community of writers It offers a coherent consistent stylistic base for writing and editing The Author Guide part two of this publication offers simple concise instructions to writers who wish to submit a

manuscript to AUPress for consideration **Handbook of Air Conditioning and Refrigeration** Shan K. Wang,2000-11-07
A broad range of disciplines energy conservation and air quality issues construction and design and the manufacture of
temperature sensitive products and materials is covered in this comprehensive handbook Provide essential up to date HVAC
data codes standards and guidelines all conveniently located in one volume A definitive reference source on the design
selection and operation of A C and refrigeration systems Commerce Business Daily ,2001-07 *The New Fast Food* Jill
Nussinow,2011-10-20 A Pressure Cooker Can Change Your Life Discover how you can make delicious meals in minutes using
just one pot Let Jill The Veggie Queen TM show you how easy and safe it is to make flavorful healthy plant based meals with
vegetables grains beans and other legumes and fruit With a pressure cooker you can save time and money lock in flavor and
nutrition decrease your energy costs and avoid a messy kitchen with only one pot to clean Jill will show you how you can cut
cooking time in half or more compared to conventional stove top cooking In The New Fast Food TM you ll learn how to
choose and use a pressure cooker with timing charts for your favorite plant foods You ll also find more than 100 recipes for
everything from breakfast to dessert Most of the recipes are gluten free and all are vegan The New Fast Food TM offers fast
colorful and tasty dishes such as Orange Glazed Broccoli with Carrots and Kale Mashed Maple Winter Squash with Cinnamon
Lemony Lentil and Potato Chowder Smoky Sweet Potato and Black Bean Chili Coconut Almond Risotto
Mentalization-Based Treatment for Children: A Time-Limited Approach Nick Midgley,Karin Ensink,Karin Lindqvist,Norka
Malberg,Nicole Muller,2022-12-15 New in paperback This book is the first comprehensive clinical introduction to using
Mentalization based treatment MBT with children 5 12 years old **On Point** Gregory Fontenot,E. J. Degen,David
Tohn,2005 Den amerikanske h rs f rste officielle historiske beretning om operationerne i den anden Irakiske Krig Operation
Iraqi Freedom OIF Fra forberedelserne mobiliseringen forl gningen af enhederne til inds ttelsen af disse i kampene ved Talil
og As Samawah An Najaf og de afsluttende kampe ved Bagdad Foruden en detaljeret gennemgang af de enkelte
kampenheder Order of Battle beskrives og analyseres udviklingen i anvendte v ben og doktriner fra den f rste til den anden
Golf Krig 2009 Report Card for America's Infrastructure American Society of Civil Engineers,2009-01-01 Details the
rationale behind grades in 15 categories as announced by ASCE This book presents an analysis of each category an
assessment of your state s status case studies of successful projects suggestions for actions you can take and ways you can
get involved and more **The Hard Drive Bible** Martin Bodo,1996 THE HARD DRIVE BIBLE EIGHTH EDITION is the
definitive reference book for anyone who deals with personal computer data storage devices of any kind This comprehensive
work covers installations drive parameters 408 743 8787 Radiation Detection and Measurement Glenn F. Knoll,1989 This
new edition of the methods and instrumentation used in the detection of ionizing radiation has been revised and updated to
reflect recent advances It covers modern engineering practice provides useful design information and contains an up to date
review of the literature INTELLIGENT SYSTEM DEVELOPMENT TECHNIQUES Falguni Ranadive,Dr. Priyanka Sharma,

Official Gazette of the United States Patent and Trademark Office ,2005

adventure time the complete history of finn and jake hbo max - Jan 30 2023

web jun 11 2021 finn and jake they ve fought some dangerous foes they ve shared so many laughs and they ve stayed friends forever adventurestream adventure time a

adventure time finn 1 bin video yandex te bulundu - Feb 16 2022

web adventure time finn and jake investigations walkthrough part 4 this is a full walkthrough of adventure time finn and jake investigations and will contain all spoilers story missions boss fights youtube 74 5 bin görüntüleme 23 ekim 2015 Şikayet et 25 09

adventure time oyunlar videolar ve yüklemeler cartoon network - Jun 03 2023

web adventure time iki yakın arkadaş hakkındadır sevecen yaşlı ve bilge bir köpek olan jake ve hayatta her şeyden çok büyük bir kahraman olmak isteyen komik bir çocuk olan finn başka cn programlarını keşfet

[adventure time funny videos and full episodes cartoon network](#) - May 22 2022

web it s adventure time come on grab your friends we ll go to very distant lands with jake the dog and finn the human the fun will never end play free online games grab awesome downloads watch episodes and funny videos from the tv show and explore the land of ooo heck yeah adventure time with finn jake is totally mathematical

full episode hall of egress adventure time youtube - Oct 27 2022

web sep 22 2022 what time is it adventure time come along as we continue to celebrate our 30th anniversary with jake and finn watch more of finn and his friends on hboma

finn adventure time wiki fandom - Oct 07 2023

web finn mertens also known as finn the human is the main protagonist in adventure time he also appeared in the spin off series adventure time distant lands and returned in the spin off series adventure time fionna cake he was voiced by jeremy shada in most appearances the character made his debut in the original pilot where he is named

finn the human wikipedia - Sep 06 2023

web finn mertens better known as finn the human is a character and one of the two protagonists in the american animated television series adventure time created by pendleton ward he also appeared in the spin off series adventure time distant lands and adventure time fionna and cake he was voiced by jeremy shada in most

adventure time wiki fandom - Nov 27 2022

web the adventure time wiki is an unofficial collaborative database about the cartoon network series adventure time and its fictional universe the wiki format allows anyone to create or edit any article there have been 4 192 articles created since may

2009

adventure time with finn jake turkcealtyazi org - Aug 25 2022

web apr 1 2010 adventure time hayal gücünün sınırlarını zorlayan 2000 sonrası çıkmış en iyi çizgi filmlerden birisidir bir çok bölümünde arkadaşlık iyilik kötülük dostluk düşman macera vs çerçevesinde çocuklara yönelik mesajlar içerse de son kertede fantastik sever büyüklere de hitap etmektedir

finn and jake adventure time cartoon network youtube - Feb 28 2023

web mar 27 2021 click to watch more adventure time bit ly 2quxyz3visit play google com store tv show adventure time id glzyrviv1n4check it out it s our

adventure time finn and jake s epic quest on steam - Mar 20 2022

web team up as finn and jake in a 3d adventure of epic proportions the land of ooo has been transformed into a giant video game and bmo has been kidnapped brawl your way through the witch s garden ice kingdom fire kingdom and even the land of the dead itself to rescue bmo and uncover the evil mastermind

finn adventure time wiki fandom - Jul 04 2023

web finn tam ismi İnsan finn Çiflik dünyası nda finn mertens olarak bilinir ön gösterim de zaman çizergesi ve eski adı pen olarak bilinir adventure time serinin ana karakteridir

finn s relationships adventure time wiki fandom - Jul 24 2022

web this page describes finn s relationships with other characters in the adventure time series joshua and margaret are the parents of jake and jermaine and the adoptive parents of finn finn loves his foster parents very much and treasures margaret s music box as seen in jake vs me mow that she used for lullabies and finn carries it with

adventure time with finn jake izle sezonluk dizi izle - Jun 22 2022

web adventure time with finn jake dizisini 1080p full hd olarak izle oyuncuları konusu ve tartışmalarıyla bilgi sahibi ol adventure time with finn jake dizisini türkçe altyazılı yada ingilizce altyazılı izle kayıt ol giriş yap hepsini gördüm

finn ve jake yeniden buluştu adventure time distant bant - Sep 25 2022

web apr 21 2021 adventure time in baş karakterleri finn ve jake in yeniden buluşacağı üçüncü distant lands bölümünden yayımlanan ilk fragmanda iki karakterin şimdiye dek atıldığı en büyük macera vadediliyor 20 mayıs ta yayımlanacak bölümde bir dizi gizemli olayın ardından finn ve jake evlerinden hiç olmadığı kadar

gelmiş geçmiş en güzel 11 adventure time bölümü geekyapar - Apr 20 2022

web oct 5 2014 bir kere billy lich tarafından öldürüldü yahu daha önce adventure time da bu kadar sert bir olayın olduğunu görmemiştik the lich ile böyle şeyler görmeye alışmamız gerektiğini anladık tabii bölümün sonunda diğer sezona bağlanacak finn the human hikayesi de bambaşkaydı 9 finn the human

evolution of finn adventure time cartoon network youtube - Apr 01 2023

web aug 24 2018 adventurer hero puncher of buns finn has come a long way from boom boom mountain watch finn grow up throughout 10 seasons of adventure time what s your f

adventure time wikipedia - May 02 2023

web adventure time is an american fantasy animated television series created by pendleton ward and produced by frederator studios for cartoon network the series follows the adventures of a boy named finn jeremy shada and his best friend and adoptive brother jake john dimaggio a dog with the magical power to change size and shape at

adventure time wikipedi - Aug 05 2023

web adventure time cartoon network için frederator studios ve cartoon network studios ile pendleton ward tarafından yapılmış olan bir amerikan çizgi dizisidir seri finn adındaki bir insan çocuk ve esneyerek büyüebilme şekil değişebilme gibi sihirli güçlere sahip en iyi arkadaşı ve üvey kardeşi olan köpek jake in maceralarını anlatmaktadır

finn the human adventure time wiki fandom - Dec 29 2022

web finn the human is the first episode in the fifth season of adventure time it s the one hundred and fifth episode overall finn and jake chase the lich through a dimensional portal where they meet prismo who tells them that the lich wished for the extinction of all life this leads finn to wish that the lich never even ever existed and the creation of

[russian roulette the story of an assassin alex rider](#) - Jun 17 2023

oct 1 2013 amazon com russian roulette the story of an assassin alex rider 9780399254413 horowitz anthony books books teen young adult literature fiction enjoy fast free delivery exclusive deals and award winning movies tv shows with prime try prime and start saving today with fast free delivery kindle 9 99 available instantly

russian roulette the story of an assassin alex rider adventure - Oct 29 2021

oct 1 2013 buy russian roulette the story of an assassin alex rider adventure by 9780399254413 from amazon uk s books shop free delivery on eligible orders

russian roulette alex rider smarturl it - Nov 29 2021

go to russian roulette alex rider

russian roulette alex rider paperback 2 april 2015 - Sep 08 2022

apr 2 2015 in the prequel to the number one bestselling alex rider series by anthony horowitz contract killer yassen gregorovich is given orders to kill alex but yassen knows a secret from the past that connects him to the fourteen year old spy

russian roulette alex rider hardcover 12 sept 2013 - Dec 11 2022

in the prequel to the number one bestselling alex rider series by anthony horowitz contract killer yassen gregorovich is given

orders to kill alex but yassen knows a secret from the past that connects him to the fourteen year old spy

[russian roulette horowitz anthony 1955 author free](#) - Feb 13 2023

russian roulette by horowitz anthony 1955 author publication date alex rider s greatest nemesis yassen gregorovich recalls his life and the path that led him to become an assassin while his one time friend alex s uncle became a spy notes cut off text due to tight binding

russian roulette alex rider 10 by anthony horowitz goodreads - Jul 18 2023

oct 1 2013 alex rider s life changed forever with the silent pull of a trigger when ian rider died at the hands of the assassin yassen gregorovich alex ready or not was thrust into the world of international espionage the world s only teenage spy alex vowed revenge against yassen and the two have battled ever since

russian roulette trailer alex rider - Jun 05 2022

russian roulette trailer russian roulette trailer never say die trailer scorpia rising trailer 1 sign up to the newsletter are you under 13 if so please do not provide your details please ask your parent or guardian to provide their email address

trademarks alex rider boy with torch logo stormbreaker productions ltd

[russian roulette the story of an assassin alex rider](#) - Apr 15 2023

nov 18 2014 for teen secret agent alex rider that beginning occurred prior to his first case for mi6 known by the code name stormbreaker by the time stormbreaker forever changed alex s life his uncle had been murdered by the assassin yassen gregorovich leaving alex orphaned and craving revenge

russian roulette alex rider - Aug 19 2023

russian roulette contract killer yassen gregorovich has been given his orders kill alex rider as yassen considers his mission he remembers a secret from the past that connects him to the fourteen year old spy

russian roulette by anthony horowitz 9780147512314 - May 16 2023

russian roulette by anthony horowitz 9780147512314 penguinrandomhouse com books alex rider is now an imdb tv amazon original series alex rider is an orphan turned teen superspy who s saving the world one mission at a time from alex rider is now an imdb tv amazon original series

[russian roulette alex rider 9781406310504 amazon com](#) - Mar 14 2023

one the best books of the alex rider series this book is an amazing read with suspense around every corner the book is way better once you read the other books in the series because much like a tv show you become familiar with main characters and it all comes together very nicely verified purchase

russian roulette by anthony horowitz audiobook audible uk - Jul 06 2022

the final audiobook in the 1 best selling alex rider series alex rider s life changed forever with the silent pull of a trigger

when ian rider died at the hands of the assassin yassen gregorovich alex ready or not was thrust into the world of international espionage

alex rider russian roulette by anthony horowitz waterstones - Apr 03 2022

jul 20 2015 buy alex rider russian roulette by anthony horowitz from waterstones today click and collect from your local waterstones or get free uk delivery on orders over 25

alex rider russian roulette paperback 20 july 2015 - Dec 31 2021

jul 20 2015 buy alex rider russian roulette by horowitz anthony isbn 9781406364934 from amazon s book store everyday low prices and free delivery on eligible orders

alex rider russian roulette the story of an assassin - Feb 01 2022

presented with an unexpected assignment alex rider s greatest nemesis yassen gregoravich recalls his life and the path that led him to become an assassin while his one time friend alex s

russian roulette 10 alex rider paperback horowitz anthony - Mar 02 2022

russian roulette 10 alex rider paperback horowitz anthony paperback 2 april 2015 by anthony horowitz author 4 7 4 7 out of 5 stars 1 418 ratings

russian roulette by anthony horowitz waterstones - Jan 12 2023

apr 2 2015 in the prequel to the number one bestselling alex rider series by anthony horowitz contract killer yassen gregorovich is given orders to kill alex but yassen knows a secret from the past that connects him to the fourteen year old spy

russian roulette alex rider horowitz anthony - Oct 09 2022

may 5 2015 in the prequel to the number one bestselling alex rider series by anthony horowitz contract killer yassengregorovich is given orders to kill alex but yassen knows a secret from the past that connects him to the fourteen year old spy

russian roulette the story of an assassin 10 alex rider - Nov 10 2022

oct 7 2019 buy russian roulette the story of an assassin 10 alex rider reprint by horowitz anthony isbn 9780147512314 from amazon s book store everyday low prices and free delivery on eligible orders russian roulette the story of an assassin 10 alex rider amazon co uk horowitz anthony 9780147512314 books

russian roulette alex rider wiki fandom - Sep 20 2023

russian roulette is the tenth novel in the alex rider series written by anthony horowitz it serves as a prequel or spin off to the alex rider series but it mainly focuses on the childhood of the assassin that appears in many of the books yassen gregorovich the release date september 2013

alex rider wikipedia - Aug 07 2022

russian roulette russian roulette was published in 2013 it is told from the point of view of the infamous contract killer yassen gregorovich it starts in a small isolated russian village where yassen known as yasha grew up

alex rider all books me free download borrow and - May 04 2022

jun 20 2021 russian roulette alex rider book 10 by anthony horowitz anthony horowitz z lib org hocr searchtext txt gz download 200 8k scorpia rising alex rider book 5 by anthony horowitz horowitz anthony z lib org hocr searchtext txt gz download

braces treatment in singapore costs process subsidies 2022 - May 29 2022

web the average cost for braces can range from as low to 2 000 or as high as 11 000 because orthodontic treatment is highly customised prices tend to vary largely and are affected by factors such as your age insurance and type of braces the cost of braces is also dependent on factors such as the complexity of your case

moh regulations guidelines and circulars ministry of health - Feb 06 2023

web aug 1 2016 directive on consent taking practices for procedures performed by all registered medical practitioners informed consent is an integral part of good clinical practice and sound patient care every medical practitioner has a duty to appropriately advise and inform his her patient of the nature of any medical procedure and any associated risks

consent forms spanish santa teresa dental - Sep 13 2023

web consent forms spanish additional treatment under sedation anesthesia and sedation anxiolysis bisphosphate drug current or history of usage bone graft child protective stabilization child treatment cosmetic treatment

o iti 002 o o o o o o cd o o o o d d o n o o ministry of - Jan 05 2023

web created date 5 11 2015 9 28 44 am

removal of braces consent form fill out sign online dochub - Oct 02 2022

web 01 edit your form online type text add images blackout confidential details add comments highlights and more 02 sign it in a few clicks draw your signature type it upload its image or use your mobile device as a signature pad 03 share your form with others send it via email link or fax

no need for a translator spanish consent and dentistry iq - Apr 08 2023

web no need for a translator spanish consent and instructional apps for orthodontic and implant dentistry spanish ortho expert and spanish implant expert are two mobile apps containing spanish consent forms and informational documents for orthodontic and implant dentistry

get the free braces removal consent form spanish pdffiller - Oct 14 2023

web 01 anyone who has undergone orthodontic treatment involving braces and now wishes to have them removed would

typically need to fill out a braces removal consent form 02 this form ensures that the patient fully understands the **dental office forms in spanish dentist s advantage** - Aug 12 2023

web phone 1 888 778 3981 monday friday 8 00am 6 00pm est get a quote as a member of the national society of dental practitioners and a dentist s advantage client you have access to a library of dental consent and record keeping forms each are available as pdfs for download

braces removal consent form spanish pdf download only - Feb 23 2022

web braces removal consent form spanish pdf upload betty u williamson 3 27 downloaded from live hubitat com on october 19 2023 by betty u williamson confusion and friends who turn out to be not so friendly organizational culture and leadership edgar h schein 2010 07 16 regarded as one of the most influential management books of all time

a complete guide to braces treatment in singapore - Jun 29 2022

web sep 3 2021 the cost of braces in singapore varies significantly but a good ballpark figure would be between 3 000 and 7 000 some clinics can charge as much as 11 000 and it is understandable given that orthodontic treatment is highly personalised and custom made to fit the patient s dental situation

extraction consent form spanish simply dental of stamford - May 09 2023

web sep 15 2021 extraction consent form spanish implant placement form spanish denture consent form spanish previous laser consent form spanish guest user september 15 2021 next implant placement form spanish guest user september 15 2021 simply dental of stamford 1134 east main street stamford ct

braces removal consent form spanish 2023 portal nivbook co - Apr 27 2022

web 2 braces removal consent form spanish 2022 02 08 scenarios as well as links to the internet based interactive dental trauma guide to predict healing complications for individual trauma scenarios key features written by international authorities on dental trauma demonstrates treatment protocols in a clear step by step format illustrated

early discontinuation of orthodontic treatment request form - Sep 01 2022

web the braces the teeth may have damage or may become damaged during the removal of braces or other orthodontic appliances any damage should be corrected by a dentist as soon as possible if i have chosen to have retainers made i understand these retainers will retain the current positions of the teeth only if worn as instructed

get the free extraction consent form in spanish pdf filler - Dec 04 2022

web to properly fill out an extraction consent form follow these steps 1 read the form begin by carefully reading through the entire extraction consent form ensure that you understand each section and any terms or conditions mentioned 2 personal information enter your personal details such as name date of birth address and contact

braces removal consent form spanish pdf stage gapinc - Jul 31 2022

web braces removal consent form spanish 3 3 ultimate guide to dental trauma the manual preserves its uniquely usable and reader friendly format demonstrating step by step treatment protocols for commonly occurring traumatic injuries several new sections have been added to expand the number of clinical scenarios describing soft

download consent forms in spanish english dentist joliet il - Jul 11 2023

web parental consent form for dental treatment skip to content facebook twitter instagram yelp 815 782 6243 extractions spanish pdf download post op instructions for root canal treatment pdf download instrucciones para tratamiento de endodoncia root canal spanish pdf download

consent forms antoine dental center - Mar 07 2023

web informed consent for whitening bleaching treatment spanish informed consent inhalation sedation nitrous oxide oxygen informed consent inhalation sedation nitrous oxide oxygen spanish tooth extraction tooth extraction spanish informed refusal of treatment informed refusal periodontal scaling

fillable online braces removal consent form spanish braces removal - Jun 10 2023

web browse and read braces removal consent form spanish title type a spanish lover pdf byu spanish 2 test pdf a little spanish cookbook pdf eat that frog spanish pdf fill form try risk free form popularity

braces removal consent form spanish 2015 ieeeglobalsip org - Mar 27 2022

web braces removal consent form spanish this is likewise one of the factors by obtaining the soft documents of this braces removal consent form spanish by online you might not require more era to spend to go to the book inauguration as well as search for them in some cases you likewise accomplish not discover the proclamation braces removal

braces removal consent form turner orthodontics - Nov 03 2022

web bonded retainer to avoid any teeth shifting if the bonded retainer needs to be repaired or removed any time after the treatment period has ended a fee will apply intentional removal of any bonded retainer is subject to a full replacement fee or office visit fee whether the retainer is replaced or permanently removed

Unveiling the Energy of Verbal Artistry: An Psychological Sojourn through **Aeg Manuals Online**

In a global inundated with displays and the cacophony of quick transmission, the profound energy and emotional resonance of verbal beauty usually fade into obscurity, eclipsed by the continuous assault of sound and distractions. However, nestled within the musical pages of **Aeg Manuals Online**, a charming perform of literary brilliance that pulses with raw thoughts, lies an wonderful journey waiting to be embarked upon. Penned by a virtuoso wordsmith, that interesting opus guides viewers on a psychological odyssey, lightly revealing the latent possible and profound affect embedded within the complicated internet of language. Within the heart-wrenching expanse of this evocative analysis, we can embark upon an introspective exploration of the book is central subjects, dissect its charming writing type, and immerse ourselves in the indelible impact it leaves upon the depths of readers souls.

https://offsite.creighton.edu/files/virtual-library/Documents/multiple_choice_bible_quizzes.pdf

https://offsite.creighton.edu/files/virtual-library/Documents/mother_and_daughter_by_gary_soto.pdf

https://offsite.creighton.edu/files/virtual-library/Documents/mother_to_son_poem_pdf.pdf

Table of Contents Aeg Manuals Online

1. Understanding the eBook Aeg Manuals Online
 - The Rise of Digital Reading Aeg Manuals Online
 - Advantages of eBooks Over Traditional Books
2. Identifying Aeg Manuals Online
 - Exploring Different Genres
 - Considering Fiction vs. Non-Fiction
 - Determining Your Reading Goals

3. Choosing the Right eBook Platform
 - Popular eBook Platforms
 - Features to Look for in an Aeg Manuals Online
 - User-Friendly Interface
4. Exploring eBook Recommendations from Aeg Manuals Online
 - Personalized Recommendations
 - Aeg Manuals Online User Reviews and Ratings
 - Aeg Manuals Online and Bestseller Lists
5. Accessing Aeg Manuals Online Free and Paid eBooks
 - Aeg Manuals Online Public Domain eBooks
 - Aeg Manuals Online eBook Subscription Services
 - Aeg Manuals Online Budget-Friendly Options
6. Navigating Aeg Manuals Online eBook Formats
 - ePub, PDF, MOBI, and More
 - Aeg Manuals Online Compatibility with Devices
 - Aeg Manuals Online Enhanced eBook Features
7. Enhancing Your Reading Experience
 - Adjustable Fonts and Text Sizes of Aeg Manuals Online
 - Highlighting and Note-Taking Aeg Manuals Online
 - Interactive Elements Aeg Manuals Online
8. Staying Engaged with Aeg Manuals Online
 - Joining Online Reading Communities
 - Participating in Virtual Book Clubs
 - Following Authors and Publishers Aeg Manuals Online
9. Balancing eBooks and Physical Books Aeg Manuals Online
 - Benefits of a Digital Library
 - Creating a Diverse Reading Collection Aeg Manuals Online
10. Overcoming Reading Challenges
 - Dealing with Digital Eye Strain
 - Minimizing Distractions

- Managing Screen Time
- 11. Cultivating a Reading Routine Aeg Manuals Online
 - Setting Reading Goals Aeg Manuals Online
 - Carving Out Dedicated Reading Time
- 12. Sourcing Reliable Information of Aeg Manuals Online
 - Fact-Checking eBook Content of Aeg Manuals Online
 - Distinguishing Credible Sources
- 13. Promoting Lifelong Learning
 - Utilizing eBooks for Skill Development
 - Exploring Educational eBooks
- 14. Embracing eBook Trends
 - Integration of Multimedia Elements
 - Interactive and Gamified eBooks

Aeg Manuals Online Introduction

Aeg Manuals Online Offers over 60,000 free eBooks, including many classics that are in the public domain. Open Library: Provides access to over 1 million free eBooks, including classic literature and contemporary works. Aeg Manuals Online Offers a vast collection of books, some of which are available for free as PDF downloads, particularly older books in the public domain. Aeg Manuals Online : This website hosts a vast collection of scientific articles, books, and textbooks. While it operates in a legal gray area due to copyright issues, its a popular resource for finding various publications. Internet Archive for Aeg Manuals Online : Has an extensive collection of digital content, including books, articles, videos, and more. It has a massive library of free downloadable books. Free-eBooks Aeg Manuals Online Offers a diverse range of free eBooks across various genres. Aeg Manuals Online Focuses mainly on educational books, textbooks, and business books. It offers free PDF downloads for educational purposes. Aeg Manuals Online Provides a large selection of free eBooks in different genres, which are available for download in various formats, including PDF. Finding specific Aeg Manuals Online, especially related to Aeg Manuals Online, might be challenging as theyre often artistic creations rather than practical blueprints. However, you can explore the following steps to search for or create your own Online Searches: Look for websites, forums, or blogs dedicated to Aeg Manuals Online, Sometimes enthusiasts share their designs or concepts in PDF format. Books and Magazines Some Aeg Manuals Online books or magazines might include. Look for these in online stores or libraries. Remember that while Aeg Manuals Online, sharing copyrighted material without permission is not legal. Always ensure youre either creating your own

or obtaining them from legitimate sources that allow sharing and downloading. Library Check if your local library offers eBook lending services. Many libraries have digital catalogs where you can borrow Aeg Manuals Online eBooks for free, including popular titles. Online Retailers: Websites like Amazon, Google Books, or Apple Books often sell eBooks. Sometimes, authors or publishers offer promotions or free periods for certain books. Authors Website Occasionally, authors provide excerpts or short stories for free on their websites. While this might not be the Aeg Manuals Online full book, it can give you a taste of the authors writing style. Subscription Services Platforms like Kindle Unlimited or Scribd offer subscription-based access to a wide range of Aeg Manuals Online eBooks, including some popular titles.

FAQs About Aeg Manuals Online Books

What is a Aeg Manuals Online PDF? A PDF (Portable Document Format) is a file format developed by Adobe that preserves the layout and formatting of a document, regardless of the software, hardware, or operating system used to view or print it. **How do I create a Aeg Manuals Online PDF?** There are several ways to create a PDF: Use software like Adobe Acrobat, Microsoft Word, or Google Docs, which often have built-in PDF creation tools. Print to PDF: Many applications and operating systems have a "Print to PDF" option that allows you to save a document as a PDF file instead of printing it on paper. Online converters: There are various online tools that can convert different file types to PDF. **How do I edit a Aeg Manuals Online PDF?** Editing a PDF can be done with software like Adobe Acrobat, which allows direct editing of text, images, and other elements within the PDF. Some free tools, like PDFescape or Smallpdf, also offer basic editing capabilities. **How do I convert a Aeg Manuals Online PDF to another file format?** There are multiple ways to convert a PDF to another format: Use online converters like Smallpdf, Zamzar, or Adobe Acrobats export feature to convert PDFs to formats like Word, Excel, JPEG, etc. Software like Adobe Acrobat, Microsoft Word, or other PDF editors may have options to export or save PDFs in different formats. **How do I password-protect a Aeg Manuals Online PDF?** Most PDF editing software allows you to add password protection. In Adobe Acrobat, for instance, you can go to "File" -> "Properties" -> "Security" to set a password to restrict access or editing capabilities. Are there any free alternatives to Adobe Acrobat for working with PDFs? Yes, there are many free alternatives for working with PDFs, such as: LibreOffice: Offers PDF editing features. PDFsam: Allows splitting, merging, and editing PDFs. Foxit Reader: Provides basic PDF viewing and editing capabilities. How do I compress a PDF file? You can use online tools like Smallpdf, ILovePDF, or desktop software like Adobe Acrobat to compress PDF files without significant quality loss. Compression reduces the file size, making it easier to share and download. Can I fill out forms in a PDF file? Yes, most PDF viewers/editors like Adobe Acrobat, Preview (on Mac), or various online tools allow you to fill out forms in PDF files by selecting text fields and entering information. Are there any restrictions

when working with PDFs? Some PDFs might have restrictions set by their creator, such as password protection, editing restrictions, or print restrictions. Breaking these restrictions might require specific software or tools, which may or may not be legal depending on the circumstances and local laws.

Find Aeg Manuals Online :

[multiple choice bible quizzes](#)

mother and daughter by gary soto

[mother to son poem pdf](#)

mysore university distance education

moles on face meaning chinese

[montreal lonely planet](#)

~~[modern greek grammar](#)~~

most efficient way to learn japanese

[multiplication and division of scientific notation worksheet](#)

[molecule shapes with phet](#)

[my utmost for his highest classic](#)

[mothers day poems daughter](#)

[nach waxman brisket recipe](#)

[multivariable calculus 8th edition](#)

munday chevrolet parts

Aeg Manuals Online :