



Dishwashers

Safety Instructions 2-3

Operating Instructions

Care and Cleaning 11

Getting Started 4-5

Loading and Place Settings 8-9

Loading the silverware baskets 10

Using the Dishwasher 6-7

Troubleshooting Tips 12-14

Consumer Support

Consumer Support 16

Warranty 15

Owner's Manual

Dishwashers
ADT520 Series
GDF510-540 Series
GDT530-550 Series

Lave-vaisselle

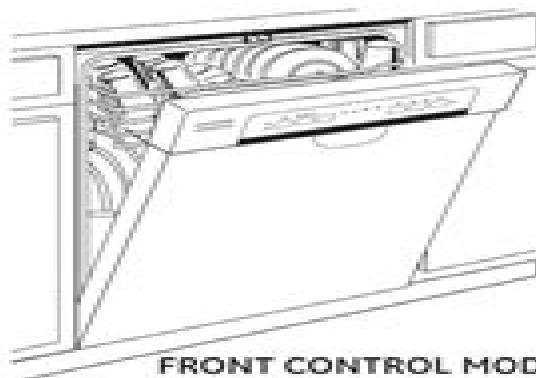
Manuel d'utilisation

La section française commence à la page 17

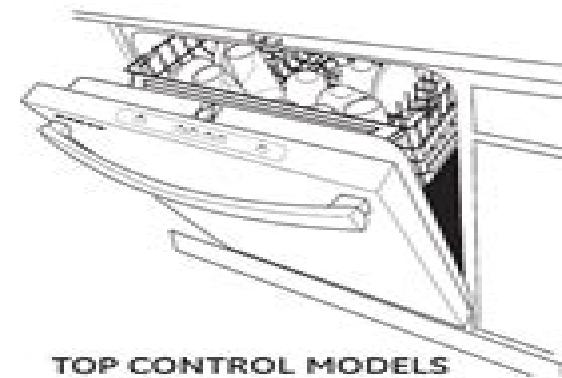
Lavaplatos

Manual del propietario

La sección en español empieza en la página 33



FRONT CONTROL MODELS



TOP CONTROL MODELS

Write the model and serial numbers here:

Model # _____

Serial # _____

You can find them on the tub wall just inside the door.

Profile Appliance Manual

Rachel S Tattersall



Profile Appliance Manual

Magic Chef Appliance Service Manual, Electric Range Magic Chef, inc,1985 **Marketing Information Guide** ,1969
Major Appliance Manual Bill Bacon,Mack C. Sutton,1983 Popular Mechanics Home Appliance Repair Manual Allen
D. Bragdon,1981 **Appliances manual** James E. Kemp,1992 **Housewifery** Lydia Ray Balderston,1919
Orthodontic Appliance Design Manual Scott Huges,Gerry Huges,John Fuller,1986 *Electrical Appliance Manual*
Graham Dixon,2000 *CCNP Security VPN 642-648 Official Cert Guide* Howard Hooper,2012 The official study guide helps
you master all the topics on the CCNP Security VPN exam including Configuring policies inheritance and attributes
AnyConnect Remote Access VPN solutions AAA and Dynamic Access Policies DAP High availability and performance
Clientless VPN solutions SSL VPN with Cisco Secure Desktop Easy VPN solutions IPsec VPN clients and site to site VPNs The
CD ROM contains a free complete practice exam Includes Exclusive Offer for 70% Off Premium Edition eBook and Practice
Test Pearson IT Certification Practice Test minimum system requirements Windows XP SP3 Windows Vista SP2 or Windows 7
Microsoft NET Framework 4.0 Client Pentium class 1GHz processor or equivalent 512 MB RAM 650 MB disc space plus 50
MB for each downloaded practice exam This volume is part of the Official Cert Guide Series from Cisco Press Books in this
series provide officially developed exam preparation materials that offer assessment review and practice to help Cisco Career
Certification candidates identify weaknesses concentrate their study efforts and enhance their confidence as exam day nears
CCNP Security VPN 642 648 Official Cert Guide is a best of breed Cisco exam study guide that focuses specifically on the
objectives for the CCNP Security VPN exam Cisco Certified Internetwork Expert CCIE Howard Hooper shares preparation
hints and test taking tips helping you identify areas of weakness and improve both your conceptual knowledge and hands on
skills Material is presented in a concise manner focusing on increasing your understanding and retention of exam topics
CCNP Security VPN 642 648 Official Cert Guide presents you with an organized test preparation routine through the use of
proven series elements and techniques Do I Know This Already quizzes open each chapter and enable you to decide how
much time you need to spend on each section Exam topic lists make referencing easy Chapter ending Exam Preparation
Tasks help you drill on key concepts you must know thoroughly The companion CD ROM contains a powerful testing engine
that enables you to focus on individual topic areas or take a complete timed exam The assessment engine also tracks your
performance and provides feedback on a module by module basis laying out a complete assessment of your knowledge to
help you focus your study where it is needed most Well regarded for its level of detail assessment features and challenging
review questions and exercises this official study guide helps you master the concepts and techniques that will enable you to
succeed on the exam the first time CCNP Security VPN 642 648 Official Cert Guide is part of a recommended learning path
from Cisco that includes simulation and hands on training from authorized Cisco Learning Partners and self study products

from Cisco Press To find out more about instructor led training e learning and hands on instruction offered by authorized Cisco Learning Partners worldwide please visit www.cisco.com/go/authorizedtraining

Appliances manual Julianne Stewart,1992 **Code of Federal Regulations** ,1998 **Culinary Ephemera** ,1950 **Code of Federal Regulations** United States. Internal Revenue Service,2008 Special edition of the Federal register containing a codification of documents of general applicability and future effect as of April 1 with ancillaries *Distribution Data Guide* ,1954 *The Code of Federal Regulations of the United States of America* ,1998 The Code of Federal Regulations is the codification of the general and permanent rules published in the Federal Register by the executive departments and agencies of the Federal Government

Great Leaders Have No Rules Kevin Kruse,2019-04-02 As a serial entrepreneur Kevin Kruse has seen time and again that the leadership practices that actually work are the opposite of what is commonly taught and implemented Close Your Open Door Policy shows how a contrarian approach can be a better faster and easier way to succeed as a leader Chapter by chapter Kruse focuses on a piece of popular wisdom then shows with real world case studies and quantitative research that the opposite approach will lead to better results encouraging leaders to play favorites stay out of meetings and of course close their open doors *Resources in Education* ,1994 [Clean My Space](#) Melissa Maker,2017-03-07 The wildly popular YouTube star behind Clean My Space presents the breakthrough solution to cleaning better with less effort Melissa Maker is beloved by fans all over the world for her completely re engineered approach to cleaning As the dynamic new authority on home and living Melissa knows that to invest any of our precious time in cleaning we need to see big long lasting results So she developed her method to help us get the most out of our effort and keep our homes fresh and welcoming every day In her long awaited debut book she shares her revolutionary 3 step solution Identify the most important areas MIAs in your home that need attention Select the proper products tools and techniques PTT for the job Implement these new cleaning routines so that they stick Clean My Space takes the chore out of cleaning with Melissa s incredible tips and cleaning hacks the power of pretreating her lightning fast 5 10 minute express clean routines for every room when time is tightest and her techniques for cleaning even the most daunting places and spaces And a big bonus Melissa gives guidance on the best non toxic eco conscious cleaning products and offers natural cleaning solution recipes you can make at home using essential oils to soothe and refresh With Melissa s simple groundbreaking method you can truly live in a cleaner more cheerful and calming home all the time

[CCNP Security VPN 642-647 Official Cert Guide](#) Howard Hooper,2011-07-07 This is the eBook version of the print title Note that the eBook does not provide access to the practice test software that accompanies the print book Trust the best selling Official Cert Guide series from Cisco Press to help you learn prepare and practice for exam success They are built with the objective of providing assessment review and practice to help ensure you are fully prepared for your certification exam CCNP Security VPN 642 647 Official Cert Guide presents you with an organized test preparation routine through the use of proven series elements and techniques Do I Know This Already quizzes open each chapter and

enable you to decide how much time you need to spend on each section Exam topic lists make referencing easy Chapter ending Exam Preparation Tasks help you drill on key concepts you must know thoroughly Master Cisco CCNP Security VPN 642 647EAM topics Assess your knowledge with chapter opening quizzes Review key concepts with exam preparation tasks CCNP Security VPN 642 647 Official Cert Guide focuses specifically on the objectives for the CCNP Security VPN exam Cisco Certified Internetwork Expert CCIE Howard Hooper share preparation hints and test taking tips helping you identify areas of weakness and improve both your conceptual knowledge and hands on skills Material is presented in a concise manner focusing on increasing your understanding and retention of exam topics Well regarded for its level of detail assessment features comprehensive design scenarios and challenging review questions and exercises this official study guide helps you master the concepts and techniques that will enable you to succeed on the exam the first time The official study guide helps you master all the topics on the CCNP Security VPN exam including Configuring policies inheritance and attributes AnyConnect Remote Access VPN solution AAA and Dynamic Access Policies DAP High availability and performance Clientless VPN solutions SSL VPN with Cisco Secure Desktop Easy VPN solutions IPsec VPN clients and site to site VPNs CCNP Security VPN 642 647 Official Cert Guide is part of a recommended learning path from Cisco that includes simulation and hands on training from authorized Cisco Learning Partners and self study products from Cisco Press To find out more about instructor led training e learning and hands on instruction offered by authorized Cisco Learning Partners worldwide please visit www.cisco.com/go/authorizedtraining

Smart Grid Applications and Developments Daphne Mah, Peter Hills, Victor O.K. Li, Richard Balme, 2014-07-25 Meeting today's energy and climate challenges require not only technological advancement but also a good understanding of stakeholders' perceptions, political sensitivity, well informed policy analyses and innovative interdisciplinary solutions This book will fill this gap This is an interdisciplinary informative book to provide a holistic and integrated understanding of the technology stakeholder policy interactions of smart grid technologies The unique features of the book include the following: a) interdisciplinary approach by bringing in the policy dimensions to smart grid technologies b) global and Asian perspective and c) learning from national case studies This book is organised into five sections Part 1 discusses the historical and conceptual aspects of smart grids Part 2 introduces the technological aspects and showcase the state of the art of the technologies Part 3 explores the policy and governance dimensions by bringing in a stakeholder perspective Part 4 presents a collection of national case studies Part 5 shares insights and lesson learnt and provide policy recommendations This book showcases the state of the art R D developments and policy experiences This book contributes to a better understanding of governance institution and policy challenges and helps formulate policy recommendations for successful smart grid deployment

free islam que j aime l islam qui m inquiete l - Aug 08 2022

web islam que j aime l islam qui m inquiete l convex surfaces may 06 2022 la clé du caveau à l usage des chansonniers français et étrangers des amateurs auteur acteurs chefs d orchestre oct 11 2022 french today feb 03 2022 french today is a profile of the french language in its social context british and french linguists

islam que j aime l islam qui m inquiete l paperback - Jul 19 2023

web mar 1 2012 islam que j aime l islam qui m inquiete l delorme christian 9782227483354 books amazon ca skip to main content ca hello select your address books select the department you want to search in search amazon ca en hello sign in account

inquiet définition simple et facile du dictionnaire l internaute - Mar 03 2022

web plus généralement vous bénéficiez d un droit d accès et de rectification de vos données personnelles ainsi que celui d en demander l effacement dans les limites prévues par la loi vous pouvez également à tout moment revoir vos options en matière de prospection commerciale et ciblage

il s inquiète que traduction anglaise linguae - Apr 04 2022

web de très nombreux exemples de phrases traduites contenant il s inquiète que dictionnaire anglais français et moteur de recherche de traductions anglaises

l islam que j aime l islam qui m inquiète label emmaüs - Mar 15 2023

web un livre entretien dans lequel christian delorme à la lumière de plus de trente ans de travail avec les musulmans analyse

islam que j aime l islam qui m inquiete l pdf louis gauthier - Oct 10 2022

web jun 8 2023 the islam que j aime l islam qui m inquiete l pdf it is unquestionably simple then previously currently we extend the associate to buy and create bargains to download and install islam que j aime l islam qui m inquiete l pdf suitably simple bonaparte et l islam d aprs les documents franais arabes christian cherfils 1914

islam que j aime l islam qui m inquiete l by christian delorme - Sep 09 2022

web islam que j aime l islam qui m inquiete l by christian delorme online it will undoubtedly lose the moment in the household office or potentially in your methodology can be every prime spot within internet connections if you want to amusing stories lots of literature story jokes

l islam que j aime l islam qui m inquiète babelio - Oct 22 2023

web feb 2 2012 l islam que j aime l islam qui m inquiète pour toute une partie des habitants de culture musulmane le recours à un islam ostentatoire fonctionne comme une compensation à l exclusion qu ils vivent ou ressentent avant de voir là une montée de l islam constatons d abord un échec de la république À la lumière de plus de trente

inquiétude définition simple et facile du dictionnaire l internaute - May 05 2022

web luc de clapiers marquis de vauvenargues l âme inquiète et bornée à elle même se repose et se promène dans les idées d

une vie à venir alexander pope inquiété définition contraire citations traduction dans le dictionnaire de la langue française
définition participe passé du verbe

[islam que j aime l islam qui m inquiete l download only](#) - Dec 12 2022

web islam que j aime l islam qui m inquiete l recognizing the habit ways to acquire this book islam que j aime l islam qui m inquiete l is additionally useful you have remained in right site to start getting this info acquire the islam que j aime l islam qui m inquiete l associate that we have the funds for here and check out the link

islam que j aime l islam qui m inquiete l louis gauthier pdf - Jun 18 2023

web merely said the islam que j aime l islam qui m inquiete l is universally compatible with any devices to read la femme est l avenir de l islam sherin khankan 2017 10 18 c est à la mosquée que l idée d un féminisme islamique me traverse l esprit Écoutant le khutba du grand mufti je me dis se pourrait il

islam que j aime l islam qui m inquiete l jeunes - May 17 2023

web select the department you want to search in

islam que j aime l islam qui m inquiete l cyberlab sutd edu sg - Feb 14 2023

web islam que j aime l islam qui m inquiete l the islamic world from classical to modern times jun 18 2022 bernard lewis s work has covered all periods and most countries of the islamic middle east this festschrift written by some of his numerous colleagues friends and former students

islam que j aime l islam qui m inquiete l claude georges picard - Jul 07 2022

web this islam que j aime l islam qui m inquiete l as one of the most dynamic sellers here will extremely be in the course of the best options to review voyage en inde avec un grand dtour louis gauthier 2005 ab naarah 1892 paris match 2008 03 bulletin 1925

islam que j aime l islam qui m inquiete l by amazon ae - Aug 20 2023

web buy islam que j aime l islam qui m inquiete l by online on amazon ae at best prices fast and free shipping free returns cash on delivery available on eligible purchase

[islam que j aime l islam qui m inquiete l paperback](#) - Sep 21 2023

web buy islam que j aime l islam qui m inquiete l by delorme christian isbn 9782227483354 from amazon s book store everyday low prices and free delivery on eligible orders

islam que j aime l islam qui m inquiete l full pdf - Nov 11 2022

web islam que j aime l islam qui m inquiete l claudine mignot surnamed la l hauda or the praised one may 25 2022 debates in the senate of the state of louisiana jan 09 2021 rights representation and reform aug 28 2022 the french revolution provided bentham with what appeared to him to be an exciting opportunity to

islam que j aime l islam qui m inquiete l pdf uniport edu - Apr 16 2023

web jul 1 2023 islam que j aime l islam qui m inquiete l 1 9 downloaded from uniport edu ng on july 1 2023 by guest islam que j aime l islam qui m inquiete l recognizing the pretentiousness ways to acquire this book islam que j aime l islam qui m inquiete l is additionally useful you have remained in right site to start getting this info

je cherche un homme qui m aime cathy l amour est dans le - Jun 06 2022

web cathy qui avait participé à la quinzième saison de l amour est dans pré sur m6 se confie sur son célibat et sur l homme qu elle aimerait rencontrer cathy est toujours à la recherche de l

islam que j aime l islam qui m inquiete l book - Jan 13 2023

web islam que j aime l islam qui m inquiete l the royal phraseological english french french english dictionary jan 16 2023 apr 19 2023 la sainte bible qui contient l ancien et le nouveau testament d après la version de j f ostervald jun 28 2021 ah que l amour est agréable vaudeville en cinq actes etc feb 17 2023

[kerala govt holiday list 2022 central govt employees](#) - Dec 26 2021

web aug 10 2022 here in this article you will be able to download the kerala government holidays calendar in pdf format for the years 2022 the calendar is available in

[kerala government malayalam calendar 2015 pdf uniport edu](#) - Jul 01 2022

web kindly say the kerala government malayalam calendar 2015 pdf is universally compatible with any devices to read the new medicine and the old ethics albert r jonsen 1990

[malayalam calendar 2015 january prokerala](#) - Aug 14 2023

web 7 rows this is the online version of malayalam calendar 2015 in english with daily panchangam rahu kalam and other astrology information view this calendar in

kerala government malayalam calendar 2015 pdf lia erc gov - Nov 05 2022

web kerala government malayalam calendar 2015 pdf pay revision 2014 2015 kerala software for individual fixation and for group fixation upto 200 officers and teachers by

[kerala wikipedia](#) - Jan 27 2022

web jan 1 2004 kerala govt holidays in may 2022 1 may 2022 sunday may day 2 may 2022 monday idul fitr kerala govt holidays in june 2022 no govt holidays in

download official kerala government calendar kerala - Mar 29 2022

web kerala government secretariat thiruvananthapuram appointer governor of kerala term length at the pleasure of the governor of kerala precursor prime minister of

□□□ □ □□□ □□ 2023 □ □ □□□□ - Apr 29 2022

web dec 7 2012 download 8th standard kerala text books for 2015 8th standard text books for kerala schools 2015 8th st 94 9k views liquor prices new rates update

[kerala government calendar 2015 pdf free download](#) - Sep 03 2022

web kerala government malayalam calendar 2015 pdf 2015 may 1st 2018 read and download kerala government malayalam calendar 2015 pdf 2015 free ebooks in

malayalam calendar wikipedia - Oct 04 2022

web the malayalam calendar is a sidereal solar calendar used in kerala the origin of the calendar has been dated to 825 ce the beginning of the kollam era

kerala government malayalam calendar 2015 pdf pdf pdf - Aug 02 2022

web kerala government malayalam calendar 2015 pdf pdf upload herison l williamson 4 26 downloaded from voto uncal edu br on august 23 2023 by herison l williamson service

kerala government malayalam calendar 2015 pdf dev eequ org - Jan 07 2023

web kerala government malayalam calendar 2015 pdf kerala government malayalam calendar 2015 pdf 10th pass jobs 2018 after 10th pass govt jobs army malayalam

kerala government malayalam calendar 2015 pdf lia erc gov - Sep 22 2021

public holidays in kerala in 2015 office holidays - Apr 10 2023

web 20 rows kerala only first day of tulu calendar friday may 01 labour day regional

list of chief ministers of kerala wikipedia - Feb 25 2022

web under a democratic communist local government kerala has achieved a record of social development much more advanced than the indian average as of 2015 kerala has a

malayalam calendar kerala gov apps on google play - May 31 2022

web feb 14 2023 5k downloads everyone info install about this app arrow forward a easy to use malayalam calendar for quick reference real calendar view for the wall calendar

[download kerala government calendar pdf 2022 malayalam](#) - Nov 24 2021

web in malayalam where kerala is the adjectival form is a state in south india on the malabar coast it was formed on 1 november 1956 following the states reorganisation act by

malayalam calendar 2015 may prokerala - May 11 2023

web malayalam calendar for the month of may 2015 medam and edavam are the malayalam months running through may edavam 1 2015 falls on may 15 below is the malayalam

[official web portal government of kerala](#) - Jun 12 2023

web this is the official website of the government of kerala it provides information about cabinet decisions government orders circulars tenders and other updates

[kerala government malayalam calendar 2015 pdf](#) - Feb 08 2023

web said the kerala government malayalam calendar 2015 pdf is universally compatible behind any devices to read kerala government malayalam calendar 2015 kerala

[kerala government malayalam calendar 2015 pdf full pdf](#) - Dec 06 2022

web kerala government malayalam calendar 2015 pdf is available in our digital library an online access to it is set as public so you can download it instantly our book servers

malayalam calendar malayalam calendar 2015 deepika - Jul 13 2023

web malayalam calendar malayalam calendar 2015 deepika calendar 2015 calendar malayalam malayalam internet news news india daily newspaper asian news latest

[kerala government malayalam calendar 2015 pdf lia erc gov](#) - Oct 24 2021

web kerala government malayalam calendar 2015 pdf kerala government malayalam calendar 2015 pdf 11th model question paper 2018 all state board subject

malayalam calendar 2015 download kerala calendar 2015 in - Mar 09 2023

web dec 14 2014 the 2015 malayalam calendar contains important festivals in kerala and uses malayalam language to mention nakshatram and festival details you can visit the

moral social and cultural studies moral social and - Aug 03 2022

web moral social and cultural studies 2021 2022 1 3 2 grade 08 moral social and cultural studies moral social and cultural studies student book grade 8 term 1 1442 1443 a h 2021 2022 first edition certi ed lesson 5 communities and social groups in the uae

[social studies uae worksheets k12 workbook](#) - Apr 30 2022

web worksheets are uae social studies for grade 9 uae social studies portion for final examination 2020 third term revision social studies non arab grade 8 uae sst textbook grade 4 uae social studies for grade 8 first term sy 2015 uae national education and social studies content

[grade 9 students book term 1 moral education](#) - Feb 26 2022

web oct 10 2017 the program encourages youth to explore questions core to everyday life building on the cultural values shared across the uae s diverse communities it promotes character building to develop the next generation of role models and leaders who contribute positively to the long term health and well being of society and the wide world

uae social studies grade 9 lesson 1 by tanya anderson tpt - Jan 08 2023

web description based on the uae ministry of education 9th grade social studies textbook this presentation includes four hour long presentations and activities using multiple apps videos games and projects also includes lesson

uae social studies quality resources great value - Oct 05 2022

web uae social studies teaching resources are for years 7 10 they are designed for students of all abilities each unit has a range of activities for students of differing ability including extension work for the more able teachers and students can choose the

uae social studies grade 9 worksheets k12 workbook - May 12 2023

web showing 8 worksheets for uae social studies grade 9 worksheets are assessment 1 term 1 required material 2020 2021 grade 9 med sb g09 fm en grade 9

uae social studies grade 9 319 plays quizizz - Jun 13 2023

web uae social studies grade 9 quiz for 9th grade students find other quizzes for social studies and more on quizizz for free [social studies](#) [social studies njah online](#) - Apr 11 2023

web social studies teacher guide grade 1 1441 1442 a h 2020 2021 a d 1 3 2 grade 01 social studies our uae our world understanding our past present and future teacher guide grade 1 term 3 1441 1442 a h 2020 2021 a d certi ed the materials in this book are certi ed by the ministry of education óà e

uae social studies grade 9 worksheets kiddy math - Jul 02 2022

web displaying 8 worksheets for uae social studies grade 9 worksheets are assessment 1 term 1 required material 2020 2021 grade 9 med sb g09 fm en grad

uae social studies grade 9 worksheets learny kids - Dec 27 2021

web uae social studies grade 9 worksheets total of 8 printable worksheets available for this concept worksheets are assessment 1 term 1 required materi

results for uae social studies grade 9 lesson 1 tpt - Sep 04 2022

web based on the uae ministry of education 9th grade social studies textbook this presentation includes four hour long presentations and activities using multiple apps videos games and projects also includes lesson objectives and homework assignments and quizzes all activities include prominently displayed times professionally developed and

uae social studies grade 9 2021 22 fliphtml5 - Aug 15 2023

web sep 2 2022 check pages 1 50 of uae social studies grade 9 2021 22 in the flip pdf version uae social studies grade 9 2021 22 was published by hamida beegum on 2022 09 02 find more similar flip pdfs like uae social studies grade 9 2021 22 download uae social studies grade 9 2021 22 pdf for free

year 9 curriculum handbook 2020 2021 dubai - Mar 10 2023

web uae social studies for arabs and non arabs english mathematics science moral education one igcse subject will sit the examination at the end of year 10 curriculum structure year 9 students will study the following courses subjects number of lessons per week igcse subject choose one examination in may 2022

curriculum requirements for private schools in dubai - Jan 28 2022

web to the culture of the uae especially in islamic and moral education and uae social studies uae social studies moral education program are already being taught as per the most recent guidance for teaching of arabic and islamic education in the 13 year system schools schools following the 13 year system who have not yet realigned

social studies uae teaching resources ppt - Mar 30 2022

web browse social studies uae resources on teachers pay teachers a marketplace trusted by millions of teachers for original educational resources browse catalog grades pre k k 1 2 3 5 6 8 9 12 other subject arts music english language arts world language math science social studies history specialty holidays seasonal price free

social studies deira international school dis dubai festival - Dec 07 2022

web social studies at deira international school the social studies curriculum provides an integrated and holistic course of study contextualized to meet the needs of students in the united arab emirates

year 9 2020 2021 by bsak abu dhabi issuu - Feb 09 2023

web oct 4 2020 social studies academic year 2020 2021 year 9 social studies arabic social studies is an essential topic in the uae and in our curriculum at bsak

year 9 social studies nord anglia education - Jul 14 2023

web year 9 general aim of the subject social studies the social studies course for native arab speakers is based on the national curriculum of the uae students learn about the unity of the emirates and also cover topics such as

u a e social studies arabic and islamic studies gems dubai - Nov 06 2022

web u a e social studies is compulsory subject for all students of grades 1 to 9 students of grades 6 to 12 will write the ministry examination in arabic and students of grades 6 to 9 will write the ministry u a e social studies at the end of each academic year islamic studies is a compulsory subject for all muslim students of grades 1 to 12

uae national education and social studies the global sleepover - Jun 01 2022

web in line with uae national priorities and the dubai strategic plan 2021 schools in dubai are required to incorporate the ministry of education uae social studies curriculum standards into their curricula

Right here, we have countless ebook **Profile Appliance Manual** and collections to check out. We additionally have the funds for variant types and furthermore type of the books to browse. The normal book, fiction, history, novel, scientific research, as with ease as various additional sorts of books are readily clear here.

As this Profile Appliance Manual, it ends going on bodily one of the favored book Profile Appliance Manual collections that we have. This is why you remain in the best website to see the unbelievable books to have.

https://offsite.creighton.edu/files/virtual-library/Documents/if_you_give_a_mouse_a_cookie_moral_lesson.pdf

https://offsite.creighton.edu/files/virtual-library/Documents/i_turned_my_mom_into_a_unicorn.pdf

https://offsite.creighton.edu/files/virtual-library/Documents/humanities_through_the_arts.pdf

Table of Contents Profile Appliance Manual

1. Understanding the eBook Profile Appliance Manual
 - The Rise of Digital Reading Profile Appliance Manual
 - Advantages of eBooks Over Traditional Books
2. Identifying Profile Appliance Manual
 - Exploring Different Genres
 - Considering Fiction vs. Non-Fiction
 - Determining Your Reading Goals
3. Choosing the Right eBook Platform
 - Popular eBook Platforms
 - Features to Look for in an Profile Appliance Manual
 - User-Friendly Interface

4. Exploring eBook Recommendations from Profile Appliance Manual
 - Personalized Recommendations
 - Profile Appliance Manual User Reviews and Ratings
 - Profile Appliance Manual and Bestseller Lists
5. Accessing Profile Appliance Manual Free and Paid eBooks
 - Profile Appliance Manual Public Domain eBooks
 - Profile Appliance Manual eBook Subscription Services
 - Profile Appliance Manual Budget-Friendly Options
6. Navigating Profile Appliance Manual eBook Formats
 - ePub, PDF, MOBI, and More
 - Profile Appliance Manual Compatibility with Devices
 - Profile Appliance Manual Enhanced eBook Features
7. Enhancing Your Reading Experience
 - Adjustable Fonts and Text Sizes of Profile Appliance Manual
 - Highlighting and Note-Taking Profile Appliance Manual
 - Interactive Elements Profile Appliance Manual
8. Staying Engaged with Profile Appliance Manual
 - Joining Online Reading Communities
 - Participating in Virtual Book Clubs
 - Following Authors and Publishers Profile Appliance Manual
9. Balancing eBooks and Physical Books Profile Appliance Manual
 - Benefits of a Digital Library
 - Creating a Diverse Reading Collection Profile Appliance Manual
10. Overcoming Reading Challenges
 - Dealing with Digital Eye Strain
 - Minimizing Distractions
 - Managing Screen Time
11. Cultivating a Reading Routine Profile Appliance Manual
 - Setting Reading Goals Profile Appliance Manual
 - Carving Out Dedicated Reading Time

12. Sourcing Reliable Information of Profile Appliance Manual
 - Fact-Checking eBook Content of Profile Appliance Manual
 - Distinguishing Credible Sources
13. Promoting Lifelong Learning
 - Utilizing eBooks for Skill Development
 - Exploring Educational eBooks
14. Embracing eBook Trends
 - Integration of Multimedia Elements
 - Interactive and Gamified eBooks

Profile Appliance Manual Introduction

Profile Appliance Manual Offers over 60,000 free eBooks, including many classics that are in the public domain. Open Library: Provides access to over 1 million free eBooks, including classic literature and contemporary works. Profile Appliance Manual Offers a vast collection of books, some of which are available for free as PDF downloads, particularly older books in the public domain. Profile Appliance Manual : This website hosts a vast collection of scientific articles, books, and textbooks. While it operates in a legal gray area due to copyright issues, its a popular resource for finding various publications. Internet Archive for Profile Appliance Manual : Has an extensive collection of digital content, including books, articles, videos, and more. It has a massive library of free downloadable books. Free-eBooks Profile Appliance Manual Offers a diverse range of free eBooks across various genres. Profile Appliance Manual Focuses mainly on educational books, textbooks, and business books. It offers free PDF downloads for educational purposes. Profile Appliance Manual Provides a large selection of free eBooks in different genres, which are available for download in various formats, including PDF. Finding specific Profile Appliance Manual, especially related to Profile Appliance Manual, might be challenging as theyre often artistic creations rather than practical blueprints. However, you can explore the following steps to search for or create your own Online Searches: Look for websites, forums, or blogs dedicated to Profile Appliance Manual, Sometimes enthusiasts share their designs or concepts in PDF format. Books and Magazines Some Profile Appliance Manual books or magazines might include. Look for these in online stores or libraries. Remember that while Profile Appliance Manual, sharing copyrighted material without permission is not legal. Always ensure youre either creating your own or obtaining them from legitimate sources that allow sharing and downloading. Library Check if your local library offers eBook lending services. Many libraries have digital catalogs where you can borrow Profile Appliance Manual eBooks for free, including popular titles. Online Retailers: Websites like Amazon, Google Books, or Apple Books often sell eBooks. Sometimes, authors or publishers offer promotions or free

periods for certain books. Authors Website Occasionally, authors provide excerpts or short stories for free on their websites. While this might not be the Profile Appliance Manual full book, it can give you a taste of the authors writing style. Subscription Services Platforms like Kindle Unlimited or Scribd offer subscription-based access to a wide range of Profile Appliance Manual eBooks, including some popular titles.

FAQs About Profile Appliance Manual Books

What is a Profile Appliance Manual PDF? A PDF (Portable Document Format) is a file format developed by Adobe that preserves the layout and formatting of a document, regardless of the software, hardware, or operating system used to view or print it. **How do I create a Profile Appliance Manual PDF?** There are several ways to create a PDF: Use software like Adobe Acrobat, Microsoft Word, or Google Docs, which often have built-in PDF creation tools. Print to PDF: Many applications and operating systems have a "Print to PDF" option that allows you to save a document as a PDF file instead of printing it on paper. Online converters: There are various online tools that can convert different file types to PDF. **How do I edit a Profile Appliance Manual PDF?** Editing a PDF can be done with software like Adobe Acrobat, which allows direct editing of text, images, and other elements within the PDF. Some free tools, like PDFescape or Smallpdf, also offer basic editing capabilities. **How do I convert a Profile Appliance Manual PDF to another file format?** There are multiple ways to convert a PDF to another format: Use online converters like Smallpdf, Zamzar, or Adobe Acrobats export feature to convert PDFs to formats like Word, Excel, JPEG, etc. Software like Adobe Acrobat, Microsoft Word, or other PDF editors may have options to export or save PDFs in different formats. **How do I password-protect a Profile Appliance Manual PDF?** Most PDF editing software allows you to add password protection. In Adobe Acrobat, for instance, you can go to "File" -> "Properties" -> "Security" to set a password to restrict access or editing capabilities. Are there any free alternatives to Adobe Acrobat for working with PDFs? Yes, there are many free alternatives for working with PDFs, such as: LibreOffice: Offers PDF editing features. PDFsam: Allows splitting, merging, and editing PDFs. Foxit Reader: Provides basic PDF viewing and editing capabilities. How do I compress a PDF file? You can use online tools like Smallpdf, ILovePDF, or desktop software like Adobe Acrobat to compress PDF files without significant quality loss. Compression reduces the file size, making it easier to share and download. Can I fill out forms in a PDF file? Yes, most PDF viewers/editors like Adobe Acrobat, Preview (on Mac), or various online tools allow you to fill out forms in PDF files by selecting text fields and entering information. Are there any restrictions when working with PDFs? Some PDFs might have restrictions set by their creator, such as password protection, editing restrictions, or print restrictions. Breaking these restrictions might require specific software or tools, which may or may not be legal depending on the circumstances and local laws.

Find Profile Appliance Manual :

if you give a mouse a cookie moral lesson

i turned my mom into a unicorn

humanities through the arts

if you give a mouse a cookie set

how to win friends and influence people free book

human skeleton hand

icebreaker questions for women's bible study

iahcsmm crcst certification practice test

how to win poker tournaments

human anatomy & physiology laboratory manual cat version

ib history of the americas paper 3

huey long fdr

how to write a literacy autobiography

iep strengths examples

identify the choice that contains a sentence fragment

Profile Appliance Manual :