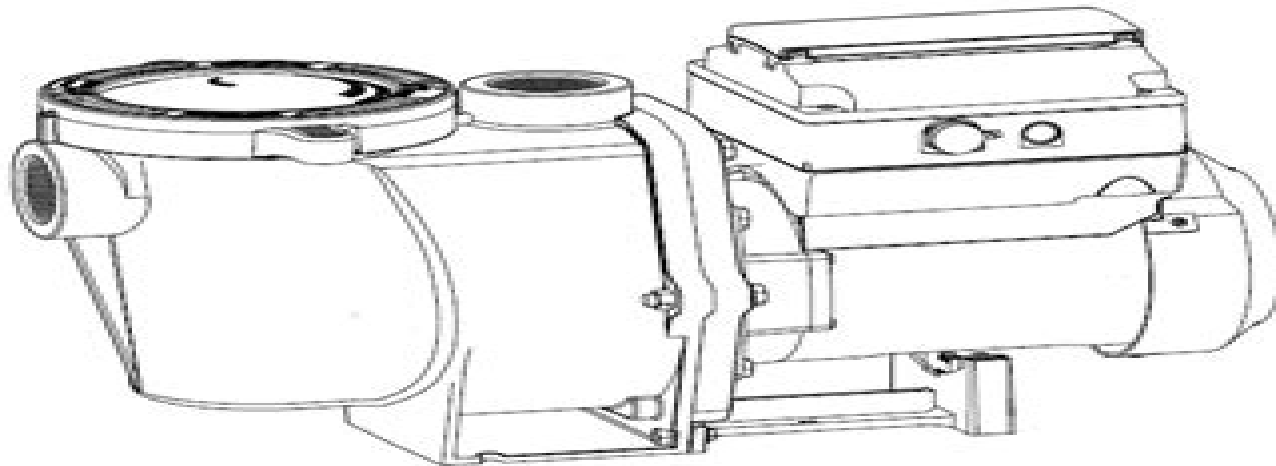




# INTELLIFLO® VSF VARIABLE SPEED AND FLOW PUMP



## INSTALLATION AND USER'S GUIDE



IMPORTANT SAFETY INSTRUCTIONS  
*READ AND FOLLOW ALL INSTRUCTIONS*  
SAVE THESE INSTRUCTIONS



# **Intelliflo Vf Manual**

**Craig Beaman, Clare Wilson**



# Intelliflo Vf Manual

My Revision Notes: OCR A Level Law Second Edition Craig Beauman, Clare Wilson, 2022-01-28 Target exam success with My Revision Notes Our updated approach to revision will help students learn practise and apply their skills and understanding Coverage of key content is combined with practical study tips and effective revision strategies to create a revision guide students can rely on to build both knowledge and confidence Plan and manage a successful revision programme using the topic by topic planner Enjoy an interactive approach to revision with clear topic summaries that consolidate knowledge and related activities that put the content into context Build practise and enhance exam skills by progressing through revision tasks and Test Yourself activities Improve exam technique through examstyle questions and sample answers with commentary from expert authors and teachers Get exam ready with extra quick quizzes and answers to the activities available online

**walkthrough wolfenstein 2 the new colossus guide ign** - Jun 29 2022

web nov 2 2017 ign s wolfenstein 2 the new colossus complete strategy guide and walkthrough will lead you through every step of wolfenstein 2 the new colossus from the title screen to the final credits

the art of wolfenstein ii the new colossus google books - May 09 2023

web jan 9 2018 the art of wolfenstein ii the new colossus machinegames dark horse comics jan 9 2018 games activities 184 pages immerse yourself in a world brought to life by unforgettable characters in

wolfenstein ii the new colossus - Sep 01 2022

web wolfenstein ii the new colossus is the eleventh installment of the wolfenstein series and a sequel to the 2014 s wolfenstein the new order developed by machinegames and published by bethesda softworks

take a look inside the wolfenstein 2 art book polygon - Sep 13 2023

web oct 23 2017 the art of wolfenstein 2 the new colossus is an upcoming deep dive on the production design of machinegames upcoming shooter and publisher dark horse books was kind enough to send over

**the art of wolfenstein 2 the new colossus kotaku australia** - Jun 10 2023

web jan 28 2020 the next wolfenstein game is presumably subtitled new colossus weep at this superhero tv show from wolfenstein the new colossus where nazis won world war ii wolfenstein devs celebrate quake

**art of wolfenstein ii the the new colossus 2 hardcover** - Jan 05 2023

web hardcover 23 nov 2017 immerse yourself in a world brought to life by unforgettable characters in a 1960s america flipped upside down by nazi occupation overflowing with concept art production material and exclusive commentary from the

creators of the newest entry in the epochal action franchise this beautiful hardcover belongs in the  
**the art of wolfenstein ii the new colossus penguin random** - Apr 08 2023

web nov 21 2017 overflowing with concept art production material machine games and bethesda softworks are proud to present the perfect companion to wolfenstein ii the new colossus machinegames is a video game developer based in uppsala sweden it was founded in 2009 by several members of starbreeze studio

**wolfenstein 2 the new colossus all concept art locations** - May 29 2022

web oct 31 2017 kevin thielenhaus get a look at the creation of wolfenstein 2 the new colossus with these concept art pages here s where to find them get a glimpse into the design

[the art of wolfenstein ii the new colossus readcomiconline](#) - Jul 11 2023

web sep 16 2019 the art of wolfenstein ii the new colossus genres video games publisher dark horse comics writer machine games artist bethesda publication date november 21 2017 status completed views 39 620 bookmark immerse yourself in a world brought to life by unforgettable characters in a 1960s america flipped upside down by

[the art of wolfenstein ii the new colossus youtube](#) - Dec 04 2022

web dec 15 2017 the art of wolfenstein ii the new colossus parka blogs 29 7k subscribers subscribe 284 13k views 4 years ago visit parkablogs com node 13339 for more pictures and the book

**artstation wolfenstein 2 the new colossus concept art** - Mar 27 2022

web concept art for wolfenstein 2 the new colossus for machinegames under the art direction of axel torvenius

**wolfenstein 2 the new colossus guide ign** - Oct 02 2022

web updated nov 4 2017 advertisement the wolfenstein 2 the new colossus wiki guide contains a full walkthrough for wolfenstein 2 including all of the gold concepts starcards max s toys and

**the art of wolfenstein ii the new colossus booktopia** - Feb 06 2023

web booktopia has the art of wolfenstein ii the new colossus the new colossus by machinegames buy a discounted hardcover of the art of wolfenstein ii the new colossus online from australia s leading online bookstore hurry order now for christmas delivery shop gift guide

**the art of wolfenstein ii the new colossus hc** - Aug 12 2023

web nov 21 2017 dark horse is proud to present the perfect companion to wolfenstein ii the new colossus overflowing with concept art and exclusive commentary from the creators of the newest entry in the epochal action franchise this beautiful hardcover belongs in the collection of art loving freedom fighters everywhere

[wolfenstein ii the new colossus playstation](#) - Feb 23 2022

web oct 26 2017 fight the nazis in iconic american locations equip an arsenal of badass guns and unleash new abilities to

blast your way through legions of nazi soldiers in this definitive first person shooter america 1961

**wolfenstein ii the new colossus wikipedia** - Nov 03 2022

web wolfenstein ii the new colossus was released to a positive critical response particular praise was directed at the characters narrative cast performance and gunplay as well as the general presentation of the game though its level design and gameplay received a mixed response from critics

**the art of wolfenstein ii the new colossus amazon com** - Oct 14 2023

web nov 21 2017 the art of wolfenstein ii the new colossus hardcover november 21 2017 by machinegames author Bethesda Softworks author 4.8 out of 5 stars 118 ratings

[the art of wolfenstein ii the new colossus pdf pdf scribd](#) - Jul 31 2022

web the art of wolfenstein ii the new colossus pdf free download as pdf file pdf or read online for free

[wolfenstein ii the new colossus on steam](#) - Apr 27 2022

web wolfenstein ii the new colossus is a fictional story set in an alternate universe in the 1960s names characters organizations locations and events are either imaginary or depicted in a fictionalized manner

*book review the art of wolfenstein ii the new colossus parka blogs* - Mar 07 2023

web dec 16 2017 book review the art of wolfenstein ii the new colossus submitted by teoh yi chie on december 16 2017 3:45pm when i first saw the game and the artbook i was intrigued by the concept of creating a game based on an alternate universe where the axis powers won world war ii

[how to read candlestick charts beginner s guide coingecko](#) - Jul 08 2022

web feb 16 2023 a long bodied candlestick denotes a strong trend with a substantial gain or loss and a tiny body indicates that the opening and closure were somewhat equal wick the wick is the line that extends from the top to the bottom of the body of a candlestick in some charts they are referred to as shadows

**candlestick charting for dummies cheat sheet** - Oct 23 2023

web may 3 2022 candlestick charting for dummies explore book buy on amazon make smart trading decisions using candlestick charting this cheat sheet shows you how to read the data that makes up a candlestick chart figure out how to analyze a candlestick chart and identify some common candlestick patterns

[candlestick charting for dummies by russell rhoads ebook](#) - Aug 09 2022

web candlestick charting for dummies sheds light on this time tested method for finding the perfect moment to buy or sell it demystifies technical and chart analysis and gives you the tools you need to identify trading patterns and pounce

**basics of candlestick charts in technical analysis dummies** - Jul 20 2023

web sep 2 2019 candlestick charting emphasizes the opening and closing prices of a stock security for a given day many

candlesticks are simple to use and interpret making it easier for a beginner to figure out bar analysis and for experienced traders to achieve new insights become familiar with candlestick bar notation open the opening price

**candlestick charting for dummies wiley** - Apr 17 2023

web candlestick charting for dummies sheds light on this time tested method for finding the perfect moment to buy or sell it demystifies technical and chart analysis and gives you the tools you need to identify trading patterns and pounce this friendly practical guide explains candlestick charting and technical analysis in plain english

*candlestick charting for dummies paperback 1 april 2008* - Sep 10 2022

web candlestick charting for dummies sheds light on this time tested method for finding the perfect moment to buy or sell it demystifies technical and chart analysis and gives you the tools you need to identify trading patterns and pounce this friendly practical guide explains candlestick charting and technical analysis in plain english

**candlestick charting for dummies 2nd edition wiley** - May 18 2023

web candlestick charting for dummies is here to show you that candlestick charts are not just for wall street traders everyday investors like you can make sense of all those little lines and boxes with just a little friendly dummies training

**candlestick charting for dummies 2nd edition o reilly media** - Feb 15 2023

web candlestick charting for dummies helps you build a foundation of investing knowledge and lingo bullish bearish what is a candlestick anyway then shows you the chart reading ropes with relevant and easy to understand examples it covers the latest investing technology cryptocurrency and today s somewhat less predictable market environment

[candlestick charting for dummies rhoads russell](#) - Sep 22 2023

web candlestick charting for dummies demystifies these weird little graphs showing you how to read the charts recognize the patterns and start trading like a pro fully updated for the latest stock market trends and changes including bitcoin

*candlestick charting for dummies book o reilly media* - Mar 16 2023

web candlestick charting for dummies sheds light on this time tested method for finding the perfect moment to buy or sell it demystifies technical and chart analysis and gives you the tools you need to identify trading patterns and pounce this friendly practical guide explains candlestick charting and technical analysis in plain english

[candlestick charting for dummies amazon com](#) - Jun 07 2022

web jun 10 2022 candlestick charting for dummies demystifies these weird little graphs showing you how to read the charts recognize the patterns and start trading like a pro fully updated for the latest stock market trends and changes including bitcoin this book puts technical tools at your fingertips

**candlestick charting for dummies by russell rhoads open** - Oct 11 2022

web nov 3 2021 candlestick charting for dummies by russell rhoads 2022 wiley sons limited john edition in english

**easy ways to read a candlestick chart 12 steps with pictures wikihow** - Jun 19 2023

web mar 25 2023 method 1 reading the parts of a candlestick download article 1 note that the market price is going up if the candlestick is green or blue the color of the candlestick is usually green or blue if the market is trending upwards this can vary depending on what chart you are looking at 1

**candlestick charting for dummies** - May 06 2022

web candlestick charting for dummies 2nd edition 1119869951 shows you how to read and use these charts to make smart trades

understanding basic candlestick charts investopedia - Aug 21 2023

web jul 15 2023 candlestick charts show that emotion by visually representing the size of price moves with different colors traders use the candlesticks to make trading decisions based on regularly

**candlestick charting for dummies kindle edition amazon com** - Mar 04 2022

web jun 30 2008 candlestick charting for dummies kindle edition by rhoads russell download it once and read it on your kindle device pc phones or tablets use features like bookmarks note taking and highlighting while reading candlestick charting for

candlestick charting for dummies o reilly media - Nov 12 2022

web creating candlestick charts using microsoft excel microsoft excel is an excellent tool for running all sorts of financial analyses one of the great features of excel is its charting tool selection from candlestick charting for dummies book

**candlestick charting for dummies russell rhoads google** - Jan 14 2023

web feb 4 2011 candlestick charting for dummies sheds light on this time tested method for finding the perfect moment to buy or sell it demystifies technical and chart analysis and gives you the tools you need to identify trading patterns and pounce

**candlestick charting for dummies paperback barnes noble** - Apr 05 2022

web jun 28 2022 candlestick charting for dummies by russell rhoads write a review paperback 2nd ed 29 99 paperback 29 99 ebook 18 00 view all available formats editions ship this item qualifies for free shipping choose expedited shipping at checkout for delivery by monday november 27 instant purchase pick up in store

*candlestick patterns explained plus free cheat sheet* - Dec 13 2022

web jun 4 2021 according to investopedia com it is commonly believed that candlestick charts were invented by a japanese rice futures trader from the 18th century his name was munehisa honma 2 honma traded on the dojima rice exchange of osaka considered to be the first formal futures exchange in history 3 as the father of candlestick charting

*uft danielson artifacts examples uniport edu ng* - Jun 01 2022

web aug 11 2023 uft danielson artifacts examples 1 1 downloaded from uniport edu ng on august 11 2023 by guest uft danielson artifacts examples getting the books uft danielson artifacts examples now is not type of inspiring means you could not unaccompanied going considering books amassing or library or borrowing from your

**uft danielson artifacts examples uniport edu ng** - Feb 26 2022

web uft danielson artifacts examples is available in our book collection an online access to it is set as public so you can download it instantly our digital library spans in multiple countries allowing you to get the most less latency time to download any of our books like this one

*object identification process in uft qtp complete guide* - Mar 10 2023

web oct 21 2020 smart identification in the 3rd stage uft checks if smart identification is defined and enabled smart identification is an object identification mechanism wherein uft uses a combination of fundamental properties of a test object class and some optional properties to identify an object

*uft danielson artifacts examples pdf free support ortax* - Jul 14 2023

web for example deep conceptual understanding the importance of student intellectual engagement and the precise use of language have always been at the foundation of the framework for teaching but are more clearly articulated in this

*uft danielson artifacts examples jetpack theaoi* - Jan 08 2023

web uft danielson artifacts examples introduction to nycdoe s new the rating of the teacher s practice along the components of the danielson examples of artifacts charlotte danielson but teachers can provide specific examples from the lesson to framework for teaching evaluation instrument 2013 edition an end of year guide to

**all about object models in qtp uft automated 360** - Nov 06 2022

web the objects in the document are in a hierarchy dom helps qtp to access this hierarchy of a web page directly by scripting to access the dom we use object method for the specific web object for example you can use dom to identify an object when qtp is not able to identify an object consider the part of page source below for google search page

**uft danielson artifacts examples analytics budgetbakers com** - Jul 02 2022

web uft danielson artifacts examples 1 handbook ground water ground water and contamination handbook on teacher portfolios for evaluation and professional development

**uft danielson artifacts examples uniport edu ng** - Dec 27 2021

web apr 24 2023 uft danielson artifacts examples 2 9 downloaded from uniport edu ng on april 24 2023 by guest right consequences to the results of these tests and what kinds of tradeoffs do these testing policies introduce this book responds to the growing emphasis on high stakes testing and offers recommendations for more effective test based

*uft danielson artifacts examples jetpack theaoi* - Dec 07 2022



web uft danielson artifacts examples possible artifacts for danielson domains one and four educator effectiveness pilot network april 2014 reflection on an assessment including what i would change danielson artifacts for the following are examples of some types of possible artifacts andrews edu 7erjo artifacts danielson 27s 20framework

**uft danielson artifacts examples pdf freewebmasterhelp com** - Apr 11 2023

web mar 12 2023 uft danielson artifacts examples is friendly in our digital library an online entrance to it is set as public as a result you can download it instantly our digital

**uft danielson artifacts examples uniport edu ng** - Jan 28 2022

web may 29 2023 we have the funds for uft danielson artifacts examples and numerous book collections from fictions to scientific research in any way among them is this uft danielson artifacts examples that can be your partner

*uft danielson artifacts examples help environment harvard edu* - Apr 30 2022

web this uft danielson artifacts examples as one of the most operating sellers here will totally be in the course of the best options to review a union of professionals charles t kerchner 1993

*uft danielson artifacts examples orientation sutd edu sg* - May 12 2023

web uft danielson artifacts examples uft danielson artifacts examples the domains of professional practice the danielson the danielson framework for teaching united federation possible artifacts for danielson domains one and four danielson framework example artifacts elements domain 1 framework for teaching evaluation

*the danielson framework for teaching united federation of* - Aug 15 2023

web the danielson framework for teaching all four domains and all 22 components of the framework below will be used for supporting and evaluating teacher practice domain 1 planning and preparation

**uft danielson artifacts examples** - Jun 13 2023

web the uft danielson artifacts examples member that we allow here and check out the link you could buy lead uft danielson artifacts examples or get it as soon as feasible you could quickly download this uft danielson artifacts examples after getting deal so past you require the books swiftly you can straight get it its

**uft danielson artifacts examples uniport edu ng** - Mar 30 2022

web jul 18 2023 uft danielson artifacts examples 2 10 downloaded from uniport edu ng on july 18 2023 by guest boston this important publication provides a way forward for educators families students and community members to co create just schools by honoring validating and celebrating each other s knowledge skills power and

uft tutorial object repository best guide for uft 14 x - Feb 09 2023

web step by step guide to add objects open the test application and move to the desire page screen to add objects open local object repository from uft by clicking on the object repository icon or pressing ctrl r keys in case of a shared repository we

can open it from resources object repository manager

uft120 15 x cp uft certification 15 x mock questions and - Oct 05 2022

web uft cert is our online unified functional testing certification engine with a unique set of 550 questions and answers uft cert will help you ace uft120 15 x cp exam and will also help you get a firm grasp over uft concepts the quiz software is designed to provide you with maximum learning in the least amount of time

**uft danielson artifacts examples** - Sep 04 2022

web uft danielson artifacts examples danielson domains one and four danielson instructional framework evidence artifacts artifact examples for danielson domains bing pdfsdirpp com framework for teaching rlas 116 the framework for teaching evaluation instrument tpep artifacts and evidence faq john s school

**uft danielson artifacts examples test accurascan com** - Aug 03 2022

web uft danielson artifacts examples 3 3 ese constructs guide adminis trators en gaged in meaningful school im provement efforts and pro vide research ers an agenda for future study the arti cles of the book capture decades of the oretical and re search work essential ideas for the reform of american schools iden tifies and syn thesises key

This is likewise one of the factors by obtaining the soft documents of this **Intelliflo Vf Manual** by online. You might not require more period to spend to go to the book initiation as competently as search for them. In some cases, you likewise reach not discover the broadcast Intelliflo Vf Manual that you are looking for. It will categorically squander the time.

However below, later than you visit this web page, it will be fittingly utterly easy to acquire as well as download guide Intelliflo Vf Manual

It will not believe many epoch as we tell before. You can pull off it even though con something else at house and even in your workplace. suitably easy! So, are you question? Just exercise just what we have enough money under as capably as review **Intelliflo Vf Manual** what you later to read!

[https://offsite.creighton.edu/files/virtual-library/Documents/hero\\_of\\_ages\\_chapter\\_summary.pdf](https://offsite.creighton.edu/files/virtual-library/Documents/hero_of_ages_chapter_summary.pdf)

[https://offsite.creighton.edu/files/virtual-library/Documents/harry\\_potter\\_crochet\\_patterns.pdf](https://offsite.creighton.edu/files/virtual-library/Documents/harry_potter_crochet_patterns.pdf)

[https://offsite.creighton.edu/files/virtual-library/Documents/hasui\\_kawase\\_prints.pdf](https://offsite.creighton.edu/files/virtual-library/Documents/hasui_kawase_prints.pdf)

## **Table of Contents Intelliflo Vf Manual**

1. Understanding the eBook Intelliflo Vf Manual
  - The Rise of Digital Reading Intelliflo Vf Manual
  - Advantages of eBooks Over Traditional Books
2. Identifying Intelliflo Vf Manual
  - Exploring Different Genres
  - Considering Fiction vs. Non-Fiction
  - Determining Your Reading Goals

3. Choosing the Right eBook Platform
  - Popular eBook Platforms
  - Features to Look for in an Intelliflo Vf Manual
  - User-Friendly Interface
4. Exploring eBook Recommendations from Intelliflo Vf Manual
  - Personalized Recommendations
  - Intelliflo Vf Manual User Reviews and Ratings
  - Intelliflo Vf Manual and Bestseller Lists
5. Accessing Intelliflo Vf Manual Free and Paid eBooks
  - Intelliflo Vf Manual Public Domain eBooks
  - Intelliflo Vf Manual eBook Subscription Services
  - Intelliflo Vf Manual Budget-Friendly Options
6. Navigating Intelliflo Vf Manual eBook Formats
  - ePub, PDF, MOBI, and More
  - Intelliflo Vf Manual Compatibility with Devices
  - Intelliflo Vf Manual Enhanced eBook Features
7. Enhancing Your Reading Experience
  - Adjustable Fonts and Text Sizes of Intelliflo Vf Manual
  - Highlighting and Note-Taking Intelliflo Vf Manual
  - Interactive Elements Intelliflo Vf Manual
8. Staying Engaged with Intelliflo Vf Manual
  - Joining Online Reading Communities
  - Participating in Virtual Book Clubs
  - Following Authors and Publishers Intelliflo Vf Manual
9. Balancing eBooks and Physical Books Intelliflo Vf Manual
  - Benefits of a Digital Library
  - Creating a Diverse Reading Collection Intelliflo Vf Manual
10. Overcoming Reading Challenges
  - Dealing with Digital Eye Strain
  - Minimizing Distractions

- Managing Screen Time
- 11. Cultivating a Reading Routine Intelliflo Vf Manual
  - Setting Reading Goals Intelliflo Vf Manual
  - Carving Out Dedicated Reading Time
- 12. Sourcing Reliable Information of Intelliflo Vf Manual
  - Fact-Checking eBook Content of Intelliflo Vf Manual
  - Distinguishing Credible Sources
- 13. Promoting Lifelong Learning
  - Utilizing eBooks for Skill Development
  - Exploring Educational eBooks
- 14. Embracing eBook Trends
  - Integration of Multimedia Elements
  - Interactive and Gamified eBooks

### **Intelliflo Vf Manual Introduction**

Free PDF Books and Manuals for Download: Unlocking Knowledge at Your Fingertips In today's fast-paced digital age, obtaining valuable knowledge has become easier than ever. Thanks to the internet, a vast array of books and manuals are now available for free download in PDF format. Whether you are a student, professional, or simply an avid reader, this treasure trove of downloadable resources offers a wealth of information, conveniently accessible anytime, anywhere. The advent of online libraries and platforms dedicated to sharing knowledge has revolutionized the way we consume information. No longer confined to physical libraries or bookstores, readers can now access an extensive collection of digital books and manuals with just a few clicks. These resources, available in PDF, Microsoft Word, and PowerPoint formats, cater to a wide range of interests, including literature, technology, science, history, and much more. One notable platform where you can explore and download free Intelliflo Vf Manual PDF books and manuals is the internet's largest free library. Hosted online, this catalog compiles a vast assortment of documents, making it a veritable goldmine of knowledge. With its easy-to-use website interface and customizable PDF generator, this platform offers a user-friendly experience, allowing individuals to effortlessly navigate and access the information they seek. The availability of free PDF books and manuals on this platform demonstrates its commitment to democratizing education and empowering individuals with the tools needed to succeed in their chosen fields. It allows anyone, regardless of their background or financial limitations, to expand their horizons and gain insights from experts in various disciplines. One of the most significant advantages of downloading PDF books and

manuals lies in their portability. Unlike physical copies, digital books can be stored and carried on a single device, such as a tablet or smartphone, saving valuable space and weight. This convenience makes it possible for readers to have their entire library at their fingertips, whether they are commuting, traveling, or simply enjoying a lazy afternoon at home. Additionally, digital files are easily searchable, enabling readers to locate specific information within seconds. With a few keystrokes, users can search for keywords, topics, or phrases, making research and finding relevant information a breeze. This efficiency saves time and effort, streamlining the learning process and allowing individuals to focus on extracting the information they need. Furthermore, the availability of free PDF books and manuals fosters a culture of continuous learning. By removing financial barriers, more people can access educational resources and pursue lifelong learning, contributing to personal growth and professional development. This democratization of knowledge promotes intellectual curiosity and empowers individuals to become lifelong learners, promoting progress and innovation in various fields. It is worth noting that while accessing free Intelliflo Vf Manual PDF books and manuals is convenient and cost-effective, it is vital to respect copyright laws and intellectual property rights. Platforms offering free downloads often operate within legal boundaries, ensuring that the materials they provide are either in the public domain or authorized for distribution. By adhering to copyright laws, users can enjoy the benefits of free access to knowledge while supporting the authors and publishers who make these resources available. In conclusion, the availability of Intelliflo Vf Manual free PDF books and manuals for download has revolutionized the way we access and consume knowledge. With just a few clicks, individuals can explore a vast collection of resources across different disciplines, all free of charge. This accessibility empowers individuals to become lifelong learners, contributing to personal growth, professional development, and the advancement of society as a whole. So why not unlock a world of knowledge today? Start exploring the vast sea of free PDF books and manuals waiting to be discovered right at your fingertips.

### **FAQs About Intelliflo Vf Manual Books**

How do I know which eBook platform is the best for me? Finding the best eBook platform depends on your reading preferences and device compatibility. Research different platforms, read user reviews, and explore their features before making a choice. Are free eBooks of good quality? Yes, many reputable platforms offer high-quality free eBooks, including classics and public domain works. However, make sure to verify the source to ensure the eBook credibility. Can I read eBooks without an eReader? Absolutely! Most eBook platforms offer webbased readers or mobile apps that allow you to read eBooks on your computer, tablet, or smartphone. How do I avoid digital eye strain while reading eBooks? To prevent digital eye strain, take regular breaks, adjust the font size and background color, and ensure proper lighting while reading eBooks.

What the advantage of interactive eBooks? Interactive eBooks incorporate multimedia elements, quizzes, and activities, enhancing the reader engagement and providing a more immersive learning experience. Intelliflo Vf Manual is one of the best book in our library for free trial. We provide copy of Intelliflo Vf Manual in digital format, so the resources that you find are reliable. There are also many Ebooks of related with Intelliflo Vf Manual. Where to download Intelliflo Vf Manual online for free? Are you looking for Intelliflo Vf Manual PDF? This is definitely going to save you time and cash in something you should think about. If you trying to find then search around for online. Without a doubt there are numerous these available and many of them have the freedom. However without doubt you receive whatever you purchase. An alternate way to get ideas is always to check another Intelliflo Vf Manual. This method for see exactly what may be included and adopt these ideas to your book. This site will almost certainly help you save time and effort, money and stress. If you are looking for free books then you really should consider finding to assist you try this. Several of Intelliflo Vf Manual are for sale to free while some are payable. If you arent sure if the books you would like to download works with for usage along with your computer, it is possible to download free trials. The free guides make it easy for someone to free access online library for download books to your device. You can get free download on free trial for lots of books categories. Our library is the biggest of these that have literally hundreds of thousands of different products categories represented. You will also see that there are specific sites catered to different product types or categories, brands or niches related with Intelliflo Vf Manual. So depending on what exactly you are searching, you will be able to choose e books to suit your own need. Need to access completely for Campbell Biology Seventh Edition book? Access Ebook without any digging. And by having access to our ebook online or by storing it on your computer, you have convenient answers with Intelliflo Vf Manual To get started finding Intelliflo Vf Manual, you are right to find our website which has a comprehensive collection of books online. Our library is the biggest of these that have literally hundreds of thousands of different products represented. You will also see that there are specific sites catered to different categories or niches related with Intelliflo Vf Manual So depending on what exactly you are searching, you will be able to choose ebook to suit your own need. Thank you for reading Intelliflo Vf Manual. Maybe you have knowledge that, people have search numerous times for their favorite readings like this Intelliflo Vf Manual, but end up in harmful downloads. Rather than reading a good book with a cup of coffee in the afternoon, instead they juggled with some harmful bugs inside their laptop. Intelliflo Vf Manual is available in our book collection an online access to it is set as public so you can download it instantly. Our digital library spans in multiple locations, allowing you to get the most less latency time to download any of our books like this one. Merely said, Intelliflo Vf Manual is universally compatible with any devices to read.

### **Find Intelliflo Vf Manual :**

[hero of ages chapter summary](#)

[harry potter crochet patterns](#)

[hasui kawase prints](#)

**hesi a2 reading comprehension practice test pdf**

[hermann goering wife](#)

**health assessment hesi**

*help desk procedures*

**heritage rabbit breeds**

~~history of the neo-1700 valley forge~~

**hipaa guidelines for medical assistants**

[harry hole books in order](#)

**haunting adeline free read**

[harry potter ol](#)

~~health unit coordinator training online~~

~~holy book or texts of judaism~~

**Intelliflo Vf Manual :**