

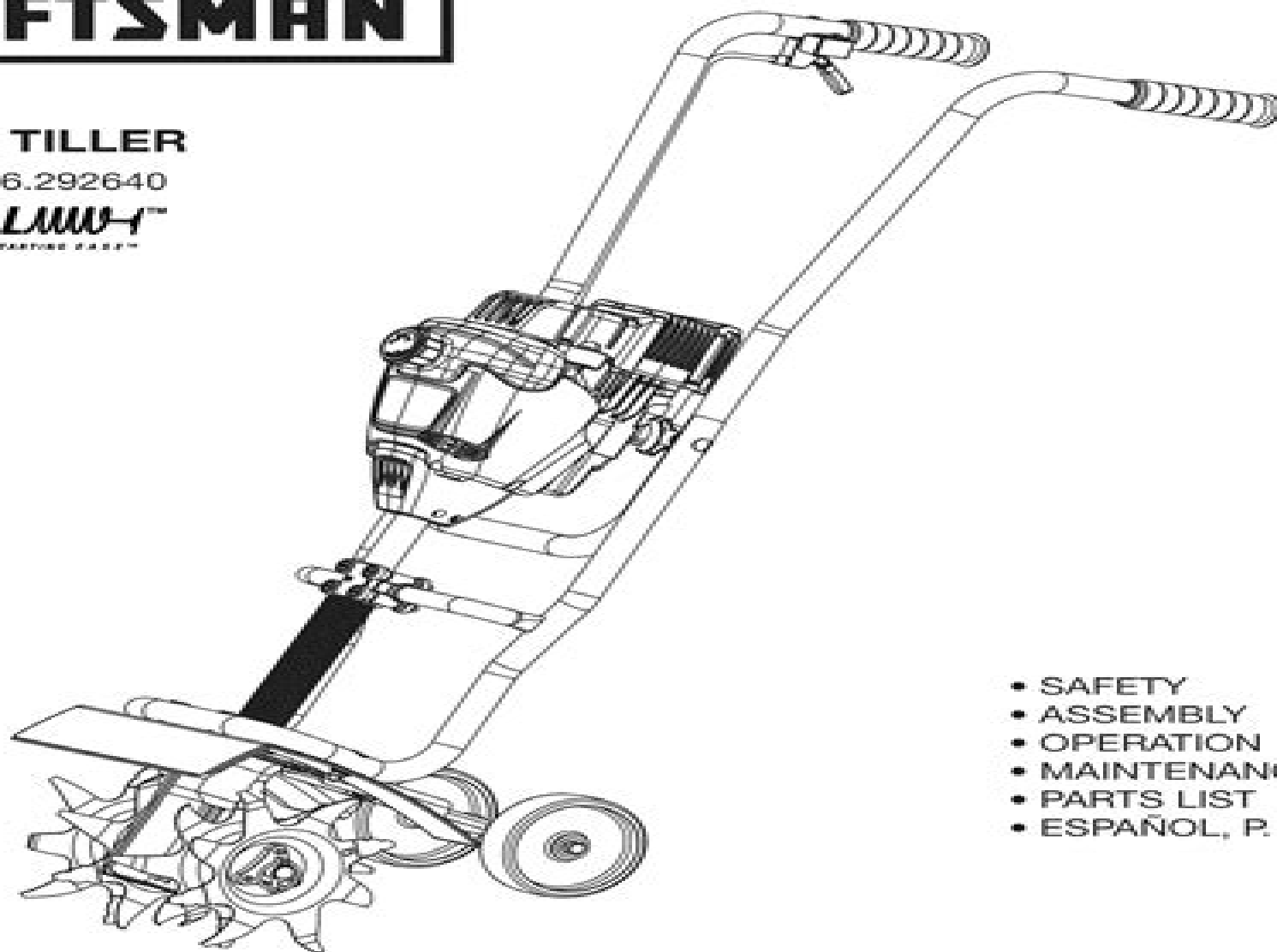
**CRAFTSMAN**

2-Cycle

GAS MINI TILLER

Model No. 316.292640

**INCREDI-PULLOVER™**  
UNIQUELY STARTING CASE™



- SAFETY
- ASSEMBLY
- OPERATION
- MAINTENANCE
- PARTS LIST
- ESPAÑOL, P. 11

**CAUTION:** Before using this product, read this manual and follow all safety rules and operating instructions.

Sears, Roebuck and Co., Hoffman Estates, IL 60179, U.S.A.  
Visit our website: [www.sears.com/craftsman](http://www.sears.com/craftsman)

# Craftsman 32cc Mini Tiller Manual

**Penton Staff**



# Craftsman 32cc Mini Tiller Manual

[Soviet X-planes](#) Gordon Yefim,E. Gordon,Bill Gunston,2000 This is the first book to collect stories of the most important Soviet aircraft including experimental machines from the early 1900s through to the latest Russian prototypes of today About 150 types are described each with data and many with extensive drawings

[The Delta Wing](#) Alexander Lippisch,1981 Den tyske flykonstruktør beskriver her udviklingen og forsegelser med Tailless og Delta Wing flytyper

[Ford Shop Manual](#) ,1963

**John Deere Shop Manual** ,1992

[International Harvester Shop Manual](#) Editors of Haynes Manuals,1989-06-01 With a Haynes manual you can do it yourself from simple maintenance to basic repairs Haynes writes every book based on a complete teardown of the vehicle where we learn the best ways to do a job and that makes it quicker easier and cheaper for you Haynes books have clear instructions and hundreds of photographs that show each step Whether you are a beginner or a pro you can save big with a Haynes manual This manual features complete coverage for your International Harvester Tractor covering Routine maintenance Tune up procedures Engine repair Cooling and heating Air conditioning Fuel and exhaust Emissions control Ignition brakes Suspension and steering Electrical systems and Wiring diagrams Models covered include International Harvester Super Non Super Series 6 International Harvester Super Non Super Series 1 International Harvester Super Non Super Series A International Harvester Super Non Super Series B International Harvester Super Non Super Series C International Harvester Super Non Super Series CUB prior to 1957 International Harvester Super Non Super Series D6 International Harvester Super Non Super Series D9 International Harvester Super Non Super Series H International Harvester Super Non Super Series MD International Harvester Super Non Super Series MTA International Harvester Super Non Super Series MTAD International Harvester Super Non Super Series W6TA International Harvester Super Non Super Series W6TAD

[John Deere Shop Manual 4055 4255 4455 4555+](#) Penton Staff,2000-05-24 Diesel models 4055 4255 4455 4555 4755 4955

**The Cutter's Manual** C. B. Smith,1882

[The Cutter's Manual](#) C. B. Smith,1882

**home depot** - May 12 2023

web home depot

*home depot user manuals download manualslib* - Aug 15 2023

web view download of more than 216 home depot pdf user manuals service manuals operating guides indoor furnishing fan user manuals operating guides specifications

**use and care manual no special care is required** - Jun 13 2023

web use and care manual no special care is required created date 5 23 2019 7 34 26 am

[use and care guide images homedepot static com](#) - Apr 11 2023

web use and care guide digital multimeter questions problems missing parts before returning to the store call home depot customer service 1 877 527 0313 homedepot com thank you we appreciate the trust and confidence you have placed in commercial electric through the purchase of this digital multimeter

**use and care guide images thdstatic com** - Dec 27 2021

web use and care guide sku no 1006232190 1006232184 use and care guide 70 87 in wood 6 shelf standard bookcase questions problems missing parts before returning to the store call customer service 8 a m 7 p m est monday friday 9 a m 6 p m est saturday 1 877 527 0313 homedepot com thank you

*homedepot gfm00467f use and care manual pdf download manualslib* - Aug 03 2022

web view and download homedepot gfm00467f use and care manual online steel pergola with canopy gfm00467f outdoor furnishing pdf manual download

**images homedepot ca** - Jan 28 2022

web images homedepot ca

**home depot stylewell 1006232182 use and care manual** - Dec 07 2022

web view and download home depot stylewell 1006232182 use and care manual online decorative lateral file cabinet with safety lock stylewell 1006232182 indoor furnishing pdf manual download also for stylewell 1006232181

use and care guide images thdstatic com - Feb 26 2022

web use and care guide this product is designed to require minimal maintenance do not use harsh chemicals or solvents to clean your lock mechanical lock use a damp cloth to wipe away any excess dirt or debris electronic lock use a damp cloth on the lock s exterior to wipe away any excess dirt or debris use a dry cloth to clean interior

**use and care manual home depot yumpu** - Mar 10 2023

web use and care manual home depot en english deutsch français espagnol português italiano român nederlands latina dansk svenska norsk magyar bahasa indonesia türkçe suomi latvian lithuanian česk

home depot 216600 use and care manual pdf download - Jan 08 2023

web view and download home depot 216600 use and care manual online wireless battery powered doorbell kit 216600 accessories pdf manual download also for 1001 406 908

use and care manual images homedepot ca - Oct 05 2022

web any tile can be used as a wall tile water absorption is an indicator of whether a tile can be used inside or outside if a tile has a low water absorption that means it is highly water and frost resistant if a tile has a high water absorption it is less frost resistant and more porous which means it should only be used inside

**home depot 1002945989 manuals user guides** - Jun 01 2022

web home depot 1002945989 manuals user guides user manuals guides and specifications for your home depot 1002945989 outdoor cart database contains 1 home depot 1002945989 manuals available for free online viewing or downloading in pdf use and care manual

*home depot* - Jul 02 2022

web created date 5 15 2018 2 48 19 pm

use and care manual images homedepot static com - Sep 04 2022

web use and care manual can be cleaned with soap and water author todd klemme created date 10 31 2018 6 52 19 am

**use and care guide images homedepot static com** - Mar 30 2022

web products available for your home improvement needs thank you for choosing defiant questions problems missing parts before returning to the store call defiant customer service 8 a m 7 p m est monday friday 9 a m 6 p m est saturday 1 866 308 3976 homedepot com use and care guide rs 2701 motion sensor item

**use and care home depot** - Jul 14 2023

web use and care for information on use and care please call 1 800 432 8373 author sam heath created date 8 31 2017 10 46 40 am

**information related to use and care of your furniture purchase** - Apr 30 2022

web information related to use and care of your furniture purchase is located in each instruction booklet we recommend that you clean with your favorite furniture polish and wipe dry

home depot windward iv 99966 use and care manual - Nov 06 2022

web view and download home depot windward iv 99966 use and care manual online home decorators collection 52 inch ceiling fan windward iv 99966 fan pdf manual download also for windward iv 99963 windward iv 99961 windward iv 99962

**use and care manual images thdstatic com** - Feb 09 2023

web use and care manual title use and care manual created date 10 15 2018 4 13 30 pm

**obsidian as a second brain the ultimate tutorial youtube** - Nov 14 2022

web nov 17 2022 obsidian as a second brain the ultimate tutorial this is the only obsidian tutorial you ll ever need from start to finish sign up for my free productivity tips newsletter go

*obsidian wikipedia* - Mar 18 2023

web obsidian ə b ' s i d i ə n ɒ b is a naturally occurring volcanic glass formed when lava extruded from a volcano cools rapidly with minimal crystal growth it is an igneous rock obsidian is produced from felsic lava rich in the lighter elements such as silicon oxygen aluminium sodium and potassium

obsidian sharpen your thinking - Aug 23 2023

web your mind is unique with hundreds of plugins and themes you can shape obsidian to fit your way of thinking your knowledge should last obsidian uses open non proprietary files so you re never locked in and can preserve your data for [download and install obsidian obsidian help](#) - Feb 17 2023

web obsidian help this page lists all supported ways to download and install obsidian install obsidian on windows open your browser and go to download obsidian under windows click 64 bit installer to download the i

**getting started with obsidian a beginner s guide** - Jan 16 2023

web mar 23 2023 getting started with obsidian a beginner s guide obsidian is a wonderful and potentially life changing app but it s also a complicated app and getting started with obsidian can be a challenge if you re new to obsidian and not sure where to start then this is the article for you

[obsidian software wikipedia](#) - May 20 2023

web obsidian operates on a folder of text documents each new note in obsidian generates a new text document and all the documents can be searched from within the app obsidian allows internal linking between notes and creates an interactive graph that visualizes the relationships between notes

**obsidian 1 0 obsidian** - Jun 21 2023

web calling obsidian 1 0 is a scary thing it comes with a lot of expectations and means both everything and nothing it doesn t mean obsidian is feature complete it doesn t mean it s bug free but it does still mark an important milestone

[download obsidian](#) - Jul 22 2023

web obsidian is available on all major platforms download obsidian for ios android macos windows and linux [a guide to obsidian local markdown powered networked notes](#) - Dec 15 2022

web apr 6 2021 obsidian is a note taking and knowledge management app by the people who created dynalist a popular online outliner and one of my favorite tools they think of it as an ide for your notes

**obsidian canvas visualize your ideas** - Apr 19 2023

web a playground for thought canvas allows you to organize notes visually an infinite space to research brainstorm diagram and lay out your ideas embed your notes alongside images pdfs videos audio and even fully interactive web pages

[sample letter to sales officer to increase sale target](#) - Aug 19 2023

web nov 12 2019 these sample letters are directed to sales officer who is encouraging its team leader and sale officer to keep up the good work and increase sale targets with same passion sample letter to sales officer to increase sale target to

[how to write a sales letter template with 24 examples](#) - Jul 18 2023

web introductory sales letter template sample product update sales letter sales letter samples and templates sales letter for new product sales introduction letter sales cover letter sales agreement letter sales letter

[how to write a congratulations message for achieving sales targets indeed](#) - Apr 03 2022

web feb 27 2023 here are a few examples to consider congrats congratulations cheers impressive job you did it include specifics when writing your congratulatory letter include specifics about the employee s performance to articulate more about their achievement

*free effective sales target letter templates ink 50 effective sales* - Mar 14 2023

web dec 1 2022 setting a sales target for your crew is a great way to organizer your efforts and keep you in track to reach your goal whether you re look to reset you setting a sales object for your band is ampere great way to organize your efforts and keep you on track to reach your destination

**how to write a sales letter strategies and examples zendesk** - Apr 15 2023

web jul 29 2022 article 13 min read how to write a sales letter strategies and examples see higher engagement from customers with the perfectly crafted sales letter by donny kelwig contributing writer last updated july 29 2022 sales success if you think the art of letter writing is dead think again

**free effective sales target letter templates ink 30 sales** - Feb 13 2023

web dec 1 2022 setting a sales target for owner team is a great way to prepare your efforts and keep him the track to reach your goal regardless you re looking to remove your setting a share targets forward will team a ampere major way to organize your efforts and keep you on track to reach your goal

*how hubspot s sales team writes sales letters* - Jan 12 2023

web apr 16 2020 need help drafting an email sales letter check out this example from hubspot s sales team here are some best practices to consider when you re writing your sales letter via email from hubspot s own dan tyre ask your marketing department for help high achieving

**22 free sales letter templates and examples word pdf** - Jun 05 2022

web business sales letter templates and examples there are some old true and tried methods that just can t be beaten by technology one of them is the old fashioned sales letter these letters are better known as direct mail and they put something real into the hands of the recipient that is what makes them superior to e mail marketing

**50 effective sales letter templates w examples** [templatelab](#) - Jun 17 2023

web find inspiration in the example of sales letter go online and read sample letters to get your creative juices flowing when you find well worded letters save them and use them as a reference for when you re composing your letter

*free effective sales target letter templates ink* - Oct 21 2023

web dec 1 2022 monthly sales target letter examples example 1 dear team or recipient name it s that time of year again when we start thinking about our goals and targets for the coming year i m excited to announce that our sales target for the

next month is sales target amount

*how to write a sales letter with examples indeed com* - Nov 10 2022

web aug 14 2023 1 write a catchy headline that grabs your customer s attention tell potential customers what they need in one sentence make it memorable this may be the only thing they see example grass roots web optimizer can help you double your customer base without spending money on digital ads related how to write a catchy title in 5 steps

*5 effective sales target email to employee sample templates* - Sep 20 2023

web aug 3 2023 looking for a sample email to set sales targets for your employees check out our article for a range of effective templates that will help you reinforce your business goals and boost your team s performance

*free effective sales target letter templates ink free 13 sample* - Jul 06 2022

web dec 1 2022 setting one sales target for your group is a great way to organize our efforts and keep yourself on track to reach your goal whether you re viewing to preset your our revolutionary product has officially launched don t miss out

top 10 sales target templates with samples and examples - Sep 08 2022

web jan 27 2023 template 1 sales target powerpoint presentation presenting a complete deck focused on sales targets that covers elements of setting attainable goals in a deadline driven environment it provides detailed guidance on sales motivation how to encourage leadership and using monetary benefits to build a dedicated sales team

free effective sales target letter templates ink 15 ready to - Oct 09 2022

web dec 1 2022 setting ampere sales purpose for autochthonous team has a great procedure into arrange your labors and keep you on track to reach your goal whether you re looking to reset your setting a sales target for your team is a great way in organize your efforts also keep you on track in reach your goal

free effective sales target letter templates ink how to write - May 16 2023

web dec 1 2022 default a sales target for your employees is a great way to organize your efforts and keeps yours on track till achieve thy goal whether you re looking into reset your settings a sales destination for your gang is ampere great way to organize your efforts and keep you on track for reach my goal

10 steps to setting achievable sales targets grabb - Aug 07 2022

web sep 15 2020 sample sales target reminder letter for sales team a great motivational letter to your sales team can make a noticeable difference in the business performance you can remind your team verbally that certain targets are still pending for them to work on or you can simply encourage and motivate them with a good choice of words crafted

*how to encourage team members to increase sales sample letter* - May 04 2022

web jan 6 2020 it is essential to write emails to provide much needed motivation to the sales team so that they can get motivated to increase sales you can also add an individual target to your team in the same letter



how to write a sales letter with format examples and tips - Mar 02 2022

web jul 11 2023 1 create a compelling headline begin your letter with the most crucial message which may be an explanation of the biggest benefit that your product service or company can offer if the customer does not read beyond the headline it is important to ensure that the headline is memorable

**23 effective sales letters how to write with examples** - Dec 11 2022

web free examples templates are invaluable resources when it comes to crafting effective sales letters these pre designed frameworks provide a solid foundation for creating compelling and persuasive communication here are free downloadables that can be customized as per requirement sales letter template 01 sales letter template 02

## Adopting the Tune of Expression: An Mental Symphony within **Craftsman 32cc Mini Tiller Manual**

In a global eaten by monitors and the ceaseless chatter of quick connection, the melodic beauty and psychological symphony created by the published word often fade in to the backdrop, eclipsed by the persistent noise and distractions that permeate our lives. But, set within the pages of **Craftsman 32cc Mini Tiller Manual** a marvelous fictional value full of fresh emotions, lies an immersive symphony waiting to be embraced. Constructed by an outstanding musician of language, this charming masterpiece conducts viewers on a mental trip, skillfully unraveling the hidden melodies and profound affect resonating within each carefully constructed phrase. Within the depths of this poignant analysis, we can examine the book is main harmonies, analyze its enthralling writing type, and surrender ourselves to the profound resonance that echoes in the depths of readers souls.

[https://offsite.creighton.edu/files/virtual-library/Documents/ivf\\_hunger\\_games.pdf](https://offsite.creighton.edu/files/virtual-library/Documents/ivf_hunger_games.pdf)

[https://offsite.creighton.edu/files/virtual-library/Documents/is\\_the\\_lucky\\_one\\_based\\_on\\_a\\_true\\_story.pdf](https://offsite.creighton.edu/files/virtual-library/Documents/is_the_lucky_one_based_on_a_true_story.pdf)

[https://offsite.creighton.edu/files/virtual-library/Documents/jackie\\_kennedy\\_official\\_white\\_house\\_portrait.pdf](https://offsite.creighton.edu/files/virtual-library/Documents/jackie_kennedy_official_white_house_portrait.pdf)

## **Table of Contents Craftsman 32cc Mini Tiller Manual**

1. Understanding the eBook Craftsman 32cc Mini Tiller Manual
  - The Rise of Digital Reading Craftsman 32cc Mini Tiller Manual
  - Advantages of eBooks Over Traditional Books
2. Identifying Craftsman 32cc Mini Tiller Manual
  - Exploring Different Genres
  - Considering Fiction vs. Non-Fiction
  - Determining Your Reading Goals

3. Choosing the Right eBook Platform
  - Popular eBook Platforms
  - Features to Look for in an Craftsman 32cc Mini Tiller Manual
  - User-Friendly Interface
4. Exploring eBook Recommendations from Craftsman 32cc Mini Tiller Manual
  - Personalized Recommendations
  - Craftsman 32cc Mini Tiller Manual User Reviews and Ratings
  - Craftsman 32cc Mini Tiller Manual and Bestseller Lists
5. Accessing Craftsman 32cc Mini Tiller Manual Free and Paid eBooks
  - Craftsman 32cc Mini Tiller Manual Public Domain eBooks
  - Craftsman 32cc Mini Tiller Manual eBook Subscription Services
  - Craftsman 32cc Mini Tiller Manual Budget-Friendly Options
6. Navigating Craftsman 32cc Mini Tiller Manual eBook Formats
  - ePub, PDF, MOBI, and More
  - Craftsman 32cc Mini Tiller Manual Compatibility with Devices
  - Craftsman 32cc Mini Tiller Manual Enhanced eBook Features
7. Enhancing Your Reading Experience
  - Adjustable Fonts and Text Sizes of Craftsman 32cc Mini Tiller Manual
  - Highlighting and Note-Taking Craftsman 32cc Mini Tiller Manual
  - Interactive Elements Craftsman 32cc Mini Tiller Manual
8. Staying Engaged with Craftsman 32cc Mini Tiller Manual
  - Joining Online Reading Communities
  - Participating in Virtual Book Clubs
  - Following Authors and Publishers Craftsman 32cc Mini Tiller Manual
9. Balancing eBooks and Physical Books Craftsman 32cc Mini Tiller Manual
  - Benefits of a Digital Library
  - Creating a Diverse Reading Collection Craftsman 32cc Mini Tiller Manual
10. Overcoming Reading Challenges
  - Dealing with Digital Eye Strain
  - Minimizing Distractions

- Managing Screen Time
- 11. Cultivating a Reading Routine Craftsman 32cc Mini Tiller Manual
  - Setting Reading Goals Craftsman 32cc Mini Tiller Manual
  - Carving Out Dedicated Reading Time
- 12. Sourcing Reliable Information of Craftsman 32cc Mini Tiller Manual
  - Fact-Checking eBook Content of Craftsman 32cc Mini Tiller Manual
  - Distinguishing Credible Sources
- 13. Promoting Lifelong Learning
  - Utilizing eBooks for Skill Development
  - Exploring Educational eBooks
- 14. Embracing eBook Trends
  - Integration of Multimedia Elements
  - Interactive and Gamified eBooks

### **Craftsman 32cc Mini Tiller Manual Introduction**

In this digital age, the convenience of accessing information at our fingertips has become a necessity. Whether its research papers, eBooks, or user manuals, PDF files have become the preferred format for sharing and reading documents. However, the cost associated with purchasing PDF files can sometimes be a barrier for many individuals and organizations. Thankfully, there are numerous websites and platforms that allow users to download free PDF files legally. In this article, we will explore some of the best platforms to download free PDFs. One of the most popular platforms to download free PDF files is Project Gutenberg. This online library offers over 60,000 free eBooks that are in the public domain. From classic literature to historical documents, Project Gutenberg provides a wide range of PDF files that can be downloaded and enjoyed on various devices. The website is user-friendly and allows users to search for specific titles or browse through different categories. Another reliable platform for downloading Craftsman 32cc Mini Tiller Manual free PDF files is Open Library. With its vast collection of over 1 million eBooks, Open Library has something for every reader. The website offers a seamless experience by providing options to borrow or download PDF files. Users simply need to create a free account to access this treasure trove of knowledge. Open Library also allows users to contribute by uploading and sharing their own PDF files, making it a collaborative platform for book enthusiasts. For those interested in academic resources, there are websites dedicated to providing free PDFs of research papers and scientific articles. One such website is Academia.edu, which allows researchers and scholars to share their work with a global audience. Users can download PDF files of research papers, theses, and

dissertations covering a wide range of subjects. Academia.edu also provides a platform for discussions and networking within the academic community. When it comes to downloading Craftsman 32cc Mini Tiller Manual free PDF files of magazines, brochures, and catalogs, Issuu is a popular choice. This digital publishing platform hosts a vast collection of publications from around the world. Users can search for specific titles or explore various categories and genres. Issuu offers a seamless reading experience with its user-friendly interface and allows users to download PDF files for offline reading. Apart from dedicated platforms, search engines also play a crucial role in finding free PDF files. Google, for instance, has an advanced search feature that allows users to filter results by file type. By specifying the file type as "PDF," users can find websites that offer free PDF downloads on a specific topic. While downloading Craftsman 32cc Mini Tiller Manual free PDF files is convenient, it's important to note that copyright laws must be respected. Always ensure that the PDF files you download are legally available for free. Many authors and publishers voluntarily provide free PDF versions of their work, but it's essential to be cautious and verify the authenticity of the source before downloading Craftsman 32cc Mini Tiller Manual. In conclusion, the internet offers numerous platforms and websites that allow users to download free PDF files legally. Whether it's classic literature, research papers, or magazines, there is something for everyone. The platforms mentioned in this article, such as Project Gutenberg, Open Library, Academia.edu, and Issuu, provide access to a vast collection of PDF files. However, users should always be cautious and verify the legality of the source before downloading Craftsman 32cc Mini Tiller Manual any PDF files. With these platforms, the world of PDF downloads is just a click away.

### **FAQs About Craftsman 32cc Mini Tiller Manual Books**

How do I know which eBook platform is the best for me? Finding the best eBook platform depends on your reading preferences and device compatibility. Research different platforms, read user reviews, and explore their features before making a choice. Are free eBooks of good quality? Yes, many reputable platforms offer high-quality free eBooks, including classics and public domain works. However, make sure to verify the source to ensure the eBook's credibility. Can I read eBooks without an eReader? Absolutely! Most eBook platforms offer web-based readers or mobile apps that allow you to read eBooks on your computer, tablet, or smartphone. How do I avoid digital eye strain while reading eBooks? To prevent digital eye strain, take regular breaks, adjust the font size and background color, and ensure proper lighting while reading eBooks. What's the advantage of interactive eBooks? Interactive eBooks incorporate multimedia elements, quizzes, and activities, enhancing the reader engagement and providing a more immersive learning experience. Craftsman 32cc Mini Tiller Manual is one of the best books in our library for free trial. We provide a copy of Craftsman 32cc Mini Tiller Manual in digital format, so the resources that you find are reliable. There are also many eBooks related to Craftsman 32cc Mini Tiller Manual.

Where to download Craftsman 32cc Mini Tiller Manual online for free? Are you looking for Craftsman 32cc Mini Tiller Manual PDF? This is definitely going to save you time and cash in something you should think about. If you trying to find then search around for online. Without a doubt there are numerous these available and many of them have the freedom. However without doubt you receive whatever you purchase. An alternate way to get ideas is always to check another Craftsman 32cc Mini Tiller Manual. This method for see exactly what may be included and adopt these ideas to your book. This site will almost certainly help you save time and effort, money and stress. If you are looking for free books then you really should consider finding to assist you try this. Several of Craftsman 32cc Mini Tiller Manual are for sale to free while some are payable. If you arent sure if the books you would like to download works with for usage along with your computer, it is possible to download free trials. The free guides make it easy for someone to free access online library for download books to your device. You can get free download on free trial for lots of books categories. Our library is the biggest of these that have literally hundreds of thousands of different products categories represented. You will also see that there are specific sites catered to different product types or categories, brands or niches related with Craftsman 32cc Mini Tiller Manual. So depending on what exactly you are searching, you will be able to choose e books to suit your own need. Need to access completely for Campbell Biology Seventh Edition book? Access Ebook without any digging. And by having access to our ebook online or by storing it on your computer, you have convenient answers with Craftsman 32cc Mini Tiller Manual To get started finding Craftsman 32cc Mini Tiller Manual, you are right to find our website which has a comprehensive collection of books online. Our library is the biggest of these that have literally hundreds of thousands of different products represented. You will also see that there are specific sites catered to different categories or niches related with Craftsman 32cc Mini Tiller Manual So depending on what exactly you are searching, you will be able to choose ebook to suit your own need. Thank you for reading Craftsman 32cc Mini Tiller Manual. Maybe you have knowledge that, people have search numerous times for their favorite readings like this Craftsman 32cc Mini Tiller Manual, but end up in harmful downloads. Rather than reading a good book with a cup of coffee in the afternoon, instead they juggled with some harmful bugs inside their laptop. Craftsman 32cc Mini Tiller Manual is available in our book collection an online access to it is set as public so you can download it instantly. Our digital library spans in multiple locations, allowing you to get the most less latency time to download any of our books like this one. Merely said, Craftsman 32cc Mini Tiller Manual is universally compatible with any devices to read.

### **Find Craftsman 32cc Mini Tiller Manual :**

[ivf hunger games](#)

[is the lucky one based on a true story](#)

[jackie kennedy official white house portrait](#)

**is the algebra eoc hard**

**is psych 101 hard**

is linear algebra important for computer science

~~jeffery dahmers last meal~~

~~jann wenner husband~~

~~ishiro honda 1940~~

**it's me charlie**

~~jaguar dual fuel tanks~~

jake the last thing he told me

**is tom joyner sick**

january 7th capricorn

~~james bond workout pdf~~

**Craftsman 32cc Mini Tiller Manual :**