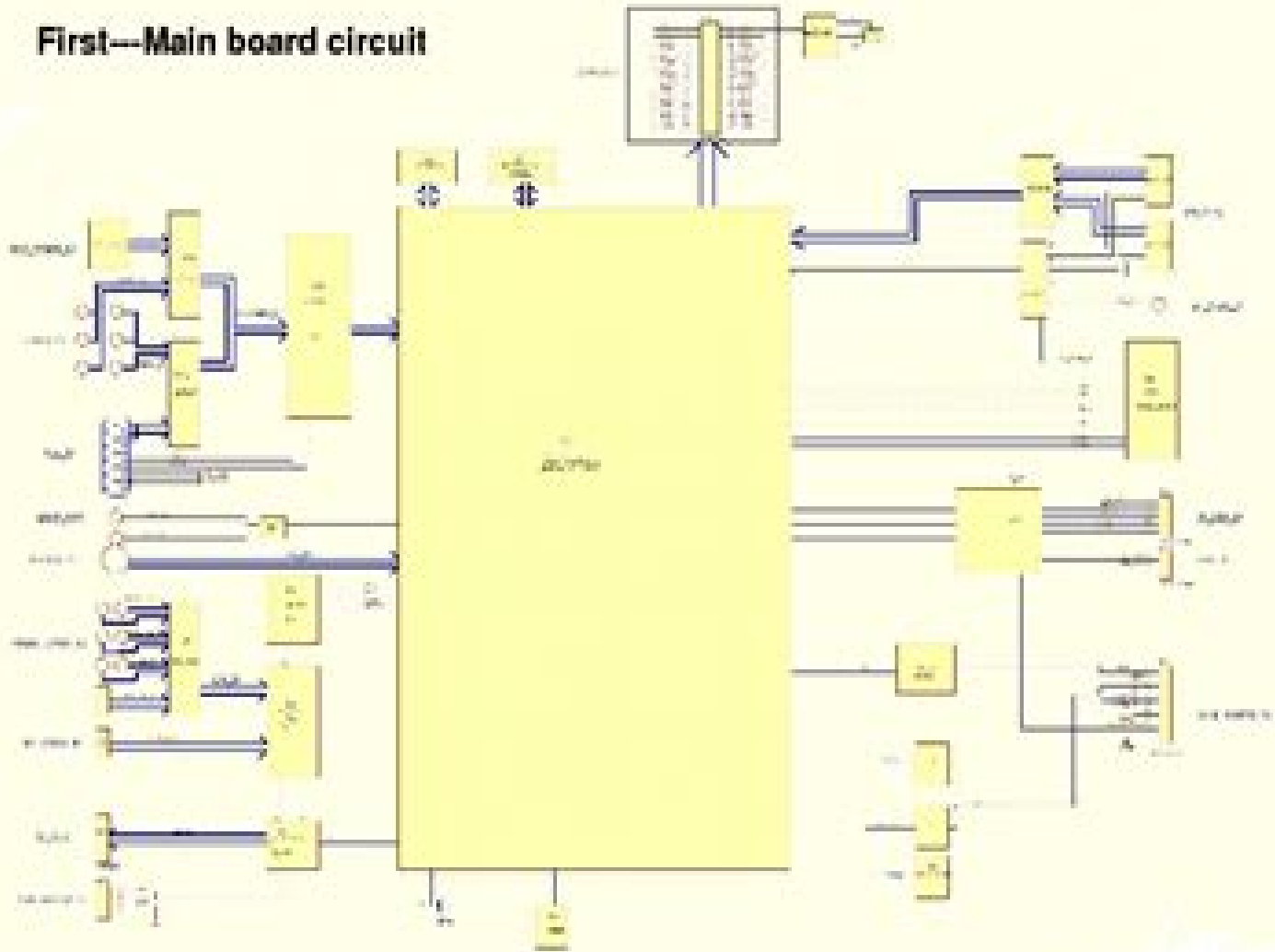


First—Main board circuit



Viore Lcd26v37hau Service Manual

SA Adler



Viore Lcd26v37hau Service Manual

sixth grade springboard holes pdf book - Dec 07 2022

web sixth grade springboard holes pdf is available in our digital library an online access to it is set as public so you can get it instantly our books collection hosts in multiple locations allowing you to get the most less latency time to download any of our books like this one

ela grades 6 12 springboard college board - Feb 09 2023

web beginning in grade 6 springboard english language arts students develop and refine skills in critical thinking close reading writing in various genres and doing research over the course of the program they read and analyze a wide range of texts in genres including poetry novels plays biographies nonfiction narratives speeches and films

springboard definition meaning merriam webster - Jan 28 2022

web springboard noun a flexible board usually secured at one end and used for gymnastic stunts or diving

a pre college summer program summer springboard - Dec 27 2021

web with summer springboard you won t sit in a lecture hall all day our high school summer programs blend a rich academic curriculum with dynamic workshops and projects that foster self discovery you ll spend the summer partnering with like minded students working together on stimulating real world projects reviewing the latest research

sixth grade springboard holes - Jul 14 2023

web sixth grade springboard holes the new swimmin hole sep 13 2022 noaa week mar 15 2020 signpost for northwest trails apr 08 2022 draft environmental impact statement apr 20 2023 bilingual education and social change mar 27 2021 a general introduction to bilingualism bilingual education and minority education in the united states

holes full term scheme of work plan lesson plan share my - Jun 13 2023

web feb 10 2020 this is a full scheme of work plan for the novel holes can be used as a springboard for daily lessons

6th grade springboard teaching resources ppt - Mar 30 2022

web browse 6th grade springboard resources on teachers pay teachers a marketplace trusted by millions of teachers for original educational resources browse catalog grades

sixth grade springboard holes sexybots - Jul 02 2022

web apr 4 2023 springboard 2021 springboard is a world class english language arts program for students in grade 6 12 written by teachers for teachers springboard offers proven instructional design to get students ready for the ap the sat and

college back cover springboard mathematics 2015 the sixth extinction elizabeth kolbert 2014

springboard activity 3 23 vocabulary holes flashcards quizlet - May 12 2023

web start studying springboard activity 3 23 vocabulary holes learn vocabulary terms and more with flashcards games and other study tools

sixth grade springboard holes app oaklandlibrary org - Aug 15 2023

web sixth grade springboard holes downloaded from app oaklandlibrary org by guest tyrone carolyn seedfolks multilingual matters a classic memoir that s gripping funny and ultimately unforgettable from the bestselling former national ambassador of books for young people a strong choice for summer reading an

sixthgradespringboardholes 2022 lms csasp g12 - Jun 01 2022

web sixthgradespringboardholes 1 sixthgradespringboardholes downloaded from lms csasp g12 br by guest dillon augustus

unit 4 the final act 6th grade springboard quizlet - Feb 26 2022

web start studying unit 4 the final act 6th grade springboard learn vocabulary terms and more with flashcards games and other study tools

sixth grade pacing guide 2022 2023 springboard - Apr 30 2022

web appropriate to grade level week of aug 15 19 2 periods 1 2 what makes a narrative narrative writing prompt focus benchmarks ela k12 ee 1 1 cite evidence to explain and justify reasoning ela k12 ee 2 1 read and comprehend grade level complex texts proficiently ela k12 ee 3 1 make inferences to support comprehension

holes by louis sachar worksheets and activities - Jan 08 2023

web stanley yelnats is a young boy who has unjustly been sent to a boys detention center there the boys spend all day everyday digging holes however stanley soon realizes they re doing more than just digging holes they re searching for something

sixth grade springboard holes psfnac faudiovisual com - Nov 06 2022

web sixth grade springboard holes springboard jenna frounfelker 6th grade ela april 20th 2018 in english language arts we use a program called springboard this is a program that is used at tarkanian middle school throughout 6th 7th and 8th grade middle school springboard english textual power levels at

sixth grade springboard holes 2023 - Mar 10 2023

web springboard 2021 springboard is a world class english language arts program for students in grade 6 12 written by teachers for teachers springboard offers proven instructional design to get students ready for the ap the sat and college back cover the himalayan club newsletter 1985 scientific american 1890 boys life 1921 07

sixth grade springboard holes pdf copy networks kualumni - Apr 11 2023

web 2021 springboard is a world class english language arts program for students in grade 6 12 written by teachers for teachers springboard offers proven instructional design to get students ready for the ap the sat and college back cover

springboard 2021 edreports - Sep 04 2022

web aug 27 2020 the springboard 2021 materials for grades 6 8 fully meet the expectations of alignment in all grades instruction practice and application of the standards are at a consistent level of appropriate rigor for each grade grade to grade students experience similar learning engagements and text and task rigor increases

sixth grade springboard holes wef tamu edu - Oct 05 2022

web 2 sixth grade springboard holes 2021 08 16 into the world of criminal defense by recounting narratives of his cases including a successful attack on a massachusetts death penalty statute appeals of two notorious homicide cases a serial murderer and a cop killer an effort to save the life of a little boy whose parents refused to give him

springboard english language arts grade 6 quizlet - Aug 03 2022

web our resource for springboard english language arts grade 6 includes answers to chapter exercises as well as detailed information to walk you through the process step by step with expert solutions for thousands of practice problems you can take the guesswork out of studying and move forward with confidence

qu est ce que le racisme bureau du respect de la personne - Dec 07 2022

web le racisme est d abord historiquement dans le contexte occidental une doctrine ou une idéologie qui s appuie sur l hypothèse de l existence de races humaines inégales entre elles cette doctrine produit des discours des idéologies des théories racistes

racisme sur les réseaux sociaux dois je supprimer ou répondre - Feb 26 2022

web jun 15 2020 le racisme ce n est pas seulement lorsqu on appelle quelqu un n c est plus que ça je ne sais pas si j ai l énergie pour répondre aux messages de cette personne mais si je ne dis rien

racisme quels sont vos droits en tant que victime service - Jun 01 2022

web oct 26 2020 le racisme est le fait manifester de la haine envers une personne en raison de son apparence physique ou de son origine nationale ou ethnique l antisémitisme est une forme de racisme

racism wikipedia - Sep 04 2022

web racism is discrimination and prejudice towards people based on their race or ethnicity racism can be present in social actions practices or political systems e g apartheid that support the expression of prejudice or aversion in discriminatory practices

c est quoi le racisme 1jour1actu com - Jun 13 2023

web oct 21 2021 c est quoi le racisme le racisme c est l idée selon laquelle l espèce humaine serait composée de plusieurs races différentes certaines de ces races seraient supérieures tandis que d autres seraient inférieures cette idée a conduit des peuples à vouloir en dominer d autres

racism definition history laws facts britannica - Nov 06 2022

web aug 29 2023 racism also called racialism the belief that humans may be divided into separate and exclusive biological entities called races that there is a causal link between inherited physical traits and traits of personality intellect morality and other cultural and behavioral features and that some races are innately superior to others

erdogan nous allons répliquer contre le racisme en türkiye - Feb 09 2023

web 15 hours ago le président erdogan a promis de répliquer avec véhémence contre les charlatans organisés sur les réseaux sociaux qui diffusent le racisme en türkiye türkiye erdogan souligne

le racisme le comprendre et le combattre banq - Aug 03 2022

web le racisme le comprendre et le combattre au cours des dernières années plusieurs événements ont suscité au sein de la population une prise de conscience du racisme vécu par les communautés culturelles et autochtones voici de nombreuses ressources pour vous renseigner sur de multiples facettes du racisme et contribuer à le combattre

retour sur l année 2021 quels sont les progrès réalisés pour - Apr 11 2023

web dec 30 2021 c est le racisme qui a permis la colonisation des amériques et du reste du monde c est le racisme qui a permis l esclavage donc un labeur forcé noir qui cultive des terres autochtones non cédées pour enrichir l europe qui a finalement a pu entrer dans la révolution industrielle et conquérir le reste du monde

définitions racisme dictionnaire de français larousse - Jul 02 2022

web nom masculin 1 idéologie fondée sur la croyance qu il existe une hiérarchie entre les groupes humains autrefois appelés races comportement inspiré par cette idéologie 2 figuré par exagération attitude d hostilité systématique à l égard d une catégorie déterminée de personnes racisme anti jeunes

le racisme et la discrimination à l égard des enfants sont - Jan 08 2023

web nov 18 2022 le racisme et la discrimination à l égard des enfants du fait de leur origine ethnique de leur langue et de leur religion sont présents dans tous les pays du monde déplore l unicef dans

racisme wikipédia - Aug 15 2023

web le racisme est une idéologie qui partant du postulat 1 de l existence de races au sein de l espèce humaine 2 considère que certaines catégories de personnes sont intrinsèquement supérieures à d autres 2 il se différencie ainsi du racialisme qui partant du même postulat ne considère pas les races comme inégales 3

racisme définition de racisme centre national de - Jan 28 2022

web racisme xénophobe racisme sexuel réponse du ministre de l'intérieur au cours d'une conférence de presse une nation qui doute de sa police est une nation fragile si le racisme anti policiers devait se perpétuer c'est rapidement le gouvernement tout entier qui serait atteint le point 12 sept 1977 p 89 col 2

un lexique du racisme étude sur les définitions opérationnelles - Mar 30 2022

web corporate author centre de recherche sur l'immigration l'ethnicité et la citoyenneté canada observatoire international sur le racisme et les discriminations person as author labelle micheline document code shs 2006 web ccar dp 1 collation 49 p language french year of publication 2006 programme and meeting document

pour démanteler le racisme il faut commencer par comprendre le - Oct 05 2022

web mar 27 2023 le président de l'assemblée générale des nations unies csaba kőrösi a déclaré que si la traite transatlantique des esclaves est terminée les fondements sur lesquels elle reposait n'ont pas

racisme actualités vidéos et infos en direct le monde fr - Mar 10 2023

web toute l'actualité sur le sujet racisme consultez l'ensemble des articles reportages directs photos et vidéos de la rubrique racisme publiés par le monde

contexte nations unies ██████████ ████████ - Jul 14 2023

web lutte contre le racisme l'année 2021 marque le 20e anniversaire de la déclaration et du programme d'action de durban adoptés par consensus lors de la conférence mondiale contre le racisme de

le racisme abîme nos sociétés et doit être éradiqué onu - May 12 2023

web may 30 2023 le racisme est un problème mondial et chaque pays doit prendre position contre lui a déclaré lundi le président de l'assemblée générale des nations unies csaba kőrösi lors d'une nouvelle

propos racistes et antisémites le figaro - Dec 27 2021

web 1 day ago le projet de loi porté par deux députés renaissance permettrait notamment l'émission d'un mandat d'arrêt en cas d'infractions graves à caractère raciste ou antisémite

racisme le dossier de la rédaction 1jour1actu - Apr 30 2022

web dossier spécial racisme la rédaction d'1jour1actu décrypte et analyse pour les enfants les dernières actus et infos sur le racisme

dbe 2014 nsc mechanical technology exemplar pdf uniport edu - Mar 15 2022

web may 7 2023 dbe 2014 nsc mechanical technology exemplar associate that we offer here and check out the link you could buy lead dbe 2014 nsc mechanical technology exemplar or get it as soon as feasible you could speedily download this dbe 2014 nsc mechanical technology exemplar after getting deal so

dbe 2014 nsc mechanical technology ex pdf jaarverslag funx - Apr 15 2022

web transformative change is truly awe inspiring enter the realm of db e 2014 nsc mechanical technology ex a mesmerizing literary masterpiece penned by way of a distinguished author guiding

[ulusal yeterlilik](#) - Dec 24 2022

web 10uy0002 4 makine bakımci seviye 4 yayın tarihi 28 09 2010 rev no 03 mesleki yeterlilik kurumu 2018 3 10uy0002 4 makine bakımci seviye 4 ulusal yeterliliği 1 yeterliliğin adi makine bakımci 2 referans kodu 10uy0002 4 3 seviye 4 4

curriculum national department of basic education - Oct 02 2023

web nsc 2014 november examination papers languages afrikaans title afrikaans fal p1 download mechanical technology title paper 1 english download paper 1 afrikaans download memo 1 english download call centre 0800 202 933 callcentre db e gov za switchboard 012 357 3000 certification

db e 2014 nsc mechanical technology ex lms duhs edu - Sep 20 2022

web jun 10 2023 get the db e 2014 nsc mechanical technology ex join that we have the finances for here and check out the link possibly you have expertise that people have look plentiful times for their favorite books later this db e 2014 nsc mechanical technology ex but end up in harmful downloads

[db e 2014 nsc mechanical technology ex pdf](#) - May 29 2023

web db e 2014 nsc mechanical technology ex complex motions and chaos in nonlinear systems jan 11 2023 this book brings together 12 chapters on a new stream of research examining complex phenomena in nonlinear systems including engineering physics and social science complex motions and chaos in

db e 2014 nsc mechanical technology ex 2022 wrbb neu - Oct 22 2022

web not discover the statement db e 2014 nsc mechanical technology ex that you are looking for it will entirely squander the time however below like you visit this web page it will be thus extremely easy to get as skillfully as download guide db e 2014 nsc

national senior certificate grade 12 advantage learn - Sep 01 2023

web national senior certificate grade 12 mechanical technology november 2014 memorandum marks 200 this memorandum consists of 18 pages question 2 safety 2 1 gas cylinders store full cylinders apart from empty cylinders keep in cool place and protect them from sunlight and other sources of heat

[db e 2014 nsc mechanical technology ex pdf](#) - Nov 22 2022

web download and install the db e 2014 nsc mechanical technology ex it is definitely simple then past currently we extend the belong to purchase and make bargains to download and install db e 2014 nsc mechanical technology ex in view of that simple national trade estimate report on foreign trade barriers united states office of the u s

db e 2014 nsc mechanical technology ex test naf - Feb 11 2022

web nsc mechanical technology ex as one of the majority running sellers here will totally be accompanied by by the best alternatives to review you could quickly retrieve this dbe 2014

dbe 2014 nsc mechanical technology ex pdf pdf - Apr 27 2023

web may 28 2023 dbe 2014 nsc mechanical technology ex pdf this is likewise one of the factors by obtaining the soft documents of this dbe 2014 nsc mechanical technology ex pdf by online

dbe 2014 nsc mechanical technology ex download only - Jun 17 2022

web 2 dbe 2014 nsc mechanical technology ex 2022 04 22 systems shaped by different political histories on either side of the botswana south africa border the study provides a detailed examination of the capacity of teachers how they teach how much **curriculum national department of basic education** - Jul 31 2023

web call centre 0800 202 933 callcentre dbe gov za switchboard 012 357 3000 certification certification dbe gov za 012 357 4511 3 government departments provincial departments of education government services

el ve makine nakışçılığı ustalık belgesi - Mar 27 2023

web meslek liselerinin 3 yıllık programlarından mezun olanlar alanları ile ilgili bir daldan ustalık sınavına girip başarılı olmaları halinde ustalık belgesi alırlar el ve makine nakışçılığı mesleğinde çalışabilmek için tercih sebebidir kendi

dbe 2014 nsc mechanical technology ex pdf wrbb neu - Aug 20 2022

web dbe 2014 nsc mechanical technology ex 1 dbe 2014 nsc mechanical technology ex right here we have countless book dbe 2014 nsc mechanical technology ex and collections to check out we additionally offer variant types and next type of the books to browse the gratifying book fiction history novel scientific research as without

dbe 2014 nsc mechanical technology ex pdf uniport edu - Jun 29 2023

web mar 28 2023 this online revelation dbe 2014 nsc mechanical technology ex can be one of the options to accompany you taking into consideration having other time it will not waste your time admit me the e book will entirely sky you other issue to read just invest tiny time to admittance this on line proclamation dbe 2014 nsc mechanical technology ex as

mechanical technology national department of basic - Feb 23 2023

web jan 8 2018 sciences computer applications technology information technology services consumer studies hospitality studies tourism technology mechanical technology civil technology

bilgisayarlı makine İmalatı İşlemleri cnc ustalık belgesi - Jan 25 2023

web meslek liselerinin 3 yıllık programlarından mezun olanlar alanları ile ilgili bir daldan ustalık sınavına girip başarılı olmaları halinde ustalık belgesi alırlar İlerleme yolları İlişki türü bilgisayarlı makine İmalatı İşlemleri cnc mesleğinde çalışabilmek için tercih sebebidir kendi işyerini açabilir

dbe 2014 nsc mechanical technology ex pdf store spiralny - May 17 2022

web 2 db2014nscmechanicaltechnologyex 2023 03 05 education economy society is a compelling and comprehensive antidote to the misconstrued nature of the relationship between education and society in south africa it provides a constructive critique of conventional discourses but also alternative approaches to understanding the

db2014nscmechanicaltechnologyex pdf net buckcenter edu - Jul 19 2022

web db2014nscmechanicaltechnologyex 1 db2014nscmechanicaltechnologyex db2014nscmechanicaltechnologyex
downloaded from net buckcenter edu ec by guest ellison guadalupe

Immerse yourself in heartwarming tales of love and emotion with Explore Love with is touching creation, **Viore Lcd26v37hau Service Manual** . This emotionally charged ebook, available for download in a PDF format (PDF Size: *), is a celebration of love in all its forms. Download now and let the warmth of these stories envelop your heart.

https://offsite.creighton.edu/files/virtual-library/Documents/nursing_care_plan_anemia.pdf

https://offsite.creighton.edu/files/virtual-library/Documents/object_oriented_modeling_is_based_on_the_concepts_of.pdf

https://offsite.creighton.edu/files/virtual-library/Documents/norbeck_wildlife_preserve.pdf

Table of Contents Viore Lcd26v37hau Service Manual

1. Understanding the eBook Viore Lcd26v37hau Service Manual
 - The Rise of Digital Reading Viore Lcd26v37hau Service Manual
 - Advantages of eBooks Over Traditional Books
2. Identifying Viore Lcd26v37hau Service Manual
 - Exploring Different Genres
 - Considering Fiction vs. Non-Fiction
 - Determining Your Reading Goals
3. Choosing the Right eBook Platform
 - Popular eBook Platforms
 - Features to Look for in an Viore Lcd26v37hau Service Manual
 - User-Friendly Interface
4. Exploring eBook Recommendations from Viore Lcd26v37hau Service Manual
 - Personalized Recommendations
 - Viore Lcd26v37hau Service Manual User Reviews and Ratings

- Viore Lcd26v37hau Service Manual and Bestseller Lists
- 5. Accessing Viore Lcd26v37hau Service Manual Free and Paid eBooks
 - Viore Lcd26v37hau Service Manual Public Domain eBooks
 - Viore Lcd26v37hau Service Manual eBook Subscription Services
 - Viore Lcd26v37hau Service Manual Budget-Friendly Options
- 6. Navigating Viore Lcd26v37hau Service Manual eBook Formats
 - ePub, PDF, MOBI, and More
 - Viore Lcd26v37hau Service Manual Compatibility with Devices
 - Viore Lcd26v37hau Service Manual Enhanced eBook Features
- 7. Enhancing Your Reading Experience
 - Adjustable Fonts and Text Sizes of Viore Lcd26v37hau Service Manual
 - Highlighting and Note-Taking Viore Lcd26v37hau Service Manual
 - Interactive Elements Viore Lcd26v37hau Service Manual
- 8. Staying Engaged with Viore Lcd26v37hau Service Manual
 - Joining Online Reading Communities
 - Participating in Virtual Book Clubs
 - Following Authors and Publishers Viore Lcd26v37hau Service Manual
- 9. Balancing eBooks and Physical Books Viore Lcd26v37hau Service Manual
 - Benefits of a Digital Library
 - Creating a Diverse Reading Collection Viore Lcd26v37hau Service Manual
- 10. Overcoming Reading Challenges
 - Dealing with Digital Eye Strain
 - Minimizing Distractions
 - Managing Screen Time
- 11. Cultivating a Reading Routine Viore Lcd26v37hau Service Manual
 - Setting Reading Goals Viore Lcd26v37hau Service Manual
 - Carving Out Dedicated Reading Time
- 12. Sourcing Reliable Information of Viore Lcd26v37hau Service Manual
 - Fact-Checking eBook Content of Viore Lcd26v37hau Service Manual
 - Distinguishing Credible Sources

13. Promoting Lifelong Learning
 - Utilizing eBooks for Skill Development
 - Exploring Educational eBooks
14. Embracing eBook Trends
 - Integration of Multimedia Elements
 - Interactive and Gamified eBooks

Viore Lcd26v37hau Service Manual Introduction

In this digital age, the convenience of accessing information at our fingertips has become a necessity. Whether its research papers, eBooks, or user manuals, PDF files have become the preferred format for sharing and reading documents. However, the cost associated with purchasing PDF files can sometimes be a barrier for many individuals and organizations. Thankfully, there are numerous websites and platforms that allow users to download free PDF files legally. In this article, we will explore some of the best platforms to download free PDFs. One of the most popular platforms to download free PDF files is Project Gutenberg. This online library offers over 60,000 free eBooks that are in the public domain. From classic literature to historical documents, Project Gutenberg provides a wide range of PDF files that can be downloaded and enjoyed on various devices. The website is user-friendly and allows users to search for specific titles or browse through different categories. Another reliable platform for downloading Viore Lcd26v37hau Service Manual free PDF files is Open Library. With its vast collection of over 1 million eBooks, Open Library has something for every reader. The website offers a seamless experience by providing options to borrow or download PDF files. Users simply need to create a free account to access this treasure trove of knowledge. Open Library also allows users to contribute by uploading and sharing their own PDF files, making it a collaborative platform for book enthusiasts. For those interested in academic resources, there are websites dedicated to providing free PDFs of research papers and scientific articles. One such website is Academia.edu, which allows researchers and scholars to share their work with a global audience. Users can download PDF files of research papers, theses, and dissertations covering a wide range of subjects. Academia.edu also provides a platform for discussions and networking within the academic community. When it comes to downloading Viore Lcd26v37hau Service Manual free PDF files of magazines, brochures, and catalogs, Issuu is a popular choice. This digital publishing platform hosts a vast collection of publications from around the world. Users can search for specific titles or explore various categories and genres. Issuu offers a seamless reading experience with its user-friendly interface and allows users to download PDF files for offline reading. Apart from dedicated platforms, search engines also play a crucial role in finding free PDF files. Google, for instance, has an advanced search feature that allows users to filter results by file type. By specifying the file type as "PDF," users can find websites that

offer free PDF downloads on a specific topic. While downloading Viore Lcd26v37hau Service Manual free PDF files is convenient, its important to note that copyright laws must be respected. Always ensure that the PDF files you download are legally available for free. Many authors and publishers voluntarily provide free PDF versions of their work, but its essential to be cautious and verify the authenticity of the source before downloading Viore Lcd26v37hau Service Manual. In conclusion, the internet offers numerous platforms and websites that allow users to download free PDF files legally. Whether its classic literature, research papers, or magazines, there is something for everyone. The platforms mentioned in this article, such as Project Gutenberg, Open Library, Academia.edu, and Issuu, provide access to a vast collection of PDF files. However, users should always be cautious and verify the legality of the source before downloading Viore Lcd26v37hau Service Manual any PDF files. With these platforms, the world of PDF downloads is just a click away.

FAQs About Viore Lcd26v37hau Service Manual Books

How do I know which eBook platform is the best for me? Finding the best eBook platform depends on your reading preferences and device compatibility. Research different platforms, read user reviews, and explore their features before making a choice. Are free eBooks of good quality? Yes, many reputable platforms offer high-quality free eBooks, including classics and public domain works. However, make sure to verify the source to ensure the eBook credibility. Can I read eBooks without an eReader? Absolutely! Most eBook platforms offer webbased readers or mobile apps that allow you to read eBooks on your computer, tablet, or smartphone. How do I avoid digital eye strain while reading eBooks? To prevent digital eye strain, take regular breaks, adjust the font size and background color, and ensure proper lighting while reading eBooks. What the advantage of interactive eBooks? Interactive eBooks incorporate multimedia elements, quizzes, and activities, enhancing the reader engagement and providing a more immersive learning experience. Viore Lcd26v37hau Service Manual is one of the best book in our library for free trial. We provide copy of Viore Lcd26v37hau Service Manual in digital format, so the resources that you find are reliable. There are also many Ebooks of related with Viore Lcd26v37hau Service Manual. Where to download Viore Lcd26v37hau Service Manual online for free? Are you looking for Viore Lcd26v37hau Service Manual PDF? This is definitely going to save you time and cash in something you should think about. If you trying to find then search around for online. Without a doubt there are numerous these available and many of them have the freedom. However without doubt you receive whatever you purchase. An alternate way to get ideas is always to check another Viore Lcd26v37hau Service Manual. This method for see exactly what may be included and adopt these ideas to your book. This site will almost certainly help you save time and effort, money and stress. If you are looking for free books then you really should consider finding to assist you try this. Several of Viore Lcd26v37hau Service Manual are for sale to free while some

are payable. If you are not sure if the books you would like to download work for use along with your computer, it is possible to download free trials. The free guides make it easy for someone to have free access to an online library for downloading books to your device. You can get free downloads on free trial for lots of book categories. Our library is the biggest of these that have literally hundreds of thousands of different product categories represented. You will also see that there are specific sites catered to different product types or categories, brands or niches related with Viore Lcd26v37hau Service Manual. So depending on what exactly you are searching, you will be able to choose e-books to suit your own need. Need to access completely for Campbell Biology Seventh Edition book? Access Ebook without any digging. And by having access to our ebook online or by storing it on your computer, you have convenient answers with Viore Lcd26v37hau Service Manual. To get started finding Viore Lcd26v37hau Service Manual, you are right to find our website which has a comprehensive collection of books online. Our library is the biggest of these that have literally hundreds of thousands of different products represented. You will also see that there are specific sites catered to different categories or niches related with Viore Lcd26v37hau Service Manual. So depending on what exactly you are searching, you will be able to choose ebook to suit your own need. Thank you for reading Viore Lcd26v37hau Service Manual. Maybe you have knowledge that, people have searched numerous times for their favorite readings like this Viore Lcd26v37hau Service Manual, but end up in harmful downloads. Rather than reading a good book with a cup of coffee in the afternoon, instead they juggled with some harmful bugs inside their laptop. Viore Lcd26v37hau Service Manual is available in our book collection and online access to it is set as public so you can download it instantly. Our digital library spans in multiple locations, allowing you to get the most less latency time to download any of our books like this one. Merely said, Viore Lcd26v37hau Service Manual is universally compatible with any devices to read.

Find Viore Lcd26v37hau Service Manual :

~~nursing care plan anemia~~

~~object oriented modeling is based on the concepts of~~

~~norbeck wildlife preserve~~

~~nursing interventions appendicitis~~

~~nursing diagnosis for impaired physical mobility~~

nursing teas test practice book

~~no luck nora home run~~

nwea norms chart 2022

~~nolan ryan pitching motion~~

[nursing care plan for urinary tract infection pdf](#)

o christmas tree in french

oh crap potty training steps

o holy night pdf

[no fear shakespear](#)

[nonprofit performance evaluation sample pdf](#)

Viore Lcd26v37hau Service Manual :