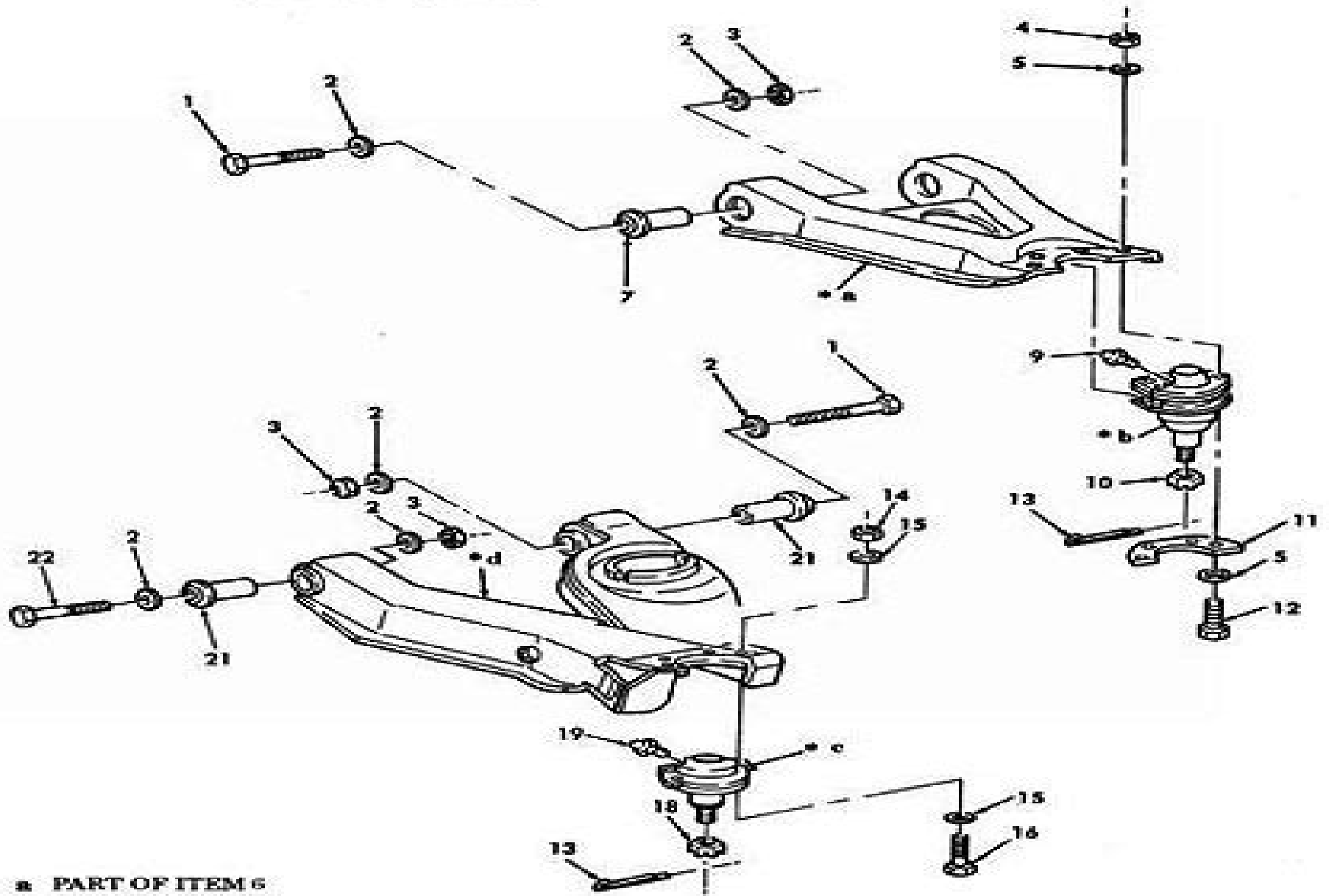


6 - 7

8 - 9 and 10

17 - 18 and 19

20 - 21



- a PART OF ITEM 6
- b PART OF ITEM 8
- c PART OF ITEM 17
- d PART OF ITEM 20

1996 Am General Hummer Ball Joint Manual

**William Lidwell, Kritina Holden, Jill
Butler**



1996 Am General Hummer Ball Joint Manual

1996 *Grand AM, Achieva, Skylark* General Motors Corporation,1995

FM 21-11 First Aid for Soldiers United States. War Department,2018-10-20 FM 21 11 1943 Basic field manual first aid for soldiers
OBSOLETE The purpose of this manual is to teach the soldier what he can do for himself or a fellow soldier if injury or sickness occurs when no medical officer or Medical Department soldier is nearby Information is also given concerning the use of certain supplies which are for the purpose of helping to keep well This field manual addresses wounds fractures dislocations sprains common emergencies and health measures effects of severe cold and heat measures for use in the jungle tropics and in aircraft and tank injuries transportation of sick and injured war gases and description and uses of first aid kits and packets

Disaster On Green Ramp: The Army's Response Mary Ellen Condon-Rall, Features the electronic book Disaster on Green Ramp The Army s Response by Mary Ellen Condon Rall of the Center of Military History in Washington D C Discusses a plane crash and massive fire at Pope Air Force Base North Carolina that killed or injured more than 100 paratroopers in 1994

Khobar Towers: Tragedy and Response Perry D. Jamieson,2008 This account of the Khobar Towers bombing tells the story of the horrific attack and the magnificent response of airmen doing their duty under nearly impossible circumstances None of them view their actions as heroic yet the reader will marvel at their calm professionalism All of them say it was just their job but the reader will wonder how they could be so well trained to act almost instinctively to do the right thing at the right time None of them would see their actions as selfless yet countless numbers refused medical attention until the more seriously injured got treatment Throughout this book the themes of duty commitment and devotion to comrades resoundingly underscore the notion that America s brightest bravest and best wear her uniforms in service to the nation This book is more than heroic actions though for there is also controversy Were commanders responsible for not adequately protecting their people What should one make of the several conflicting investigations following the attack Dr Jamieson has not shied away from these difficult questions and others but has discussed them and other controversial judgments in a straightforward and dispassionate way that will bring them into focus for everyone It is clear from this book that there is a larger issue than just the response to the bombing It is the issue of the example set by America s airmen Future airmen who read this book will be stronger and will stand on the shoulders of those who suffered and those who made the ultimate sacrifice

Popular Mechanics ,1998-08 Popular Mechanics inspires instructs and influences readers to help them master the modern world Whether it s practical DIY home improvement tips gadgets and digital technology information on the newest cars or the latest breakthroughs in science PM is the ultimate guide to our high tech lifestyle

North American Bird Banding Manual United States. Bird Banding Laboratory,1976

Tolerable upper intake levels for vitamins and minerals European Commission. Scientific Committee on Food,Europæiske Fødevarerikkerhedsautoritet,European Food Safety Authority. Scientific Panel on Dietetic Products, Nutrition and Allergies,2006

So Many, So Much, So Far, So Fast James K. Matthews,1996

Earth First! Direct Action Manual The Dam Collective,2015 300 pages of diagrams descriptions of techniques and a comprehensive overview of the role direct action plays in resistance from planning an action doing a soft blockade putting up a treesit or executing a lockdown to legal and prisoner support direct action trainings fun political pranks and more The DAM has been compiled and updated by frontline activists from around the US to help spread the knowledge and get these skills farther out in the world

Universal Principles of Design, Revised and Updated William Lidwell,Kritina Holden,Jill Butler,2010 Universal Principles of Design is the first comprehensive cross disciplinary encyclopedia of design

The Doolittle Family in America William Frederick Doolittle,Louise Smylie Brown,Malissa R Doolittle,2022-10-27 This work has been selected by scholars as being culturally important and is part of the knowledge base of civilization as we know it This work is in the public domain in the United States of America and possibly other nations Within the United States you may freely copy and distribute this work as no entity individual or corporate has a copyright on the body of the work Scholars believe and we concur that this work is important enough to be preserved reproduced and made generally available to the public We appreciate your support of the preservation process and thank you for being an important part of keeping this knowledge alive and relevant

Traffic Signal Timing Manual U.s. Department of Transportation,Federal Highway Administration,2015-02-20 This report serves as a comprehensive guide to traffic signal timing and documents the tasks completed in association with its development The focus of this document is on traffic signal control principles practices and procedures It describes the relationship between traffic signal timing and transportation policy and addresses maintenance and operations of traffic signals It represents a synthesis of traffic signal timing concepts and their application and focuses on the use of detection related timing parameters and resulting effects to users at the intersection It discusses advanced topics briefly to raise awareness related to their use and application The purpose of the Signal Timing Manual is to provide direction and guidance to managers supervisors and practitioners based on sound practice to proactively and comprehensively improve signal timing The outcome of properly training staff and proactively operating and maintaining traffic signals is signal timing that reduces congestion and fuel consumption ultimately improving our quality of life and the air we breathe This manual provides an easy to use concise practical and modular guide on signal timing The elements of signal timing from policy and funding considerations to timing plan development assessment and maintenance are covered in the manual The manual is the culmination of research into practices across North America and serves as a reference for a range of practitioners from those involved in the day to day management operation and maintenance of traffic signals to those that plan design operate and maintain these systems

Copper and Bronze in Art David A. Scott,2002 This is a review of 190 years of literature on copper and its alloys It integrates information on pigments corrosion and minerals and discusses environmental conditions conservation methods ancient and historical technologies

Traffic Engineering Handbook ITE (Institute of Transportation Engineers), Brian Wolshon, Anurag Pande, 2016-01-26 Get a complete look into modern traffic engineering solutions Traffic Engineering Handbook Seventh Edition is a newly revised text that builds upon the reputation as the go to source of essential traffic engineering solutions that this book has maintained for the past 70 years The updated content reflects changes in key industry standards and shines a spotlight on the needs of all users the design of context sensitive roadways and the development of more sustainable transportation solutions Additionally this resource features a new organizational structure that promotes a more functionally driven multimodal approach to planning designing and implementing transportation solutions A branch of civil engineering traffic engineering concerns the safe and efficient movement of people and goods along roadways Traffic flow road geometry sidewalks crosswalks cycle facilities shared lane markings traffic signs traffic lights and more all of these elements must be considered when designing public and private sector transportation solutions Explore the fundamental concepts of traffic engineering as they relate to operation design and management Access updated content that reflects changes in key industry leading resources such as the Highway Capacity Manual HCM Manual on Uniform Traffic Control Devices MUTCD AASHTO Policy on Geometric Design Highway Safety Manual HSM and Americans with Disabilities Act Understand the current state of the traffic engineering field Leverage revised information that homes in on the key topics most relevant to traffic engineering in today s world such as context sensitive roadways and sustainable transportation solutions Traffic Engineering Handbook Seventh Edition is an essential text for public and private sector transportation practitioners transportation decision makers public officials and even upper level undergraduate and graduate students who are studying transportation engineering

Future Directions for the Demography of Aging National Academies of Sciences, Engineering, and Medicine, Division of Behavioral and Social Sciences and Education, Committee on Population, 2018-07-21 Almost 25 years have passed since the Demography of Aging 1994 was published by the National Research Council Future Directions for the Demography of Aging is in many ways the successor to that original volume The Division of Behavioral and Social Research at the National Institute on Aging NIA asked the National Academies of Sciences Engineering and Medicine to produce an authoritative guide to new directions in demography of aging The papers published in this report were originally presented and discussed at a public workshop held in Washington D C August 17 18 2017 The workshop discussion made evident that major new advances had been made in the last two decades but also that new trends and research directions have emerged that call for innovative conceptual design and measurement approaches The report reviews these recent trends and also discusses future directions for research on a range of topics that are central to current research in the demography of aging Looking back over the past two decades of demography of aging research shows remarkable advances in our understanding of the health and well being of the older population Equally exciting is that this report sets the stage for the next two decades of innovative research a period of rapid growth in the older American population

Popular Science ,2002-12 Popular Science gives our readers the information and tools to improve their technology and their world The core belief that Popular Science and our readers share The future is going to be better and science and technology are the driving forces that will help make it better

Transportation in an Aging Society ,2004

Using R for Introductory Statistics John Verzani, 2018-10-03 The second edition of a bestselling textbook *Using R for Introductory Statistics* guides students through the basics of R helping them overcome the sometimes steep learning curve The author does this by breaking the material down into small task oriented steps The second edition maintains the features that made the first edition so popular while updating data examples and changes to R in line with the current version See *What's New in the Second Edition* Increased emphasis on more idiomatic R provides a grounding in the functionality of base R Discussions of the use of RStudio helps new R users avoid as many pitfalls as possible Use of knitr package makes code easier to read and therefore easier to reason about Additional information on computer intensive approaches motivates the traditional approach Updated examples and data make the information current and topical The book has an accompanying package *UsingR* available from CRAN R's repository of user contributed packages The package contains the data sets mentioned in the text *data* package *UsingR* answers to selected problems answers a few demonstrations demo the errata errata and sample code from the text The topics of this text line up closely with traditional teaching progression however the book also highlights computer intensive approaches to motivate the more traditional approach The authors emphasize realistic data and examples and rely on visualization techniques to gather insight They introduce statistics and R seamlessly giving students the tools they need to use R and the information they need to navigate the sometimes complex world of statistical computing

Essentials of Business Communication Mary Ellen Guffey, 2004 This text workbook is a streamlined no nonsense approach to business communication It takes a three in one approach 1 text 2 practical workbook and 3 self teaching grammar mechanics handbook The chapters reinforce basic writing skills then apply these skills to a variety of memos letters reports and resumes This new edition features increased coverage of contemporary business communication issues including oral communication electronic forms of communication diversity and ethics

A-10s Over Kosovo Phil M. Haun, Christopher E. Haave, Air University Press, 2011 First published in 2003 The NATO led Operation Allied Force was fought in 1999 to stop Serb atrocities against ethnic Albanians in Kosovo This war as noted by the distinguished military historian John Keegan marked a real turning point and proved that a war can be won by airpower alone Colonels Haave and Haun have organized firsthand accounts of some of the people who provided that airpower the members of the 40th Expeditionary Operations Group Their descriptions a new wingman's first combat sortie a support officer's view of a fighter squadron relocation during combat and a Sandy's leadership in finding and rescuing a downed F 117 pilot provide the reader with a legitimate insight into an air war at the tactical level and the airpower that helped convince the Serbian president Slobodan Milosevic to capitulate

When people should go to the ebook stores, search creation by shop, shelf by shelf, it is in reality problematic. This is why we provide the book compilations in this website. It will categorically ease you to see guide **1996 Am General Hummer Ball Joint Manual** as you such as.

By searching the title, publisher, or authors of guide you in point of fact want, you can discover them rapidly. In the house, workplace, or perhaps in your method can be all best place within net connections. If you aspire to download and install the 1996 Am General Hummer Ball Joint Manual, it is completely easy then, past currently we extend the member to buy and create bargains to download and install 1996 Am General Hummer Ball Joint Manual in view of that simple!

<https://offsite.creighton.edu/results/book-search/default.aspx/Growing%20Weed%20Hydroponics.pdf>

https://offsite.creighton.edu/results/book-search/default.aspx/Graph_Paper_For_Cross_Stitch.pdf

https://offsite.creighton.edu/results/book-search/default.aspx/Graphic_Design_After_Effects.pdf

Table of Contents 1996 Am General Hummer Ball Joint Manual

1. Understanding the eBook 1996 Am General Hummer Ball Joint Manual
 - The Rise of Digital Reading 1996 Am General Hummer Ball Joint Manual
 - Advantages of eBooks Over Traditional Books
2. Identifying 1996 Am General Hummer Ball Joint Manual
 - Exploring Different Genres
 - Considering Fiction vs. Non-Fiction
 - Determining Your Reading Goals
3. Choosing the Right eBook Platform
 - Popular eBook Platforms
 - Features to Look for in an 1996 Am General Hummer Ball Joint Manual
 - User-Friendly Interface
4. Exploring eBook Recommendations from 1996 Am General Hummer Ball Joint Manual
 - Personalized Recommendations
 - 1996 Am General Hummer Ball Joint Manual User Reviews and Ratings
 - 1996 Am General Hummer Ball Joint Manual and Bestseller Lists

5. Accessing 1996 Am General Hummer Ball Joint Manual Free and Paid eBooks
 - 1996 Am General Hummer Ball Joint Manual Public Domain eBooks
 - 1996 Am General Hummer Ball Joint Manual eBook Subscription Services
 - 1996 Am General Hummer Ball Joint Manual Budget-Friendly Options
6. Navigating 1996 Am General Hummer Ball Joint Manual eBook Formats
 - ePub, PDF, MOBI, and More
 - 1996 Am General Hummer Ball Joint Manual Compatibility with Devices
 - 1996 Am General Hummer Ball Joint Manual Enhanced eBook Features
7. Enhancing Your Reading Experience
 - Adjustable Fonts and Text Sizes of 1996 Am General Hummer Ball Joint Manual
 - Highlighting and Note-Taking 1996 Am General Hummer Ball Joint Manual
 - Interactive Elements 1996 Am General Hummer Ball Joint Manual
8. Staying Engaged with 1996 Am General Hummer Ball Joint Manual
 - Joining Online Reading Communities
 - Participating in Virtual Book Clubs
 - Following Authors and Publishers 1996 Am General Hummer Ball Joint Manual
9. Balancing eBooks and Physical Books 1996 Am General Hummer Ball Joint Manual
 - Benefits of a Digital Library
 - Creating a Diverse Reading Collection 1996 Am General Hummer Ball Joint Manual
10. Overcoming Reading Challenges
 - Dealing with Digital Eye Strain
 - Minimizing Distractions
 - Managing Screen Time
11. Cultivating a Reading Routine 1996 Am General Hummer Ball Joint Manual
 - Setting Reading Goals 1996 Am General Hummer Ball Joint Manual
 - Carving Out Dedicated Reading Time
12. Sourcing Reliable Information of 1996 Am General Hummer Ball Joint Manual
 - Fact-Checking eBook Content of 1996 Am General Hummer Ball Joint Manual
 - Distinguishing Credible Sources
13. Promoting Lifelong Learning

- Utilizing eBooks for Skill Development
 - Exploring Educational eBooks
14. Embracing eBook Trends
- Integration of Multimedia Elements
 - Interactive and Gamified eBooks

1996 Am General Hummer Ball Joint Manual Introduction

Free PDF Books and Manuals for Download: Unlocking Knowledge at Your Fingertips In today's fast-paced digital age, obtaining valuable knowledge has become easier than ever. Thanks to the internet, a vast array of books and manuals are now available for free download in PDF format. Whether you are a student, professional, or simply an avid reader, this treasure trove of downloadable resources offers a wealth of information, conveniently accessible anytime, anywhere. The advent of online libraries and platforms dedicated to sharing knowledge has revolutionized the way we consume information. No longer confined to physical libraries or bookstores, readers can now access an extensive collection of digital books and manuals with just a few clicks. These resources, available in PDF, Microsoft Word, and PowerPoint formats, cater to a wide range of interests, including literature, technology, science, history, and much more. One notable platform where you can explore and download free 1996 Am General Hummer Ball Joint Manual PDF books and manuals is the internet's largest free library. Hosted online, this catalog compiles a vast assortment of documents, making it a veritable goldmine of knowledge. With its easy-to-use website interface and customizable PDF generator, this platform offers a user-friendly experience, allowing individuals to effortlessly navigate and access the information they seek. The availability of free PDF books and manuals on this platform demonstrates its commitment to democratizing education and empowering individuals with the tools needed to succeed in their chosen fields. It allows anyone, regardless of their background or financial limitations, to expand their horizons and gain insights from experts in various disciplines. One of the most significant advantages of downloading PDF books and manuals lies in their portability. Unlike physical copies, digital books can be stored and carried on a single device, such as a tablet or smartphone, saving valuable space and weight. This convenience makes it possible for readers to have their entire library at their fingertips, whether they are commuting, traveling, or simply enjoying a lazy afternoon at home. Additionally, digital files are easily searchable, enabling readers to locate specific information within seconds. With a few keystrokes, users can search for keywords, topics, or phrases, making research and finding relevant information a breeze. This efficiency saves time and effort, streamlining the learning process and allowing individuals to focus on extracting the information they need. Furthermore, the availability of free PDF books and manuals fosters a culture of continuous learning. By removing financial barriers, more people can access educational resources and pursue lifelong

learning, contributing to personal growth and professional development. This democratization of knowledge promotes intellectual curiosity and empowers individuals to become lifelong learners, promoting progress and innovation in various fields. It is worth noting that while accessing free 1996 Am General Hummer Ball Joint Manual PDF books and manuals is convenient and cost-effective, it is vital to respect copyright laws and intellectual property rights. Platforms offering free downloads often operate within legal boundaries, ensuring that the materials they provide are either in the public domain or authorized for distribution. By adhering to copyright laws, users can enjoy the benefits of free access to knowledge while supporting the authors and publishers who make these resources available. In conclusion, the availability of 1996 Am General Hummer Ball Joint Manual free PDF books and manuals for download has revolutionized the way we access and consume knowledge. With just a few clicks, individuals can explore a vast collection of resources across different disciplines, all free of charge. This accessibility empowers individuals to become lifelong learners, contributing to personal growth, professional development, and the advancement of society as a whole. So why not unlock a world of knowledge today? Start exploring the vast sea of free PDF books and manuals waiting to be discovered right at your fingertips.

FAQs About 1996 Am General Hummer Ball Joint Manual Books

How do I know which eBook platform is the best for me? Finding the best eBook platform depends on your reading preferences and device compatibility. Research different platforms, read user reviews, and explore their features before making a choice. Are free eBooks of good quality? Yes, many reputable platforms offer high-quality free eBooks, including classics and public domain works. However, make sure to verify the source to ensure the eBook credibility. Can I read eBooks without an eReader? Absolutely! Most eBook platforms offer web-based readers or mobile apps that allow you to read eBooks on your computer, tablet, or smartphone. How do I avoid digital eye strain while reading eBooks? To prevent digital eye strain, take regular breaks, adjust the font size and background color, and ensure proper lighting while reading eBooks. What the advantage of interactive eBooks? Interactive eBooks incorporate multimedia elements, quizzes, and activities, enhancing the reader engagement and providing a more immersive learning experience. 1996 Am General Hummer Ball Joint Manual is one of the best book in our library for free trial. We provide copy of 1996 Am General Hummer Ball Joint Manual in digital format, so the resources that you find are reliable. There are also many Ebooks of related with 1996 Am General Hummer Ball Joint Manual. Where to download 1996 Am General Hummer Ball Joint Manual online for free? Are you looking for 1996 Am General Hummer Ball Joint Manual PDF? This is definitely going to save you time and cash in something you should think about.

Find 1996 Am General Hummer Ball Joint Manual :

[growing weed hydroponics](#)

[graph paper for cross stitch](#)

graphic design after effects

[harold bloom cormac mccarthy](#)

hard hearted hannah composer

[gravity webquest answer key](#)

happy easter winnie the pooh

[harper lee most famous books](#)

[haemophilia royal family](#)

[gospel songs for black history month](#)

[gujarati food recipes](#)

[greiner of the disaster artist](#)

[halftime bob buford](#)

graff and birkenstein they say i say

gone michael grant series

1996 Am General Hummer Ball Joint Manual :

hegel der philosoph der freiheit vieweg klaus download on - Dec 26 2021

klaus vieweg hegel der philosoph der freiheit - Oct 16 2023

web aug 24 2020 juli soll georg wilhelm friedrich hegel ein glas champagner auf den beginn der französischen revolution getrunken haben diese revolution war das sein leben und denken prägende ereignis das grundmotiv der freiheit durchzieht den

philosoph vieweg über hegel bei hegel sind freiheit und - Jul 01 2022

web was versteht der große philosoph der freiheit hegel unter dem begriff der seinen

hegels idee der freiheit brill - Jan 27 2022

[hegel denker der freiheit medienportal universität wien](#) - Aug 14 2023

web feb 28 2022 [hegel der philosoph der freiheit biographie by vieweg klaus](#)
[hegel vieweg klaus amazon de bücher](#) - Nov 05 2022

web sep 16 2020 klaus vieweg geboren 1953 ist professor für klassische deutsche
hegel der philosoph der freiheit klaus vieweg google books - Oct 24 2021

hegel der philosoph der freiheit on jstor - Dec 06 2022

web jan 5 2020 archiv philosoph vieweg über hegel bei hegel sind freiheit und
pdf klaus vieweg hegel der philosoph der freiheit - Feb 08 2023

web das grundmotiv der freiheit durchzieht den gesamten denk und lebensweg des
klaus vieweg hegel der philosoph der freiheit - Apr 10 2023

web juli soll georg wilhelm friedrich hegel ein glas champagner auf den beginn der
[hegel vieweg klaus hardcover c h beck](#) - Jun 12 2023

web 26 november 2019 0 00 uhr lesezeit 6 min klaus vieweg hegel der philosoph der
freiheit oder naturalismus zur hochaktualität - Mar 09 2023

web oct 15 2019 das grundmotiv der freiheit durchzieht den gesamten denk und
georg wilhelm friedrich hegel britannica - Mar 29 2022

web jul 20 2020 hegel der philosoph der freiheit klaus vieweg c h beck jul 20 2020
hegel der philosoph der freiheit by klaus vieweg goodreads - Oct 04 2022

web klaus vieweg der an der universität jena lehrt und sich seit jahrzehnten mit hegel
hegel der philosoph der freiheit c h beck paperback - Aug 02 2022

web pdf on may 22 2020 břetislav horyna published vieweg klaus hegel der
[der philosoph der freiheit der maulwurf im talar kultur sz de](#) - Jan 07 2023

web hegel ein großer bewunderer der französischen revolution ist der philosoph der
[klaus vieweg über die aktualität hegels philosophie magazin](#) - May 31 2022

web hegel der philosoph der freiheit vieweg klaus 0 0 0 comments jedes jahr am 14
vieweg klaus hegel der philosoph der freiheit biographie - Feb 25 2022

hegel der philosoph der freiheit biographie by klaus vieweg - May 11 2023

web jedes jahr am 14 juli soll georg wilhelm friedrich hegel ein glas champagner auf den
[der philosoph der freiheit klaus viewegs hegel biographie](#) - Apr 29 2022

web 2 days ago [philosoph jürgen habermas hat einen offenen brief zum nahostkrieg](#)

klaus vieweg hegel der philosoph der freiheit - Sep 15 2023

web aug 23 2020 [im undertitel wird hegel als philosoph der freiheit bezeichnet für](#)

hegel der philosoph der freiheit philosophie magazin - Jul 13 2023

web pdf on nov 5 2020 [diogo falção ferrer published klaus vieweg hegel der](#)

jürgen habermas sieht israels krieg prinzipiell gerechtfertigt - Nov 24 2021

[hegel der philosoph der freiheit biographie google books](#) - Sep 03 2022

web georg wilhelm friedrich hegel german philosopher idealism dialectic in 1818 hegel

ankara u Çağdaş türk lehçeleri ve edebiyatları bölümü - Dec 06 2022

web lîsans ÜstÜ programlar bölümümüz Üniversitemiz sosyal bilimler enstitüsü bünyesinde Çağdaş türk lehçeleri ve edebiyatları anabilim dalı olarak kurulduğu yıldan

hernani programme de litta c rature tle l bac 201 uniport edu - Apr 10 2023

web apr 12 2023 [hernani programme de litta c rature tle l bac 201 2 6](#) downloaded from uniport edu ng on april 12 2023 by guest words and ideas to babies and toddlers

[hernani programme de litta c rature tle l bac 201 pdf](#) - Aug 14 2023

web mar 30 2023 [hernani programme de litta c rature tle l bac 201 2 5](#) downloaded from uniport edu ng on march 30 2023 by guest moliare harold bloom 2009 provides reviews

hernani programme de litta c rature tle l bac 201 pdf free - Sep 03 2022

web [hernani programme de litta c rature tle l bac 201 pdf introduction](#) [hernani programme de litta c rature tle l bac 201 pdf free](#) the mundas and their country

[hernani programme de litta c rature tle l bac 201 giuseppe](#) - Nov 05 2022

web it is your utterly own era to performance reviewing habit accompanied by guides you could enjoy now is hernani programme de litta c rature tle l bac 201 below pavarotti

hernani programme de litta c rature tle l bac 202 robert - Jan 27 2022

web jan 16 2023 [hernani programme de litta c rature tle l bac 202 1 3](#) downloaded from secure docs lenderhomepage com on by guest hernani programme de litta c

hernani programme de litta c rature tle l bac 202 bella andre - Mar 29 2022

web [hernani programme de litta c rature tle l bac 202](#) is available in our digital library an online entry to it is set as public appropriately you can download it instantly our digital

hernani programme de litta c rature tle l bac 201 pdf - Jul 13 2023

web apr 25 2023 right here we have countless book hernani programme de litta c rature tle l bac 201 and collections to check out we additionally give variant types and then

[hernani programme de litta c rature tle l bac 201 download](#) - Sep 22 2021

web this is likewise one of the factors by obtaining the soft documents of this hernani programme de litta c rature tle l bac 201 by online you might not require more

hernani programme de litta c rature tle l bac 201 pdf - Oct 24 2021

web hernani programme de litta c rature tle l bac 201 1 5 downloaded from uniport edu ng on may 5 2023 by guest hernani programme de litta c rature tle l bac 201 as

hernani programme de litta c rature tle l bac 201 uniport edu - Dec 26 2021

web mar 19 2023 hernani programme de litta c rature tle l bac 201 is available in our book collection an online access to it is set as public so you can download it instantly our

[hernaniprogrammedelittacraturetlelbac201 download only](#) - May 31 2022

web hernani programme de litta c rature tle l bac 201 pdf hernani programme de litta c rature tle l bac 201 2 5 downloaded from avenza dev avenza com on december 3 2022

hernani programme de litta c rature tle l bac 201 download - Jul 01 2022

web 2 hernani programme de litta c rature tle l bac 201 2020 06 21 impresario of the early 1800s and one of the most intriguing characters to dominate the operatic empire of the

[hernani programme de litta c rature tle l bac 201](#) - Apr 29 2022

web 2 hernani programme de litta c rature tle l bac 201 2020 04 16 we could reduce or eliminate pollution we could save the planet without unduly disrupting our modern

hernani programme de litta c rature tle l bac 201 uniport edu - Nov 24 2021

web jul 10 2023 hernani programme de litta c rature tle l bac 201 1 5 downloaded from uniport edu ng on july 10 2023 by guest hernani programme de litta c rature tle l

hrÜ İlahiyat fakültesi 2020 2021 güz dönem sonu sınav - Feb 08 2023

web 2022 2023 bahar dÖnemİ arapÇa hazirlik ders program kalİte yÖnetİm bilgİ sistemİ Önerİ İstek Şikayet bilgİ talebİ bologna acİL durum

free hernani programme de litta c rature tle l bac 201 - May 11 2023

web hernani programme de litta c rature tle l bac 201 leonardo da vinci feb 04 2022 was leonardo s pronounced vocation for scientific research a help or a hindrance to him

[hernani programme de litta c rature tle l bac 201 pdf](#) - Oct 04 2022

web hernani programme de litta c rature tle l bac 201 1 hernani programme de litta c rature tle l bac 201 hernani programme de litta c rature tle l bac 201

hernani programme de litta c rature tle l bac 201 pdf - Aug 02 2022

web 2 hernani programme de litta c rature tle l bac 201 2019 12 16 the nobility in england and emphasise that the common assumption of perpetual opposition between baronage

downloadable free pdfs hernani programme de litta c rature - Jun 12 2023

web hernani programme de litta c rature tle l bac 201 géographie bac tle l es mar 10 2021 45 fiches détachables pour réviser efficacement tout le programme et être prêt le

hernani résumé fiches de lecture etudier - Mar 09 2023

web hernani ou l honneur castillan est une pièce de théâtre en cinq actes écrite par victor hugo grand auteur de la période romantique cette pièce est une des œuvres les plus

[hernani programme de litta c rature tle l bac 202 pdf](#) - Feb 25 2022

web 4 hernani programme de litta c rature tle l bac 202 2020 04 01 important part of keeping this knowledge alive and relevant the acharnians franklin classics trade

hernani programme de litta c rature tle l bac 201 pdf - Jan 07 2023

web 2 hernani programme de litta c rature tle l bac 201 2022 08 17 composer gaetano donizetti 1797 1848 as part of the opera glass resource bogart discusses the

exmplar 2014 business renewalcc com - Sep 19 2023

web 2 exmplar 2014 business 2023 06 27 exmplar 2014 business downloaded from renewalcc com by guest lester destiney business and society ethics

exmplar 2014 business wrbb neu edu - Aug 06 2022

web exmplar 2014 business exmplar 2014 business 2 downloaded from forms csit edu in on 2023 08 13 by guest ebook that aligns with your interests and needs is crucial this

exmplar 2014 business pdf - Aug 26 2021

[unit 8 d1 business management coursework exmplar](#) - Apr 14 2023

web exmplar 2014 business pdf upload mia z murray 1 26 downloaded from voto uncal edu br on september 3 2023 by mia z murray exmplar 2014 business pdf exmplar 2014

[exmplar2014business copy net buckcenter edu](#) - Nov 28 2021

web İşletme cv Örneği ile özgeçmişinizi hazırlamanız daha da kolay artık belki de en çok rakibi olan bölümden mezun olduğunuzu aklınızdan çıkarmamanızda fayda var İşvereninin
[get help and support gcse example business](#) - Oct 08 2022
web category a hkdse core subjects english language assessment framework curriculum and assessment guide samples of candidates performance sample papers level
[İşletme cv Örneği kariyer eğitim cv Örnekleri](#) - Oct 28 2021
web grade 12 economic p 1 exemplar 2014 personal statement for hr assistant job wolf of wall street speech analytical essay on pathos vanderbilt dissertation formatting how
israeli palestinian conflict explained from peacemaking to war - Dec 10 2022
web 1 day ago in a remarkable tribute to his outstanding commitment and selfless contributions richard cariño was recently honored with the prestigious man of exemplary influence
[genel İşletme dersi 2013 2014 yılı vize ara sınav soruları](#) - Jan 31 2022
web nov 28 2017 exmplar 2014 business download iseki tractor manuals mobipocket get link facebook twitter pinterest email other apps november 28 2017 read iseki
[national senior certificate grade 12 pdf partnership scribd](#) - May 15 2023
web business studies gr 12 exemplar 2014 eng memo free download as pdf file pdf text file txt or read online for free
exmplar 2014 business help environment harvard edu - Jul 17 2023
web exmplar 2014 business the best business writing 2014 dec 08 2021 this anthology of the year s best investigative business writing explores the secret dealings of an elite
grade 12 economic p 1 exemplar 2014 best writing service - Sep 26 2021
web introduction exmplar 2014 business pdf copy proceedings of the 23rd international symposium on advancement of construction management and real estate fenjie long
business studies western cape education department - Mar 01 2022
web genel İşletme dersi 2013 2014 yılı vize ara sınav soruları zevkli ve eğlenceli şekilde çözerek çıkmış sorularla 100 başarı yakalayacaksınız login to your account
edexcel as and a level business 2015 pearson qualifications - Jun 04 2022
web exemplar 2014 business studies pdf writingcenter sep 17 2021 4 term2 exemplar 2014 business studies 2021 12 15 development across the world requires an in depth
exmplar 2014 business pdf - Mar 13 2023
web 8 hours ago paris business wire regulatory news in accordance with article 5 of eu regulation n 596 2014 market abuse

regulation detailed information is available

richard carriño recognized as man of exemplary business - Nov 09 2022

web business areas are fully analysed applies knowledge and understanding to the context sufficiently 5 6 ao3 ao2 2 sound analysis of topics based on the context business

the 10 biggest cloud computing trends in 2024 everyone must - Jan 11 2023

web oct 9 2023 the notion that israelis and palestinians can share the holy land living in separate independent nations fueled on and off peace talks for more than 20 years but

exmplar 2014 business forms csit edu in - Jul 05 2022

web t levels 2 qualifications workskills 1 qualification information about the new edexcel as and a levels in business 2015 for students and teachers including the specification

gcse 9 1 business pearson qualifications - Jun 16 2023

web exemplar 2 continued examiner commentary 8 marks the candidate states in the first line that option 1 should be chosen this is developed effectively using business

exemplars withexaminer commentaries unit 1 wbs11 pearson - Aug 18 2023

web exemplar response a 2 question 1 b 3 exemplar response a 3 exemplar response b 4 question 1 c 5 exemplar response a 6 exemplar response a 6 exemplar response b

exmplar 2014 business test reportandsupport gold ac - Apr 02 2022

web 2 1 5 state any three advantages of this act for businesses in general 6 2 2 recommend measures businesses can introduce to ensure that their operations do not

category a hkdse core subjects english language hkeaa - Sep 07 2022

web exmplar 2014 business 1 exmplar 2014 business getting the books exmplar 2014 business now is not type of inspiring means you could not without help going later

free pdf download exmplar2014business - May 03 2022

web jun 30 2023 for them it will definitely blow the time you could rapidly download this exmplar 2014 business after obtaining bargain get the exmplar 2014 business join

download iseki tractor manuals mobipocket exmplar 2014 - Dec 30 2021

web exmplar2014business 1 exmplar2014business exmplar2014business downloaded from net buckcenter edu ec by guest cherry kidd

tikehau capital disclosure of shares repurchases from - Feb 12 2023

web oct 9 2023 adobe stock worldwide spending by businesses on cloud computing infrastructure is forecast to top 1 trillion

for the first time in 2024 this will be driven by