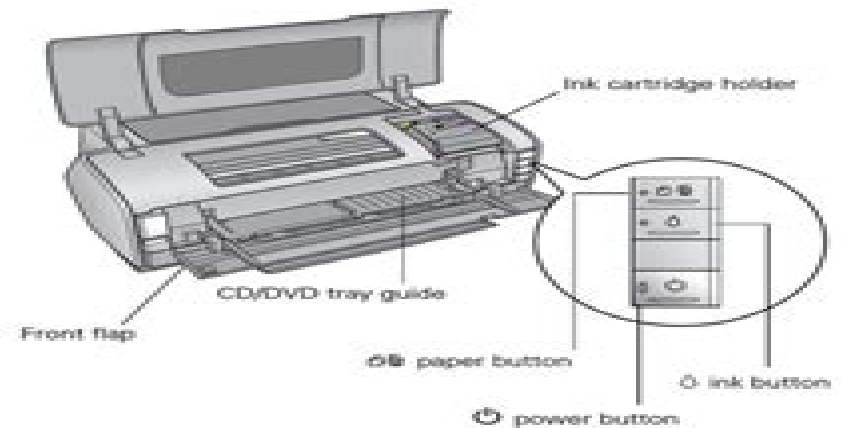
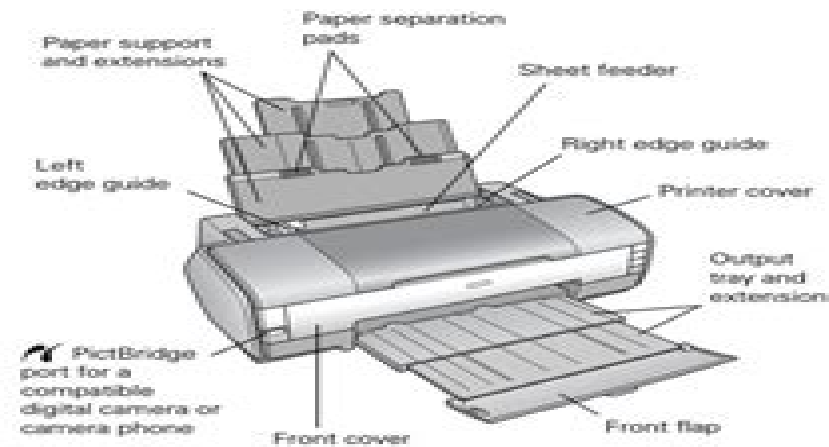


Printer Parts



Accessories

You can purchase genuine Epson ink and paper from an Epson authorized reseller. To find the nearest reseller, call 800-GO-EPSON (800-463-7766). Or you can purchase online at www.epsonstore.com (U.S. sales) or www.epson.ca (Canadian sales).

Ink Cartridges

Use these Epson ink cartridges within six months of installing them and before the expiration date on the package.

Ink cartridge	Part number
Black	79 (T079120)
Cyan	79 (T079220)
Magenta	79 (T079320)
Yellow	79 (T079420)
Light Cyan	79 (T079520)
Light Magenta	79 (T079620)

Caution: To ensure the best results, use genuine Epson ink cartridges and do not refill them. Other products may cause damage to your printer not covered by Epson's warranty.

Epson Stylus Photo 1400 Inkjet Printer Manual

Laura Blacklow



Epson Stylus Photo 1400 Inkjet Printer Manual

British Journal of Photography ,2009

Travel & Leisure ,2007-05

STRUCTURED COMPUTER ORGANIZATION ,1996

PC Magazine ,2001

New Dimensions in Photo Processes Laura Blacklow,2018-05-04 New Dimensions in Photo Processes invites artists in all visual media to discover contemporary approaches to historical techniques Painters printmakers and photographers alike will find value in this practical book as these processes require little to no knowledge of photography digital means or chemistry Easy to use in a studio or lab this edition highlights innovative work by internationally respected artists such as Robert Rauschenberg Chuck Close Mike and Doug Starn and Emmet Gowin In addition to including new sun printing techniques such as salted paper and lumen printing this book has been updated throughout from pinhole camera and digital methods of making color separations and contact negatives to making water color pigments photo sensitive and more With step by step instructions and clear safety precautions New Dimensions in Photo Processes will teach you how to Reproduce original photographic art collages and drawings on paper fabric metal and other unusual surfaces Safely mix chemicals and apply antique light sensitive emulsions by hand Create imagery in and out of the traditional darkroom and digital studio Relocate photo imagery and make prints from real objects photocopies and pictures from magazines and newspapers as well as from your digital files and black and white negatives Alter black and white photographs smart phone images and digital prints

GIMP Karin Kylander,Olof S. Kylander,1999 The authors comprehensively cover GIMP by teaching readers all aspects ranging from installing to scripting to working faster and more efficiently through shortcuts Features a 32 page Color Studio with inspiring images readers can create by learning all of the program s techniques in the book The CD ROM contains core GIMP software plug ins and libraries that add file formats and effects to harness the power of this expandable and extensible program

Macworld ,1999

Troubleshooting Injection Moulding Vannessa Goodsgip,2004 Annotation Injection moulding is one of the most commonly used processing technologies for plastics materials Proper machine set up part and mould design and material selection can lead to high quality production This review outlines common factors to check when preparing to injection mould components so that costly mistakes can be avoided This review examines the different types of surface defects that can be identified in plastics parts and looks at ways of solving these problems Useful flow charts to illustrate possible ways forward are included Case studies and a large b257 of figures make this a very useful report

301 Inkjet Tips and Techniques Andrew Darlow,2007 Typography

The Art Direction Handbook for Film Michael Rizzo, 2013-07-18 Whether you'd like to be an art director or already are one, this book contains valuable solutions that will help you get ahead. This comprehensive, thorough professional manual details the set up of the art department and the day-to-day job duties: scouting for locations, research, executing the design concept, constructing scenery, and surviving production. You will not only learn how to do the job but how to succeed and secure future jobs. Rounding out the text is an extensive collection of useful forms and checklists, along with interviews with prominent art directors, relevant real-life anecdotes, and blueprints, sketches, photographs, and stills from Hollywood sets.

The Complete Idiot's Guide to Computer Basics, 5th Edition Joe Kraynak, 2009-02-03 Time for an upgrade! The fifth edition of *The Complete Idiot's Guide to Computer Basics* places the reader in charge of the computer rather than the other way around and places the focus on software troubleshooting rather than hardware techno babble. The reader wants to do something practical with his or her computer; this book shows them how. Covers basic office programs and how to manage photo, video, and music files. Advice on safe web surfing, including coverage of newsgroups, message boards, and mailing lists. New green computing initiatives that help protect the environment. Maintenance and upgrading information.

Computers in Africa, 1999

Digital Alchemy Bonny Pierce Lhotka, 2010-12-20 In *Digital Alchemy*, acclaimed printmaker Bonny Pierce Lhotka shows how to turn your standard inkjet printer into a seemingly magical instrument capable of transforming your printed images into true works of art. Using plenty of visuals and straightforward terms, Lhotka walks you step-by-step through over a dozen projects. Forget printing on boring old paper: in *Digital Alchemy*, you'll learn how to transfer and print images to a variety of surfaces, including metal, wood, fabric, stone, and plastic, using the techniques Lhotka spent years developing. If you're a photographer looking for new ways to personalize your work or a digital artist who's ready to take your work to the next level, you'll find all of the tools, techniques, and inspiration you need in this book. Lhotka's enthusiasm for experimenting with unusual printing materials and processes has led her to create new and amazing transfer techniques, including one that resembles a Polaroid™ transfer on steroids. She also shows you how to make prints using unexpected everyday materials, such as hand sanitizer and gelatin. You'll even learn direct printing, the technique for sending your custom substrate through your printer almost as if it were paper. In *Digital Alchemy*, you'll learn how to transfer images to metal, wood, plastic, and other materials that will not feed through an inkjet printer. Print directly on metal for a fraction of the cost of using a print service. Simulate a print from an expensive UV flatbed printer using an inexpensive desktop printer. Use carrier sheets and paintable pre-coats to print on almost any surface. Achieve near-lithographic quality digital prints with transfer processes to uncoated fine art paper. In addition to the tutorials in the book, you can watch Lhotka in action on the included DVD-ROM, which has over 60 minutes of video footage where you'll learn how to perform an alcohol gel transfer, transfer an image to a wooden surface, use your inkjet printer to achieve remarkable prints, and more. Simply insert the DVD-ROM into your computer's DVD drive. Note: this DVD-ROM will not work in TV DVD players.

The HDRI Handbook 2.0 Christian Bloch, 2013-01-01 BONUS DVD ONLY WITH THE PRINT EDITION NOT AVAILABLE WITH eBooks In 2007 The HDRI Handbook was the first book to present this revolutionary new field to a larger audience These days HDRI is a fully mature technology available to everyone Real estate and landscape photographers have adopted it as part of their regular workflow it has become one of the hottest trends for ambitious amateurs and creative professionals alike and the modern movie industry would be completely dysfunctional without it Now The HDRI Handbook 2 0 redefines its own gold standard It has been completely rewritten and is packed with practical hints and tips background knowledge reference tools breathtaking artist portfolios and inspiring interviews The book includes dozens of new step by step tutorials Beginners will get a methodically solid introduction and advanced readers will be able to refine their technique to perfection Topics include Understanding the foundation of HDRI HDR software comparisons and evaluations Capturing HDR images today and tomorrow Tonemapping for creating superior prints HDR image processing and compositing Shooting and stitching HDR panoramas Image based lighting and CG rendering 2 0 updates include New cameras sensors and HDR beamsplitter rigs Open Camera Controller for endless auto bracketing Correct RAW pre processing and ghost removal Dozens of practical easy to follow tutorials A structured approach to tonemapping inspired by Ansel Adams Set etiquette and tips for capturing HDR panos for visual effects Seven artist spotlights showing unique perspectives on HDRI Seven crossword puzzles a fun way to test yourself BONUS DVD ONLY WITH THE PRINT EDITION NOT AVAILABLE WITH eBooks

The Apple Macintosh Book Cary Lu, Ellen W. Chu, 1988 Lu again provides an authoritative and comprehensive look at the entire Mac family including its design philosophy architecture hardware and software options and significant user issues

New Dimensions in Photo Processes Laura Blacklow, 2012-09-10 Clear instructions and step by step photographs teach you how to mix chemicals and apply light sensitive emulsions by hand how to create imagery in and out of the darkroom how to translocate Polaroid photos and magazine and newspaper pictures and how to alter black and white photographs A color portfolio highlights the work of internationally known artists such as Robert Rauschenberg Todd Walker and most recently Doug and Mike Starn and an invaluable list of supply sources including e mail addresses from throughout North America and Europe is included at the end of the book Setting aside old distinctions between photographer and nonphotographer *New Dimensions in Photo Processes* invites artists in all media to discover nonsilver imaging techniques Painters printmakers fiber artists sculptors illustrators and photographers alike will find this a valuable practical text outlining creative processes that require little or no knowledge of photography and chemistry

Real World Print Production with Adobe Creative Cloud Claudia McCue, 2014 Sharpen your print production skills with this definitive resource created specifically for design professionals who need to create files using the Adobe Creative Cloud including InDesign Photoshop Illustrator and Acrobat and output for printing The previous edition was steady seller helping designers who have no training in print get up and running quickly and not make expensive mistakes on their projects Completely updated for CS6 and the CC this book also helps designers with some print experience tackle more complex projects The book covers all the Adobe Suite programs they need to know to produce successful projects rather than buying 4 or 5 different books This book is considered the complete resource for understanding the print cycle how ink works on paper managing fonts using color spaces handling images and preparing files for print or electronic output Print expert Claudia McCue shares her hands on techniques to prepare files edit photos and graphics and prevent common problems without missing a deadline This book is brimming with insightful advice illustrations and shortcuts that will have you quickly and professionally producing your work in no time Covers Acrobat XI InDesign CC Photoshop CC and Illustrator CC for Macintosh and Windows

Communication, Control, and Computer Access for Disabled and Elderly Individuals Dale Bengston,1987 Grant G008300045
Resourcebook 3 doc resume

Black and White Printing George Schaub,1991

MacUser ,1997-06

Unveiling the Magic of Words: A Review of "**Epson Stylus Photo 1400 Inkjet Printer Manual**"

In a world defined by information and interconnectivity, the enchanting power of words has acquired unparalleled significance. Their ability to kindle emotions, provoke contemplation, and ignite transformative change is actually awe-inspiring. Enter the realm of "**Epson Stylus Photo 1400 Inkjet Printer Manual**," a mesmerizing literary masterpiece penned by way of a distinguished author, guiding readers on a profound journey to unravel the secrets and potential hidden within every word. In this critique, we shall delve to the book is central themes, examine its distinctive writing style, and assess its profound impact on the souls of its readers.

https://offsite.creighton.edu/files/Resources/fetch.php/Galileo_System_Ticketing.pdf

https://offsite.creighton.edu/files/Resources/fetch.php/geometry_chapter_6_review_answer_key.pdf

https://offsite.creighton.edu/files/Resources/fetch.php/God_Is_Great_In_Arab.pdf

Table of Contents Epson Stylus Photo 1400 Inkjet Printer Manual

1. Understanding the eBook Epson Stylus Photo 1400 Inkjet Printer Manual
 - The Rise of Digital Reading Epson Stylus Photo 1400 Inkjet Printer Manual
 - Advantages of eBooks Over Traditional Books
2. Identifying Epson Stylus Photo 1400 Inkjet Printer Manual
 - Exploring Different Genres
 - Considering Fiction vs. Non-Fiction
 - Determining Your Reading Goals
3. Choosing the Right eBook Platform
 - Popular eBook Platforms
 - Features to Look for in an Epson Stylus Photo 1400 Inkjet Printer Manual
 - User-Friendly Interface
4. Exploring eBook Recommendations from Epson Stylus Photo 1400 Inkjet Printer Manual
 - Personalized Recommendations
 - Epson Stylus Photo 1400 Inkjet Printer Manual User Reviews and Ratings
 - Epson Stylus Photo 1400 Inkjet Printer Manual and Bestseller Lists

5. Accessing Epson Stylus Photo 1400 Inkjet Printer Manual Free and Paid eBooks
 - Epson Stylus Photo 1400 Inkjet Printer Manual Public Domain eBooks
 - Epson Stylus Photo 1400 Inkjet Printer Manual eBook Subscription Services
 - Epson Stylus Photo 1400 Inkjet Printer Manual Budget-Friendly Options
6. Navigating Epson Stylus Photo 1400 Inkjet Printer Manual eBook Formats
 - ePub, PDF, MOBI, and More
 - Epson Stylus Photo 1400 Inkjet Printer Manual Compatibility with Devices
 - Epson Stylus Photo 1400 Inkjet Printer Manual Enhanced eBook Features
7. Enhancing Your Reading Experience
 - Adjustable Fonts and Text Sizes of Epson Stylus Photo 1400 Inkjet Printer Manual
 - Highlighting and Note-Taking Epson Stylus Photo 1400 Inkjet Printer Manual
 - Interactive Elements Epson Stylus Photo 1400 Inkjet Printer Manual
8. Staying Engaged with Epson Stylus Photo 1400 Inkjet Printer Manual
 - Joining Online Reading Communities
 - Participating in Virtual Book Clubs
 - Following Authors and Publishers Epson Stylus Photo 1400 Inkjet Printer Manual
9. Balancing eBooks and Physical Books Epson Stylus Photo 1400 Inkjet Printer Manual
 - Benefits of a Digital Library
 - Creating a Diverse Reading Collection Epson Stylus Photo 1400 Inkjet Printer Manual
10. Overcoming Reading Challenges
 - Dealing with Digital Eye Strain
 - Minimizing Distractions
 - Managing Screen Time
11. Cultivating a Reading Routine Epson Stylus Photo 1400 Inkjet Printer Manual
 - Setting Reading Goals Epson Stylus Photo 1400 Inkjet Printer Manual
 - Carving Out Dedicated Reading Time
12. Sourcing Reliable Information of Epson Stylus Photo 1400 Inkjet Printer Manual
 - Fact-Checking eBook Content of Epson Stylus Photo 1400 Inkjet Printer Manual
 - Distinguishing Credible Sources
13. Promoting Lifelong Learning

- Utilizing eBooks for Skill Development
 - Exploring Educational eBooks
14. Embracing eBook Trends
- Integration of Multimedia Elements
 - Interactive and Gamified eBooks

Epson Stylus Photo 1400 Inkjet Printer Manual Introduction

In this digital age, the convenience of accessing information at our fingertips has become a necessity. Whether its research papers, eBooks, or user manuals, PDF files have become the preferred format for sharing and reading documents. However, the cost associated with purchasing PDF files can sometimes be a barrier for many individuals and organizations. Thankfully, there are numerous websites and platforms that allow users to download free PDF files legally. In this article, we will explore some of the best platforms to download free PDFs. One of the most popular platforms to download free PDF files is Project Gutenberg. This online library offers over 60,000 free eBooks that are in the public domain. From classic literature to historical documents, Project Gutenberg provides a wide range of PDF files that can be downloaded and enjoyed on various devices. The website is user-friendly and allows users to search for specific titles or browse through different categories. Another reliable platform for downloading Epson Stylus Photo 1400 Inkjet Printer Manual free PDF files is Open Library. With its vast collection of over 1 million eBooks, Open Library has something for every reader. The website offers a seamless experience by providing options to borrow or download PDF files. Users simply need to create a free account to access this treasure trove of knowledge. Open Library also allows users to contribute by uploading and sharing their own PDF files, making it a collaborative platform for book enthusiasts. For those interested in academic resources, there are websites dedicated to providing free PDFs of research papers and scientific articles. One such website is Academia.edu, which allows researchers and scholars to share their work with a global audience. Users can download PDF files of research papers, theses, and dissertations covering a wide range of subjects. Academia.edu also provides a platform for discussions and networking within the academic community. When it comes to downloading Epson Stylus Photo 1400 Inkjet Printer Manual free PDF files of magazines, brochures, and catalogs, Issuu is a popular choice. This digital publishing platform hosts a vast collection of publications from around the world. Users can search for specific titles or explore various categories and genres. Issuu offers a seamless reading experience with its user-friendly interface and allows users to download PDF files for offline reading. Apart from dedicated platforms, search engines also play a crucial role in finding free PDF files. Google, for instance, has an advanced search feature that allows users to filter results by file type. By specifying the file type as "PDF," users can find websites that offer free PDF downloads on a specific topic. While downloading Epson Stylus Photo 1400 Inkjet

Printer Manual free PDF files is convenient, its important to note that copyright laws must be respected. Always ensure that the PDF files you download are legally available for free. Many authors and publishers voluntarily provide free PDF versions of their work, but its essential to be cautious and verify the authenticity of the source before downloading Epson Stylus Photo 1400 Inkjet Printer Manual. In conclusion, the internet offers numerous platforms and websites that allow users to download free PDF files legally. Whether its classic literature, research papers, or magazines, there is something for everyone. The platforms mentioned in this article, such as Project Gutenberg, Open Library, Academia.edu, and Issuu, provide access to a vast collection of PDF files. However, users should always be cautious and verify the legality of the source before downloading Epson Stylus Photo 1400 Inkjet Printer Manual any PDF files. With these platforms, the world of PDF downloads is just a click away.

FAQs About Epson Stylus Photo 1400 Inkjet Printer Manual Books

What is a Epson Stylus Photo 1400 Inkjet Printer Manual PDF? A PDF (Portable Document Format) is a file format developed by Adobe that preserves the layout and formatting of a document, regardless of the software, hardware, or operating system used to view or print it. **How do I create a Epson Stylus Photo 1400 Inkjet Printer Manual PDF?** There are several ways to create a PDF: Use software like Adobe Acrobat, Microsoft Word, or Google Docs, which often have built-in PDF creation tools. Print to PDF: Many applications and operating systems have a "Print to PDF" option that allows you to save a document as a PDF file instead of printing it on paper. Online converters: There are various online tools that can convert different file types to PDF. **How do I edit a Epson Stylus Photo 1400 Inkjet Printer Manual PDF?** Editing a PDF can be done with software like Adobe Acrobat, which allows direct editing of text, images, and other elements within the PDF. Some free tools, like PDFescape or Smallpdf, also offer basic editing capabilities. **How do I convert a Epson Stylus Photo 1400 Inkjet Printer Manual PDF to another file format?** There are multiple ways to convert a PDF to another format: Use online converters like Smallpdf, Zamzar, or Adobe Acrobats export feature to convert PDFs to formats like Word, Excel, JPEG, etc. Software like Adobe Acrobat, Microsoft Word, or other PDF editors may have options to export or save PDFs in different formats. **How do I password-protect a Epson Stylus Photo 1400 Inkjet Printer Manual PDF?** Most PDF editing software allows you to add password protection. In Adobe Acrobat, for instance, you can go to "File" -> "Properties" -> "Security" to set a password to restrict access or editing capabilities. Are there any free alternatives to Adobe Acrobat for working with PDFs? Yes, there are many free alternatives for working with PDFs, such as: LibreOffice: Offers PDF editing features. PDFsam: Allows splitting, merging, and editing PDFs. Foxit Reader: Provides basic PDF viewing and editing capabilities. How do I compress a PDF file? You can use online tools like Smallpdf, ILovePDF, or desktop software like Adobe

Acrobat to compress PDF files without significant quality loss. Compression reduces the file size, making it easier to share and download. Can I fill out forms in a PDF file? Yes, most PDF viewers/editors like Adobe Acrobat, Preview (on Mac), or various online tools allow you to fill out forms in PDF files by selecting text fields and entering information. Are there any restrictions when working with PDFs? Some PDFs might have restrictions set by their creator, such as password protection, editing restrictions, or print restrictions. Breaking these restrictions might require specific software or tools, which may or may not be legal depending on the circumstances and local laws.

Find Epson Stylus Photo 1400 Inkjet Printer Manual :

[galileo system ticketing](#)

geometry chapter 6 review answer key

[god is great in arab](#)

[general science praxis practice test pdf](#)

gifts of imperfection summary

[geologic time scale activity pdf](#)

[glencoe/mcgraw hill biology answer key](#)

[garrincha goal vs fiorentina 1958](#)

[galería de lengua y cultura 1 pdf](#)

[gluten free cookbook](#)

[gary thomas sacred marriage](#)

god rest ye merry gentlemen ukulele

[give an example of balanced forces](#)

gastric sleeve meal prep

[gmc acronym funny](#)

Epson Stylus Photo 1400 Inkjet Printer Manual :

mukabele diyamet tv - Feb 25 2022

web Üniversiteler mahallesi dumlupınar bulvarı no 153 a Çankaya ankara 0 312 295 70 00 e posta bilgi diyamet tv

la douzia me propha c tie l heure da c cisive uniport edu - Jan 07 2023

web mar 29 2023 la douzia me propha c tie l heure da c cisive 1 9 downloaded from uniport edu ng on march 29 2023 by

quest la douzia me propha c tie l heure da c

[l mebiia paroles hamid douzi greatsong](#) - Dec 26 2021

web hamid douzi label wmo paroles ajoutées par nos membres paroles de chansons les plus consultées 1 petit génie jungeli 2 casanova soolking 3 saiyon heuss

[la douzia me propha c tie l heure da c cisive copy](#) - Feb 08 2023

web la douzia me propha c tie l heure da c cisive le mot et l idée mar 31 2021 af press clips jun 21 2020 paris match apr 19 2020 le sénégal à l heure de l information

la douzia me propha c tie l heure da c cisive uniport edu - Apr 29 2022

web apr 26 2023 la douzia me propha c tie l heure da c cisive 2 12 downloaded from uniport edu ng on april 26 2023 by guest this text are 18 laboratory projects that explore

la douzia me propha c tie l heure da c cisive pdf download - Sep 03 2022

web books la douzia me propha c tie l heure da c cisive pdf book is the book you are looking for by download pdf la douzia me propha c tie l heure da c cisive book

la douzia me propha c tie l heure da c cisive copy - May 11 2023

web la douzia me propha c tie l heure da c cisive this is likewise one of the factors by obtaining the soft documents of this la douzia me propha c tie l heure da c cisive

[la douzia me propha c tie l heure da c cisive pdf](#) - Oct 24 2021

web la douzia me propha c tie l heure da c cisive pdf as recognized adventure as well as experience just about lesson amusement as capably as deal can be gotten by just

[la douzia me propha c tie l heure da c cisive pdf pdf](#) - Oct 04 2022

web for la douzia me propha c tie l heure da c cisive pdf and numerous books collections from fictions to scientific research in any way in the middle of them is this la douzia me

[hz hamza nın duası etkili dualar dua sitesi](#) - Mar 29 2022

web açıklama bu dua korunmaya aittir hz hamza yüce allah ın korunma ve kudret ipine sığınmış ve bizim de sığınmamız için bir örnek olmuştur hz hamza r a ın allah ı ne

[la douzia me propha c tie l heure da c cisive pdf pdf](#) - Apr 10 2023

web among guides you could enjoy now is la douzia me propha c tie l heure da c cisive pdf below la douzia me propha c tie l heure da c cisive full pdf web 4730486 la

la douzia me propha c tie l heure da c cisive pdf ftp bonide - Dec 06 2022

web 4 la douzia me propha c tie l heure da c cisive 2023 02 26 the book written from the perspective of pedologists and

agronomists is a study of the earth s crust which is

la douzia me propha c tie l heure da c cisive pdf pdf - Jun 12 2023

web title la douzia me propha c tie l heure da c cisive pdf pdf support ortax org created date 9 7 2023 4 57 24 am

duminica a 3 a după rusalii despre pronia lui Dumnezeu - Nov 24 2021

web duminica a 3 a după rusalii despre pronia lui Dumnezeu distribuie predica părintelui ilie cleopa despre paza minții și despre purtarea de grijă a lui Dumnezeu în duminica a 3 a

la douzia me propha c tie l heure da c cisive pdf joseph - Aug 02 2022

web may 18 2023 la douzia me propha c tie l heure da c cisive pdf yeah reviewing a ebook la douzia me propha c tie l heure da c cisive pdf could go to your near

la douzia me propha c tie l heure da c cisive pdf 2023 - Mar 09 2023

web la douzia me propha c tie l heure da c cisive pdf unveiling the power of verbal beauty an psychological sojourn through la douzia me propha c tie l heure da c

la douzia me propha c tie l heure da c cisive download - Nov 05 2022

web la douzia me propha c tie l heure da c cisive is friendly in our digital library an online access to it is set as public so you can download it instantly our digital library saves in

proza mircea eliade noaptea de sânzienne poetii nostri - Jan 27 2022

web noaptea de sânzienne mircea eliade adăugat de ali unii spun că în noaptea aceasta exact la miezul nopții se deschid cerurile nu prea înțeleg cum s ar putea deschide dar

la douzia me propha c tie l heure da c cisive joseph - Jul 13 2023

web la douzia me propha c tie l heure da c cisive recognizing the mannerism ways to get this ebook la douzia me propha c tie l heure da c cisive is additionally useful you

la douzia me propha c tie l heure da c cisive - Aug 14 2023

web la douzia me propha c tie l heure da c cisive recognizing the mannerism ways to acquire this books la douzia me propha c tie l heure da c cisive is additionally

la douzia me propha c tie l heure da c cisive uniport edu - May 31 2022

web feb 24 2023 la douzia me propha c tie l heure da c cisive 2 10 downloaded from uniport edu ng on february 24 2023 by guest mathematically inclined reader can omit

la douzia me propha c tie l heure da c cisive pdf 2023 - Jul 01 2022

web la douzia me propha c tie l heure da c cisive pdf 2 2 downloaded from fastdata gluonhq com on january 23 2023 by guest los angeles ap jae c hong the

la douzia me propha c tie l heure da c cisive 198 58 106 - Sep 22 2021

web merely said the la douzia me propha c tie l heure da c cisive is universally compatible as soon as any devices to read hormones etienne emile baulieu ed 1990 11 30

ukulele songbook 50 all time classics kağıt kapak - Jun 20 2023

web ukulele songbook 50 all time classics balinger thomas amazon com tr kitap Çerez tercihlerinizi seçin Çerez bildirimimizde ayrıntılı şekilde açıklandığı üzere alışveriş yapmanızı sağlamak alışveriş deneyiminizi iyileştirmek ve hizmetlerimizi sunmak için gerekli olan çerezleri ve benzer araçları kullanırız

the ukulele songbook d tuning 50 all time classics for easy ukulele - Jul 21 2023

web the ukulele songbook d tuning 50 all time classics for easy ukulele balinger thomas amazon com tr kitap

ukulele songbook 50 all time classics amazon de - Sep 11 2022

web thomas balinger ukulele songbook 50 all time classics Überarbeitete neuauflage 2019 50 all time classics das sind weltbekannte und beliebte songs die einfach jeder kennen muss angefangen bei jingle bells und camptown races über banks of the ohio bis zu scarborough fair alle songs sind speziell für

the ukulele songbook 50 all time classics volume ii - Nov 13 2022

web the follow up to the successful ukulele classics songbook this handy collection contains another 50 great songs arranged for easy ukulele in c g c e a from shenandoah waltzing matilda and whiskey in the jar to aloa oe and banks of sacramento there s something for every musical taste on these

50s ukulele songs with chords and tabs ukutabs - Feb 04 2022

web chr the five satins in the still of the night chr danny and the juniors at the hop chr neil sedaka breaking up is hard to do chr phil phillips sea of love chr doris day que sera sera chr neil sedaka oh carol chr the chordettes lollipop chr ritchie valens la bamba

amazon co uk ukulele songbook - Apr 06 2022

web feb 22 2014 ukulele song book 1 2 50 folk songs with lyrics and ukulele chord tabs bundle of 2 ukulele books folk songs ukulele songs by rosa suen 26 dec 2013 4 1 out of 5 stars 491

the ukulele songbook 50 all time classics amazon com tr - Apr 18 2023

web the ukulele songbook 50 all time classics volume ii balinger thomas amazon com tr kitap

ukulele songbook 50 all time classics volume ii - Jul 09 2022

web ukulele songbook 50 all time classics volume ii Überarbeitete neuauflage 2019 teil 2 des beliebten ukulele classics songbuchs wieder mit 50 bekannten songs für ukulele in c stimmung g c e a hier findet sich für jeden geschmack etwas

the ukulele songbook 50 all time classics itcher com - Mar 05 2022

web books like the ukulele songbook 50 all time classics find out more recommended books with our spot on books app the ukulele songbook 50 all time classics synopsis ratings video reviews similar books more

amazon the ukulele songbook 50 all time classics [] - May 07 2022

web feb 22 2014 thomas balinger the ukulele songbook 50 all time classics new edition 2020 this book features 50 songs known and loved the world over arranged for ukulele from amazing grace and camptown races to banks of the ohio or scarborough fair songs every ukulele player simply has to know

the ukulele songbook 50 all time classics kağıt kapak - Aug 22 2023

web the ukulele songbook 50 all time classics balinger thomas amazon com tr kitap

the ukulele songbook 50 all time classics amazon com - Sep 23 2023

web feb 22 2014 thomas balinger the ukulele songbook 50 all time classics new edition 2020 this book features 50 songs known and loved the world over arranged for ukulele from amazing grace and camptown races to banks of the ohio or scarborough fair songs every ukulele player simply has to know

the ukulele songbook 50 all time classics paperback - Aug 10 2022

web this book features 50 songs known and loved the world over arranged for ukulele from amazing grace and camptown races to banks of the ohio or scarborough fair songs every ukulele player simply has to know

amazon com customer reviews the ukulele songbook 50 all time classics - Jun 08 2022

web find helpful customer reviews and review ratings for the ukulele songbook 50 all time classics at amazon com read honest and unbiased product reviews from our users

the ukulele songbook 50 all time classics volume ii - Dec 14 2022

web each song with melody in standard notation and tablature chord symbols for all instruments complete lyrics and chord diagrams for ukulele special sections on tuning the basic chords and easy strumming and picking patterns make this book the ideal companion for all ukulele players

the ukulele songbook 50 all time classics volume ii goodreads - Oct 12 2022

web the ukulele songbook 50 all time classics volume ii new edition 2019 the follow up to the successful ukulele classics songbook this handy collection contains another 50 great songs arranged for

ukulele songbook 50 all time classics amazon com tr - Mar 17 2023

web ukulele songbook 50 all time classics volume ii balinger thomas amazon com tr kitap

the ukulele songbook 50 all time classics paperback - Jan 15 2023

web thomas balinger the ukulele songbook 50 all time classics new edition 2020 this book features 50 songs known and loved the world over arranged for ukulele from amazing grace and camptown races to banks of the ohio or scarborough fair songs

every ukulele player simply has to know

the ukulele songbook 50 all time classics paperback - May 19 2023

web this book features 50 songs known and loved the world over arranged for ukulele from amazing grace and camptown races to banks of the ohio or scarborough fair songs every ukulele player simply has to know

the ukulele songbook 50 all time classics volume ii - Feb 16 2023

web dec 22 2014 the follow up to the successful ukulele classics songbook this handy collection contains another 50 great songs arranged for easy ukulele in c g c e a from shenandoah waltzing matilda and whiskey in the jar to aloa oe and banks of sacramento there s something for every musical taste on these

cours etc aggression laurent begue l aggression humaine une - Nov 29 2022

web l aggression humaine une perspective de psychologie sociale manifest du muséum histoire naturelle de la violence violet violence interpersonnelle pour comprendre un phénomène agressif il faut comprendre les circonstances aspect familiaux qui fait que le soin apporté aux enfants va déterminer l avenir

l aggression humaine livre et ebook psychologie sociale de - Jun 05 2023

web cet ouvrage clair et synthétique analyse d abord les antécédents et conditions qui conduisent un individu à engager une action agressive il présente ensuite les principaux modèles explicatifs psychologiques et psychosociologiques de l en savoir plus

l aggression humaine laurent bègue cairn info - Aug 07 2023

web cet ouvrage clair et synthétique analyse d abord les antécédents et conditions qui conduisent un individu à engager une action agressive il présente ensuite les principaux modèles explicatifs psychologiques et psychosociologiques de l aggression cet ouvrage est en accès conditionnel

l aggression humaine psycho sup amazon com tr - Oct 09 2023

web arama yapmak istediğiniz kategoriye seçin

etc l aggression humaine une perspective de psychologie sociale - Jul 26 2022

web imprimer partager mis à jour le 4 janvier 2023 ce cours constitue une introduction générale à la psychologie sociale des conduites agressives qu est ce que l aggression et comment l étudier comment se développe l aggression les différences d expression agressive liées au genre les différences interindividuelles prédisposantes

jean szlamowicz et pierre andré taguieff israël est une - Aug 27 2022

web 16 hours ago tribune dans une tribune au monde les deux universitaires s indignent de l argumentation selon laquelle la politique conduite par israël serait la cause de l aggression commise par

l aggression humaine by laurent bègue goodreads - Apr 22 2022

web l'agression humaine book read reviews from world's largest community for readers

chapitre 7 pour conclure le modèle général de l'agression - Mar 22 2022

web le modèle général de l'agression m'ga est un modèle intégratif permettant d'articuler les variables situationnelles individuelles et biologiques impliquées dans le comportement agressif ce modèle émerge donc aux principales théories et aux principaux modèles que l'on a présentés dans ce livre et en propose une articulation

l'agression humaine cairn info - Jul 06 2023

web chapitre 1 qu'est-ce que l'agression et comment l'étudier 11 chapitre 2 genèse de l'agression et différences liées au genre 31 chapitre 3 théories et modèles de l'agression 51 chapitre 4

l'agression humaine de laurent bègue un petit livre majeur - May 24 2022

web nov 8 2010 l'agression humaine de laurent bègue un petit livre majeur par olivier maurel fondateur de l'oveo si j'avais à recommander à des étudiants un livre qui fasse le tour des recherches actuelles sur la violence et l'agression humaine c'est certainement le livre de laurent bègue que je choisirais

introduction cairn info - Apr 03 2023

web d'autres vestiges de la violence humaine démontrent qu'otzi ne saurait être une victime isolée en 2008 une publication des annales de l'académie nationale américaine des sciences pnas apportait les détails macabres de la découverte des ossements de treize personnes humaines entretenant des liens de parenté datant de 4 600

chapitre 4 les facteurs situationnels de l'agression cairn info - Oct 29 2022

web le comportement agressif est conditionné par le contexte matériel et social dans lequel il se produit la présence et l'action d'un provocateur constituent on le verra une cause situationnelle d'agression très fréquente et parmi les plus étudiées en psychologie sociale

l'agression humaine laurent bègue google books - Feb 01 2023

web l'agression humaine psychologie sociale author laurent bègue publisher dunod 2015 isbn 2100740504 9782100740505 length 208 pages

agressivité éthologie 5 encyclopædia universalis - May 04 2023

web agressivité éthologie le cas particulier de l'agression chez l'homme contrairement à ce que d'aucuns affirment la transposition à notre espèce de ces résultats solidement établis chez l'animal est pratiquement impossible chez l'homme les capacités d'apprentissage sont bien

népal des équipes de l'onu s'activent suite à un séisme meurtrier - Feb 18 2022

web nov 4 2023 a l'approche de l'hiver les vêtements chauds les abris les soins de santé et la nourriture constituent un besoin critique les agences des nations unies s'activent le fonds des nations unies pour l'enfance unicef a déployé des

équipes de secours et des fournitures humanitaires dont plus de 1 300 couvertures et 1 000 bâches

12 6 agressivité global - Mar 02 2023

web bien que l'agressivité offre un avantage évolutif évident aux hommes les femmes se livrent également à de l'agressivité les femmes manifestent généralement des formes instrumentales d'agressivité leur agressivité servant de moyen d'y mettre fin dodge et schwartz 1997

chapitre 3 théories et modèles de l'agression cairn info - Jun 24 2022

web sur un sujet proche selon les modèles instinctuels les tendances activatrices du comportement se situent au niveau intrapsychique des impulsions agressives seraient spontanément générées par l'organisme et auraient une fonction de défense et d'affirmation par rapport à l'entourage

amazon fr l'agression humaine bègue laurent livres - Sep 27 2022

web 3 00 6 d'occasion à partir de 2 78 1 neuf à partir de 18 90 cet ouvrage clair et synthétique analyse d'abord les antécédents et conditions qui conduisent un individu à engager une action agressive il présente ensuite les principaux modèles explicatifs psychologiques et psychosociologiques de l'agression

ukraine l'onu condamne l'attaque meurtrière d'un navire civil à - Dec 31 2022

web 15 hours ago le port d'odessa au bord de la mer noire la coordinatrice humanitaire pour l'ukraine denise brown s'est dite indignée par l'attaque survenue mercredi d'un navire civil alors qu'il entrait dans le port de la ville d'odessa tuant un employé du port et blessant des membres d'équipage partageant ses condoléances avec la famille

pdf l'agression humaine researchgate - Sep 08 2023

web au regard de ces éléments de définition les comportements punitifs apparaissent comme une forme particulière d'agression en effet le terme d'agression définit tout