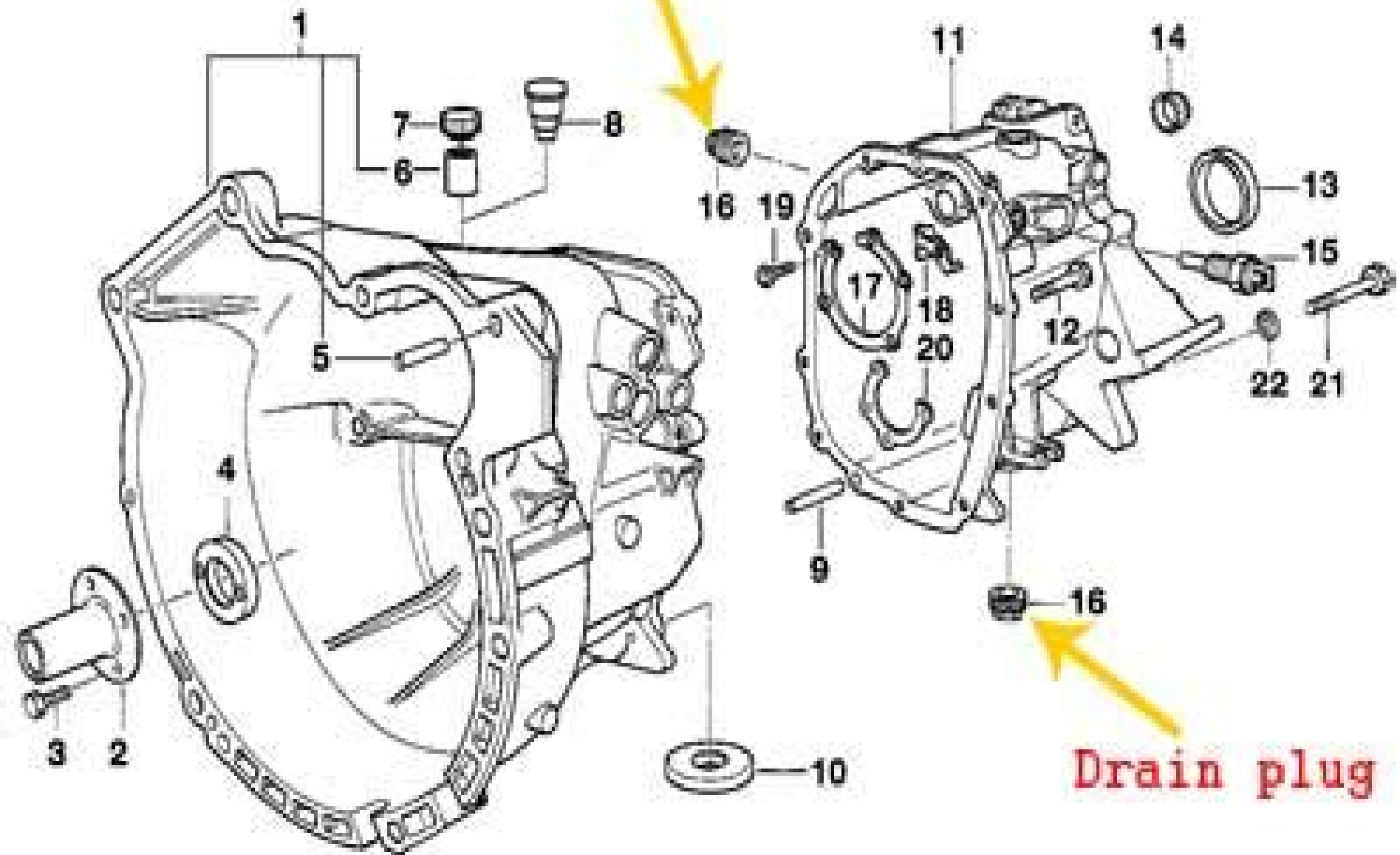


Fill plug



Drain plug

E39 Manual Transmission Problems

Marco Cascella



E39 Manual Transmission Problems

Spend the Day Appreciating Every Little Thing Happy 82nd Birthday Cinder Publishing, 2019-08-09 This 82nd Birthday Journal Diary Notebook makes an awesome unique birthday card greeting card idea as a present This journal is 6 x 9 inches in size with 110 blank lined pages with a white background theme for writing down thoughts notes ideas or even sketching

BMW Buyer's Guide Fred Larimer, From the exotic M1 and 850Csi to the popular 3 5 and 7 Series sports luxury tourers this all color Buyer s Guide points the way through the full history of the BMW marque and offers valuable specifications production numbers investment advice and more Take the ultimate driving machine out for a test drive before you buy Comparable title **Illustrated BMW Buyer s Guide 2nd ed 0 87938 754 8**

Chilton's Engine Electronic Control Manual 1978-87 ,1987

BMW 5 Series (E39) Service Manual Bentley Publishers, 2003 The ultimate service manuals Bentley manuals are the only comprehensive single source of service information and specifications available for BMW cars These manuals provide the highest level of clarity and completeness for all service and repair procedures Enthusiasts do it yourselfers and professional technicians will appreciate the quality of photographs and illustrations theory of operation and accurate step by step instructions If you are looking for better understanding of your BMW look no further than Bentley Even if you do not repair your own vehicle knowledge of its internal workings will help you when discussing repairs and maintenance with your professional automotive technician This Bentley Manual is the only comprehensive single source of service information and specifications available specifically for BMW 5 Series from 1997 to 2002 The aim throughout this manual has been simplicity clarity and completeness with practical explanations step by step procedures and accurate specifications Whether you are a professional or a do it yourself BMW owner this manual will help you understand care for and repair your E39 5 Series Though the do it yourself BMW owner will find this manual indispensable as a source of detailed maintenance and repair information the BMW owner who has no intention of working on his or her car will find that reading and owning this manual will make it possible to discuss repairs more intelligently with a professional technician

The Low-down on High Octane Gasoline ,1997

Memoirs of a Hack Mechanic Rob Siegel, 2013 For over 25 years Rob Siegel has written a monthly column called The Hack Mechanic for the BMW Car Club of America s magazine Roundel In Memoirs of a Hack Mechanic Rob Siegel shares his secrets to buying fixing and driving cool cars without risking the kids tuition money or destroying his marriage And that s something to brag about considering the dozens of cars including twenty five BMW 2002s that have passed through his garage over the past three decades With a steady dose of irreverent humor Memoirs of a Hack Mechanic blends car stories DIY advice and cautionary tales in a way that will resonate with the car obsessed and the people who love them

101 Performance Projects for Your BMW 3 Series 1982-2000 Wayne R. Dempsey, 2006-09-15 Since its introduction in 1975 the BMW 3 series has earned a reputation as one of the world s greatest

sports sedans Unfortunately it has also proven one of the more expensive to service and maintain This book is dedicated to the legion of BMW 3 series owners who adore their cars and enjoy restoring modifying and maintaining them to perfection its format allows more of these enthusiasts to get out into the garage and work on their BMWs and in the process to save a fortune Created with the weekend mechanic in mind this extensively illustrated manual offers 101 projects that will help you modify maintain and enhance your BMW 3 series sports sedan Focusing on the 1984 1999 E30 and E36 models 101 Performance Projects for Your BMW 3 Series presents all the necessary information covers all the pitfalls and assesses all the costs associated with performing an expansive array of weekend projects *BMW 3- & 5-series Service and Repair Manual* Andrew K. Legg,Larry Warren,1998 BMW 3 Saloon Touring Saloon 81 88 up to F 5 Series E34 518i 520i 525i 530i 535i Saloon Touring 88 91 F to J Does NOT cover models with DOHC V8 or Diesel engines or 4x4 For other 3 5 series models see manuals no 0276 0632 0815 1560 or 3210 Petrol 1 6 litre 1596cc 1 8 litre 1766 1795cc 2 0 litre 1990cc 2 5 litre 2494cc 2 8 litre 2788cc 3 0 litre 2986cc 3 5 litre 3430cc SOHC [Motor Auto Engine Tune Up & Electronics Manual](#) Michael J. Kromida,1984 **BMW 5 Series (E60, E61) Service Manual: 2004, 2005, 2006, 2007, 2008, 2009, 2010: 525i, 525xi, 528i, 528xi, 530i, 530xi, 535i, 535xi, 545i, 550i** Bentley Publishers,2011-09-23 The BMW 5 Series E60 E61 Service Manual 2004 2010 contains in depth maintenance service and repair information for the BMW 5 Series from 2004 to 2010 The aim throughout has been simplicity and clarity with practical explanations step by step procedures and accurate specifications Whether you re a professional or a do it yourself BMW owner this manual helps you understand care for and repair your BMW discuss repairs more intelligently with a professional technician Models covered 525i and 530i M54 engine 2004 2005 N52 engine 2006 2007 528i N52K engine 2008 2010 535i N54 twin turbo engine 2008 2010 545i N62 V8 engine 2004 2005 550i N62 TU V8 engine 2006 2010 *BMW 3 Series (F30, F31, F34) Service Manual: 2012, 2013, 2014, 2015: 320i, 328i, 328d, 335i, Including Xdrive* Bentley Publishers,2016-02-16 The BMW 3 Series F30 F31 F34 Service Manual 2012 2015 contains in depth maintenance service and repair information for the BMW 3 Series from 2012 to 2015 The aim throughout has been simplicity and clarity with practical explanations step by step procedures and accurate specifications Whether you re a professional or a do it yourself BMW owner this manual helps you understand care for and repair your 3 Series Engines Gasoline N20 engine 320i 328i including xDrive N26 SULEV engine 328i including xDrive N55 engine 335i including xDrive **ABCs of z/OS System Programming Volume 8** Paul Rogers,Peter Hilger,IBM Redbooks,2012-07-26 The ABCs of IBM z OS System Programming is a 13 volume collection that provides an introduction to the z OS operating system and the hardware architecture Whether you are a beginner or an experienced system programmer the ABCs collection provides the information you need to start your research into z OS and related subjects If you would like to become more familiar with z OS in your current environment or if you are evaluating platforms to consolidate your e business applications the ABCs collection serves as a powerful technical tool This IBM Redbooks publication Volume 8 shows you how

to Adopt a systematic and thorough approach to dealing with problems and identifying the different types of problems
Determine where to look for diagnostic information and how to obtain it Interpret and analyze the diagnostic data collected
Escalate problems to the IBM Support Center when necessary Collect and analyze diagnostic data a dynamic and complex
process Identify and document problems collect and analyze pertinent diagnostic data and obtain help as needed to speed
you on your way to problem resolution The content of the volumes is as follows Volume 1 Introduction to z OS and storage
concepts TSO E ISPF JCL SDSF and z OS delivery and installation Volume 2 z OS implementation and daily maintenance
defining subsystems JES2 and JES3 LPA LNKLST authorized libraries SMP E Language Environment Volume 3 Introduction
to DFSMS data set basics storage management hardware and software catalogs and DFSMStvs Volume 4 Communication
Server TCP IP and VTAM Volume 5 Base and Parallel Sysplex System Logger Resource Recovery Services RRS global
resource serialization GRS z OS system operations automatic restart management ARM Geographically Dispersed Parallel
Sysplex™ GDPS Volume 6 Introduction to security RACF Digital certificates and PKI Kerberos cryptography and z990
integrated cryptography zSeries firewall technologies LDAP and Enterprise identity mapping EIM Volume 7 Printing in a z
OS environment Infoprint Server and Infoprint Central Volume 8 An introduction to z OS problem diagnosis Volume 9 z OS
UNIX System Services Volume 10 Introduction to z Architecture™ zSeries processor design zSeries connectivity LPAR
concepts HCD and HMC Volume 11 Capacity planning performance management WLM RMFTM and SMF

LS Swaps
Jefferson Bryant, 2014-04-10 Introduced in 1997 the GM LS engine has become the dominant V 8 engine in GM vehicles and a
top selling high performance crate engine GM has released a wide range of Gen III and IV LS engines that deliver
spectacular efficiency and performance These compact lightweight cutting edge pushrod V 8 engines have become affordable
and readily obtainable from a variety of sources In the process the LS engine has become the most popular V 8 engine to
swap into many American and foreign muscle cars sports cars trucks and passenger cars To select the best engine for an LS
engine swap you need to carefully consider the application Veteran author and LS engine swap master Jefferson Bryant
reveals all the criteria to consider when choosing an LS engine for a swap project You are guided through selecting or
fabricating motor mounts for the project Positioning the LS engine in the engine compartment and packaging its equipment
is a crucial part of the swap process which is comprehensively covered As part of the installation you need to choose a
transmission crossmember that fits the engine and vehicle as well as selecting an oil pan that has the correct profile for the
crossmember with adequate ground clearance Often the brake booster steering shaft accessory pulleys and the exhaust
system present clearance challenges so this book offers you the best options and solutions In addition adapting the computer
control system to the wiring harness and vehicle is a crucial aspect for completing the installation which is thoroughly
detailed As an all new edition of the original top selling title LS Swaps How to Swap GM LS Engines into Almost Anything
covers the right way to do a spectrum of swaps So pick up this guide select your ride and get started on your next exciting

project **BMW 5 Series** James Taylor,1999 In this manual motoring historian James Taylor tells the story of the design development and production of the BMW 5 Series through each generation Topics covered include the history of BMW before the 5 Series detailed model by model specifications production details and running costs M Series and touring models and advice on buying a BMW 5 Series today **The Glossary of Prosthodontic Terms** ,1994 Just Needs a Recharge Rob Siegel,2018-04-24 Air conditioning in vintage cars often falls into disrepair as owners figure that it never really worked all that well when it was new and assume that rejuvenation would be prohibitively expensive In his new book Just Needs a Recharge The Hack Mechanic Guide to Vintage Air Conditioning Rob Siegel details exactly what s needed to resurrect long dead air conditioning in a vintage car or install a c in a car that never had it In a level of detail not found in any other automotive a c book Rob reveals what you need to know about flare and o ring fittings upgrading to a rotary style compressor and a parallel flow condenser making or specifying custom hoses and selecting refrigerant so that the a c blows cold enough to be usable Although the book draws from Rob s BMW experience with specifics for the BMW 2002 and 3 0CS and concentrates on vintage a c systems those that have flare fittings and originally contained R12 most of the information applies to any air conditioning system foreign or domestic vintage or modern Written in Rob s entertaining Hack Mechanic narrative voice and including 240 photographs and illustrations the book covers theory the choice of refrigerant R12 R134a other EPA approved non EPA approved legality tools for a c work fittings and sizes the compressor the evaporator assembly and expansion valve or orifice tube the condenser and fan the receiver drier or accumulator electrical connections and compressor cycling connecting and using manifold gauges the basic steps for a c rejuvenation from scratch a c retrofit making and installing hoses flushing the system pressure testing and leak detection evacuating and charging the system troubleshooting and other things that heat up the cabin Textbook of Plastic and Reconstructive Surgery Deepak K. Kalaskar,Peter E M Butler,Shadi Ghali,2016-08-02 Written by experts from London s renowned Royal Free Hospital Textbook of Plastic and Reconstructive Surgery offers a comprehensive overview of the vast topic of reconstructive plastic surgery and its various subspecialties for introductory plastic surgery and surgical science courses The book comprises five sections covering the fundamental principles of plastic surgery cancer burns and trauma paediatric plastic surgery and aesthetic surgery and covers the breadth of knowledge that students need to further their career in this exciting field Additional coverage of areas in which reconstructive surgery techniques are called upon includes abdominal wall reconstruction ear reconstruction and genital reconstruction A chapter on aesthetic surgery includes facial aesthetic surgery and blepharoplasty aesthetic breast surgery body contouring and the evolution of hair transplantation The broad scope of this volume and attention to often neglected specialisms such as military plastic surgery make this a unique contribution to the field Heavily illustrated throughout Textbook of Plastic and Reconstructive Surgery is essential reading for anyone interested in furthering their knowledge of this exciting field This book was produced as part of JISC s Institution as e Textbook Publisher project

Find out more at <https://www.jisc.ac.uk/rd/projects/institution-as-e-textbook-publisher>

Descriptions of Medical Fungi
Sarah Kidd, Catriona Halliday, Helen Alexiou, David Ellis, 2016-04-20
Descriptions of Medical Fungi Third Edition Sarah Kidd, Catriona Halliday, Helen Alexiou and David Ellis 2016
This updated third edition which includes new and revised descriptions. We have endeavoured to reconcile current morphological descriptions with more recent genetic data. More than 165 fungus species are described including members of the Zygomycota, Hyphomycetes, Dimorphic Pathogens, Yeasts and Dermatophytes. 340 colour photographs, Antifungal Susceptibility Profiles, Microscopy Stains Techniques, Specialised Culture Media, References. 250 pages.

Genetics and Genomics in Nursing
Quannetta T Edwards, PhD, MSN, MPH, FNP-BC, WHNP, AGN-BC, FAANP, Ann Maradiegue, PhD, MSN, FNP-BC, FAANP, 2017-07-28
Delivers complex information in an easy to read step by step format. The genomic era encompasses the entire spectrum of DNA, all of the genes and the interaction and interrelationship of genes, genome to the environment. Rapidly changing research has led to numerous advances in genetic testing, diagnosis and treatments and it is essential that APRNs be able to integrate genetic risk assessment into clinical care. This quick reference delivers complex information in an easy to read step by step format with bitesize info boxes and bulleted information to provide the tools necessary to understand genetics, genomics and identify red flags that can appear in patient assessments. In an age of personalized and precision medicine, genetic risk assessment has never been more important.

Genetics and Genomics in Nursing begins with an overview of genetics and the science behind inheritance. Chapters then break down the processes that make up risk assessment and walk the reader through data collection and review, identification and calculation of risk and patient communication. Finally, the last section of this text discusses special populations and key facts nurses need to know about their risk assessment.

Key Features
Provides a clear introduction to a complex topic.
Describes important elements of the genomic risk assessment process for use in clinical settings when evaluating patients.
Illustrates how to develop a three generation pedigree.
Applies commonly used standardized pedigree symbols and familial patterns to aid in risk interpretation.
Discusses the challenges and limitations of pedigree interpretation.
Explains common concepts and includes helpful genomic resources.
Incorporates genomic risk assessment into patient evaluation.

Adverse Effects of Vaccines
Institute of Medicine, Board on Population Health and Public Health Practice, Committee to Review Adverse Effects of Vaccines, 2012-04-26
In 1900, for every 1,000 babies born in the United States, 100 would die before their first birthday, often due to infectious diseases. Today, vaccines exist for many viral and bacterial diseases. The National Childhood Vaccine Injury Act passed in 1986 was intended to bolster vaccine research and development through the federal coordination of vaccine initiatives and to provide relief to vaccine manufacturers facing financial burdens. The legislation also intended to address concerns about the safety of vaccines by instituting a compensation program, setting up a passive surveillance system for vaccine adverse events and by providing information to consumers. A key component of the legislation required the U.S. Department of Health and Human Services to collaborate

with the Institute of Medicine to assess concerns about the safety of vaccines and potential adverse events especially in children Adverse Effects of Vaccines reviews the epidemiological clinical and biological evidence regarding adverse health events associated with specific vaccines covered by the National Vaccine Injury Compensation Program VICP including the varicella zoster vaccine influenza vaccines the hepatitis B vaccine and the human papillomavirus vaccine among others For each possible adverse event the report reviews peer reviewed primary studies summarizes their findings and evaluates the epidemiological clinical and biological evidence It finds that while no vaccine is 100 percent safe very few adverse events are shown to be caused by vaccines In addition the evidence shows that vaccines do not cause several conditions For example the MMR vaccine is not associated with autism or childhood diabetes Also the DTaP vaccine is not associated with diabetes and the influenza vaccine given as a shot does not exacerbate asthma Adverse Effects of Vaccines will be of special interest to the National Vaccine Program Office the VICP the Centers for Disease Control and Prevention vaccine safety researchers and manufacturers parents caregivers and health professionals in the private and public sectors

wild thomas 3 wildfowl 12 gauge shotgun second hand - Aug 05 2022

web 06 00 22 00 buy a 12 gauge wild thomas 3 wildfowl side by side shotgun online today this second hand side by side shotgun requires a shotgun licence contact the

12 gauge side by side wild thomas shotguns for sale guntrader - Dec 29 2021

web trade seller wild thomas made damascus barrelled side by side hammer gun overall fair condition stock has marks in line with its age please note gun is black

wild thomas side by side shotguns for sale gunstar - Mar 12 2023

web browse wild thomas side by side for sale from our community of shooting enthusiasts on the uk s 1 gun marketplace search buy and sell side by side on gunstar today

thomas wild pigeon hammer gun 12ga 30 bbl guns - Feb 11 2023

web thomas wild pigeon hammer gun 12ga 30 bbl description specifications maker thomas wild model hammer pigeon gauge caliber 12ga barrel

wild thomas 12 gauge shotgun second hand guns for sale - Oct 07 2022

web buy a 12 gauge wild thomas side by side shotgun online today this second hand side by side shotgun requires a shotgun licence contact the seller today using our contact

wild thomas shotguns for sale on guntrader uk - Oct 19 2023

web make t wild model blne calibre 12g condition used mechanism side by side style blne orientation r h barrel length 28 trigger double case sor choke 1 499

thomas wild 12g with classic prince of wales grip and 2 3 4 - Jan 30 2022

web feb 24 2007 thomas wild 12g with classic prince of wales grip and 2 3 4 proofs so can shoot many of the american shells for sale online

rowland watson gunmakers - Sep 18 2023

web rowland watson thomas wild gunmakers retail of new secondhand shotguns rifles complete gunsmith services including repairs restorations

thomas wild best ble 12 ga 2 barrel set guns international - Jul 16 2023

web description thomas wild is a birmingham england gunmaker this is a 2 barrel set one set is 30 and chambers 2 1 2 and the other is 30 and chambers 2 3 4 the 1st set of

thomas wild 12g with original 2 3 4 proofs guns international - May 14 2023

web feb 24 2007 sold manufacturer thomas wild 12g with original 2 3 4 proofs this is a very sound and tight gun that is ready for you and your 2 3 4 shells model none serial

thomas wild guns for sale gunstar - May 02 2022

web browse thomas wild guns for sale on gunstar the 1 shooting marketplace in the uk

thomas wild 12 nonejector sxs shotgun gunsamerica com - Nov 08 2022

web seller interestedshotguns buy a thomas wild 12b sxs english boxlock shorgun barrels 30 steel 2 12 chambers extractors c for sale by interestedshotguns on

british boxlock birmingham maker thomas wild - Apr 13 2023

web sep 24 2008 description british boxlock birmingham maker thomas wild 12ga side by side 28 inch shotgun circa 1920 30 all matching serial numbers

[antique wild thomas shotguns for sale gunstar](#) - Nov 27 2021

web browse antique wild thomas shotguns for sale from our community of shooting enthusiasts on the uk s 1 gun marketplace search buy and sell shotguns on

wild thomas shotguns for sale gunstar - Jun 15 2023

web browse wild thomas shotguns for sale from our community of shooting enthusiasts on the uk s 1 gun marketplace search buy and sell shotguns on gunstar today

thomas wild 12 gauge hammer shotgun guns - Jan 10 2023

web jul 25 2010 description thomas wild was a birmingham england maker of shotguns this shotgun features 30 steel barrels with nitro proofing as an antique it can be

activated wild thomas shotguns for sale gunstar - Dec 09 2022

web browse activated wild thomas shotguns for sale from our community of shooting enthusiasts on the uk s 1 gun marketplace search buy and sell shotguns on

wild thomas shotguns for sale on guntrader uk - Feb 28 2022

web this is a beautiful thomas wild has seen better days but still in good working condition has just has new top lever spring fitted this gun has had a stock extension done with a

[thomas wild sle 12 gauge for sale guns international](#) - Aug 17 2023

web thomas wild sle 12 gauge description maker thomas wild model sle gauge 12 gauge barrels 25 chokes ic m l o p 14 3 4 drop 1 1 2 c x 2 1 4 h weight 6 lbs

wild thomas 12 gauge shotgun second hand guns for sale - Sep 06 2022

web description a pre owned left handed example of this 12 bore thomas wild side by side this gun features attractive game scene engraving nicely offset by a well figured 14 3 4

[side by side wild thomas shotguns for sale guntrader](#) - Apr 01 2022

web a pre owned left handed example of this 12 bore thomas wild side by side this gun features attractive game scene engraving nicely offset by a well figured 14 3 4 straight

[wild thomas 08 gauge shotgun second hand guns for sale](#) - Jun 03 2022

web buy a 08 gauge wild thomas side by side shotgun online today this second hand side by side shotgun requires no licence contact the seller today using our contact form

thomas wild shotguns for sale uk triggertraders - Jul 04 2022

web here at triggertraders you will find an extensive range of thomas wild shotguns for sale uk in the uk new guns and second hand guns

fiat grande punto free workshop and repair manuals - Sep 23 2022

web this 2009 fiat grande punto service and repair manual ca009793 is an electronic format that allows you to easily access the necessary instructions and diagrams to fix

fiat grande punto service manual translated pdf - Jun 01 2023

web jul 30 2012 1 location france mar 21 2012 1 hi there i recently bought a grande punto 1 4 and i searching for a total service manual for this car it is a 2006 serial n

[fiat grande punto service manual pdf peatix](#) - Dec 15 2021

[fiat punto service repair manual fiat punto pdf](#) - Sep 04 2023

web view print and download for free fiat grande punto 2010 199 1 g service manual 216 pages pdf size 3 5 mb search in fiat

grande punto 2010 199 1 g service

fiat grande punto service repair manuals on motor era - Jul 02 2023

web download here workshop service manual fiat grande punto dealer software cd rom all models grande punto produced in 2005 thru 2011 are covered petrol engine

service manual fiat grande punto the fiat forum - Mar 18 2022

web fiat grande punto owners manual covering weekly checks fiat grande punto workshop manual covering lubricants fluids and tyre pressures fiat grande punto service

fiat grande punto 2005 2010 workshop repair manual download - Apr 18 2022

web fiat grande punto workshop manual and electrical fiat grande punto service manual pdf diagrams the same fiat grande punto repair manual as used by fiat garages to fiat

fiat grande punto 199 user s manuals manuals fiat fiat club - Jul 22 2022

web fiat grande punto workshop repair manual download official fiat grande punto workshop service repair manual is the complete service repair information system

fiat punto iii 2005 2015 service and repair manuals tmb - Jan 28 2023

web sep 15 2015 alloy wheels two sets of tyres service manual multiactive steering wheel fiat grande punto 1 4 service manual click here fiat grande punto

fiat grande punto repair service manuals - Nov 13 2021

fiat grande punto actual owner s and service manuals - May 20 2022

web mar 30 2023 1 hi all can anyone help me out with service manual in pdf format i managed to find one but in italian nothing in downloads its a 1 9 multijet 2007 cheers

fiat punto repair service manuals 72 pdf s - Dec 27 2022

web fiat grande punto workshop repair and owners manuals for all years and models free pdf download for thousands of cars and trucks

fiat grande punto service manual 2005 2012 - Jan 16 2022

fiat grande punto 2005 2011 service manual multilanguage - Apr 30 2023

web oct 31 2023 using photos and step by step instructions this haynes manual on the fiat grande punto punto evo and punto models from the years 2006 2015 describes

fiat grande punto 199 repair manuals manuals fiat fiat - Oct 05 2023

web 11 rows grande punto 199 fiat 199 grande punto 2007 manual pdf repair manuals 18 7 mb english 533 grande punto 199 manuale tecnico d officina fiat grande

fiat grande punto 2010 199 1 g service manual car - Aug 03 2023

web motor era offers service repair manuals for your fiat grande punto download your manual now fiat grande punto service repair manuals complete list of fiat

fiat grande punto service repair manual fiat grande punto - Aug 23 2022

web fiat grande punto actual owner s and service manuals online download pdf fiat grande punto actual owner s manuals and service manuals for online

fiat grande punto 1 4 service manual pdf motor vehicle - Oct 25 2022

web grande punto 199 pdf 2012 fiat punto pdf 2018 fiat punto 111747 pdf fiat punto 2006 2007 2008 es es c32b7d1e94 pdf 2010 punto blue me user guide pdf fiat gr punto

fiat grande punto actual user manual 216 pages - Nov 25 2022

web you fix cars has auto service repair manuals for your fiat grande punto download your manual now fiat grande punto service repair manuals complete list of fiat

2009 fiat grande punto service and repair manual ca009793 - Jun 20 2022

web may 6 2010 1 hello at fiat forum anybody got a fiat service maintenance manual for the grande punto with t jet engine or just a manual for the t jet engine best regards

fiat grande punto workshop repair manual - Mar 30 2023

web updated july 23 we have 71 fiat punto manuals covering a total of 18 years of production in the table below you can see 0 punto workshop manuals 0 punto owners

service manual fiat grande punto the fiat forum - Feb 14 2022

grande punto service manual the fiat forum - Feb 26 2023

web user guide read online or download pdf fiat grande punto actual user manual fiat cars

massage a tout a ge a tout moment en tout lieu pdf - Dec 30 2022

web aug 5 2023 massage a tout a ge a tout moment en tout lieu 2 4 downloaded from uniport edu ng on august 5 2023 by guest pas il prsente des gestes de massages

massage a tout a ge a tout moment en tout lieu pdf - Jul 25 2022

web jun 30 2023 this online revelation massage a tout a ge a tout moment en tout lieu can be one of the options to accompany you with having additional time it will not waste your

masaj salonları İstanbul masaj - May 03 2023

web sorun 24 saat içerisinde cevap garanti İstanbul da masaj hizmeti sunan masaj salonlarının adres telefon ve diğer iletişim bilgileri yer almaktadır

massage a tout a ge a tout moment en tout lieu uniport edu - May 23 2022

web massage a tout a ge a tout moment en tout lieu as you such as by searching the title publisher or authors of guide you in fact want you can discover them rapidly in the

massage a tout a ge a tout moment en tout lieu pdf - Sep 26 2022

web massage a tout a ge a tout moment en tout lieu 1 massage a tout a ge a tout moment en tout lieu trade marks journal bulletin général de thérapeutique

İstanbul un en İyi 10 masaj ve spa merkezi mahmure hürriyet - Jun 04 2023

web legacy ottoman hotel İstanbul un tarihi ve mistik havasının hissedildiği sirkeci de yer alan legacy ottoman hotel in içinde yer alan harmony spa zor yorucu ve stresli bir günün

İstanbul daki masaj salonları için tıklayın İstanbul masaj - Oct 08 2023

web mar 10 2015 tüm İstanbul daki masaj salonlarını bir arada topladık ve ilçe ilçe hatta semt semt gruplandırdık kendi yaşadığınız bölgedeki masaj salonuna ulaşmak için

massage a tout a ge a tout moment en tout lieu copy - Oct 28 2022

web massage a tout a ge a tout moment en tout lieu 1 4 downloaded from uniport edu ng on august 3 2023 by guest massage a tout a ge a tout moment en tout lieu when

massage a tout a ge a tout moment en tout lieu pdf - Jan 19 2022

web aug 8 2023 livre retrouvez tous les bienfaits du massage et les précautions à prendre 16 atelier massages de 7 minutes illustrés en pas à pas selon l âge de votre enfant ses

massage a tout a ge a tout moment en tout lieu 2022 dna - Sep 07 2023

web oct 30 2023 2 massage a tout a ge a tout moment en tout lieu 2023 03 29 autres découvrez comment ramener le calme au moyen de différents outils respiration

İstanbul masaj salonları ve spa merkezleri - Apr 02 2023

web sorun 24 saat içerisinde cevap garanti İstanbul masaj salonları ve spa merkezleri ile sertifikalı masöz ve masör tanıtımları yanı sıra masaj çeşitleri hakkında bilgi paylaşımı

massage a tout a ge a tout moment en tout lieu pdf - Feb 17 2022

web jul 27 2023 livre retrouvez tous les bienfaits du massage et les précautions à prendre 16 atelier massages de 7 minutes illustrés en pas à pas selon l âge de votre enfant ses

massage a tout a ge a tout moment en tout lieu copy - Mar 01 2023

web massage a tout a ge a tout moment en tout lieu massage a tout a ge a tout moment en tout lieu 2 downloaded from rjonline org on 2022 06 07 by guest

massage a tout a ge a tout moment en tout lieu uniport edu - Mar 21 2022

web massage a tout a ge a tout moment en tout lieu 1 5 downloaded from uniport edu ng on may 9 2023 by guest massage a tout a ge a tout moment en tout lieu when

massage a tout a ge a tout moment en tout lieu uniport edu - Apr 21 2022

web jun 23 2023 massage a tout a ge a tout moment en tout lieu 1 4 downloaded from uniport edu ng on june 23 2023 by guest massage a tout a ge a tout moment en

massage a tout a ge a tout moment en tout lieu pdf - Jul 05 2023

web may 27 2023 massage a tout a ge a tout moment en tout lieu 2 5 downloaded from uniport edu ng on may 27 2023 by guest du corps des nourrissons des bébés et des

massage a tout a ge a tout moment en tout lieu - Aug 26 2022

web massage a tout a ge a tout moment en tout lieu eventually you will agreed discover a further experience and carrying out by spending more cash still massage a tout a

massage a tout a ge a tout moment en tout lieu 2023 - Nov 28 2022

web massage a tout a ge a tout moment en tout lieu 1 massage a tout a ge a tout moment en tout lieu deutsches archiv für klinische medizin archives de gynécologie

massage a tout a ge a tout moment en tout lieu copy - Jan 31 2023

web aug 31 2023 massage a tout a ge a tout moment en tout lieu 1 11 downloaded from uniport edu ng on august 31 2023 by guest massage a tout a ge a tout moment en

massage a tout a ge a tout moment en tout lieu book - Aug 06 2023

web aug 5 2023 massage a tout a ge a tout moment en tout lieu massage a tout a ge a tout moment en tout lieu 3 downloaded from avantevapehouse com on 2023 06 28

massage a tout a ge a tout moment en tout lieu copy - Dec 18 2021

web oct 29 2023 de pas à pas détaillés tous les gestes pour s initier en douceur et en toute sécurité au massage de son bébé les explications et les conseils pratiques

massage a tout a ge a tout moment en tout lieu pdf - Nov 16 2021

web may 16 2023 as this massage a tout a ge a tout moment en tout lieu it ends going on being one of the favored books massage a tout a ge a tout moment en tout lieu

massage a tout a ge a tout moment en tout lieu pdf - Jun 23 2022

web sep 1 2023 massage a tout a ge a tout moment en tout lieu 1 5 downloaded from uniport edu ng on september 1 2023
by guest massage a tout a ge a tout moment

Thank you extremely much for downloading **E39 Manual Transmission Problems**. Most likely you have knowledge that, people have look numerous period for their favorite books later than this E39 Manual Transmission Problems, but stop occurring in harmful downloads.

Rather than enjoying a fine PDF in imitation of a mug of coffee in the afternoon, on the other hand they juggled next some harmful virus inside their computer. **E39 Manual Transmission Problems** is nearby in our digital library an online access to it is set as public correspondingly you can download it instantly. Our digital library saves in combination countries, allowing you to get the most less latency era to download any of our books when this one. Merely said, the E39 Manual Transmission Problems is universally compatible afterward any devices to read.

https://offsite.creighton.edu/files/virtual-library/Documents/nursing_diagnosis_labor_and_delivery.pdf

https://offsite.creighton.edu/files/virtual-library/Documents/novels_by_arthur_hailey.pdf

https://offsite.creighton.edu/files/virtual-library/Documents/occasion_speech_for_pastor_anniversary.pdf

Table of Contents E39 Manual Transmission Problems

1. Understanding the eBook E39 Manual Transmission Problems
 - The Rise of Digital Reading E39 Manual Transmission Problems
 - Advantages of eBooks Over Traditional Books
2. Identifying E39 Manual Transmission Problems
 - Exploring Different Genres
 - Considering Fiction vs. Non-Fiction
 - Determining Your Reading Goals
3. Choosing the Right eBook Platform

- Popular eBook Platforms
- Features to Look for in an E39 Manual Transmission Problems
- User-Friendly Interface
- 4. Exploring eBook Recommendations from E39 Manual Transmission Problems
 - Personalized Recommendations
 - E39 Manual Transmission Problems User Reviews and Ratings
 - E39 Manual Transmission Problems and Bestseller Lists
- 5. Accessing E39 Manual Transmission Problems Free and Paid eBooks
 - E39 Manual Transmission Problems Public Domain eBooks
 - E39 Manual Transmission Problems eBook Subscription Services
 - E39 Manual Transmission Problems Budget-Friendly Options
- 6. Navigating E39 Manual Transmission Problems eBook Formats
 - ePub, PDF, MOBI, and More
 - E39 Manual Transmission Problems Compatibility with Devices
 - E39 Manual Transmission Problems Enhanced eBook Features
- 7. Enhancing Your Reading Experience
 - Adjustable Fonts and Text Sizes of E39 Manual Transmission Problems
 - Highlighting and Note-Taking E39 Manual Transmission Problems
 - Interactive Elements E39 Manual Transmission Problems
- 8. Staying Engaged with E39 Manual Transmission Problems
 - Joining Online Reading Communities
 - Participating in Virtual Book Clubs
 - Following Authors and Publishers E39 Manual Transmission Problems
- 9. Balancing eBooks and Physical Books E39 Manual Transmission Problems
 - Benefits of a Digital Library
 - Creating a Diverse Reading Collection E39 Manual Transmission Problems
- 10. Overcoming Reading Challenges
 - Dealing with Digital Eye Strain
 - Minimizing Distractions
 - Managing Screen Time

11. Cultivating a Reading Routine E39 Manual Transmission Problems
 - Setting Reading Goals E39 Manual Transmission Problems
 - Carving Out Dedicated Reading Time
12. Sourcing Reliable Information of E39 Manual Transmission Problems
 - Fact-Checking eBook Content of E39 Manual Transmission Problems
 - Distinguishing Credible Sources
13. Promoting Lifelong Learning
 - Utilizing eBooks for Skill Development
 - Exploring Educational eBooks
14. Embracing eBook Trends
 - Integration of Multimedia Elements
 - Interactive and Gamified eBooks

E39 Manual Transmission Problems Introduction

In today's digital age, the availability of E39 Manual Transmission Problems books and manuals for download has revolutionized the way we access information. Gone are the days of physically flipping through pages and carrying heavy textbooks or manuals. With just a few clicks, we can now access a wealth of knowledge from the comfort of our own homes or on the go. This article will explore the advantages of E39 Manual Transmission Problems books and manuals for download, along with some popular platforms that offer these resources. One of the significant advantages of E39 Manual Transmission Problems books and manuals for download is the cost-saving aspect. Traditional books and manuals can be costly, especially if you need to purchase several of them for educational or professional purposes. By accessing E39 Manual Transmission Problems versions, you eliminate the need to spend money on physical copies. This not only saves you money but also reduces the environmental impact associated with book production and transportation. Furthermore, E39 Manual Transmission Problems books and manuals for download are incredibly convenient. With just a computer or smartphone and an internet connection, you can access a vast library of resources on any subject imaginable. Whether you're a student looking for textbooks, a professional seeking industry-specific manuals, or someone interested in self-improvement, these digital resources provide an efficient and accessible means of acquiring knowledge. Moreover, PDF books and manuals offer a range of benefits compared to other digital formats. PDF files are designed to retain their formatting regardless of the device used to open them. This ensures that the content appears exactly as intended by the author, with no loss of formatting or missing graphics. Additionally, PDF files can be easily annotated, bookmarked, and searched for specific terms, making

them highly practical for studying or referencing. When it comes to accessing E39 Manual Transmission Problems books and manuals, several platforms offer an extensive collection of resources. One such platform is Project Gutenberg, a nonprofit organization that provides over 60,000 free eBooks. These books are primarily in the public domain, meaning they can be freely distributed and downloaded. Project Gutenberg offers a wide range of classic literature, making it an excellent resource for literature enthusiasts. Another popular platform for E39 Manual Transmission Problems books and manuals is Open Library. Open Library is an initiative of the Internet Archive, a non-profit organization dedicated to digitizing cultural artifacts and making them accessible to the public. Open Library hosts millions of books, including both public domain works and contemporary titles. It also allows users to borrow digital copies of certain books for a limited period, similar to a library lending system. Additionally, many universities and educational institutions have their own digital libraries that provide free access to PDF books and manuals. These libraries often offer academic texts, research papers, and technical manuals, making them invaluable resources for students and researchers. Some notable examples include MIT OpenCourseWare, which offers free access to course materials from the Massachusetts Institute of Technology, and the Digital Public Library of America, which provides a vast collection of digitized books and historical documents. In conclusion, E39 Manual Transmission Problems books and manuals for download have transformed the way we access information. They provide a cost-effective and convenient means of acquiring knowledge, offering the ability to access a vast library of resources at our fingertips. With platforms like Project Gutenberg, Open Library, and various digital libraries offered by educational institutions, we have access to an ever-expanding collection of books and manuals. Whether for educational, professional, or personal purposes, these digital resources serve as valuable tools for continuous learning and self-improvement. So why not take advantage of the vast world of E39 Manual Transmission Problems books and manuals for download and embark on your journey of knowledge?

FAQs About E39 Manual Transmission Problems Books

What is a E39 Manual Transmission Problems PDF? A PDF (Portable Document Format) is a file format developed by Adobe that preserves the layout and formatting of a document, regardless of the software, hardware, or operating system used to view or print it. **How do I create a E39 Manual Transmission Problems PDF?** There are several ways to create a PDF: Use software like Adobe Acrobat, Microsoft Word, or Google Docs, which often have built-in PDF creation tools. Print to PDF: Many applications and operating systems have a "Print to PDF" option that allows you to save a document as a PDF file instead of printing it on paper. Online converters: There are various online tools that can convert different file types to PDF. **How do I edit a E39 Manual Transmission Problems PDF?** Editing a PDF can be done with software like Adobe Acrobat,

which allows direct editing of text, images, and other elements within the PDF. Some free tools, like PDFescape or Smallpdf, also offer basic editing capabilities. **How do I convert a E39 Manual Transmission Problems PDF to another file format?** There are multiple ways to convert a PDF to another format: Use online converters like Smallpdf, Zamzar, or Adobe Acrobats export feature to convert PDFs to formats like Word, Excel, JPEG, etc. Software like Adobe Acrobat, Microsoft Word, or other PDF editors may have options to export or save PDFs in different formats. **How do I password-protect a E39 Manual Transmission Problems PDF?** Most PDF editing software allows you to add password protection. In Adobe Acrobat, for instance, you can go to "File" -> "Properties" -> "Security" to set a password to restrict access or editing capabilities. Are there any free alternatives to Adobe Acrobat for working with PDFs? Yes, there are many free alternatives for working with PDFs, such as: LibreOffice: Offers PDF editing features. PDFsam: Allows splitting, merging, and editing PDFs. Foxit Reader: Provides basic PDF viewing and editing capabilities. How do I compress a PDF file? You can use online tools like Smallpdf, ILovePDF, or desktop software like Adobe Acrobat to compress PDF files without significant quality loss. Compression reduces the file size, making it easier to share and download. Can I fill out forms in a PDF file? Yes, most PDF viewers/editors like Adobe Acrobat, Preview (on Mac), or various online tools allow you to fill out forms in PDF files by selecting text fields and entering information. Are there any restrictions when working with PDFs? Some PDFs might have restrictions set by their creator, such as password protection, editing restrictions, or print restrictions. Breaking these restrictions might require specific software or tools, which may or may not be legal depending on the circumstances and local laws.

Find E39 Manual Transmission Problems :

[nursing diagnosis labor and delivery](#)

novels by arthur hailey

occasion speech for pastor anniversary

[nursing calculation practice](#)

nyc metal detecting

[notary public study guide ny](#)

occupational therapy in acute care

nursing student clinical evaluation examples

[objectives for anger management](#)

[norse rune for wisdom](#)

oh holy night by david phelps

nj civil service police test

nursing interventions bipolar disorder

oatmeal psoriasis diet

nursing diagnosis for shock

E39 Manual Transmission Problems :