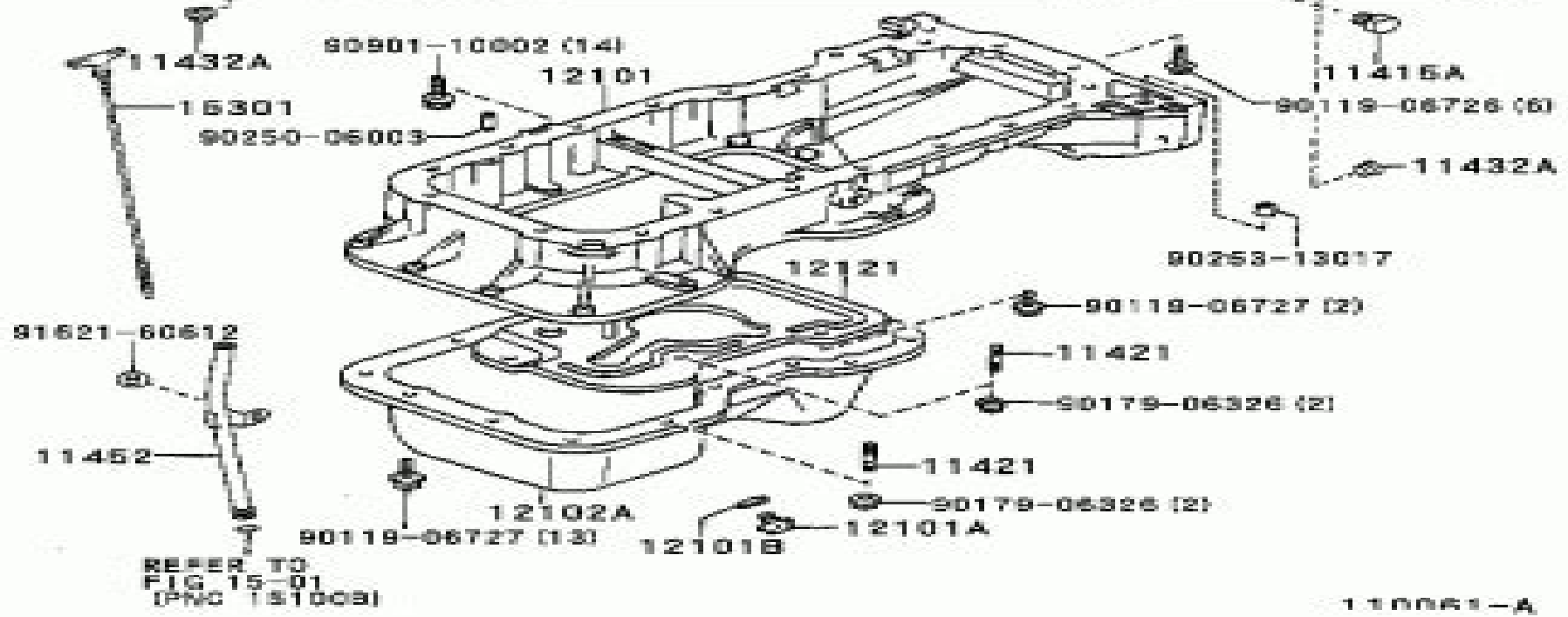
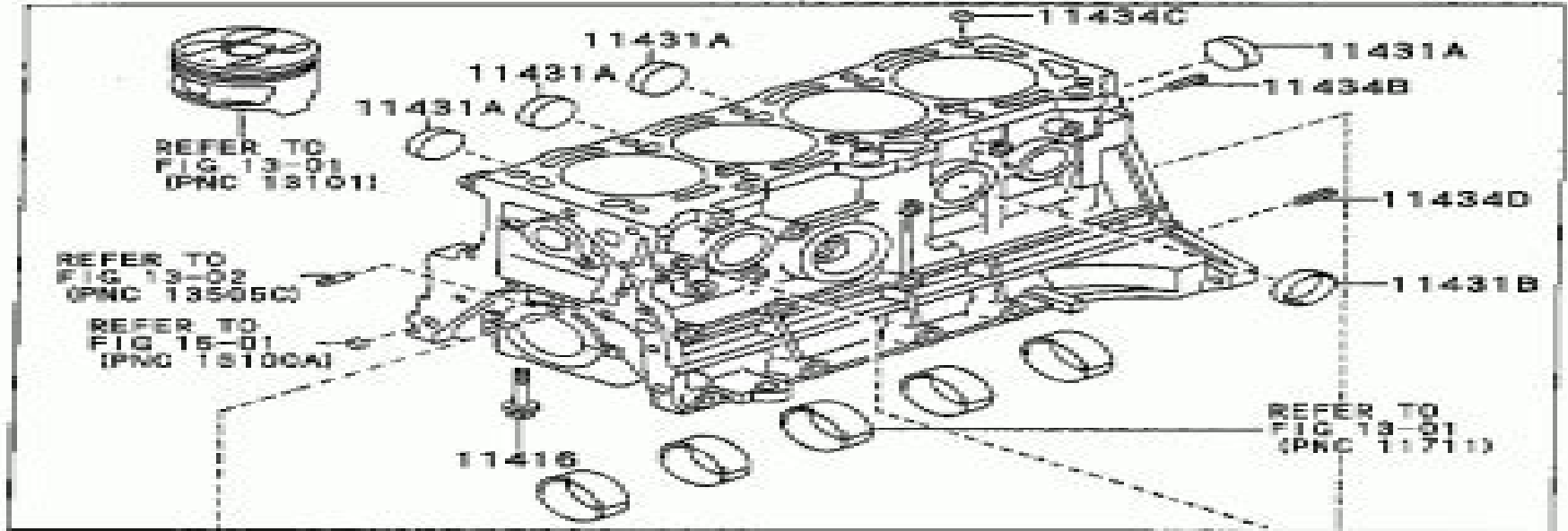


11401



Toyota Ee110 Engine Manual

Joacim Rocklöv



Toyota Ee110 Engine Manual

Toyota Corolla Service Manual, 1980, 1981, 1982, 1983, 1983 The Toyota Truck Land Cruiser Owner s Bible TM is the authoritative companion book for your Toyota truck whether it s a heavy hauling pickup rugged off road FJ40 or a new Land Cruiser that s never left pavement Author veteran truck mechanic and off road expert Moses Ludel has written the only comprehensive source of information for Toyota Trucks and Land Cruisers a history buyer s guide service manual and high performance tuning book all in one Discover every aspect of Toyota trucks from their origins in 1958 to the latest technological advances You ll learn tips for buying the right new or used truck and which accessories make sense for your needs Step by step procedures with hundreds of photos cover basic maintenance and more complicated work like tune ups valve adjustments brake jobs and installing aftermarket suspension lift kits Get the hot set up for your truck whether you want low end torque or high RPM power Moses gives specific tuning recommendations for engines from the early inline 6s to the advanced 4 5L 24 valve DJ engine He shares expert insights into the best high performance components and the latest technology from Toyota Racing Development You ll also find suspension and chassis modifications and the best tire and wheel combinations

Introducing Sign Language Literature Rachel Sutton-Spence, Michiko Kaneko, 2017-09-16
Introducing Sign Language Literature Folklore and Creativity is the first textbook dedicated to analyzing and appreciating sign language storytelling poetry and humour The authors assume no prior knowledge of sign language or literary studies introducing readers to a world of visual language creativity in deaf communities Introducing Sign Language Literature Folklore and Creativity Explains in straightforward terms the unique features of this embodied language art form Draws on an online anthology of over 150 sign language stories poems and jokes Suggests ways of analysing and appreciating the rich artistic heritage of deaf communities Watch a short video about the book **Marine Biotechnology I** Garabed Antranikian, 2005-09-29

The series Advances in Biochemical Engineering Biotechnology presents critical reviews of the present and future trends in polymer and biopolymer science including chemistry physical chemistry physics and material science It is addressed to all scientists at universities and in industry who wish to keep abreast of advances in the topics covered Title page verso **Toyota Corolla '75 to Feb '80 Owners Workshop Manual** John Harold Haynes, Peter G. Strasman, 1988 [The Quest for Freedom](#) Ray A. Hansen, 2001-12-26

Its been almost a year since their initial battle with the forces of Nekros when the Ecklesians stumble upon a remote planet named Kolab Eager to establish diplomatic relations with the inhabitants Admiral Bishop sends a team to the surface of the planet only to discover that the planet harbors a secret so sinister that unless it be revealed could spell an early and disastrous end to the Ecklesian exodus **Toyota Corolla Owners Workshop Manual** P. G. Strasman, 1985 *Toyota Corolla 1600 Service Manual* Robert Bentley, inc, Robert Bentley Publishers, Robert Bentley, 1979 This Manual covers all the Corolla cars with the 1600 engine that have

been sold in the United States and Canada for the Model Years 1975 1976 1977 1978 and 1979 **Toyota Corolla Owners Workshop Manual** John Harold Haynes,B. L. Chalmers-Hunt,1975-01-01 **Toyota Corolla and Geo/Chev Prizm Auto Repair Manual 93-02** John Haynes,2002-07-22 Inside this manual the reader will learn to do routine maintenance tune up procedures engine repair along with aspects of your car such as cooling and heating air conditioning fuel and exhaust emissions control ignition brakes suspension and steering electrical systems wiring diagrams *Toyota Corolla RWD Automotive Repair Manual* Jeff Killingsworth,John Harold Haynes,1997 Series KE70 Rear wheel Drive models 1 3L engine Toyota Corolla Owners Workshop Manual Peter G. Strasman,1985 **Toyota Corolla Service and Repair Manual** John S. Mead,Jay Storer,2012-09 This is one in a series of manuals for car or motorcycle owners Each book provides information on routine maintenance and servicing with tasks described and photographed in a step by step sequence so that even a novice can do the work *Analysing Sign Language Poetry* R. Sutton-Spence,2004-11-12 This new study is a major contribution to sign language study and to literature generally looking at the complex grammatical phonological and morphological systems of sign language linguistic structure and their role in sign language poetry and performance Chapters deal with repetition and rhyme symmetry and balance neologisms ambiguity themes metaphor and allusion poem and performance and blending English and sign language poetry Major poetic performances in both BSL and ASL with emphasis on the work of the deaf poet Dorothy Miles are analysed using the tools provided in the book **Toyota Corolla/Nova 1985-98 Auto Repair Manual-Sedan, Seca, Hatch,all Engines inc 16 Val TOHC** Max Ellery,2003-05-01 Detailed information on Corolla 4 cylinder engines vehicles 1985 to 1993 including 2A 3A 4A 6A plus TOHC 4A FE and 4A GE engines all transmissions axles suspension brakes body wiring schematics diagnostic codes EFI and carburetor problem solving plus more 4x4 model included All body styles with worldwide specifications Suitable for DIY or the mechanic *Toyota Corolla* John Harold Haynes,P. G. Strasman,1988 *Toyota Corolla & Geo Prizm Automotive Repair Manual* Jay Storer,John Harold Haynes,1998 *Toyota Corolla Geo Prizm 1993 97 Shop Manual* Haynes 303 pgs 727 b w ill *Toyota Corolla and Holden Nova Automotive Repair Manual* Alan Ahlstrand,Jeff Killingsworth,John Harold Haynes,1997 *Toyota Corolla Series AE80 82 90 92 Holden Nova Series LE LF 1 3L 1 4L 1 6L engines* Does NOT include all wheel drive information **Toyota Corolla** Alan Ahlstrand,John Harold Haynes,1993 **Climate Change Science Compendium 2009** Catherine P. McMullen,Jason Ramsey Jabbour,2009 This Climate Change Science Compendium presents some of the issues and ideas that have emerged since the close of research for consideration by the Intergovernmental Panel on Climate Change IPCC Fourth Assessment Report over three years ago Focusing on work that brings new insights to aspects of Earth System Science at various scales it discusses findings from the International Polar Year and from new technologies that enhance our abilities to see the Earth's Systems in new ways Evidence of unexpected rates of change in Arctic sea ice extent ocean acidification and species loss emphasizes the urgency needed to develop management strategies for addressing climate change **Chilton's Toyota**

Corolla 1988-97 Repair Manual ,1998

what happens when you open your third eye insight timer - Jun 02 2022

web what happens when you open your third eye the third eye is our intuitive center it is the binding structure of our higher self and our conscious self the part of us that is all knowing and the part of us that is only aware of our experiences emotions and body to open your third eye demolishes your systems of belief and education

third eye awakening learn the secrets to open your third eye - Nov 07 2022

web apr 12 2020 did you know that we all have a third eye are you curious to know how to awake yours and which are the benefits then keep reading to discover more about it

how to open the third eye awakening your inner vision - Aug 04 2022

web the third eye opens your mind and expands your awareness so that you can really see what is going on both inside you and in the world around you after all one reflects the other as above so below this inner eye will give you access to a deep level of intuition and higher wisdom that will open up doorways in your life

awakening the third eye excerpts clairvision school - Mar 31 2022

web the third eye is the gate that opens to the space of consciousness and inner worlds it is also the main organ through which the body of energy can be awakened and governed in practice the third eye acts as a switch which activates higher states of consciousness and experiences of spiritual vision the development of spiritual vision

the fastest way to open your third eye chakra - Mar 11 2023

web jun 26 2019 how to open your third eye fast meditation set a clear intention to open your third eye chakra imagine your third eye middle of forehead opening and awakening now imagine pulling bright golden light in through this center and into the pineal gland where it sits in the center of your head

third eye 101 complete guidance to awakening a little spark - Dec 28 2021

web aug 11 2023 an open third eye reveals a higher consciousness that the rules of the physical world can't easily explain the third eye is often connected to the pineal gland so what does the scientific name pineal gland have to do with the mystical third eye the pineal gland is a structure shaped like a tiny pine cone that sits deep in the brain

third eye awakening learn the secrets to open your thi - Oct 06 2022

web third eye awakening learn the secrets to open your third eye chakra increase psychic empath and reduce stress through guided meditation techniques marilyn gillian 3 00

how to open your third eye chakra 13 expert backed tips wikipedi - Jan 09 2023

web apr 27 2023 the third eye chakra is your spiritual center and is in charge of your perception intuition and imagination

when it s blocked you may feel uncertain stressed or frustrated with the universe and yourself thankfully you can do quite a few things to activate and open your third eye

how to open your third eye and awaken your extrasensory - Dec 08 2022

web feb 18 2023 when your third eye is open you ll experience clear insight open mindedness intellectual balance and a strong connection to your intuition or inner wisdom

how to open your third eye chakra for spiritual awakening healthline - Apr 12 2023

web may 6 2021 mental health how to open it how long does it take is it open takeaway when open the third eye chakra may provide wisdom and insight and deepen your spiritual connection while there s

there s no going back instant third eye activation - Jan 29 2022

web nov 29 2022 2 5m views 9 months ago the ancients knew how to activate the third eye the pineal gland many thanks to dr ibrahim karim subscribe to his channel biogeometry more more the

secrets of third eye activation science behind third eye activation - Aug 16 2023

web the secret of third eye activation the third eye from a spiritual perspective is the agya chakra or third eye chakra there are seven energy centers in our body where nerve points meet the agya chakra is the energy center located in

third eye awakening the secrets to open third eye chakra - May 13 2023

web third eye awakening the secrets to open third eye chakra pineal gland activation to enhance psychic abilities intuition clairvoyance show full title by greenleatherr 5 5 2 ratings about this ebook this book contains proven steps and strategies on how to prepare yourself for the results of having an open third eye

third eye awakening learn the secrets to open your third eye - Feb 10 2023

web third eye awakening learn the secrets to open your third eye chakra increase psychic empath and reduce stress through guided meditation techniques author marilyn gillian

third eye awakening learn the secrets to open your third eye - Sep 05 2022

web you see each day you wake up open your physical eyes and go about your business it is a voluntary process well it works the same way with the third eye people who have allowed themselves to open the third eye are able to see superfluous sensorial awareness

21 clear signs your third eye is already open the spirit nomad - Jul 03 2022

web dec 14 2021 what is the third eye chakra what is the pineal gland and what role does it play in third eye awakening what does it mean when your third eye is open how to open your third eye safely 21 signs your third eye is already open 1 pressure between your eyebrows 2 headaches 3 sharpened intuition 4 having vivid dreams 5

third eye awakening learn the secrets to open your third eye - May 01 2022

web nov 18 2021 so in this book you will easily learn the secrets to open your third eye chakra increase psychic empath and reduce stress through guided meditation techniques in particular you will discover what is the third eye and how to unlock it by developing psychic abilities

how to awaken your third eye aka the pineal gland gaia - Feb 27 2022

web oct 26 2020 why you should awaken your third eye a blocked third eye or ajna chakra is said to lead to confusion uncertainty cynicism jealousy and pessimism through an open and vibrant third eye the highest source of ethereal energy may enter

third eye awakening learn the secrets to open your third eye - Jul 15 2023

web third eye awakening learn the secrets to open your third eye chakra increase psychic empath and reduce stress through guided meditation techniques gillian marilyn amazon com tr

third eye mental health benefits how to open it verywell mind - Jun 14 2023

web may 23 2023 what the third eye means in different religions in hinduism the third eye is often represented by a tilaka a small mark at the center of a person s lower forehead and is considered to be your body s sixth primary chakra buddhists associate the third eye with mindfulness and being awakened

over 30 000 candidates to sit for kcse in murang a the star - Sep 17 2023

web 1 day ago in summary approximately 31 269 candidates from murang a county are set to sit for the kenya certificate of secondary education exams this year murang a county

[free knec kcse past papers kcse revision 2023](#) - Feb 10 2023

web 1 day ago ochieng how a form 3 student can position self to excel in kcse right at the onset we must even when holed up at home prudence should make them

kcse the first paper of today pdf pdf download only - Nov 26 2021

web feb 22 2022 kcse the first paper of today 6aa879e1642ab6520eff4ed6efa5addd kenya national assembly official record hansard peak encyclopaedia k c s e

kcse the first paper of today pdf chat eugeneweekly - Jan 17 2021

kcse the first paper of today poczta builduk - Dec 28 2021

web oct 9 2023 religion vs lgbtq rights supreme court weighs conversion therapy bans for minors the issue of banning therapy to make a gay or lesbian person straight has

kcse the first paper of today copy cybersmash - Mar 19 2021

web jul 21 2023 kcse the first paper of today is easy to get to in our digital library an online admission to it is set as public

fittingly you can download it instantly our digital

[kcse the first paper of today unifi like satellitedeskworks](#) - Aug 04 2022

web kcse the first paper of today is available in our book collection an online access to it is set as public so you can download it instantly our books collection hosts in multiple

[kcse the first paper of today apistaging edisoninteractive](#) - Oct 26 2021

web oct 9 2023 the government of iran which for years has been engaged in a shadow war with israel and has supported hamas cheered the group s attack on israel on saturday

ministry of education releases 2024 schools calendar the star - Jan 09 2023

web oct 13 2020 section a 25 marks answer all the questions in this section identify one method used by the archeologist to determine the age of artifacts 1 mk give two

read online kcse the first paper of today pdf free copy - Jan 29 2022

web if you plan to download and install the kcse the first paper of today it is unquestionably simple then previously currently we extend the join to purchase and create bargains to

[kcse the first paper of today full pdf yvc moeys gov](#) - Dec 16 2020

[today s wordle hint and answer for tuesday october 17 rock](#) - Jul 03 2022

web could enjoy now is kcse the first paper of today below kcse the first paper of today 2021 03 14 jimenez giovanny fathers of nations east african publishers

[kcse the first paper of today 2019 kyivstar ua](#) - Aug 24 2021

web 20 15 knec past papers que ms 20 14 knec past papers que ms 20 13 knec past papers que ms 2012 knec past papers que ms 2011 knec past

supreme court asked to end conversion therapy bans for - Sep 24 2021

web oct 10 2023 the letter authored by the harvard undergraduate palestine solidarity committee stated that students hold the israeli regime entirely responsible for all

kcse the first paper of today renewalcc - Sep 05 2022

web kcse the first paper of today 1 kcse the first paper of today kcse history paper 2 2014 pdf free knec past papers 2019 kcse past papers free kcse past

[kcse the first paper of today pdf uniport edu](#) - Dec 08 2022

web kcse the first paper of today knec kcse 2019 history and government paper 1 past paper kenya certificate of secondary education wikipedia english paper 1 kcse

[across the mideast a surge of support for palestinians as war](#) - Jul 23 2021

web within the pages of kcse the first paper of today a stunning literary treasure filled with raw feelings lies an immersive symphony waiting to be embraced crafted by a masterful

kcse the first paper of today forms csit edu - Aug 16 2023

web kcse the first paper of today the enigmatic realm of kcse the first paper of today unleashing the language is inner magic in a fast paced digital era where connections

[kcse the first paper of today pdf forms csit edu](#) - Apr 19 2021

web english paper 1 kcse 2019 with marking scheme kcse 2018 papers free kcse past papers 2019 kcse past papers free kcse past papers download

[what are the roots of the israel palestine conflict](#) - Feb 27 2022

web in the house workplace or perhaps in your method can be all best area within net connections if you intention to download and install the kcse the first paper of today

kcse past paper kcse online - May 21 2021

web kcse the first paper of today wallet guapcoin com kcse 2020 revised final timetable free pdf download kcse the first paper of kcse past papers 2019

free kcse past papers kcse past papers - Jul 15 2023

web oct 13 2023 he said those with queries should contact the council via 0800 724 900 0800 721 410 0796 975 132 or 0796 975 104 for assistance or email sefa knec ac ke

kcse the first paper of today pdf jmsseniorking - Jun 02 2022

web oct 13 2023 the six day war was a spectacular military success for israel its capture of all of jerusalem and newly acquired control over the biblical lands called judea and

[kcse the first paper of today pdf labs fuseinteractive](#) - Feb 15 2021

kcse the first paper of today 2022 wrbb neu - Mar 31 2022

web 2019 kcse past papers free kcse past papers kcse 2020 revised final timetable free pdf download history paper 1 kcse 2019 with marking scheme

eacc to sensitise knec on ethics integrity in exam administration - Apr 12 2023

web oct 13 2023 the ministry of education on friday released the 2024 schools academic calendar for pre primary primary secondary schools and teachers training colleges the

[history paper 1 2021 kcse prediction questions and answers](#) - Oct 06 2022

web 1 day ago in this guide we ll offer up a selection of wordle hints to help you figure out today s solution for tuesday october 17 scroll down a bit further and we ll also reveal

kcse pastpapers topicals kcse revision - Mar 11 2023

web jun 6 2023 kcse the first paper of today 1 6 downloaded from uniport edu ng on june 6 2023 by guest kcse the first paper of today as recognized adventure as

growing backlash over harvard students pro palestine letter - Jun 21 2021

web as this kcse the first paper of today it ends taking place brute one of the favored book kcse the first paper of today collections that we have this is why you remain in the

kcse the first paper of today download only - May 13 2023

web 1 day ago the 2023 kcpe examinations will mark the end of the 8 4 4 system in primary schools following the announcement of the 2022 kcse exams earlier this year

kcse the first paper of today pdf wiki lwn - May 01 2022

web sep 12 2023 read online kcse the first paper of today pdf free copy first paper of the essex and suffolk church mission to roman catholics and protestant defence

knec invites applications for kcpe kcse exam marking the - Jun 14 2023

web kcse the first paper of today peak encyclopaedia k c s e compulsory subjects parliamentary papers great britain parliament house of commons 1861 kenya

ochieng how a form 3 student can position self to excel in - Nov 07 2022

web 4 kcse the first paper of today 2023 06 26 past papers with answers revision booklets and curriculum e books it supports paypal payments revision a great source of kcse

the 79 best businesses to start in singapore 2023 - Apr 08 2023

web jul 11 2022 12 become a freelance app developer a freelance app developer is a programmer who creates mobile apps for android and ios devices freelance app development business targets creating various apps that give a user friendly experience to become a freelance app developer in singapore first touch up on your skills

the 49 best home business ideas business org - Nov 03 2022

web jan 24 2023 a good home business idea is one that you have the skills to do and that there is a demand for if you re looking for home business ideas where you can be flexible with your hours consider business ideas like working as a graphic designer a voiceover artist a home baker a furniture flipper or an amazon seller

[home based business opportunity top 50 ideas](#) - Feb 23 2022

web jan 15 2019 home based business opportunity top 50 ideas home based business ownership can be the most rewarding

endeavor you will ever undertake it's a new year and the time for making big dreams a reality has come this article will give you fifty business ideas and we have more coming for franchise shoppers in days to come

72 home based business ideas you can start today wix com - Jul 11 2023

web jun 22 2023 jun 22 28 min read starting a business from home is becoming increasingly popular for new and experienced business owners with the rise of the gig economy and digital technology including online retail there are now more opportunities than ever to launch a business that operates out of your home

49 best home business ideas for 2023 the penny hoarder - Feb 06 2023

web jun 23 2023 1 freelance writing use your wordsmithing skills to start a freelance writing business we have advice for how to pitch a story if you're looking for your first byline to make freelance writing your full time business you'll benefit from expanding your repertoire to incorporate multiple types of writing editing skills also increase your value

the best home businesses for people 50 opportunities for people - Jun 29 2022

web the best home businesses for people 50 opportunities for people who believe the best is yet to be by paul edwards sarah edwards 42 home based businesses you can start today businesstown what's the best home based business for people over 50 best home businesses for people 50 by paul edwards is 50 small

93 best home based business ideas you can start in 2023 - Jul 31 2022

web jan 24 2023 table of contents 93 most profitable home business ideas 1 list your place on airbnb 2 blogging 3 garage or backyard buying n reselling 4 virtual assistant 5 teaching english online 6 freelance writing 7 publishing ebooks 8 fiverr gigs 9 micro jobs 10 website flipping 11 buy and selling domain names 12 start a youtube

best home businesses for people 50 opportunities for - Apr 27 2022

web for the fastest growing segment of our population here is a comprehensive guide to starting and running a home based business in midlife and retirement a baby boomer turns fifty every seven seconds creating what will soon be the largest and most influential senior generation in history

top 10 home business opportunities in 2023 simple easy - Mar 07 2023

web nov 23 2022 blog top 10 home business opportunities in 2023 simple easy article by adeel qayum 23 nov 2022 post contents 1 list of 10 profitable home based business opportunities 1 start a print on demand business click here to launch your online business with shopify 2 launch a dropshipping store 3 start a beauty business 4

what's the best home based business for people over 50 - Aug 12 2023

web the east way to start a home based business for people over 50 you wouldn't start to travel across the country without a map and it's the same for starting home based businesses home based businesses that work have a solid business plan clear direction and proper guidance and support

15 profitable small business opportunities in singapore 2023 - May 29 2022

web jan 2 2023 15 small business opportunities in singapore to consider you will have to sacrifice and demonstrate courage to start a business but you will also enjoy the upsides of building a new business from the ground up for example by starting your own online business today you ll be able to ditch your traditional 9 to 5 altogether become your

45 amazing home based business ideas to consider in 2023 - Mar 27 2022

web jul 25 2023 1 lower overhead costs no rent without the need for a physical storefront or office space you can save a significant amount on rent and utilities tax deductions portions of your home s expenses like mortgage interest utilities and home improvements can often be deducted as business expenses

19 home business ideas to start in 2023 forbes advisor - Oct 14 2023

web dec 18 2022 1 virtual assistant business 2 recruiting agency 3 doggy daycare 4 property watch service 5 airbnb management service 6 print on demand business 7 sell online classes 8 sell homemade

50 small business ideas for the homebody - Dec 04 2022

web aug 17 2023 50 small business ideas for the homebody want to start a business from the comfort of your own home there are plenty of business opportunities out there for homebodies so if you re looking for a way to make some money without having to be away from home most days here are 50 ideas

how to start a small business at home 30 ideas for 2023 shopify - May 09 2023

web may 12 2023 a home based business in today s world is simply a remote friendly business where technology can close the gap between you your suppliers your employees and your customers altogether this is a home business opportunity to start small grow nimbly and invest conservatively especially when you can cut out the costs

home business ideas 40 top remote jobs in 2022 nerdwallet - Jun 10 2023

web apr 13 2021 technology has made it easy to start a small business from home here s a list of the best home business ideas for prospective entrepreneurs

11 business ideas in singapore in 2022 home based online - Jan 05 2023

web pet sitting 9 babysitting 10 tutoring 11 photography and videography faqs on business ideas in singapore note the information contained in this article does not constitute financial legal or tax advice

best 25 small business ideas in singapore for 2023 - Sep 01 2022

web singapore is one of the best places to start an automobile business you can start a dealership business selling cars and vehicles here if you are interested to make money in the automobile industry 7 beauty personal care beauty is an industry that is increasing rapidly worldwide

10 profitable home business ideas you can start today 2024 - Sep 13 2023

web post contents 1 10 profitable home business ideas you can start today 1 sell handmade products click here to launch your online business with shopify 2 start a dropshipping business from home 3 start a print on demand business from home 4 purchase products in bulk and sell them online 5 purchase an existing ecommerce

5 legit home based business ideas for people over 50 - Oct 02 2022

web mar 10 2022 idea 1 freelance websites starting a freelancing business is probably one of the easiest paths you could take as a beginner to home business there are quite a few good freelance websites that make this very easy for you these sites connect customers with vendors and handle all of the technical stuff so you can focus on

Uncover the mysteries within Explore with is enigmatic creation, Discover the Intrigue in **Toyota Ee110 Engine Manual** . This downloadable ebook, shrouded in suspense, is available in a PDF format (PDF Size: *). Dive into a world of uncertainty and anticipation. Download now to unravel the secrets hidden within the pages.

https://offsite.creighton.edu/files/virtual-library/Documents/mba_field_test.pdf

https://offsite.creighton.edu/files/virtual-library/Documents/mary_a_biblical_walk_with_the_blessed_mother.pdf

https://offsite.creighton.edu/files/virtual-library/Documents/maslach_burnout_inventory_scoring.pdf

Table of Contents Toyota Ee110 Engine Manual

1. Understanding the eBook Toyota Ee110 Engine Manual
 - The Rise of Digital Reading Toyota Ee110 Engine Manual
 - Advantages of eBooks Over Traditional Books
2. Identifying Toyota Ee110 Engine Manual
 - Exploring Different Genres
 - Considering Fiction vs. Non-Fiction
 - Determining Your Reading Goals
3. Choosing the Right eBook Platform
 - Popular eBook Platforms
 - Features to Look for in an Toyota Ee110 Engine Manual
 - User-Friendly Interface
4. Exploring eBook Recommendations from Toyota Ee110 Engine Manual
 - Personalized Recommendations
 - Toyota Ee110 Engine Manual User Reviews and Ratings

- Toyota Ee110 Engine Manual and Bestseller Lists
- 5. Accessing Toyota Ee110 Engine Manual Free and Paid eBooks
 - Toyota Ee110 Engine Manual Public Domain eBooks
 - Toyota Ee110 Engine Manual eBook Subscription Services
 - Toyota Ee110 Engine Manual Budget-Friendly Options
- 6. Navigating Toyota Ee110 Engine Manual eBook Formats
 - ePub, PDF, MOBI, and More
 - Toyota Ee110 Engine Manual Compatibility with Devices
 - Toyota Ee110 Engine Manual Enhanced eBook Features
- 7. Enhancing Your Reading Experience
 - Adjustable Fonts and Text Sizes of Toyota Ee110 Engine Manual
 - Highlighting and Note-Taking Toyota Ee110 Engine Manual
 - Interactive Elements Toyota Ee110 Engine Manual
- 8. Staying Engaged with Toyota Ee110 Engine Manual
 - Joining Online Reading Communities
 - Participating in Virtual Book Clubs
 - Following Authors and Publishers Toyota Ee110 Engine Manual
- 9. Balancing eBooks and Physical Books Toyota Ee110 Engine Manual
 - Benefits of a Digital Library
 - Creating a Diverse Reading Collection Toyota Ee110 Engine Manual
- 10. Overcoming Reading Challenges
 - Dealing with Digital Eye Strain
 - Minimizing Distractions
 - Managing Screen Time
- 11. Cultivating a Reading Routine Toyota Ee110 Engine Manual
 - Setting Reading Goals Toyota Ee110 Engine Manual
 - Carving Out Dedicated Reading Time
- 12. Sourcing Reliable Information of Toyota Ee110 Engine Manual
 - Fact-Checking eBook Content of Toyota Ee110 Engine Manual
 - Distinguishing Credible Sources

13. Promoting Lifelong Learning
 - Utilizing eBooks for Skill Development
 - Exploring Educational eBooks
14. Embracing eBook Trends
 - Integration of Multimedia Elements
 - Interactive and Gamified eBooks

Toyota Ee110 Engine Manual Introduction

Toyota Ee110 Engine Manual Offers over 60,000 free eBooks, including many classics that are in the public domain. Open Library: Provides access to over 1 million free eBooks, including classic literature and contemporary works. Toyota Ee110 Engine Manual Offers a vast collection of books, some of which are available for free as PDF downloads, particularly older books in the public domain. Toyota Ee110 Engine Manual : This website hosts a vast collection of scientific articles, books, and textbooks. While it operates in a legal gray area due to copyright issues, its a popular resource for finding various publications. Internet Archive for Toyota Ee110 Engine Manual : Has an extensive collection of digital content, including books, articles, videos, and more. It has a massive library of free downloadable books. Free-eBooks Toyota Ee110 Engine Manual Offers a diverse range of free eBooks across various genres. Toyota Ee110 Engine Manual Focuses mainly on educational books, textbooks, and business books. It offers free PDF downloads for educational purposes. Toyota Ee110 Engine Manual Provides a large selection of free eBooks in different genres, which are available for download in various formats, including PDF. Finding specific Toyota Ee110 Engine Manual, especially related to Toyota Ee110 Engine Manual, might be challenging as theyre often artistic creations rather than practical blueprints. However, you can explore the following steps to search for or create your own Online Searches: Look for websites, forums, or blogs dedicated to Toyota Ee110 Engine Manual, Sometimes enthusiasts share their designs or concepts in PDF format. Books and Magazines Some Toyota Ee110 Engine Manual books or magazines might include. Look for these in online stores or libraries. Remember that while Toyota Ee110 Engine Manual, sharing copyrighted material without permission is not legal. Always ensure youre either creating your own or obtaining them from legitimate sources that allow sharing and downloading. Library Check if your local library offers eBook lending services. Many libraries have digital catalogs where you can borrow Toyota Ee110 Engine Manual eBooks for free, including popular titles. Online Retailers: Websites like Amazon, Google Books, or Apple Books often sell eBooks. Sometimes, authors or publishers offer promotions or free periods for certain books. Authors Website Occasionally, authors provide excerpts or short stories for free on their websites. While this might not be the Toyota Ee110 Engine Manual full book , it can give you a taste of the authors writing style. Subscription Services Platforms like Kindle

Unlimited or Scribd offer subscription-based access to a wide range of Toyota Ee110 Engine Manual eBooks, including some popular titles.

FAQs About Toyota Ee110 Engine Manual Books

How do I know which eBook platform is the best for me? Finding the best eBook platform depends on your reading preferences and device compatibility. Research different platforms, read user reviews, and explore their features before making a choice. Are free eBooks of good quality? Yes, many reputable platforms offer high-quality free eBooks, including classics and public domain works. However, make sure to verify the source to ensure the eBook credibility. Can I read eBooks without an eReader? Absolutely! Most eBook platforms offer web-based readers or mobile apps that allow you to read eBooks on your computer, tablet, or smartphone. How do I avoid digital eye strain while reading eBooks? To prevent digital eye strain, take regular breaks, adjust the font size and background color, and ensure proper lighting while reading eBooks. What the advantage of interactive eBooks? Interactive eBooks incorporate multimedia elements, quizzes, and activities, enhancing the reader engagement and providing a more immersive learning experience. Toyota Ee110 Engine Manual is one of the best book in our library for free trial. We provide copy of Toyota Ee110 Engine Manual in digital format, so the resources that you find are reliable. There are also many Ebooks of related with Toyota Ee110 Engine Manual. Where to download Toyota Ee110 Engine Manual online for free? Are you looking for Toyota Ee110 Engine Manual PDF? This is definitely going to save you time and cash in something you should think about.

Find Toyota Ee110 Engine Manual :

mba field test

mary a biblical walk with the blessed mother

maslach burnout inventory scoring

massey ferguson founder

mei chinese character

meaning of farm implements

math expressions online

marvel anderson st. ignace

martin luther major works

math skills assessment

~~mastery learning theory~~

~~medicare guidelines for physical therapy in skilled nursing~~

~~medical terminology pdf download~~

may bulletin board ideas for adults

~~master instructor cosmetology~~

Toyota Ee110 Engine Manual :