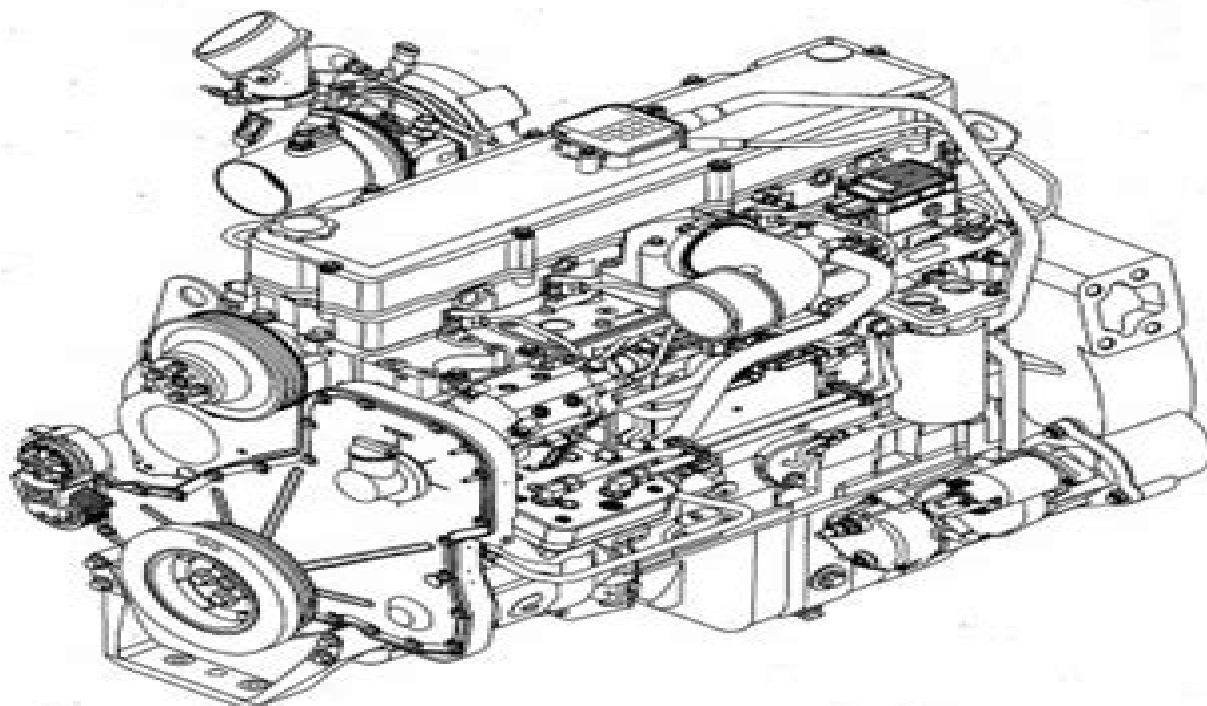




Troubleshooting and Repair Manual ISC, ISC[®], QSC8.3, ISL and QSL9 Engines

Open front screen



Copyright© 2003
Cummins Inc.
All rights reserved

Bulletin 4021-418-00
Printed 12/03

L99 Engine Free Repair Manual

GM Corporation



L99 Engine Free Repair Manual

Repair Manual Ford Motor Company. Service Department,1947

1925 - 1926 Chevrolet Car, Pickup, & Truck Repair Shop Manual GM Corporation,2020-05-10 This 1925 1926 Chevrolet Car Pickup Truck Repair Shop Manual is a high quality licensed PRINT reproduction of the service manual authored by General Motors Corporation and published by Detroit Iron This OEM factory manual is 8 5 x 11 inches paperback bound shrink wrapped and contains 152 pages of comprehensive mechanical instructions with detailed diagrams photos and specifications for the mechanical components of your vehicle such as the engine transmission suspension brakes fuel exhaust steering electrical and drive line Service repair manuals were originally written by the automotive manufacturer to be used by their dealership mechanics The following 1925 1926 Chevrolet models are covered Superior Superior Truck This factory written Detroit Iron shop manual is perfect for the restorer or anyone working on one of these vehicles

Snowmobile Service Manual Intertec Publishing Corporation. Technical Publications Division,1971

1986 Chevy LD Truck Unit Repair Manual GM Corporation,2020-05-10 This 1986 Chevy LD Truck Unit Repair Manual is a high quality licensed PRINT reproduction of the service manual authored by General Motors Corporation and published by Detroit Iron This OEM factory manual is 8 5 x 11 inches paperback bound shrink wrapped and contains 832 pages of comprehensive mechanical instructions with detailed diagrams photos and specifications for the mechanical components of your vehicle such as the engine transmission suspension brakes fuel exhaust steering electrical and drive line Service repair manuals were originally written by the automotive manufacturer to be used by their dealership mechanics The following 1986 Chevrolet models are covered C10 C10 Suburban C20 C20 Suburban C30 K10 K10 Suburban K20 K20 Suburban K30 K5 Blazer Astro G10 G20 G30 P20 P30 S10 S10 Blazer This factory written Detroit Iron shop manual is perfect for the restorer or anyone working on one of these vehicles

Chevrolet Engine Service Manual for 'C and E' Series Bedford ,197?

1993 Chevrolet Light Duty Truck Fuel & Emissions Service Manual GM Corporation,2020-05-10 This 1993 Chevrolet Light Duty Truck Fuel Emissions Service Manual is a high quality licensed PRINT reproduction of the service manual authored by General Motors Corporation and published by Detroit Iron This OEM factory manual is 8 5 x 11 inches paperback bound shrink wrapped and contains 872 pages of comprehensive mechanical instructions with detailed diagrams photos and specifications for the mechanical components of your vehicle such as the engine transmission suspension brakes fuel exhaust steering electrical and drive line Service repair manuals were originally written by the automotive manufacturer to be used by their dealership mechanics The following 1993 Chevrolet models are covered Blazer C1500 C1500 Suburban C2500 C2500 Suburban C3500 K1500 K1500 Suburban K2500 K2500 Suburban K3500 S10 S10 Blazer Astro G10 G20 G30 P30 This factory written Detroit Iron shop manual is perfect for the restorer or anyone working on one of these vehicles

1931 Chevrolet Car & Truck Repair Shop Manual GM Corporation,2020-05-10 This 1931 Chevrolet Car Truck Repair Shop Manual is a high quality licensed PRINT reproduction of the service manual authored by General Motors Corporation and published by Detroit Iron This OEM factory manual is 8 5 x 11 inches paperback bound shrink wrapped and contains 280 pages of comprehensive mechanical instructions with detailed diagrams photos and specifications for the mechanical components of your vehicle such as the engine transmission suspension brakes fuel exhaust steering electrical and drive line Service repair manuals were originally written by the automotive manufacturer to be used by their dealership mechanics The following 1931 Chevrolet models are covered AE Independence Truck This factory written Detroit Iron shop manual is perfect for the restorer or anyone working on one of these vehicles

Motor's Auto Repair Manual ,1963

1981 Chevrolet Car & Truck Unit Repair Manual GM Corporation,2020-05-10 This 1981 Chevrolet Car Truck Unit Repair Manual is a high quality licensed PRINT reproduction of the service manual authored by General Motors Corporation and published by Detroit Iron This OEM factory manual is 8 5 x 11 inches paperback bound shrink wrapped and contains 546 pages of comprehensive mechanical instructions with detailed diagrams photos and specifications for the mechanical components of your vehicle such as the engine transmission suspension brakes fuel exhaust steering electrical and drive line Service repair manuals were originally written by the automotive manufacturer to be used by their dealership mechanics The following 1981 Chevrolet models are covered Bel Air Camaro Caprice Impala Malibu Monte Carlo El Camino C10 C10 Suburban C20 C20 Suburban C30 G10 G20 G30 K10 K10 Suburban K20 K20 Suburban K5 Blazer P20 P30 K30 This factory written Detroit Iron shop manual is perfect for the restorer or anyone working on one of these vehicles

1938 Chevrolet Car and Truck Shop Manual GM Corporation,2020-05-10 This 1938 Chevrolet Car and Truck Shop Manual is a high quality licensed PRINT reproduction of the service manual authored by General Motors Corporation and published by Detroit Iron This OEM factory manual is 8 5 x 11 inches paperback bound shrink wrapped and contains 276 pages of comprehensive mechanical instructions with detailed diagrams photos and specifications for the mechanical components of your vehicle such as the engine transmission suspension brakes fuel exhaust steering electrical and drive line Service repair manuals were originally written by the automotive manufacturer to be used by their dealership mechanics The following 1938 Chevrolet models are covered HC HD HE Master Master Deluxe Master Truck This factory written Detroit Iron shop manual is perfect for the restorer or anyone working on one of these vehicles

1934 Chevrolet Shop Manual - Master & Standard GM Corporation,2020-05-10 This 1934 Chevrolet Shop Manual Master Standard is a high quality licensed PRINT reproduction of the service manual authored by General Motors Corporation and published by Detroit Iron This OEM factory manual is 8 5 x 11 inches paperback bound shrink wrapped and contains 164 pages of comprehensive mechanical instructions with detailed diagrams photos and specifications for the mechanical components of your vehicle such as the engine transmission suspension brakes fuel exhaust steering electrical and drive line Service repair manuals were originally written by the automotive manufacturer to be used by their dealership mechanics The following 1934 Chevrolet models are covered DB Master Standard This factory written Detroit Iron shop manual is perfect for the restorer or anyone working on one of these vehicles

1927 - 1928 Chevrolet Car & Truck Repair Shop Manual GM Corporation,2020-05-10 This 1927 1928 Chevrolet Car Truck Repair Shop Manual is a high quality licensed PRINT reproduction of the service manual authored by General Motors Corporation and published by Detroit Iron This OEM factory manual is 8 5 x 11 inches paperback bound shrink wrapped and contains 272 pages of comprehensive mechanical instructions with detailed diagrams photos and specifications for the mechanical components of your vehicle such as the engine transmission suspension brakes fuel exhaust steering electrical and drive line Service repair manuals were originally written by the automotive manufacturer to be used by their dealership mechanics The following 1927 1928 Chevrolet models are covered Capitol National Capitol Truck National Truck This factory written Detroit Iron shop manual is perfect for the restorer or anyone working on one of these vehicles

1973 Chevrolet Light Duty Truck Service Manual GM Corporation,2020-05-10 This 1973 Chevrolet Light Duty Truck Service Manual is a high quality licensed PRINT reproduction of the service manual authored by General Motors Corporation and published by Detroit Iron This OEM factory manual is 8 5 x 11 inches paperback bound shrink wrapped and contains 976 pages of comprehensive mechanical instructions with detailed diagrams photos and specifications for the mechanical components of your vehicle such as the engine transmission suspension brakes fuel exhaust steering electrical and drive line Service repair manuals were originally written by the automotive manufacturer to be used by their dealership mechanics The following 1973 Chevrolet models are covered Blazer C10 Pickup C10 Suburban C20 Pickup C20 Suburban C30 Pickup G10 Van G20 Van G30 Van K10 Pickup K10 Suburban K20 Pickup K20 Suburban K30 Pickup Luv Pickup P10 Van P20 Van P30 Van This factory written Detroit Iron shop manual is perfect for the restorer or anyone working on one of these vehicles

1981 Chevrolet Light Duty Truck Service Manual GM Corporation,2020-05-10 This 1981 Chevrolet Light Duty Truck Service Manual is a high quality licensed PRINT reproduction of the service manual authored by General Motors Corporation and published by Detroit Iron This OEM factory manual is 8 5 x 11 inches paperback bound shrink wrapped and contains 1162 pages of comprehensive mechanical instructions with detailed diagrams photos and specifications for the mechanical components of your vehicle such as the engine transmission suspension brakes fuel exhaust steering electrical and drive line Service repair manuals were originally written by the automotive manufacturer to be used by their dealership mechanics The following 1981 Chevrolet models are covered C10 C10 Suburban C20 C20 Suburban C30 G10 G20 G30 K10 K10 Suburban K20 K20 Suburban K5 Blazer P20 P30 K30 This factory written Detroit Iron shop manual is perfect for the restorer or anyone working on one of these vehicles

1974 Chevrolet Light Duty Truck Service Manual GM Corporation,2020-05-10 This 1974 Chevrolet Light Duty Truck Service Manual is a high quality licensed PRINT reproduction of the service manual authored by General Motors Corporation and published by Detroit Iron This OEM factory manual is 8 5 x 11 inches paperback bound shrink wrapped and contains 978 pages of comprehensive mechanical instructions with detailed diagrams photos and specifications for the mechanical components of your vehicle such as the engine transmission suspension brakes fuel exhaust steering electrical and drive line Service repair manuals were originally written by the automotive manufacturer to be used by their dealership mechanics The following 1974 Chevrolet models are covered Blazer C10 Pickup C10 Suburban C20 Pickup C20 Suburban C30 Pickup G10 Van G20 Van G30 Van K10 Pickup K10 Suburban K20 Pickup K20 Suburban K30 Pickup P10 Van P20 Van P30 Van This factory written Detroit Iron shop manual is perfect for the restorer or anyone working on one of these vehicles

Engine Repair Manual Atlantis Diesel Engines (Firm),1987*

1937 Chevrolet Car & Truck Shop Manual GM Corporation,2020-05-10 This 1937 Chevrolet Car Truck Shop Manual is a high quality licensed PRINT reproduction of the service manual authored by General Motors Corporation and published by Detroit Iron This OEM factory manual is 8 5 x 11 inches paperback bound shrink wrapped and contains 224 pages of comprehensive mechanical instructions with detailed diagrams photos and specifications for the mechanical components of your vehicle such as the engine transmission suspension brakes fuel exhaust steering electrical and drive line Service repair manuals were originally written by the automotive manufacturer to be used by their dealership mechanics The following 1937 Chevrolet models are covered GC GD GE Master Deluxe Master Truck Master Deluxe Truck Master Truck This factory written Detroit Iron shop manual is perfect for the restorer or anyone working on one of these vehicles

1933 Chevrolet Shop Manual GM Corporation,2020-05-10 This 1933 Chevrolet Shop Manual is a high quality licensed PRINT reproduction of the service manual authored by General Motors Corporation and published by Detroit Iron This OEM factory manual is 8 5 x 11 inches paperback bound shrink wrapped and contains 292 pages of comprehensive mechanical instructions with detailed diagrams photos and specifications for the mechanical components of your vehicle such as the engine transmission suspension brakes fuel exhaust steering electrical and drive line Service repair manuals were originally written by the automotive manufacturer to be used by their dealership mechanics The following 1933 Chevrolet models are covered Eagle Mercury Eagle CB This factory written Detroit Iron shop manual is perfect for the restorer or anyone working on one of these vehicles

1941 Chevrolet Shop Manual GM Corporation,2020-05-10 This 1941 Chevrolet Shop Manual is a high quality licensed PRINT reproduction of the service manual authored by General Motors Corporation and published by Detroit Iron This OEM factory manual is 8 5 x 11 inches paperback bound shrink wrapped and contains 292 pages of comprehensive mechanical instructions with detailed diagrams photos and specifications for the mechanical components of your vehicle such as the engine transmission suspension brakes fuel exhaust steering electrical and drive line Service repair manuals were originally written by the automotive manufacturer to be used by their dealership mechanics The following 1941 Chevrolet models are covered AJ AK AL AM AN Fleetline Fleetmaster Special Deluxe YR This factory written Detroit Iron shop manual is perfect for the restorer or anyone working on one of these vehicles

1935 - 1936 Chevrolet Shop Manual (includes 1936 Supplement) GM Corporation,2020-05-10 This 1935 1936 Chevrolet Shop Manual includes 1936 supplement is a high quality licensed PRINT reproduction of the service manual authored by General Motors Corporation and published by Detroit Iron This OEM factory manual is 8 5 x 11 inches paperback bound shrink wrapped and contains 212 pages of comprehensive mechanical instructions with detailed diagrams photos and specifications for the mechanical components of your vehicle such as the engine transmission suspension brakes fuel exhaust steering electrical and drive line Service repair manuals were originally written by the automotive manufacturer to be used by their dealership mechanics The following 1935 1936 Chevrolet models are covered Master Deluxe Truck Master Standard Standard Truck Truck Pickup This factory written Detroit Iron shop manual is perfect for the restorer or anyone working on one of these vehicles

This is likewise one of the factors by obtaining the soft documents of this **L99 Engine Free Repair Manual** by online. You might not require more times to spend to go to the ebook establishment as capably as search for them. In some cases, you likewise realize not discover the revelation L99 Engine Free Repair Manual that you are looking for. It will unconditionally squander the time.

However below, later you visit this web page, it will be consequently definitely simple to get as without difficulty as download lead L99 Engine Free Repair Manual

It will not understand many time as we explain before. You can reach it even though play a part something else at house and even in your workplace. suitably easy! So, are you question? Just exercise just what we manage to pay for under as skillfully as evaluation **L99 Engine Free Repair Manual** what you behind to read!

<https://offsite.creighton.edu/data/browse/HomePages/map%20of%2050%20states%20without%20names.pdf>

<https://offsite.creighton.edu/data/browse/HomePages/Marriage%20Retreat%20Washington%20State.pdf>

<https://offsite.creighton.edu/data/browse/HomePages/Marieke%20Nijkamp%20Books.pdf>

Table of Contents L99 Engine Free Repair Manual

1. Understanding the eBook L99 Engine Free Repair Manual
 - The Rise of Digital Reading L99 Engine Free Repair Manual
 - Advantages of eBooks Over Traditional Books
2. Identifying L99 Engine Free Repair Manual
 - Exploring Different Genres
 - Considering Fiction vs. Non-Fiction
 - Determining Your Reading Goals
3. Choosing the Right eBook Platform
 - Popular eBook Platforms
 - Features to Look for in an L99 Engine Free Repair Manual
 - User-Friendly Interface
4. Exploring eBook Recommendations from L99 Engine Free Repair Manual

- Personalized Recommendations
 - L99 Engine Free Repair Manual User Reviews and Ratings
 - L99 Engine Free Repair Manual and Bestseller Lists
5. Accessing L99 Engine Free Repair Manual Free and Paid eBooks
 - L99 Engine Free Repair Manual Public Domain eBooks
 - L99 Engine Free Repair Manual eBook Subscription Services
 - L99 Engine Free Repair Manual Budget-Friendly Options
 6. Navigating L99 Engine Free Repair Manual eBook Formats
 - ePub, PDF, MOBI, and More
 - L99 Engine Free Repair Manual Compatibility with Devices
 - L99 Engine Free Repair Manual Enhanced eBook Features
 7. Enhancing Your Reading Experience
 - Adjustable Fonts and Text Sizes of L99 Engine Free Repair Manual
 - Highlighting and Note-Taking L99 Engine Free Repair Manual
 - Interactive Elements L99 Engine Free Repair Manual
 8. Staying Engaged with L99 Engine Free Repair Manual
 - Joining Online Reading Communities
 - Participating in Virtual Book Clubs
 - Following Authors and Publishers L99 Engine Free Repair Manual
 9. Balancing eBooks and Physical Books L99 Engine Free Repair Manual
 - Benefits of a Digital Library
 - Creating a Diverse Reading Collection L99 Engine Free Repair Manual
 10. Overcoming Reading Challenges
 - Dealing with Digital Eye Strain
 - Minimizing Distractions
 - Managing Screen Time
 11. Cultivating a Reading Routine L99 Engine Free Repair Manual
 - Setting Reading Goals L99 Engine Free Repair Manual
 - Carving Out Dedicated Reading Time
 12. Sourcing Reliable Information of L99 Engine Free Repair Manual

- Fact-Checking eBook Content of L99 Engine Free Repair Manual
 - Distinguishing Credible Sources
13. Promoting Lifelong Learning
- Utilizing eBooks for Skill Development
 - Exploring Educational eBooks
14. Embracing eBook Trends
- Integration of Multimedia Elements
 - Interactive and Gamified eBooks

L99 Engine Free Repair Manual Introduction

In this digital age, the convenience of accessing information at our fingertips has become a necessity. Whether its research papers, eBooks, or user manuals, PDF files have become the preferred format for sharing and reading documents. However, the cost associated with purchasing PDF files can sometimes be a barrier for many individuals and organizations. Thankfully, there are numerous websites and platforms that allow users to download free PDF files legally. In this article, we will explore some of the best platforms to download free PDFs. One of the most popular platforms to download free PDF files is Project Gutenberg. This online library offers over 60,000 free eBooks that are in the public domain. From classic literature to historical documents, Project Gutenberg provides a wide range of PDF files that can be downloaded and enjoyed on various devices. The website is user-friendly and allows users to search for specific titles or browse through different categories. Another reliable platform for downloading L99 Engine Free Repair Manual free PDF files is Open Library. With its vast collection of over 1 million eBooks, Open Library has something for every reader. The website offers a seamless experience by providing options to borrow or download PDF files. Users simply need to create a free account to access this treasure trove of knowledge. Open Library also allows users to contribute by uploading and sharing their own PDF files, making it a collaborative platform for book enthusiasts. For those interested in academic resources, there are websites dedicated to providing free PDFs of research papers and scientific articles. One such website is Academia.edu, which allows researchers and scholars to share their work with a global audience. Users can download PDF files of research papers, theses, and dissertations covering a wide range of subjects. Academia.edu also provides a platform for discussions and networking within the academic community. When it comes to downloading L99 Engine Free Repair Manual free PDF files of magazines, brochures, and catalogs, Issuu is a popular choice. This digital publishing platform hosts a vast collection of publications from around the world. Users can search for specific titles or explore various categories and genres. Issuu offers a seamless reading experience with its user-friendly interface and allows users to download PDF files for offline reading. Apart from

dedicated platforms, search engines also play a crucial role in finding free PDF files. Google, for instance, has an advanced search feature that allows users to filter results by file type. By specifying the file type as "PDF," users can find websites that offer free PDF downloads on a specific topic. While downloading L99 Engine Free Repair Manual free PDF files is convenient, its important to note that copyright laws must be respected. Always ensure that the PDF files you download are legally available for free. Many authors and publishers voluntarily provide free PDF versions of their work, but its essential to be cautious and verify the authenticity of the source before downloading L99 Engine Free Repair Manual. In conclusion, the internet offers numerous platforms and websites that allow users to download free PDF files legally. Whether its classic literature, research papers, or magazines, there is something for everyone. The platforms mentioned in this article, such as Project Gutenberg, Open Library, Academia.edu, and Issuu, provide access to a vast collection of PDF files. However, users should always be cautious and verify the legality of the source before downloading L99 Engine Free Repair Manual any PDF files. With these platforms, the world of PDF downloads is just a click away.

FAQs About L99 Engine Free Repair Manual Books

How do I know which eBook platform is the best for me? Finding the best eBook platform depends on your reading preferences and device compatibility. Research different platforms, read user reviews, and explore their features before making a choice. Are free eBooks of good quality? Yes, many reputable platforms offer high-quality free eBooks, including classics and public domain works. However, make sure to verify the source to ensure the eBook credibility. Can I read eBooks without an eReader? Absolutely! Most eBook platforms offer web-based readers or mobile apps that allow you to read eBooks on your computer, tablet, or smartphone. How do I avoid digital eye strain while reading eBooks? To prevent digital eye strain, take regular breaks, adjust the font size and background color, and ensure proper lighting while reading eBooks. What the advantage of interactive eBooks? Interactive eBooks incorporate multimedia elements, quizzes, and activities, enhancing the reader engagement and providing a more immersive learning experience. L99 Engine Free Repair Manual is one of the best book in our library for free trial. We provide copy of L99 Engine Free Repair Manual in digital format, so the resources that you find are reliable. There are also many Ebooks of related with L99 Engine Free Repair Manual. Where to download L99 Engine Free Repair Manual online for free? Are you looking for L99 Engine Free Repair Manual PDF? This is definitely going to save you time and cash in something you should think about.

Find L99 Engine Free Repair Manual :

map of 50 states without names

marriage retreat washington state

marieke nijkamp books

manufacturing blueprint symbols

macedonian language course

machu picchu seven wonders of the world

manual ltr 450

maine coon intelligence

maintenance tools list pdf

maria mitchell fun facts

lyrics silent night french

maeve binchy first book

magic movie budgeting

manga coloring book

magnet therapy points pdf

L99 Engine Free Repair Manual :

photosynthesis copley - Feb 09 2023

web chapter 6 photosynthesis webquest answer the following questions while watching the video on average what percentage of the food we eat on a daily basis comes from carbohydrates where on the plant does photosynthesis take place the energy from the sun enters into what organelle in the plant

photosynthesis webquest docx photosynthesis webquest - Oct 05 2022

web photosynthesis webquest name prior knowledge in this lesson you will discover the chemical processes that occur during photosynthesis before beginning this webquest use the learning scale below to rate your knowledge of photosynthesis place a check in the before box

10hs biology photosynthesis webquest answer key docx - Jul 14 2023

web aug 25 2021 10hs biology photosynthesis webquest answer key 37 the excited electrons continue their journey down the electron transport chain 38 as the electrons travel down the chain their energy is used to pump hydrogen ions protons

across the membrane into the thylakoid space 39

the process of photosynthesis 338 plays quizizz - Jun 01 2022

web show answers see preview 1 multiple choice 30 seconds 1 pt which of the following is not a reactant ingredient for the process of photosynthesis carbon dioxide which of the following provides a source of hydrogen ions during the process of photosynthesis sunlight oxygen water nadph 4 multiple choice 30 seconds

photosynthesis quest study guide part 2 photosynthesis and quizlet - Jun 13 2023

web start studying photosynthesis quest study guide part 2 photosynthesis and respiration webquest learn vocabulary terms and more with flashcards games and other study tools

photosynthesis webquest flashcards quizlet - Aug 15 2023

web what is the definition of photosynthesis the process in which plants turn carbon dioxide and water into food where does the carbon for photosynthesis come from

illuminating photosynthesis webquest 1 craven county schools - May 12 2023

web illuminating photosynthesis webquest type in the following link pbs org wgbh nova methuselah photosynthesis html read the introduction entitled illuminating photosynthesis by rick groleau right click on the button that says launch interactive and choose open in new window option

photosynthesis webquest teaching resources tpt - Mar 30 2022

web this product takes students to a kid friendly website where they can read and answer questions about photosynthesis it includes an activity where student can create a diagram as well as a wordsearch puzzle at the end of the webquest an answer key is included

photosynthesis quiz biology 35 questions answers - Dec 27 2021

web what is true for photosynthesis a both carbon dioxide and water are oxidised b both carbon dioxide and water are reduced c carbon dioxide is oxidised and water reduced d carbon dioxide is reduced and water oxidised view answer ques light energy is converted into chemical energy in the presence of

photosynthesis webquest answer key pdf pdffiller - Jul 02 2022

web the purpose of a photosynthesis webquest answer key is to provide students with the correct answers to the questions and tasks presented in the webquest this allows students to check their answers and gauge their understanding of the content

illuminating photosynthesis webquest answers october 17th 18th quizlet - Jan 08 2023

web study with quizlet and memorize flashcards containing terms like what three things does the plant need to make photosynthesis what are the plant veins called which transport water what are the openings that allow carbon dioxide into

the leaf and more

32 photosynthesis quizzes questions answers trivia proprofs - Jan 28 2022

web aug 27 2023 if you can answer questions such as how does this process supply energy for all life on earth what is the average capture rate of photosynthesis globally today is photosynthesis the reason pine trees grow in a cone shape what role does the sun play and how does photosynthesis directly benefit our environment

photosynthesis and respiration web quest neshaminy school - Apr 30 2022

web answer each of the following questions and explain in your own words a can a tree produce enough oxygen to keep a person alive explain b can a plant stay alive without light c can a plant survive without oxygen explain photosynthesis webquest part 2 i the sun s energy part of the sun s energy comes to earth in the form of light

photosynthesis web quest flashcards quizlet - Dec 07 2022

web study with quizlet and memorize flashcards containing terms like energy for all living things ultimately comes from what are the reactants in photosynthesis what is the by product and more fresh features from the 1 ai enhanced learning platform

lucy p photosynthesis webquest photosynthesis webquest - Mar 10 2023

web photosynthesis webquest objective in this lesson you will discover the chemical processes that occur during photosynthesis task 1 photosynthesis video tutorial 5pts watch the photosynthesis video by the amoeba sisters as you watch answer the following questions 1 what type of sugar do plants and animals glucose

photosynthesis and respiration webquest - Sep 04 2022

web photosynthesis and respiration webquest 1 pbs org wgbh nova methuselah photosynthesis html adapted from ranic 2005 1 how do plants rely on photosynthesis 2 how do animals rely on photosynthesis 3 what are the two important jobs of photosynthesis

quiz the process of photosynthesis cliffsnotes - Aug 03 2022

web quiz photosystems process of photosynthesis quiz the process of photosynthesis cellular respiration introduction to cellular respiration glycolysis quiz glycolysis krebs cycle quiz krebs cycle

quiz worksheet photosynthesis process study com - Feb 26 2022

web the process by which plants convert sunlight into food is called photosynthesis and this quiz and worksheet combination will help you test your understanding of photosynthesis the practice

photosynthesis webquest student handout docx course hero - Apr 11 2023

web photosynthesis webquest name prior knowledge in this lesson you will discover the chemical processes that occur during photosynthesis before beginning this webquest use the learning scale below to rate your knowledge of photosynthesis place a check in the before box

photosynthesis webquest pc mac - Nov 06 2022

web photosynthesis webquest 1 view the overall process of photosynthesis earthguide.ucsd.edu/earthguide/diagrams/photosynthesis/photosynthesis.html what are the reactants starting materials 2 go to pbs.org/wgbh/nova/methuselah/photoflash.html

İstanbullu gelin 1 sezon 3 bölüm tek parça full hd İzle puhutv - Feb 25 2022

web bölüm tek parça full hd İzle puhutv İstanbullu gelin 1 sezon 3 bölüm konu esma sultan süreyya yı konaktan göndermek için en büyük hamlesini yapmıştır bu arada

books by kim kang won author of i n v u volume 2 - May 31 2022

web the queen s knight volume 3 by kim kang won 4.02 avg rating 221 ratings published 1999 4 editions

3 sınıf İngilizce konu anlatımları eğitimhane.com - Jan 27 2022

web 3 sınıf İngilizce konu anlatımları dosyası 3 sınıf genel dosyalar bölümünde bulunmaktadır 3 sınıf İngilizce konu anlatımları eğitimhane 3 sınıf İngilizce konu

i n v u 3 i n v u 3 page 1 niadd - Feb 08 2023

web niadd upload your manga novel on niadd

i n v u tome 3 - Apr 29 2022

web i n v u tome 3 serbo croatian basic course mar 24 2023 american publishers circular and literary gazette jul 16 2022 shakespeare lexicon nov 27 2020 still often used

i n v u volume 3 by kim kang won goodreads - Aug 14 2023

web jan 18 2023 i n v u volume 3 book read 10 reviews from the world s largest community for readers when 16 year old sey s mom departs suddenly for europe she leav

i n v u vol 3 chapter 2 mangakakalot.com - Aug 22 2021

web read i n v u vol 3 chapter 2 one morning 16 year old sey s world is turned upside down when her mother announces she s moving to italy to finish her novel she s made

amazon in buy i n v u tome 3 book online at low prices in - Mar 09 2023

web amazon in buy i n v u tome 3 book online at best prices in india on amazon in read i n v u tome 3 book reviews author details and more at amazon in free delivery on

trt 1 yeditepe İstanbul3 bölüm - Dec 26 2021

web yeditepe İstanbul 3 bölüm kocası iflas ettikten sonra kızı ile dar gelirli bir semtte ev tutan bir kadının alışık olmadığı çevrede yaşadıkları konu ediliyor yeditepe

read i n v u vol 3 chapter 1 on mangakakalot - Apr 10 2023

web read i n v u of vol 3 chapter 1 fully free on mangakakalot one morning 16 year old sey s world is turned upside down when her mother announces she s moving to italy to finish

i n v u tome 3 9782752200273 amazon com books - May 11 2023

web i n v u tome 3 on amazon com free shipping on qualifying offers i n v u tome 3

i n v u tome 2 by kim kang won goodreads - Aug 02 2022

web read 9 reviews from the world s largest community for readers when sey s mom suddenly leaves for europe the 16 year old is left with a new supposedly n

chapter 3 i n v u mangakatana - Jul 01 2022

web read chapter 3 i n v u online at mangakatana support two page view feature allows you to load all the pages at the same time

i n v u tome 3 - Mar 29 2022

web a 39 value for just 18 99 brings together 3 of sylvan learning s most popular curriculum based activity books and includes 320 colorful pages all designed to help your child get

i n v u vol 3 chapter 1 mangakakalot com - Jun 12 2023

web read i n v u vol 3 chapter 1 one morning 16 year old sey s world is turned upside down when her mother announces she s moving to italy to finish her novel she s made

read i n v u vol 3 chapter 3 mangabuddy - Oct 04 2022

web read i n v u vol 3 chapter 3 mangabuddy the next chapter vol 3 chapter 4 is also available here come and enjoy one morning 16 year old sey s world is turned upside

us open tennis 2023 men s final tv schedule start time and - Oct 24 2021

web sep 9 2023 for the second time in three years novak djokovic and daniil medvedev will take to center court at arthur ashe stadium for the finals of the us open djokovic

the doj s antitrust trial against google over its search npr - Nov 24 2021

web sep 12 2023 united states takes on google in biggest tech monopoly trial of 21st century september 12 2023 5 00 am et dara kerr enlarge this image google is headed to trial

i n v u vol 3 chapter 1 manganato - Nov 05 2022

web read i n v u vol 3 chapter 1 one morning 16 year old seys world is turned upside down when her mother announces shes moving to italy to finish her novel shes made

i n v u vol 3 chapter 3 mangakakalot com - Jul 13 2023

web red velvet red velvet vol 3 chapter 19 view 65 700 zatsuyou fuyojutsushi ga jibun no saikyou ni kizuku made zatsuyou

fuyojutsushi ga jibun no saikyou ni kizuku made

i n v u manga bato to - Jan 07 2023

web one morning 16 year old sey s world is turned upside down when her mother announces she s moving to italy to finish her novel she s made arrangements for sey to live with

read i n v u manga on mangakakalot - Sep 03 2022

web i n v u summary one morning 16 year old sey s world is turned upside down when her mother announces she s moving to italy to finish her novel she s made arrangements for

i n v u i envy you tome 3 paperback 15 july 2004 - Dec 06 2022

web jul 15 2004 buy i n v u i envy you tome 3 by kim kang won isbn 9782752200273 from amazon s book store everyday low prices and free delivery on eligible orders

3 sınıf İngilizce 5 Ünite konu anlatımı ingilizceciyiz com - Sep 22 2021

web buraya tıklayarak 5 sınıf İngilizce 3 ünite kelimeleri anlamları ve okunuşları nın kolayca öğrenebilirsiniz ve 3 sınıf ünite kelimelerini indirebilirsiniz kelimeleri öğrendikten sonra

gess türkiye 2022 de gerçekleşecek - Feb 09 2023

web eğitim dünyasını buluşturan gess türkiye fuarı nın yeni tarihi 26 28 mayıs 2022 olarak belirlendi organizasyonu destekleyen milli eğitim bakanlığı nın tavsiyesi ve katılımcı firmalarının görüşleri doğrultusunda bu yıl mayıs ayında gerçekleştirmeyi planladıkları gess türkiye nin 2022 yılına ertelenmesine karar verdiklerini açıklayan tarsus turkey fuar

grands thèmes sanitaires et sociaux concours infirmier as et - May 12 2023

web concours infirmier grands th mes sanitaires et sociaux reussir son concours france loisirs livres romans et l ouvrage référence incontournable ce guide entièrement remis à jour pour sa 6e édition traite toute l actualité sanitaire et sociale de façon exhaustive à travers 35 thèmes

grands tha mes sanitaires et sociaux concours inf download - Oct 05 2022

web 4 grands tha mes sanitaires et sociaux concours inf 2020 09 27 equivalent in french the appreciation of modern french poetry 1850 1950 oup oxford the metro pupil books offer a lively communicative approach underpinned by a clear grammatical foundation the books develop pupils use and understanding of french by providing straightforward

grands tha mes sanitaires et sociaux concours inf - Jul 02 2022

web feb 7 2023 4724485 grands tha mes sanitaires et sociaux concours inf 2 6 downloaded from id blockchain idea gov vn on by guest interest to scientists active in a wide range of oceanographic subdisciplines well established researchers would appreciate the innovative approach adopted in each chapter of the book which extends from the

concours ifsi les grands thèmes sanitaires et sociaux - Apr 11 2023

web résumé concours ifsi les grands thèmes sanitaires et sociaux dans le cadre de cet ouvrage nous vous proposons de découvrir l'essentiel des grands thèmes sanitaires et sociaux

grands thèmes sanitaires et sociaux concours infirmiers as et - Jun 01 2022

web concours infirmiers grands thèmes sanitaires et sociaux easy hair replacements full text of congrès des médecins généralistes et agenda réussir son concours france loisirs livres romans et 34 fiches culture générale sanitaire et sociale 50 sujets de mémoire de fin d'études 1 cours éko-gest déclaration de politique générale du premier ministre

grands thèmes sanitaires et sociaux concours inf pdf full pdf - Jul 14 2023

web webgrands thèmes sanitaires et sociaux concours inf le livre blanc jun 10 2021 ce livre blanc poursuit deux objectifs identifier les besoins sanitaires et sociaux des usagers de sud-est éducatif orientation sud-est éducatif thèmes sanitaires

santé consulat général de france à istanbul diplomatie - Nov 06 2022

web le consulat général contact et horaires la circonscription consulaire agences consulaires services aux français état civil nationalité française droit de vote et élections conseils aux familles

grands thèmes sanitaires et sociaux concours inf - Mar 30 2022

web feb 16 2023 4724485 grands thèmes sanitaires et sociaux concours inf 1 12 downloaded from id blockchain idea gov.vn on by guest grands thèmes sanitaires et sociaux concours inf when somebody should go to the book stores search opening by shop shelf by shelf it is really problematic this is why we offer the ebook compilations

grands thèmes sanitaires et sociaux concours inf - Aug 15 2023

web grands thèmes sanitaires et sociaux concours inf le livre blanc jun 10 2021 ce livre blanc poursuit deux objectifs identifier les besoins sanitaires et sociaux des usagers de drogues pour favoriser une meilleure prévention et proposer des réponses concrètes pour des mesures nouvelles un travail

grands thèmes sanitaires et sociaux concours inf pdf - Feb 26 2022

web grands thèmes sanitaires et sociaux concours inf pdf as recognized adventure as skillfully as experience virtually lesson amusement as well as deal can be in any way in the course of them is this grands thèmes sanitaires et sociaux concours inf pdf that can be your partner the continental shelf m w mouton 2013 11 22

gess turkey 2022 İstanbul expo turkey.org - Jan 28 2022

web global educational supplies and solutions exhibition 26 28 may 2022 tarsus group education fairs in turkey 2022 global educational supplies solutions exhibition taking place over 3 days the entire education community will come together for collaboration knowledge sharing creative thinking and to discover the latest education technologies

[grands thèmes sanitaires et sociaux concours inf full pdf](#) - Jan 08 2023

web pour les aspirants du concours d'entrée en institut de formation en soins infirmiers grands thèmes sanitaires et sociaux may

21 2022 référence incontournable ce guide entièrement remis à jour pour sa 6e édition traite toute l'actualité sanitaire et sociale de façon exhaustive à travers 35 thèmes

grands tha mes sanitaires et sociaux concours inf pdf - Apr 30 2022

web mar 23 2023 of this grands tha mes sanitaires et sociaux concours inf pdf by online you might not require more grow old to spend to go to the ebook launch as well as search for them in some cases you likewise accomplish not discover the message grands tha mes sanitaires et sociaux concours inf pdf that you are looking for it will utterly

gess türkiye eğitim teknolojileri ve Çözümleri fuarı için geri - Dec 27 2021

web may 4 2022 İstanbul lütfi kırdar kongre ve sergi sarayı nda 26 28 mayıs 2022 tarihlerinde gerçekleşecek gess türkiye eğitim teknolojileri ve Çözümleri fuarı üç yıl aradan sonra eğitim dünyasının ilk ve en büyük yüz yüze buluşması olacak eğitimdeki dijital yeniliklerin bir arada sergileneceği gess türkiye bu yıl

actualités 2022 consulat général de france à istanbul diplomatie - Dec 07 2022

web ces échanges sur les récents développements économiques étaient organisés par la chambre de commerce france turquie en partenariat avec teb et en présence de mme Şebnem berkol yuceer membre du conseil d administration de la cci de m omer yenidoğan directeur général adjoint de teb de m hakan aklar économiste en chef de

grands tha mes sanitaires et sociaux concours inf copy vpn - Aug 03 2022

web grands tha mes sanitaires et sociaux concours inf debates in the senate in its session of 1853 1854 health bulletin correspondence respecting the demands made upon the greek government and respecting the islands of cervi and sapienza negotiating the livelihoods of children and youth in africa s urban spaces sessional papers

grands tha mes sanitaires et sociaux concours inf france 2023 - Mar 10 2023

web grands tha mes sanitaires et sociaux concours inf this is likewise one of the factors by obtaining the soft documents of this grands tha mes sanitaires et sociaux concours inf by online you might not require more become old to spend to go to the books creation as competently as search for them in some cases you likewise do not discover the

grands tha mes sanitaires et sociaux concours inf pdf 2023 - Sep 04 2022

web grands tha mes sanitaires et sociaux concours inf pdf unveiling the power of verbal beauty an psychological sojourn through grands tha mes sanitaires et sociaux concours inf pdf in a global inundated with displays and the cacophony of instantaneous transmission the profound energy and mental resonance of verbal artistry often fade in to

grands tha mes sanitaires et sociaux concours inf copy - Jun 13 2023

web grands tha mes sanitaires et sociaux concours inf travail social aug 23 2020 la référence pour se préparer un livre complet pour réussir votre concours une méthode pas à pas pour chaque épreuve des entraînements guidés des sujets corrigés des simulations d entretiens des fiches de culture

