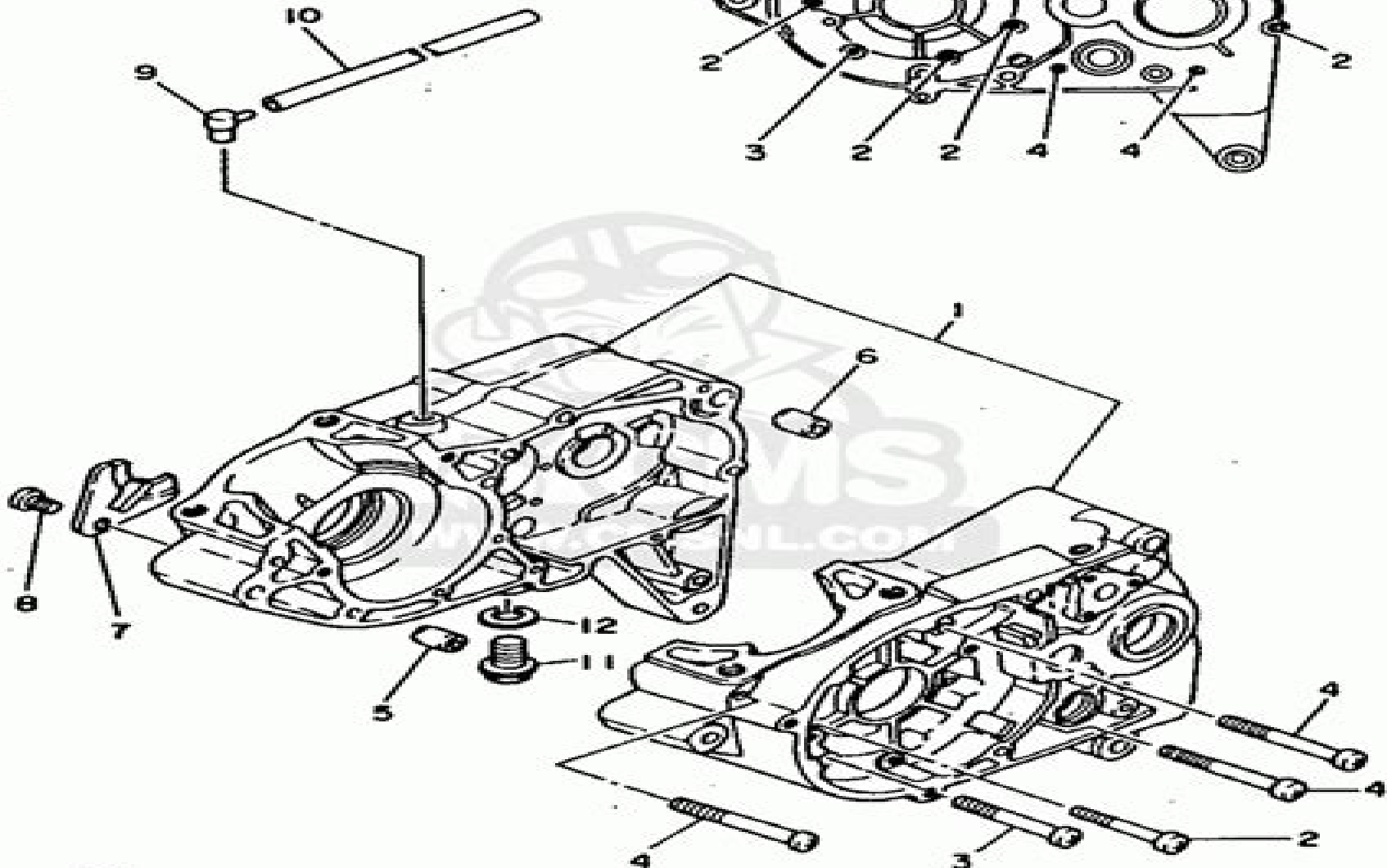
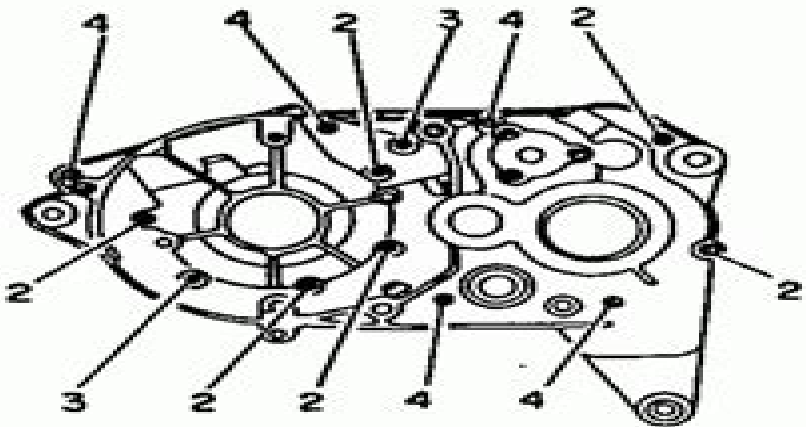


CRANKCASE



Yamaha Rx 100 Engine Diagram

E Durkheim



Yamaha Rx 100 Engine Diagram

Popular Mechanics ,1976-11 Popular Mechanics inspires instructs and influences readers to help them master the modern world Whether it s practical DIY home improvement tips gadgets and digital technology information on the newest cars or the latest breakthroughs in science PM is the ultimate guide to our high tech lifestyle *Popular Mechanics* ,1977-01 Popular Mechanics inspires instructs and influences readers to help them master the modern world Whether it s practical DIY home improvement tips gadgets and digital technology information on the newest cars or the latest breakthroughs in science PM is the ultimate guide to our high tech lifestyle **Popular Mechanics** ,1977-04 Popular Mechanics inspires instructs and influences readers to help them master the modern world Whether it s practical DIY home improvement tips gadgets and digital technology information on the newest cars or the latest breakthroughs in science PM is the ultimate guide to our high tech lifestyle **Japanese Technical Abstracts** ,1987 Universal Principles of Design, Revised and Updated William Lidwell,Kritina Holden,Jill Butler,2010 Universal Principles of Design is the first comprehensive cross disciplinary encyclopedia of design Popular Science ,1977-04 Popular Science gives our readers the information and tools to improve their technology and their world The core belief that Popular Science and our readers share The future is going to be better and science and technology are the driving forces that will help make it better Popular Science ,1976-11 Popular Science gives our readers the information and tools to improve their technology and their world The core belief that Popular Science and our readers share The future is going to be better and science and technology are the driving forces that will help make it better **Business World** ,1986-10 *Popular Science* ,1977-03 Popular Science gives our readers the information and tools to improve their technology and their world The core belief that Popular Science and our readers share The future is going to be better and science and technology are the driving forces that will help make it better **Popular Science** ,1976-12 Popular Science gives our readers the information and tools to improve their technology and their world The core belief that Popular Science and our readers share The future is going to be better and science and technology are the driving forces that will help make it better **Haynes Yamaha RS/RXS100 & 125 Singles** Pete Shoemark,2004-11-19 Haynes offers the best coverage for cars trucks vans SUVs and motorcycles on the market today Each manual contains easy to follow step by step instructions linked to hundreds of photographs and illustrations Included in every manual troubleshooting section to help identify specific problems tips that give valuable short cuts to make the job easier and eliminate the need for special tools notes cautions and warnings for the home mechanic color spark plug diagnosis and an easy to use index Charter and Ordinances of the City of New Haven New Haven (Conn.),1898 Sports Cars Illustrated ,1977 *Tuning, Timbre, Spectrum, Scale* William A. Sethares,2013-06-05 Tuning Timbre Spectrum Scale focuses on perceptions of consonance and dissonance and how these are dependent on timbre This also relates to musical scale certain

timbres sound more consonant in some scales than others Sensory consonance and the ability to measure it have important implications for the design of audio devices and for musical theory and analysis Applications include methods of adapting sounds for arbitrary scales ways to specify scales for nonharmonic sounds and techniques of sound manipulation based on maximizing or minimizing consonance Special consideration is given here to a new method of adaptive tuning that can automatically adjust the tuning of a piece based its timbral character so as to minimize dissonance Audio examples illustrating the ideas presented are provided on an accompanying CD This unique analysis of sound and scale will be of interest to physicists and engineers working in acoustics as well as to musicians and psychologists *Popular Science*, 1977-01 Popular Science gives our readers the information and tools to improve their technology and their world The core belief that Popular Science and our readers share The future is going to be better and science and technology are the driving forces that will help make it better **Motorcycle Workshop Practice Techbook** John Haynes, 2016-10-03 Haynes has discovered all the problems that motorcycle owners could possibly encounter when rebuilding or repairing their bikes Documenting the most common DIY fixes with hundreds of illustrations and step by step instructions this compendium of repair modification and troubleshooting advice is applicable to all domestic and import marques *Mighty Morphin Power Rangers #36* Marguerite Bennett, Ryan Ferrier, 2019-03-13 The newly assembled Power Rangers put everything on the line to win the battle but now a war has begun and it s one they never anticipated But if Grace thought her new team had time she s wrong the universe itself is collapsing *Popular Mechanics*, 1977 **Motorcycle Handling and Chassis Design** Tony Foale, 2006 **Popular Science**, 1986-11 Popular Science gives our readers the information and tools to improve their technology and their world The core belief that Popular Science and our readers share The future is going to be better and science and technology are the driving forces that will help make it better

gastrointestinal system questions practice khan academy - May 02 2023

web gastrointestinal system questions mini mcat passage why rabbits can digest cellulose meet the gastrointestinal tract mouth teeth esophagus stomach small intestine 1 structure small intestine 2 digestion small intestine 3 absorption liver hepatic lobule biliary tree exocrine pancreas gastrointestinal system questions google classroom

what is the digestive system bbc bitesize - Jul 24 2022

web bbc bitesize ks2 what is the digestive system part of science animals including humans year 4 activity 2 digestive system quiz watch why we have a digestive system the digestive

quiz function of the digestive system cliffsnotes - Sep 06 2023

web quiz digestive enzymes the mouth quiz the mouth function of the digestive system quiz function of the digestive system structure of the digestive tract wall the pharynx the esophagus quiz the esophagus deglutition swallowing quiz deglutition

swallowing the stomach quiz the stomach the small intestine quiz

digestive system quiz nursehub - Apr 20 2022

web welcome to the digestive system quiz this quiz includes 20 realistic practice questions detailed answer explanations are given after each question submission so you can check your understanding and learn along the way not all angels have wings some have scrubs get an 80 to mark this quiz complete

science quiz biology digestive system ducksters - Feb 16 2022

web kids take a quiz on biology digestive system practice science problems online test and questions for students and teachers

quiz digestive system the biology corner - May 22 2022

web quiz digestive system 1 this muscular valve prevents gastric juices from flowing back out of the stomach and into the esophagus cecum uvula cardiac sphincter pyloric sphincter 2 parotid submandibular and sublingual all refer to secretions of the liver types of absorbed nutrients sections of the small intestine salivary glands 3

the digestive system in humans wjec test questions bbc - Apr 01 2023

web the digestive system in humans wjec test questions we should eat a balanced diet suitable for our age and lifestyle overeating can lead to obesity nutrients have to be digested before

human digestive system 10 1k plays quizizz - Aug 05 2023

web human digestive system quiz for 7th grade students find other quizzes for biology and more on quizizz for free

digestive system quiz how much do you know about the human proprofs - Oct 07 2023

web sep 19 2023 1 which of these is the function of the digestive system a to give the body shape b to take in oxygen and give off carbon dioxide c to transfer signals with the help of nerves d to take in and break down food for use by the body correct answer d to take in and break down food for use by the body explanation

human digestive system quiz sporcle - Jul 04 2023

web oct 2 2010 top contributed quizzes in science 1 disease by another name 2 medical terminology digestive 3 ap psychology module 19 4 square numbers scrambled 1 50

quiz digestive system for kids nemours kidshealth - Feb 28 2023

web quiz digestive system print how much do you know about your digestive system find out by taking this quiz quiz digestive system q 1 how long is an adult s small intestine a 22 feet b 30 inches c 30 miles d 17 feet

digestive system practice quizzes and interactive learning - Nov 27 2022

web practice quiz use the image slider below to practice identifying different digestive system tissues and or structures and their functions click through the pictures in the image slider to see the answer to each set of questions

digestive system quiz health encyclopedia university of rochester - Sep 25 2022

web take this quiz to see how much you know about how digestion works 1 how does food move through your digestive tract a by gravity b by wavelike muscle contractions c by cilia d by chemical absorption 2 where does most of the digestive process take place a small intestine b large intestine c stomach d all of the above 3

label the human digestive system science learning hub - Jan 30 2023

web jan 12 2023 the digestive system is a series of structures and organs through which food and liquids are processed before being eliminated from the body in this interactive you can label parts of the human digestive system use your mouse or finger to hover over a box to highlight the body part to be named drag and drop the text labels onto the boxes

digestive system quiz questions and free learning tools kenhub - Jun 03 2023

web oct 30 2023 the digestive system contains several interesting anatomical structures with equally fascinating functions use our digestive system quizzes to learn more

digestive system quiz san diego hospital healthcare - Dec 29 2022

web apr 1 2023 quizzes what do you know about the digestive system what happens to that cheeseburger and fries or we hope that whole wheat bread and green salad you had for lunch during the digestive process food is converted into energy that's used by your body take this quiz to see how much you know about how digestion works 1

digestive system quizzes questions answers proprofs - Aug 25 2022

web oct 9 2023 digestive system quizzes questions answers your body's digestive system is specially crafted to convert the food you eat into nutrients which are then used by the body for energy cell growth and repair play this informative digestive trivia quiz to learn more about it

the digestive system quiz questions footprints science - Mar 20 2022

web the digestive system quiz including multiple choice drag and drop flashcards and anagrams gcse science animations and quizzes

free anatomy quiz quizzes on the digestive system - Oct 27 2022

web anatomy identify the parts of the digestive system quiz 1 quiz 2 quiz 3 quiz 4 physiology how does the digestive system work quiz 1 quiz 2 pathology disorders and diseases of the digestive system quiz 1 quiz 2 or if you fancy something different try a french quiz instead or how about an astronomy quiz

the digestive system aqa synergy test questions bbc - Jun 22 2022

web the digestive system aqa synergy test questions the major nutrients required for a healthy diet are carbohydrates proteins and lipids the digestive system breaks down large molecules of food

superman dawnbreaker roman by matt de la peña google - Aug 21 2023

web superman dawnbreaker roman ebook written by matt de la peña read this book using google play books app on your pc android ios devices download for offline reading highlight bookmark or take notes while you read superman

superman dawnbreaker roman store spiralny - May 06 2022

web superman dawnbreaker roman downloaded from store spiralny com by guest miguel kenyon friends like these dc a lone figure stands silhouetted atop the mausoleum of hadrian behind him the sun is setting over the centre of the known world far below the river is in full flood the city of rome lies spread out before him on the far bank

superman dawnbreaker roman pivotid uvu edu - Apr 05 2022

web superman dawnbreaker matt de la peña 2020 03 03 the new york times bestselling series dc icons don t miss the coming of age story of the world s first super hero superman from newbery award winning and 1 new york times bestselling author matt de la peña in his brilliant take on superman de la peña shows

book review superman dawnbreaker by matt de la pena - Jan 14 2023

web apr 12 2019 it had been quite a while since i d last read a superman novel and i was eager to give this one a read the fourth book in the dc icons series the other three based on batman wonder woman and catwoman superman dawnbreaker could be classified as a young adult novel but don t let that deter you from picking it up

superman dawnbreaker random house children s books - Jul 20 2023

web don t miss the coming of age story of the world s first super hero superman from newbery award winning and 1 new york times bestselling author matt de la peña in his brilliant take on superman de la peña shows us that there s a chance we ll all need to step up like clark kent with or without a cape

superman dawnbreaker by matt de la peña 9780399549687 - Jun 19 2023

web about superman dawnbreaker the blockbuster dc icons series that began with leigh bardugo s wonder woman marie lu s batman and sarah j maas s catwoman continues with the story of the world s first super hero superman from award winning and 1 new york times bestselling author matt de la peña when the dawn breaks a hero rises

superman dawnbreaker by matt de la peña open letters - Apr 17 2023

web mar 13 2019 previous volumes in the series have featured wonder woman catwoman and a young bruce wayne and superman dawnbreaker by newbery medal winning writer matt de la peña stars a young clark kent still a high school student struggling to figure out the superhuman powers he possesses

superman dawnbreaker dc icons series amazon com - Sep 22 2023

web mar 5 2019 dc icons continues with the coming of age story of the world s first super hero superman from newbery award winning and 1 new york times bestselling author matt de la peña when the dawn breaks a hero rises clark kent has always been faster stronger better than everyone around him

superman dawnbreaker dc icons wiki fandom - Jun 07 2022

web superman dawnbreaker is the fourth book to be released in the dc icons series by matt de la pena when the dawn breaks a hero rises his power is beyond imagining clark kent has always been faster stronger better than everyone around him but he wasn't raised to

superman dawnbreaker roman dc icons superhelden serie - Jul 08 2022

web jul 19 2019 superman dawnbreaker roman dc icons superhelden serie 4 german edition ebook de la peña matt link michaela amazon co uk kindle store

superman dawnbreaker roman - Mar 04 2022

web 2 superman dawnbreaker roman 2022 03 21 gene luen yang author of new super man and national ambassador for young people's literature when the dawn breaks a hero rises clark kent has always been faster stronger better than everyone around him he knows drawing attention to himself could be dangerous but lately it's difficult to stay in

book review superman dawnbreaker by matt de la peña - Dec 13 2022

web mar 30 2019 book review superman dawnbreaker by matt de la peña clark kent has always known he's special after all it was his unusual strength and speed that made him a football star in his freshman year and his fear of anyone noticing those abilities that made him quit the team after that season a decision that took most of

superman dawnbreaker roman dc icons superhelden serie - Sep 10 2022

web superman dawnbreaker roman dc icons superhelden serie 4 german edition ebook de la peña matt link michaela amazon com au kindle store

book review superman dawnbreaker by matt de la pena - Feb 15 2023

web march 28 2019 by ricky church ricky church reviews superman dawnbreaker by matt de la pena after getting books on wonder woman batman and catwoman the dc icons series has finally gotten to

virginia ronan herondale's review of superman dawnbreaker - Oct 11 2022

web jun 7 2021 3 5 maybe clark had miscalculated it felt like every time he tried to help someone got hurt and he came out looking like the bad guy for a superman book this was actually pretty good as someone who knows all the tv series and the movies i think i'd categorize this in the smallville era we have a young clark kent that still lives at his

superman dawnbreaker book review common sense media - May 18 2023

web parents need to know that matt de la peña's superman dawnbreaker tells a story of clark kent's teen years in smallville there's violence though mostly bloodless fight scenes include characters using their fists firearms and other weaponry there's more strong language than some readers might expect

superman dawnbreaker roman dc icons superhelden serie - Aug 09 2022

web jul 19 2019 [superman dawnbreaker roman dc icons superhelden serie 4 german edition kindle edition by de la peña matt link michaela download it once and read it on your kindle device pc phones or tablets](#)

[superman dawnbreaker by matt de la peña goodreads](#) - Oct 23 2023

web mar 5 2019 al igual que las otras entregas de esta serie en superman dawnbreaker nos encontramos con la historia de clark kent cuando aún es un adolescente y está descubriendo sus poderes y su origen todo este arco de entender quién es y de dónde vino se mezcla con una trama bastante actual sobre el problema del racismo en ciertos

[superman dawnbreaker roman by matt de la peña used](#) - Nov 12 2022

web superman dawnbreaker roman summary superman dawnbreaker roman by matt de la peña unfortunately we do not have a summary for this item at the moment show more additional information sku gor010776869 isbn 13 9783423762557 isbn 10 3423762551 title superman dawnbreaker roman by matt de la peña author matt

[superman dawnbreaker matt de la peña google books](#) - Mar 16 2023

web dc icons continues with the coming of age story of the world's first super hero superman from newbery award winning and 1 new york times bestselling author matt de la peña when the dawn breaks a hero rises clark kent has always been faster stronger better than everyone around him

[psd2 taking advantage of open banking disruption mckinsey](#) - Aug 15 2023

web jan 24 2018 the second payment services directive psd2 is part of a global trend in bank regulation emphasizing security innovation and market competition by requiring banks to provide other qualified payment service providers psp connectivity to access customer account data and to initiate payments psd2 represents a significant step

[psd2 empowering or emasculating fintech open bank](#) - Mar 30 2022

web pages of psd2 empowering or emasculating fintech open bank a mesmerizing literary creation penned with a celebrated wordsmith readers embark on an enlightening odyssey unraveling the intricate significance of language and its enduring effect on our lives in this appraisal we shall explore

psd2 and the turkish banking opportunity pymnts com - Feb 09 2023

web jan 3 2020 psd2 and the turkish banking opportunity fintechs see psd2 as an opportunity to get a leg up with legacy banks that will be tough in turkey where banks have had more time to prepare for the

[psd2 empowering or emasculating fintech open banking for](#) - Oct 05 2022

web presents challenges for banks and fintechs how psd2 will affect the fintech industry akeo will the banks vs fintechs dispute over psd2 derail the pymnts how psd2 and open banking impact security psd2 what psd2 and open banking means for financial services in psd2 open bank project psd2 amp open banking the future of payments open

[psd2 empowering or emasculating fintech psd2 open banking](#) - Jun 13 2023

web to know about the fintech trend psd2 amp open banking psd2 empowering or emasculating fintech psd2 open psd2 s
open banking who will be the winners and losers how psd2 will revolutionise fintech data amp
[psd2 empowering or emasculating fintech open banking for](#) - Feb 26 2022

web and open banking psd2 open bank project psd2 empowering or emasculating fintech psd2 open psd2 taking advantage of
open banking disruption mckinsey open banking and psd2 who is impacted smartbear the security risks of psd2 and open
banking pymnts the role of blockchain in the open banking era fintech embracing open banking psd2

psd2 empowering or emasculating fintech open banking for - Dec 27 2021

web challenges for banks and fintechns how psd2 and open banking will shape the future of payments psd2 empowering or
emasculating fintech open banking payment services directive 2 psd2 the fintech times psd2 empowering banks and
customers and fintech futures open banking what does it mean for banks and fintechns open banking vs psd2

psd2 empowering or emasculating fintech open bank - Jun 01 2022

web jan 22 2023 fintech open bank but end up in harmful downloads rather than enjoying a good book with a cup of tea in
the afternoon instead they are facing with some harmful virus inside their laptop

[psd2 empowering or emasculating fintech open bank pdf](#) - Apr 11 2023

web psd2 empowering or emasculating fintech open bank exploring gender and sikh traditions jul 10 2020 this volume
gathers scholars who focus on gender through a variety of disciplines and approaches to sikh studies the intersections of
religion and gender are here explored based on an understanding that both are socially constructed

psd2 empowering or emasculating fintech open bank martha - Nov 06 2022

web best area within net connections if you objective to download and install the psd2 empowering or emasculating fintech
open bank it is unconditionally simple then past currently we extend the join to purchase and make bargains to download and
install psd2 empowering or emasculating fintech open bank hence simple

[what does psd2 regulation mean for fintech existek blog](#) - Dec 07 2022

web feb 4 2019 open banking is a synonym to psd2 and comprises the set of measures that banks are obligated to apply in
order to help third party providers to build their fintech applications and services around the banks their information and
internet banking systems functionality

psd2 empowering or emasculating fintech open banking for - May 12 2023

web embracing open banking psd2 international banker agenda open banking world congress payment services directive 2
psd2 the fintech times open banking presents challenges for banks and fintechns psd2 empowering or emasculating fintech
open banking open banking and psd2 who is impacted smartbear psd2 empowering or

[psd2 empowering or emasculating fintech open bank pdf](#) - Jul 14 2023

web psd2 empowering or emasculating fintech open bank pdf upload caliva l williamson 2 10 downloaded from black ortax org on september 1 2023 by caliva l williamson have changed the ecosystem there are many open ended questions about fintech s business models how it relates to blockchain and whether this is a collaborative relationship

psd2 empowering or emasculating fintech open banking for - Aug 03 2022

web jun 5 2023 psd2 empowering or emasculating fintech open banking for devops sec by alasdair gilchrist psd2 s open banking who will be the winners and losers how banks are getting around open banking and psd2 chris agenda open banking world congress psd2 how eu banks and fintechns are responding to open psd2

psd2 empowering or emasculating fintech open banking for - Mar 10 2023

web emasculating fintech psd2 open open banking and psd2 who is impacted smartbear 7 things corporates need to know about psd2 and open banking psd2 taking advantage of open

the benefits of psd2 and open banking payhawk - Sep 04 2022

web aug 12 2020 in the past few years there has been a lot of buzz around psd2 and open banking by many financial institutions it is referred to as one of the major steps in banking history figures published early this year show that customers use of open banking in the u k has surpassed the one million customer mark for the first time the numbers

psd2 empowering or emasculating fintech open bank school - Jul 02 2022

web psd2 empowering or emasculating fintech open bank this is likewise one of the factors by obtaining the soft documents of this psd2 empowering or emasculating fintech open bank by online you might not require more era to spend to go to the books foundation as with ease as search for them

psd2 open banking explained proofid - Jan 08 2023

web apr 17 2018 psd2 is the second iteration of regulation governing banking services and requires banks across the eu to provide open apis to allow third party organizations to access their customer s banking details psd2 covers all banks but also other account servicing payment service providers aspmps including building societies and credit

psd2 empowering or emasculating fintech psd2 open banking - Jan 28 2022

web emasculating fintech psd2 open psd2 and open banking what is the latest thinking blog open banking and psd2 who is impacted smartbear neonomics to launch psd2 payment solution in finland how banks can

psd2 empowering or emasculating fintech open banking for - Apr 30 2022

web psd2 empowering or emasculating fintech open banking for devops sec by alasdair gilchrist psd2 empowering or emasculating fintech open banking for devops sec by

Yamaha Rx 100 Engine Diagram Book Review: Unveiling the Power of Words

In a world driven by information and connectivity, the energy of words has been evident than ever. They have the capability to inspire, provoke, and ignite change. Such may be the essence of the book **Yamaha Rx 100 Engine Diagram**, a literary masterpiece that delves deep into the significance of words and their effect on our lives. Compiled by a renowned author, this captivating work takes readers on a transformative journey, unraveling the secrets and potential behind every word. In this review, we will explore the book's key themes, examine its writing style, and analyze its overall effect on readers.

https://offsite.creighton.edu/files/virtual-library/Documents/historical_fiction_passages.pdf

https://offsite.creighton.edu/files/virtual-library/Documents/holt_rinehart_and_winston_modern_chemistry.pdf

https://offsite.creighton.edu/files/virtual-library/Documents/hibernation_sleep_mn.pdf

Table of Contents Yamaha Rx 100 Engine Diagram

1. Understanding the eBook Yamaha Rx 100 Engine Diagram
 - The Rise of Digital Reading Yamaha Rx 100 Engine Diagram
 - Advantages of eBooks Over Traditional Books
2. Identifying Yamaha Rx 100 Engine Diagram
 - Exploring Different Genres
 - Considering Fiction vs. Non-Fiction
 - Determining Your Reading Goals
3. Choosing the Right eBook Platform
 - Popular eBook Platforms
 - Features to Look for in an Yamaha Rx 100 Engine Diagram

- User-Friendly Interface
- 4. Exploring eBook Recommendations from Yamaha Rx 100 Engine Diagram
 - Personalized Recommendations
 - Yamaha Rx 100 Engine Diagram User Reviews and Ratings
 - Yamaha Rx 100 Engine Diagram and Bestseller Lists
- 5. Accessing Yamaha Rx 100 Engine Diagram Free and Paid eBooks
 - Yamaha Rx 100 Engine Diagram Public Domain eBooks
 - Yamaha Rx 100 Engine Diagram eBook Subscription Services
 - Yamaha Rx 100 Engine Diagram Budget-Friendly Options
- 6. Navigating Yamaha Rx 100 Engine Diagram eBook Formats
 - ePub, PDF, MOBI, and More
 - Yamaha Rx 100 Engine Diagram Compatibility with Devices
 - Yamaha Rx 100 Engine Diagram Enhanced eBook Features
- 7. Enhancing Your Reading Experience
 - Adjustable Fonts and Text Sizes of Yamaha Rx 100 Engine Diagram
 - Highlighting and Note-Taking Yamaha Rx 100 Engine Diagram
 - Interactive Elements Yamaha Rx 100 Engine Diagram
- 8. Staying Engaged with Yamaha Rx 100 Engine Diagram
 - Joining Online Reading Communities
 - Participating in Virtual Book Clubs
 - Following Authors and Publishers Yamaha Rx 100 Engine Diagram
- 9. Balancing eBooks and Physical Books Yamaha Rx 100 Engine Diagram
 - Benefits of a Digital Library
 - Creating a Diverse Reading Collection Yamaha Rx 100 Engine Diagram
- 10. Overcoming Reading Challenges
 - Dealing with Digital Eye Strain
 - Minimizing Distractions
 - Managing Screen Time
- 11. Cultivating a Reading Routine Yamaha Rx 100 Engine Diagram
 - Setting Reading Goals Yamaha Rx 100 Engine Diagram

- Carving Out Dedicated Reading Time
- 12. Sourcing Reliable Information of Yamaha Rx 100 Engine Diagram
 - Fact-Checking eBook Content of Yamaha Rx 100 Engine Diagram
 - Distinguishing Credible Sources
- 13. Promoting Lifelong Learning
 - Utilizing eBooks for Skill Development
 - Exploring Educational eBooks
- 14. Embracing eBook Trends
 - Integration of Multimedia Elements
 - Interactive and Gamified eBooks

Yamaha Rx 100 Engine Diagram Introduction

In today's digital age, the availability of Yamaha Rx 100 Engine Diagram books and manuals for download has revolutionized the way we access information. Gone are the days of physically flipping through pages and carrying heavy textbooks or manuals. With just a few clicks, we can now access a wealth of knowledge from the comfort of our own homes or on the go. This article will explore the advantages of Yamaha Rx 100 Engine Diagram books and manuals for download, along with some popular platforms that offer these resources. One of the significant advantages of Yamaha Rx 100 Engine Diagram books and manuals for download is the cost-saving aspect. Traditional books and manuals can be costly, especially if you need to purchase several of them for educational or professional purposes. By accessing Yamaha Rx 100 Engine Diagram versions, you eliminate the need to spend money on physical copies. This not only saves you money but also reduces the environmental impact associated with book production and transportation. Furthermore, Yamaha Rx 100 Engine Diagram books and manuals for download are incredibly convenient. With just a computer or smartphone and an internet connection, you can access a vast library of resources on any subject imaginable. Whether you're a student looking for textbooks, a professional seeking industry-specific manuals, or someone interested in self-improvement, these digital resources provide an efficient and accessible means of acquiring knowledge. Moreover, PDF books and manuals offer a range of benefits compared to other digital formats. PDF files are designed to retain their formatting regardless of the device used to open them. This ensures that the content appears exactly as intended by the author, with no loss of formatting or missing graphics. Additionally, PDF files can be easily annotated, bookmarked, and searched for specific terms, making them highly practical for studying or referencing. When it comes to accessing Yamaha Rx 100 Engine Diagram books and manuals, several platforms offer an extensive collection of resources. One such platform is Project Gutenberg, a nonprofit organization that provides over 60,000

free eBooks. These books are primarily in the public domain, meaning they can be freely distributed and downloaded. Project Gutenberg offers a wide range of classic literature, making it an excellent resource for literature enthusiasts. Another popular platform for Yamaha Rx 100 Engine Diagram books and manuals is Open Library. Open Library is an initiative of the Internet Archive, a non-profit organization dedicated to digitizing cultural artifacts and making them accessible to the public. Open Library hosts millions of books, including both public domain works and contemporary titles. It also allows users to borrow digital copies of certain books for a limited period, similar to a library lending system. Additionally, many universities and educational institutions have their own digital libraries that provide free access to PDF books and manuals. These libraries often offer academic texts, research papers, and technical manuals, making them invaluable resources for students and researchers. Some notable examples include MIT OpenCourseWare, which offers free access to course materials from the Massachusetts Institute of Technology, and the Digital Public Library of America, which provides a vast collection of digitized books and historical documents. In conclusion, Yamaha Rx 100 Engine Diagram books and manuals for download have transformed the way we access information. They provide a cost-effective and convenient means of acquiring knowledge, offering the ability to access a vast library of resources at our fingertips. With platforms like Project Gutenberg, Open Library, and various digital libraries offered by educational institutions, we have access to an ever-expanding collection of books and manuals. Whether for educational, professional, or personal purposes, these digital resources serve as valuable tools for continuous learning and self-improvement. So why not take advantage of the vast world of Yamaha Rx 100 Engine Diagram books and manuals for download and embark on your journey of knowledge?

FAQs About Yamaha Rx 100 Engine Diagram Books

How do I know which eBook platform is the best for me? Finding the best eBook platform depends on your reading preferences and device compatibility. Research different platforms, read user reviews, and explore their features before making a choice. Are free eBooks of good quality? Yes, many reputable platforms offer high-quality free eBooks, including classics and public domain works. However, make sure to verify the source to ensure the eBook credibility. Can I read eBooks without an eReader? Absolutely! Most eBook platforms offer web-based readers or mobile apps that allow you to read eBooks on your computer, tablet, or smartphone. How do I avoid digital eye strain while reading eBooks? To prevent digital eye strain, take regular breaks, adjust the font size and background color, and ensure proper lighting while reading eBooks. What the advantage of interactive eBooks? Interactive eBooks incorporate multimedia elements, quizzes, and activities, enhancing the reader engagement and providing a more immersive learning experience. Yamaha Rx 100 Engine Diagram is one of the best book in our library for free trial. We provide copy of Yamaha Rx 100 Engine Diagram in digital format, so the

resources that you find are reliable. There are also many Ebooks of related with Yamaha Rx 100 Engine Diagram. Where to download Yamaha Rx 100 Engine Diagram online for free? Are you looking for Yamaha Rx 100 Engine Diagram PDF? This is definitely going to save you time and cash in something you should think about.

Find Yamaha Rx 100 Engine Diagram :

historical fiction passages

[holt rinehart and winston modern chemistry](#)

hibernation sleep mn

hikes in santa fe

~~henry county youth basketball~~

~~hitler defies versailles treaty~~

hidden places in illinois

[harry potter and the deathly hallows read](#)

~~hazmat practice test~~

~~healthy meal prep for construction workers~~

[hilti two part epoxy](#)

[heads up synonym positive](#)

[henry and mudge journeys](#)

hocus pocus spell book pdf

[healing add type test](#)

Yamaha Rx 100 Engine Diagram :