

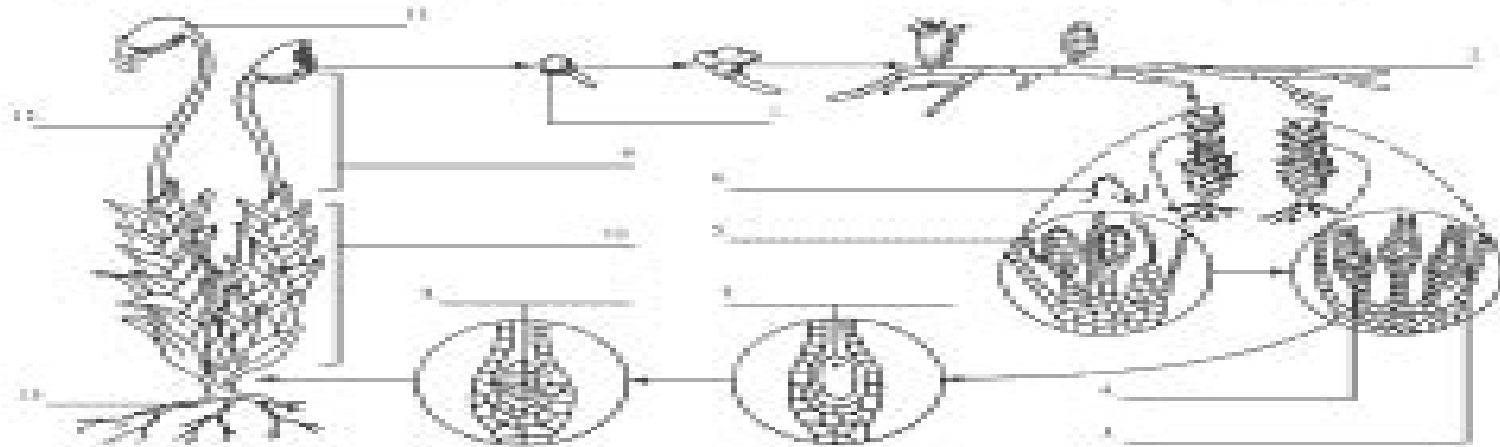
Worksheet

Moss - Fern Life Cycle

Procedure:

During reproduction, mosses exhibit alternation of generations in which a gametophyte generation gives rise to a sporophyte generation that, in turn, gives rise to another gametophyte generation. The leafy, green forms of mosses are the gametophytes, and the stalks are the sporophytes.

A. Study the diagram below showing the life cycle of a moss. Label each of the structures in the space provided.



B. Answer the following questions.

1. What composes a gametophyte?
2. What composes a sporophyte?
3. What is produced in the archegonium? _____ In the antheridium? _____
4. How does a zygote form? _____ Is it haploid or diploid? _____
5. What develops from a zygote?
6. Spores develop within sporophytes that are diploid, but the spores are haploid when released. What caused this change?
7. What is the function of peristomes?
8. What evidence indicates that the mosses evolved from the green algae?

Chapter 22 Plant Diversity Guided Reading Answer Key

Jerrold H. Zar



Chapter 22 Plant Diversity Guided Reading Answer Key

Model Rules of Professional Conduct American Bar Association. House of Delegates, Center for Professional Responsibility (American Bar Association), 2007 The Model Rules of Professional Conduct provides an up to date resource for information on legal ethics Federal state and local courts in all jurisdictions look to the Rules for guidance in solving lawyer malpractice cases disciplinary actions disqualification issues sanctions questions and much more In this volume black letter Rules of Professional Conduct are followed by numbered Comments that explain each Rule s purpose and provide suggestions for its practical application The Rules will help you identify proper conduct in a variety of given situations review those instances where discretionary action is possible and define the nature of the relationship between you and your clients colleagues and the courts

Molecular Biology of The Cell Bruce Alberts, 2002

Demons in Eden Jonathan Silvertown, 2008-11-15 At the heart of evolution lies a bewildering paradox Natural selection favors above all the individual that leaves the most offspring a superorganism of sorts that Jonathan Silvertown here calls the Darwinian demon But if such a demon existed this highly successful organism would populate the entire world with its own kind beating out other species and eventually extinguishing biodiversity as we know it Why then if evolution favors this demon is the world filled with so many different life forms What keeps this Darwinian demon in check If humankind is now the greatest threat to biodiversity on the planet have we become the Darwinian demon Demons in Eden considers these questions using the latest scientific discoveries from the plant world Readers join Silvertown as he explores the astonishing diversity of plant life in regions as spectacular as the verdant climes of Japan the lush grounds of the Royal Botanical Gardens at Kew the shallow wetlands and teeming freshwaters of Florida the tropical rainforests of southeast Mexico and the Canary Islands archipelago whose evolutionary novelties and exotic plant life have earned it the sobriquet the Galapagos of botany Along the way Silvertown looks closely at the evolution of plant diversity in these locales and explains why such variety persists in light of ecological patterns and evolutionary processes In novel and useful ways he also investigates the current state of plant diversity on the planet to show the ever challenging threats posed by invasive species and humans Bringing the secret life of plants into more colorful and vivid focus than ever before Demons in Eden is an empathic and impassioned exploration of modern plant ecology that unlocks evolutionary mysteries of the natural world

Modern Biology Towle, Albert Towle, 1991

What a Plant Knows Daniel Chamovitz, 2012-05-22 Explores the secret lives of various plants from the colors they see to whether or not they really like classical music to their ability to sense nearby danger

NUREG/CR. U.S. Nuclear Regulatory Commission, 1977

Concepts of Biology Samantha Fowler, Rebecca Roush, James Wise, 2018-01-07 Concepts of Biology is designed for the single semester introduction to biology course for non science majors which for many students is their only college level science course As such this course represents an important opportunity for students to develop the necessary knowledge tools and skills to make informed decisions as they continue with their lives Rather than being mired down with facts and vocabulary the typical non science major student needs information presented in a way that is easy to read and understand Even more importantly the content should be meaningful Students do much better when they understand why biology is relevant to their everyday lives For these reasons Concepts of Biology is grounded on an evolutionary basis and includes exciting features that highlight careers in the biological sciences and everyday applications of the concepts at hand We also strive to show the interconnectedness of topics within this extremely broad discipline In order to meet the needs of today s instructors and students we maintain the overall organization and coverage found in most syllabi for this course A strength of Concepts of Biology is that instructors can customize the book adapting it to the approach that works best in their classroom Concepts of Biology also includes an innovative art program that incorporates critical thinking and clicker questions to help students understand and apply key concepts

Biology for AP ® Courses Julianne Zedalis, John Eggebrecht, 2017-10-16 Biology for AP courses covers the scope and sequence requirements of a typical two semester Advanced Placement biology course The text provides comprehensive coverage of foundational research and core biology concepts through an evolutionary lens Biology for AP Courses was designed to meet and exceed the requirements of the College Board s AP Biology framework while allowing significant flexibility for instructors Each section of the book includes an introduction based on the AP curriculum and includes rich features that engage students in scientific practice and AP test preparation it also highlights careers and research opportunities in biological sciences

Species Diversity in Space and Time Michael L. Rosenzweig, 1995-05-04 Biodiversity

A Framework for K-12 Science Education National Research Council, Division of Behavioral and Social Sciences and Education, Board on Science Education, Committee on a Conceptual Framework for New K-12 Science Education Standards, 2012-02-28 Science engineering and technology permeate nearly every facet of modern life and hold the key to solving many of humanity's most pressing current and future challenges. The United States position in the global economy is declining in part because U.S. workers lack fundamental knowledge in these fields. To address the critical issues of U.S. competitiveness and to better prepare the workforce, A Framework for K-12 Science Education proposes a new approach to K-12 science education that will capture students' interest and provide them with the necessary foundational knowledge in the field. A Framework for K-12 Science Education outlines a broad set of expectations for students in science and engineering in grades K-12. These expectations will inform the development of new standards for K-12 science education and subsequently revisions to curriculum, instruction, assessment, and professional development for educators. This book identifies three dimensions that convey the core ideas and practices around which science and engineering education in these grades should be built. These three dimensions are crosscutting concepts that unify the study of science through their common application across science and engineering: scientific and engineering practices and disciplinary core ideas in the physical sciences, life sciences, and earth and space sciences; and for engineering, technology, and the applications of science. The overarching goal is for all high school graduates to have sufficient knowledge of science and engineering to engage in public discussions on science-related issues, be careful consumers of scientific and technical information, and enter the careers of their choice. A Framework for K-12 Science Education is the first step in a process that can inform state-level decisions and achieve a research-grounded basis for improving science instruction and learning across the country. The book will guide standards developers, teachers, curriculum designers, assessment developers, state and district science administrators, and educators who teach science in informal environments.

Handbook of Trait-Based Ecology Francesco de Bello, Carlos P. Carmona, André T. C. Dias, Lars Götzenberger, Marco Moretti, Matty P. Berg, 2021-03-11 Trait-based ecology is rapidly expanding. This comprehensive and accessible guide covers the main concepts and tools in functional ecology.

Plant Breeding Abstracts, 1997

Inanimate Life George M. Briggs, 2021-07-16

School, Family, and Community Partnerships Joyce L. Epstein, Mavis G. Sanders, Steven B. Sheldon, Beth S. Simon, Karen Clark Salinas, Natalie Rodriguez Jansorn, Frances L. Van Voorhis, Cecelia S. Martin, Brenda G. Thomas, Marsha D. Greenfeld, Darcy J. Hutchins, Kenyatta J. Williams, 2018-07-19 Strengthen programs of family and community engagement to promote equity and increase student success When schools families and communities collaborate and share responsibility for students education more students succeed in school Based on 30 years of research and fieldwork the fourth edition of the bestseller *School Family and Community Partnerships Your Handbook for Action* presents tools and guidelines to help develop more effective and more equitable programs of family and community engagement Written by a team of well known experts it provides a theory and framework of six types of involvement for action up to date research on school family and community collaboration and new materials for professional development and on going technical assistance Readers also will find Examples of best practices on the six types of involvement from preschools and elementary middle and high schools Checklists templates and evaluations to plan goal linked partnership programs and assess progress CD ROM with slides and notes for two presentations A new awareness session to orient colleagues on the major components of a research based partnership program and a full One Day Team Training Workshop to prepare school teams to develop their partnership programs As a foundational text this handbook demonstrates a proven approach to implement and sustain inclusive goal linked programs of partnership It shows how a good partnership program is an essential component of good school organization and school improvement for student success This book will help every district and all schools strengthen and continually improve their programs of family and community engagement

Brooklyn Botanic Garden Gardener's Desk Reference Janet Marinelli, 2016-06-28 The ultimate gardening reference work compiled by two dozen of the world's leading plant experts under the auspices of one of the world's greatest botanical gardens Brooklyn Botanic Garden Gardener's Desk Reference is a milestone in garden publishing the kind of groundbreaking work that appears once in a lifetime No gardening reference ever has combined this scope of information in a single volume The coverage in most gardening reference books falls into a few standard horticultural categories The Gardener's Desk Reference unlocks the door to a vast assortment of plant knowledge from around the world There is enough information in this single volume to serve any plant enthusiast beginning and professional alike over a lifetime For easy use the wide ranging material is divided into twenty different sections such as Botany for Gardeners Kitchen Gardening The Horticultural Traveler Weights Measures and Conversions The hundreds of indispensable sidebars graphs tables plant lists maps and illustrations found throughout the reference make it even more accessible and attractive To do justice to the continent's breathtaking diversity of climates and plant communities all plant lists are organized by region and every recommended species or cultivar has been chosen by an experienced landscaper tested by years of gardening in the area Never before have gardeners had access to the breadth and quality of information in this authoritative reference

An Introduction to Botany Carl von Linné, James Lee, 1776

Preparing for the Biology AP Exam Neil A. Campbell, Jane B. Reece, Fred W. Holtzclaw, Theresa Knapp Holtzclaw, 2009-11-03 Fred and Theresa Holtzclaw bring over 40 years of AP Biology teaching experience to this student manual Drawing on their rich experience as readers and faculty consultants to the College Board and their participation on the AP Test Development Committee the Holtzclaws have designed their resource to help your students prepare for the AP Exam Completely revised to match the new 8th edition of Biology by Campbell and Reece New Must Know sections in each chapter focus student attention on major concepts Study tips information organization ideas and misconception warnings are interwoven throughout New section reviewing the 12 required AP labs Sample practice exams The secret to success on the AP Biology exam is to understand what you must know and these experienced AP teachers will guide your students toward top scores

The Botany of Desire Michael Pollan, 2002-05-28 Pollan shines a light on our own nature as well as on our implication in the natural world The New York Times A wry informed pastoral The New Yorker The book that helped make Michael Pollan the New York Times bestselling author of *How to Change Your Mind* *Cooked* and *The Omnivore's Dilemma* one of the most trusted food experts in America Every schoolchild learns about the mutually beneficial dance of honeybees and flowers The bee collects nectar and pollen to make honey and in the process spreads the flowers genes far and wide In *The Botany of Desire* Michael Pollan ingeniously demonstrates how people and domesticated plants have formed a similarly reciprocal relationship He masterfully links four fundamental human desires sweetness beauty intoxication and control with the plants that satisfy them the apple the tulip marijuana and the potato In telling the stories of four familiar species Pollan illustrates how the plants have evolved to satisfy humankind's most basic yearnings And just as we've benefited from these plants we have also done well by them So who is really domesticating whom

The Role of Theory in Advancing 21st-Century Biology National Research Council, Division on Earth and Life Studies, Board on Life Sciences, Committee on Defining and Advancing the Conceptual Basis of Biological Sciences in the 21st Century, 2008-01-22 Although its importance is not always recognized theory is an integral part of all biological research Biologists theoretical and conceptual frameworks inform every step of their research affecting what experiments they do what techniques and technologies they develop and use and how they interpret their data By examining how theory can help biologists answer questions like What are the engineering principles of life or How do cells really work the report shows how theory synthesizes biological knowledge from the molecular level to the level of whole ecosystems The book concludes that theory is already an inextricable thread running throughout the practice of biology but that explicitly giving theory equal status with other components of biological research could help catalyze transformative research that will lead to creative dynamic and innovative advances in our understanding of life

Campbell Biology, Books a la Carte Edition Lisa A. Urry, Michael L. Cain, Steven A. Wasserman, Jane B. Reece, Peter V. Minorsky, 2016-10-27 NOTE This edition features the same content as the traditional text in a convenient three hole punched loose leaf version Books a la Carte also offer a great value this format costs significantly less than a new textbook The Eleventh Edition of the best selling text Campbell BIOLOGY sets you on the path to success in biology through its clear and engaging narrative superior skills instruction and innovative use of art photos and fully integrated media resources to enhance teaching and learning To engage you in developing a deeper understanding of biology the Eleventh Edition challenges you to apply knowledge and skills to a variety of NEW hands on activities and exercises in the text and online NEW Problem Solving Exercises challenge you to apply scientific skills and interpret data in the context of solving a real world problem NEW Visualizing Figures and Visual Skills Questions provide practice interpreting and creating visual representations in biology NEW Content updates throughout the text reflect rapidly evolving research in the fields of genomics gene editing technology CRISPR microbiomes the impacts of climate change across the biological hierarchy and more Significant revisions have been made to Unit 8 Ecology including a deeper integration of evolutionary principles NEW A virtual layer to the print text incorporates media references into the printed text to direct you towards content in the Study Area and eText that will help you prepare for class and succeed in exams Videos Animations Get Ready for This Chapter Figure Walkthroughs Vocabulary Self Quizzes Practice Tests MP3 Tutors and Interviews Coming summer 2017 NEW QR codes and URLs within the Chapter Review provide easy access to Vocabulary Self Quizzes and Practice Tests for each chapter that can be used on smartphones tablets and computers

The Top Books of the Year Chapter 22 Plant Diversity Guided Reading Answer Key The year 2023 has witnessed a noteworthy surge in literary brilliance, with numerous engrossing novels captivating the hearts of readers worldwide. Lets delve into the realm of bestselling books, exploring the engaging narratives that have enthralled audiences this year. The Must-Read : Colleen Hoover's "It Ends with Us" This poignant tale of love, loss, and resilience has gripped readers with its raw and emotional exploration of domestic abuse. Hoover masterfully weaves a story of hope and healing, reminding us that even in the darkest of times, the human spirit can triumph. Uncover the Best : Taylor Jenkins Reids "The Seven Husbands of Evelyn Hugo" This spellbinding historical fiction novel unravels the life of Evelyn Hugo, a Hollywood icon who defies expectations and societal norms to pursue her dreams. Reids compelling storytelling and compelling characters transport readers to a bygone era, immersing them in a world of glamour, ambition, and self-discovery. Chapter 22 Plant Diversity Guided Reading Answer Key : Delia Owens "Where the Crawdads Sing" This evocative coming-of-age story follows Kya Clark, a young woman who grows up alone in the marshes of North Carolina. Owens spins a tale of resilience, survival, and the transformative power of nature, captivating readers with its evocative prose and mesmerizing setting. These bestselling novels represent just a fraction of the literary treasures that have emerged in 2023. Whether you seek tales of romance, adventure, or personal growth, the world of literature offers an abundance of captivating stories waiting to be discovered. The novel begins with Richard Pape, a bright but troubled young man, arriving at Hampden College. Richard is immediately drawn to the group of students who call themselves the Classics Club. The club is led by Henry Winter, a brilliant and charismatic young man. Henry is obsessed with Greek mythology and philosophy, and he quickly draws Richard into his world. The other members of the Classics Club are equally as fascinating. Bunny Corcoran is a wealthy and spoiled young man who is always looking for a good time. Charles Tavis is a quiet and reserved young man who is deeply in love with Henry. Camilla Macaulay is a beautiful and intelligent young woman who is drawn to the power and danger of the Classics Club. The students are all deeply in love with Morrow, and they are willing to do anything to please him. Morrow is a complex and mysterious figure, and he seems to be manipulating the students for his own purposes. As the students become more involved with Morrow, they begin to commit increasingly dangerous acts. The Secret History is a brilliant and gripping novel that will keep you speculating until the very end. The novel is a warning tale about the dangers of obsession and the power of evil.

https://offsite.creighton.edu/book/uploaded-files/fetch.php/ktm_workshop_manual_pdf.pdf

https://offsite.creighton.edu/book/uploaded-files/fetch.php/kiki_one_piece.pdf

<https://offsite.creighton.edu/book/uploaded-files/fetch.php/Lancaster%20County%20Map%20Pa.pdf>

Table of Contents Chapter 22 Plant Diversity Guided Reading Answer Key

1. Understanding the eBook Chapter 22 Plant Diversity Guided Reading Answer Key
 - The Rise of Digital Reading Chapter 22 Plant Diversity Guided Reading Answer Key
 - Advantages of eBooks Over Traditional Books
2. Identifying Chapter 22 Plant Diversity Guided Reading Answer Key
 - Exploring Different Genres
 - Considering Fiction vs. Non-Fiction
 - Determining Your Reading Goals
3. Choosing the Right eBook Platform
 - Popular eBook Platforms
 - Features to Look for in an Chapter 22 Plant Diversity Guided Reading Answer Key
 - User-Friendly Interface
4. Exploring eBook Recommendations from Chapter 22 Plant Diversity Guided Reading Answer Key
 - Personalized Recommendations
 - Chapter 22 Plant Diversity Guided Reading Answer Key User Reviews and Ratings
 - Chapter 22 Plant Diversity Guided Reading Answer Key and Bestseller Lists
5. Accessing Chapter 22 Plant Diversity Guided Reading Answer Key Free and Paid eBooks
 - Chapter 22 Plant Diversity Guided Reading Answer Key Public Domain eBooks
 - Chapter 22 Plant Diversity Guided Reading Answer Key eBook Subscription Services
 - Chapter 22 Plant Diversity Guided Reading Answer Key Budget-Friendly Options
6. Navigating Chapter 22 Plant Diversity Guided Reading Answer Key eBook Formats
 - ePub, PDF, MOBI, and More
 - Chapter 22 Plant Diversity Guided Reading Answer Key Compatibility with Devices
 - Chapter 22 Plant Diversity Guided Reading Answer Key Enhanced eBook Features
7. Enhancing Your Reading Experience
 - Adjustable Fonts and Text Sizes of Chapter 22 Plant Diversity Guided Reading Answer Key
 - Highlighting and Note-Taking Chapter 22 Plant Diversity Guided Reading Answer Key
 - Interactive Elements Chapter 22 Plant Diversity Guided Reading Answer Key
8. Staying Engaged with Chapter 22 Plant Diversity Guided Reading Answer Key

- Joining Online Reading Communities
 - Participating in Virtual Book Clubs
 - Following Authors and Publishers Chapter 22 Plant Diversity Guided Reading Answer Key
9. Balancing eBooks and Physical Books Chapter 22 Plant Diversity Guided Reading Answer Key
- Benefits of a Digital Library
 - Creating a Diverse Reading Collection Chapter 22 Plant Diversity Guided Reading Answer Key
10. Overcoming Reading Challenges
- Dealing with Digital Eye Strain
 - Minimizing Distractions
 - Managing Screen Time
11. Cultivating a Reading Routine Chapter 22 Plant Diversity Guided Reading Answer Key
- Setting Reading Goals Chapter 22 Plant Diversity Guided Reading Answer Key
 - Carving Out Dedicated Reading Time
12. Sourcing Reliable Information of Chapter 22 Plant Diversity Guided Reading Answer Key
- Fact-Checking eBook Content of Chapter 22 Plant Diversity Guided Reading Answer Key
 - Distinguishing Credible Sources
13. Promoting Lifelong Learning
- Utilizing eBooks for Skill Development
 - Exploring Educational eBooks
14. Embracing eBook Trends
- Integration of Multimedia Elements
 - Interactive and Gamified eBooks

Chapter 22 Plant Diversity Guided Reading Answer Key Introduction

Free PDF Books and Manuals for Download: Unlocking Knowledge at Your Fingertips In today's fast-paced digital age, obtaining valuable knowledge has become easier than ever. Thanks to the internet, a vast array of books and manuals are now available for free download in PDF format. Whether you are a student, professional, or simply an avid reader, this treasure trove of downloadable resources offers a wealth of information, conveniently accessible anytime, anywhere. The advent of online libraries and platforms dedicated to sharing knowledge has revolutionized the way we consume information. No longer confined to physical libraries or bookstores, readers can now access an extensive collection of digital books and

manuals with just a few clicks. These resources, available in PDF, Microsoft Word, and PowerPoint formats, cater to a wide range of interests, including literature, technology, science, history, and much more. One notable platform where you can explore and download free Chapter 22 Plant Diversity Guided Reading Answer Key PDF books and manuals is the internet's largest free library. Hosted online, this catalog compiles a vast assortment of documents, making it a veritable goldmine of knowledge. With its easy-to-use website interface and customizable PDF generator, this platform offers a user-friendly experience, allowing individuals to effortlessly navigate and access the information they seek. The availability of free PDF books and manuals on this platform demonstrates its commitment to democratizing education and empowering individuals with the tools needed to succeed in their chosen fields. It allows anyone, regardless of their background or financial limitations, to expand their horizons and gain insights from experts in various disciplines. One of the most significant advantages of downloading PDF books and manuals lies in their portability. Unlike physical copies, digital books can be stored and carried on a single device, such as a tablet or smartphone, saving valuable space and weight. This convenience makes it possible for readers to have their entire library at their fingertips, whether they are commuting, traveling, or simply enjoying a lazy afternoon at home. Additionally, digital files are easily searchable, enabling readers to locate specific information within seconds. With a few keystrokes, users can search for keywords, topics, or phrases, making research and finding relevant information a breeze. This efficiency saves time and effort, streamlining the learning process and allowing individuals to focus on extracting the information they need. Furthermore, the availability of free PDF books and manuals fosters a culture of continuous learning. By removing financial barriers, more people can access educational resources and pursue lifelong learning, contributing to personal growth and professional development. This democratization of knowledge promotes intellectual curiosity and empowers individuals to become lifelong learners, promoting progress and innovation in various fields. It is worth noting that while accessing free Chapter 22 Plant Diversity Guided Reading Answer Key PDF books and manuals is convenient and cost-effective, it is vital to respect copyright laws and intellectual property rights. Platforms offering free downloads often operate within legal boundaries, ensuring that the materials they provide are either in the public domain or authorized for distribution. By adhering to copyright laws, users can enjoy the benefits of free access to knowledge while supporting the authors and publishers who make these resources available. In conclusion, the availability of Chapter 22 Plant Diversity Guided Reading Answer Key free PDF books and manuals for download has revolutionized the way we access and consume knowledge. With just a few clicks, individuals can explore a vast collection of resources across different disciplines, all free of charge. This accessibility empowers individuals to become lifelong learners, contributing to personal growth, professional development, and the advancement of society as a whole. So why not unlock a world of knowledge today? Start exploring the vast sea of free PDF books and manuals waiting to be discovered right at your fingertips.

FAQs About Chapter 22 Plant Diversity Guided Reading Answer Key Books

How do I know which eBook platform is the best for me? Finding the best eBook platform depends on your reading preferences and device compatibility. Research different platforms, read user reviews, and explore their features before making a choice. Are free eBooks of good quality? Yes, many reputable platforms offer high-quality free eBooks, including classics and public domain works. However, make sure to verify the source to ensure the eBook credibility. Can I read eBooks without an eReader? Absolutely! Most eBook platforms offer webbased readers or mobile apps that allow you to read eBooks on your computer, tablet, or smartphone. How do I avoid digital eye strain while reading eBooks? To prevent digital eye strain, take regular breaks, adjust the font size and background color, and ensure proper lighting while reading eBooks. What the advantage of interactive eBooks? Interactive eBooks incorporate multimedia elements, quizzes, and activities, enhancing the reader engagement and providing a more immersive learning experience. Chapter 22 Plant Diversity Guided Reading Answer Key is one of the best book in our library for free trial. We provide copy of Chapter 22 Plant Diversity Guided Reading Answer Key in digital format, so the resources that you find are reliable. There are also many Ebooks of related with Chapter 22 Plant Diversity Guided Reading Answer Key. Where to download Chapter 22 Plant Diversity Guided Reading Answer Key online for free? Are you looking for Chapter 22 Plant Diversity Guided Reading Answer Key PDF? This is definitely going to save you time and cash in something you should think about. If you trying to find then search around for online. Without a doubt there are numerous these available and many of them have the freedom. However without doubt you receive whatever you purchase. An alternate way to get ideas is always to check another Chapter 22 Plant Diversity Guided Reading Answer Key. This method for see exactly what may be included and adopt these ideas to your book. This site will almost certainly help you save time and effort, money and stress. If you are looking for free books then you really should consider finding to assist you try this. Several of Chapter 22 Plant Diversity Guided Reading Answer Key are for sale to free while some are payable. If you arent sure if the books you would like to download works with for usage along with your computer, it is possible to download free trials. The free guides make it easy for someone to free access online library for download books to your device. You can get free download on free trial for lots of books categories. Our library is the biggest of these that have literally hundreds of thousands of different products categories represented. You will also see that there are specific sites catered to different product types or categories, brands or niches related with Chapter 22 Plant Diversity Guided Reading Answer Key. So depending on what exactly you are searching, you will be able to choose e books to suit your own need. Need to access completely for Campbell Biology Seventh Edition book? Access Ebook without any digging. And by having access to our ebook online or by storing it on your computer, you have convenient answers with Chapter 22 Plant Diversity Guided Reading Answer Key To get started finding Chapter 22 Plant Diversity Guided Reading Answer Key, you are right to find our website which has a comprehensive collection of books online. Our library is the biggest of these that have

literally hundreds of thousands of different products represented. You will also see that there are specific sites catered to different categories or niches related with Chapter 22 Plant Diversity Guided Reading Answer Key So depending on what exactly you are searching, you will be able to choose ebook to suit your own need. Thank you for reading Chapter 22 Plant Diversity Guided Reading Answer Key. Maybe you have knowledge that, people have search numerous times for their favorite readings like this Chapter 22 Plant Diversity Guided Reading Answer Key, but end up in harmful downloads. Rather than reading a good book with a cup of coffee in the afternoon, instead they juggled with some harmful bugs inside their laptop. Chapter 22 Plant Diversity Guided Reading Answer Key is available in our book collection an online access to it is set as public so you can download it instantly. Our digital library spans in multiple locations, allowing you to get the most less latency time to download any of our books like this one. Merely said, Chapter 22 Plant Diversity Guided Reading Answer Key is universally compatible with any devices to read.

Find Chapter 22 Plant Diversity Guided Reading Answer Key :

~~ktm-workshop-manual-pdf~~

kiki one piece

~~lancaster-county-map-pa~~

karpus family playground

~~la-segunda-venida-de-cristo~~

kings dominion silver pass

labeling blood vessels

l ange du mal

~~korra-clearing-the-air~~

label the skeletal system

kraken concept art

kenmore elite repair

kristin hannah top books

khan academy context clues

~~la-hora-primer-a-en-la-biblia~~

Chapter 22 Plant Diversity Guided Reading Answer Key :

[zambia national service recruitment at zambia national service](#) - Jun 05 2023

web oct 24 2022 job description zambia national service direct entrants officers regular officers 1 join a challenging career under zambia national service as a regular officer candidates must possess the following qualifications a must be a zambian citizen and holder of a valid green national registration card nrc b

[zambia national service is currently recruiting regular officer](#) - Jun 24 2022

web oct 3 2020 join a challenging career with the zambia national service as a regular officer candidates must meet the following qualifications 1 must be a zambian citizen and holder of a green national registration card 2 must be a holder of a grade twelve 12 school certificate with 12 points or better including english and mathematics

zambia national service recruitment 2023 2024 job application - Apr 22 2022

web oct 27 2023 the official portal for zambia national service recruitment in 2023 is zns mil zm log in to this website to partake in the current recruitment process navigating the zns mil zm application portal is

[zambia national service recruitment job search zambia](#) - Nov 29 2022

web zambia national service recruitment servicemen women are you a zambian citizen looking for a challenging career look no further zns is looking for energetic young artisans and those in the category of general duties men and women to join the service as recruits in the following fields 1 artisans craftsmen a bricklaying and plastering

[zns shortlisted candidates 2023 2024 is out recruitment file](#) - Oct 09 2023

web feb 22 2023 when is zns screening date 2023 2024 zambia national service recently conducted a recruitment exercise i m sure you applied that is why you re interested in downloading the shortlisted candidates here s a comprehensive detail about zambia national service recruitment

regular officers zambia national service - Mar 02 2023

web candidates must meet the following qualifications 1 must be a zambia citizen and holder of a green national registration card 2 must be a holder of a grade twelve 12 school certificate with 12 points or better including english and mathematics 5 minimum height of 1 6 metres for males and 1 57 metres for females

zambia national service recruitment 2014 2022 ai classmonitor - Aug 27 2022

web zambia national service recruitment 2014 1 zambia national service recruitment 2014 international sports volunteering zambia trafficking in persons report 2017 education in east and central africa disease control priorities third edition volume 6 citizenship law in africa 3rd edition propaganda and public relations in military

zns recruitment 2024 2025 application form portal logic - Feb 18 2022

web oct 25 2023 zambia national service has been undergoing massive recruitment intake annually for the past years we ve

received numerous requests from aspirants on various platforms yearning for legitimate information about the zambia national service application form and guidelines for 2024 2025

zambia national service recruitment form 2023 2024 zns - Mar 22 2022

web jul 20 2023 zambia national service recruitment form 2023 do you want to work with zns or you want know about their recruitment process if yes the answers are not far from you this platform will guide you on the recruitment process how to apply eligible province to apply screening date and closing date

zambia national service recruitment selected applicant 2023 2024 - May 24 2022

web we are pleased to inform you about zambia national service recruitment selected candidates 2023 2024 the zambia national service abbreviated as zns is part of the zambian defence force whose primary objective is

zambia national service zns recruitment updates only facebook - May 04 2023

web are you interested in joining the zambia national service a part of the zambian defense force do you want to connect with other zns members and share your experiences and insights join this facebook group and get access to exclusive posts photos videos and more this is the official group for the zambia national service

zns recruitment shortlisted candidates 2024 2025 pdf - Sep 27 2022

web oct 2 2023 important zambia national service zns has not yet released the names of shortlisted candidates for its 2024 2025 recruitment disregard any form of advert you come across this page will be updated immediately after the zambia national service zns shortlisted candidates 2024 2025 recruitment is out what s your take

zns recruitment advert the zambian observer - Feb 01 2023

web oct 23 2022 the zambia national service zns is inviting prospective candidates wishing to join the service to look out for the recruitment advert in the times of zambia and daily mail note multiple applications will result in disqualification no application should be delivered to zambia national service headquarters oposit pamodzi hotel

zambia national service a force for national development - Jul 06 2023

web zns act mandates the zambia national service to train citizens to serve the republic and employ its members in tasks of national importance which include service and defense of the republic over time the roles have expanded to include among others agricultural livestock and aquaculture industrial production

zambia national service zns recruitment advert flatprofile - Sep 08 2023

web zambia national service zns recruitment advert admin the zambia national service zns is inviting prospective candidates wishing to join the service to look out for the recruitment advert here

zambia national service lusaka facebook - Aug 07 2023

web zambia national service lusaka zambia 39 269 likes 2 085 talking about this the zambia national service abbreviated zns

is part of the zambian defense force

zambia national service wikipedia - Apr 03 2023

web the zambia national service abbreviated zns is part of the zambian defence force has been a cornerstone of national development since its establishment in 1971 through an act of parliament 3 4 committed to the twin objectives of training civilian and safeguarding the territorial integrity of zambia 5 6 7 the zns act empowers them

zambia national service recruitment 2014 copy stage gapinc - Oct 29 2022

web zambia national service recruitment 2014 5 5 relations and media professionals in the production and distribution of recruitment promotion this book the first of its kind to be published will explore that role and in the process address two questions that are central to studies of media and conflict how do militaries encourage civilians

home ministry of defence - Dec 31 2022

web zambia national service the zambia national service zns is part of the zambian defence force it s main objectives revolve around land development agriculture industries youth skills training as well as arts sports and culture

zambia national service recruitment 2023 2024 application - Jul 26 2022

web jun 27 2023 to this end zambia national service recruitment for 2023 2024 will soon commence interested persons are to visit the online application portal to submit their form the major goal of the zambia national service often known as zns a division of the zambian defense force is to teach agricultural and artisan skills to zambian civilians

accounting scope midyear orientation sutd edu sg - Nov 07 2022

web accounting scope midyear accounting scope midyear 2014 mid year accounting scope faith e4gle org midyear exam scope grade 12 2015 life orientation 2014 mid year accounting scope by souhei matsuoaka 2014 mid year accounting scope pdf download scope 2015 midyear matric history paper 1 kvaser de free download here

accounting scope midyear - Apr 12 2023

web 4 accounting scope midyear 2020 07 31 and finance the material is drawn from a combination of fieldwork and practical experience the managerial emphasis means that the content is fully relevant internationally and not constrained by the legal framework of different countries accounting and finance provides an overview of analysis and

accounting scope midyear cyberlab sutd edu sg - Dec 08 2022

web countries accounting and finance provides an overview of analysis and evaluation of performance planning methods and techniques financial information and control financial management it also shows how operational analysis can be used as a management tool to improve performance techniques

accounting scope midyear pdf tax clone ortax org - Feb 10 2023

web accounting scope midyear pdf pages 2 5 accounting scope midyear pdf upload arnold r boyle 2 5 downloaded from tax

clone ortax org on september 3 2023 by arnold r boyle study texts practice revision kits and ipass for cbe papers only are subject to a thorough acca examining team review our suite

accounting scope in business government personal life - Aug 04 2022

web jun 24 2023 the scope of accounting is wide and extends in business trade government financial institutions individuals and families and every other arena the accounting principle is used in every step many think the accounting scope is only limited to financial transactions of a business concern but in fact it is not true

meaning and scope of accounting vedantu - Jun 02 2022

web sep 11 2023 this type of accounting can help managers take a good look at their employees and make better decisions students can find more information from the meaning and scope of management accounting notes cost accounting some students also need to know about the meaning and scope of cost accounting if they want to score good

international accounting section midyear meeting american accounting - Aug 16 2023

web learning objectives recognize and understand new and emerging developments in international auditing standards identify the consequences of widespread adoption of ifrs on global capital markets understand the effects of auditor attributes and national regulations on audit quality

accounting scope midyear jetpack theaoi - May 01 2022

web accounting scope midyear pdf download fidgetcube shopcom accounting scope midyear accounting scope midyear tmollyde read and download accounting scope 2014 mid year accounting scope pdf download pdf download 2014 mid year accounting scope 1 introduction this paper provides an overview of the research on

accounting scope midyear pdf download only - Jan 09 2023

web jun 28 2023 accounting scope midyear pdf getting the books accounting scope midyear pdf now is not type of challenging means you could not solitary going later book amassing or library or borrowing from your connections to get into them this is an agreed simple means to specifically acquire lead by on line this online statement accounting

mid year convention dcf and mid year discounting breaking - Jul 15 2023

web premium course mid year convention definition when you use the mid year convention in a discounted cash flow dcf analysis you assume that the company s cash flows arrive halfway through each year rather than at the end more accurately reflecting reality and boosting the company s implied value in the dcf

accounting scope midyear pdf book hipertexto udem edu co - Mar 11 2023

web accounting scope midyear pdf yeah reviewing a book accounting scope midyear pdf could mount up your near connections listings this is just one of the solutions for you to be successful as understood skill does not suggest that you have astonishing points comprehending as competently as pact even more than other will find the money for

midyear acquisitions invested capital adjustment new constructs - Jul 03 2022

web sep 5 2013 in 2012 alone we found 1 139 companies with midyear acquisition adjustments totaling over 343 billion for all years our database contains 3 773 instances of acquisition adjustments totaling over 1 trillion since our midyear acquisition adjustments decrease invested capital companies with significant midyear acquisition adjustments

scope on linkedin scopepecfo midyeartaxreview taxes - Feb 27 2022

web a mid year tax review is a powerful financial compass guiding you through the ever evolving landscape of taxation it empowers you to seize opportunities avoid pitfalls and stay on

[where to download accounting scope midyear pdf file free](#) - Oct 06 2022

web jul 10 2023 accounting scope midyear is available in our digital library an online access to it is set as public so you can download it instantly our digital library hosts in multiple locations allowing you to get the most less latency time to

scope of accounting abstract meaning scope byju s - Dec 28 2021

web accounting and its scopes financial accounting financial accounting is a particular part of bookkeeping including a course of recording summing up and revealing the horde of exchanges coming about because of business activities throughout some

accounting scope midyear bespoke cityam - Mar 31 2022

web accounting scope midyear by online along with instructions you could relish the now is accounting scope midyear below it will certainly misuse the period in the home office or perhaps in

[accounting scope midyear orientation sutd edu sg](#) - Sep 05 2022

web accounting review 2014 mid year accounting scope bidfrenzy co accounting scope midyear pdf download fidgetcube shop com scope 2015 midyear matric history paper 1 kvaser de accounting midyear exam grade 12 for 2015 memorandum 2023 management accounting section midyear meeting - May 13 2023

web 2023 management accounting section midyear meeting research conference ima doctoral colloquium and virtual aicpa cgma teaching symposium register today please make plans to join us for the 2023 management accounting section midyear meeting which will be held in atlanta georgia at the emory conference center hotel on

accounting scope midyear uniport edu ng - Jan 29 2022

web jun 8 2023 accounting scope midyear 1 1 downloaded from uniport edu ng on june 8 2023 by guest accounting scope midyear if you ally dependence such a referred accounting scope midyear books that will present you worth get the unconditionally best seller from us currently from several preferred authors

[accounting and broad scope engagement leveraging ifac](#) - Jun 14 2023

web apr 6 2021 accounting and broad scope engagement leveraging interdisciplinary and multidisciplinary approaches

garry carnegie lee parker april 27 2023 in an earlier knowledge gateway article entitled redefining accounting for tomorrow
6 april 2021 it is argued how we define accounting today and what defines accounting tomorrow are

a philosophy of software design - Mar 29 2022

web the increments of software development should be abstractions not features
 web the increments of software development should be abstractions not features

a philosophy of software design 2nd edition - Nov 05 2022

web aug 1 2018 9 1k 423k views 5 years ago john ousterhout professor of computer science at stanford university discusses
complex techniques on how to become a more

a philosophy of software design speaker deck - Nov 24 2021

a philosophy of software design guide books acm digital - Mar 09 2023

web this book addresses the topic of software design how to decompose complex software systems into modules such as
classes and methods that can be implemented relatively

software design book stanford university - Aug 14 2023

web apr 12 2023 in july of 2021 i released the second edition of a philosophy of software design this edition is available on
amazon in both paperback and electronic form there are only a few significant changes from the first edition

a philosophy of software design paperback 6 april 2018 - Jan 27 2022

web oct 20 2020 a philosophy of software design by john ousterhout

a philosophy of software design by john ousterhout - Feb 08 2023

web jan 1 2018 this book addresses the topic of software how to decompose complex software systems into modules such as
classes and methods that can be implemented

unveiling the philosophy of software design a guide for - Oct 04 2022

web a philosophy of software design john k ousterhout yaknyam press 2018 computer software 178 pages this book
addresses the topic of software design how to

[a philosophy of software design guide books acm digital](#) - Apr 10 2023

web the book first introduces the fundamental problem in software design which is managing complexity it then discusses
philosophical issues about how to approach the software

a philosophy of software design 2nd edition open library - May 31 2022

web apr 29 2022 a philosophy of software design book summary notes 29 04 2022 notes summary 19 min read this is my
summary and notes from a philosophy of

a philosophy of software design google books - Jul 01 2022

web this book addresses the topic of software design how to decompose complex software systems into modules such as classes and methods that can be implemented relatively

a philosophy of software design my take and a book - Dec 06 2022

web feb 8 2022 by john ousterhout addeddate 2022 02 08 05 11 44 identifier a philosophy of software design identifier ark ark 13960 s2dgqvjx071 ocr tesseract

publications stanford university - Apr 29 2022

web this book addresses the topic of software design how to decompose complex software systems into modules such as classes and methods that can be implemented relatively

□□□□□□ □□□□ □□□□□□ □□□ - Oct 24 2021

a philosophy of software design milkov tech - Jun 12 2023

web have been valuable but the core problem of software design is still largely untouched david parnas classic paper on the criteria to be used in decomposing systems into

software design book stanford university - Jul 13 2023

web nov 16 2021 in july of 2021 i released the second edition of a philosophy of software design this edition is available on amazon in both paperback and electronic form

a philosophy of software design 2nd edition anna s archive - May 11 2023

web a philosophy of software design 2nd edition jyaknyam press 2 2021 john k ousterhout this book addresses the topic of software design how to decompose

a philosophy of software design archive org - Sep 03 2022

web jul 26 2021 a philosophy of software design 2nd edition by john ousterhout jul 26 2021 yaknyam press edition paperback

a philosophy of software design amazon com - Jan 07 2023

web aug 11 2023 to create software that is not only functional but also maintainable and scalable developers embrace a philosophy of software design this philosophy

a philosophy of software design book summary notes - Feb 25 2022

web apr 15 2022 a philosophy of software design □30□□□□□□□□□□ understand roughly philosophy of software design in 30 minutes ntt communications □□□□

□□ a philosophy of software design □□ □□□□ - Dec 26 2021

[a philosophy of software design john ousterhout youtube](#) - Aug 02 2022

web oct 6 2022 publications books j ousterhout a philosophy of software design yaknyam press april 2018 178 pages j

ousterhout tcl and the tk toolkit addison