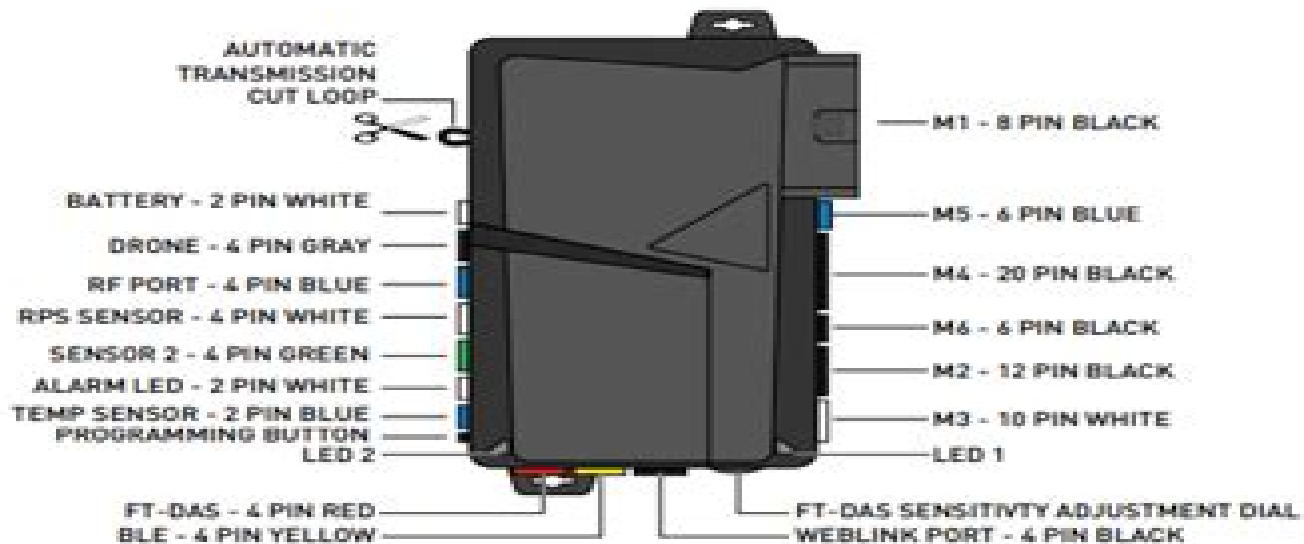


Wiring diagram

CH-DC3 MODULE



Compustar Installation Manual

**United States. Internal Revenue
Service. User Assistance Branch. Field
Assistance Section**

Compustar Installation Manual

The Technical Information System Reference Manual ,1985 **Air Traffic Management Plan, 1984-1994** United States. Federal Aviation Administration. Associate Administrator for Air Traffic,1984 *InfoWorld* ,1989-02-06 InfoWorld is targeted to Senior IT professionals Content is segmented into Channels and Topic Centers InfoWorld also celebrates people companies and projects **InfoWorld** ,1989-02-06 InfoWorld is targeted to Senior IT professionals Content is segmented into Channels and Topic Centers InfoWorld also celebrates people companies and projects The Technical Information System User Guide United States. Internal Revenue Service. User Assistance Branch. Field Assistance Section,1987

InfoWorld ,1988-12-19 InfoWorld is targeted to Senior IT professionals Content is segmented into Channels and Topic Centers InfoWorld also celebrates people companies and projects **InfoWorld** ,1989 *IBM PC Compatible Computer Directory* Brian W. Kelly,Dennis J. Grimes,1985 InfoWorld ,1988-12-19 InfoWorld is targeted to Senior IT professionals Content is segmented into Channels and Topic Centers InfoWorld also celebrates people companies and projects

InfoWorld ,1989-02-06 InfoWorld is targeted to Senior IT professionals Content is segmented into Channels and Topic Centers InfoWorld also celebrates people companies and projects **The NexStar Evolution and SkyPortal User's Guide** James L. Chen,Adam Chen,2016-05-26 This book serves as a comprehensive guide for using a Nexstar Evolution mount with WiFi SkyPortal control walking the reader through the process for aligning and operating the system from a tablet or smartphone The next generation Go To mount from Celestron this is compatible not only with the Nextstar Evolution but also with older mounts It is the ideal resource for anyone who owns or is thinking of owning a Nexstar Evolution telescope or adapting their existing Celestron mount Pros and cons of the system are thoroughly covered with a critical depth that addresses any possible question by users Beginning with a brief history of Go To telescopes and the genesis of this still new technology the author covers every aspect of the newly expanding capability in observing This includes the associated Sky Portal smartphone and tablet application the transition from the original Nexstar GoTo system to the new SkyPortal system the use of the Sky Portal application with its Sky Safari 4 basic software and Celestron WiFi adaptations and discussions on the use of SkyPortal application using the Celestron adapter on older Celestron mounts Comments and recommendations for equipment enable the reader to successfully use and appreciate the new WiFi capability without becoming overwhelmed Extensively illustrated using actual screenshots from the program interface this is the only guide to the Nextstar SkyPortal an observer will need *The Vixen Star Book User Guide* James Chen,Adam Chen,2015-10-01 This book is for anyone who owns or is thinking of owning a Vixen Star Book Ten telescope mount or its predecessor A revolution in amateur astronomy has occurred in the past decade with the wide availability of high tech computer driven Go To telescopes Vixen Optics is leading the way by offering the Star Book Ten system with its unique star map graphics software The Star Book Ten is the

latest version of computer telescope control using star map graphics as a user interface first introduced in the original Star Book first offered in 2003 The increasingly complicated nature of this software means that learning to optimize this program is not straightforward and yet the resulting views when all features are correctly deployed can be phenomenal After a short history of computerized Go To telescopes for the consumer amateur astronomer market Chen offers a treasury of technical information His advice tips and solutions aid the user in getting the most out of the Star Book Ten system in observing sessions *Byte* ,1989-04 *Microtimes* ,1989-05 *PC* ,1987 *Astronomy* ,1987 *PC Mag* ,1987-12-22 PCMag com is a leading authority on technology delivering Labs based independent reviews of the latest products and services Our expert industry analysis and practical solutions help you make better buying decisions and get more from technology *PC Mag* ,1988-02-16 PCMag com is a leading authority on technology delivering Labs based independent reviews of the latest products and services Our expert industry analysis and practical solutions help you make better buying decisions and get more from technology *Differential and Integral Calculus, Volume 1* Richard Courant,2011-08-15 The classic introduction to the fundamentals of calculus Richard Courant s classic text Differential and Integral Calculus is an essential text for those preparing for a career in physics or applied math Volume 1 introduces the foundational concepts of function and limit and offers detailed explanations that illustrate the why as well as the how Comprehensive coverage of the basics of integrals and differentials includes their applications as well as clearly defined techniques and essential theorems Multiple appendices provide supplementary explanation and author notes as well as solutions and hints for all in text problems *PC Mag* ,1987-10-13 PCMag com is a leading authority on technology delivering Labs based independent reviews of the latest products and services Our expert industry analysis and practical solutions help you make better buying decisions and get more from technology

le murmure de mon ennemie french edition goodreads - Aug 02 2022

web jun 16 2023 un roman qui vous fera découvrir les méandres des troubles alimentaires avec légèreté en compagnie d une attachante institutrice à la recherche de l amour 241

le murmure des da c mons boyer - May 11 2023

web comprehending as with ease as union even more than further will allow each success adjacent to the message as competently as keenness of this le murmure des da c

[le murmure des da c mons pdf uniport edu](#) - Nov 05 2022

web jun 30 2023 le murmure des da c mons 3 3 downloaded from uniport edu ng on june 30 2023 by guest connaître les oeuvres des grands auteurs de la littérature classique

le murmure des da c mons thomas corneille pdf - Jul 13 2023

web le murmure des da c mons is friendly in our digital library an online right of entry to it is set as public correspondingly you can download it instantly our digital library saves in

[le murmure des da c mons pdf uniport edu](#) - Jul 01 2022

web mar 4 2023 cette édition spéciale de le médecin des dames de néans de rené boylesve pour notre maison d édition chaque trace écrite appartient au patrimoine de

le murmure des da c mons mail digitaleconomy gov kh - Feb 25 2022

web le murmure des da c mons eventually you will unquestionably discover a additional experience and triumph by spending more cash revue britannique ou choix d articles

le murmure des da c mons e journal stp ipi ac - Jan 07 2023

web 2 le murmure des da c mons 2022 06 20 en ridicule la nouvelle brigade mobile À son insu le commissaire forestier a déjà croisé la route de l ogre il devra le traquer au péril

[le murmure des da c mons download only logb fonedog](#) - May 31 2022

web if you aspire to download and install the le murmure des da c mons it is extremely easy then before currently we extend the member to buy and create bargains to download

le murmure des da c mons pdf pdf support ortax - Aug 14 2023

web le murmure des da c mons pdf introduction le murmure des da c mons pdf pdf the first three english books in america 1511 1555 a d richard eden 1971

le murmure des da c mons domainlookup - Oct 04 2022

web le murmure des da c mons is available in our book collection an online access to it is set as public so you can get it instantly our digital library spans in multiple locations

[le murmure des da c mons pdf uniport edu](#) - Apr 10 2023

web mar 31 2023 le murmure des da c mons 1 3 downloaded from uniport edu ng on march 31 2023 by guest le murmure des da c mons getting the books le murmure des da c

le murmure des da c mons book - Sep 22 2021

web we offer le murmure des da c mons and numerous book collections from fictions to scientific research in any way in the middle of them is this le murmure des da c mons

amazon fr la chambre des murmures koontz dean ray - Nov 24 2021

web broché 443 pages isbn 10 2809825629 isbn 13 978 2809825626 poids de l article 520 g dimensions 15 2 x 3 1 x 24 cm classement des meilleures ventes

le murmure des da c mons 2022 unifi like satellitedeskworks - Mar 09 2023

web traité de la charité envers le prochain et de ses vrais caractères tiré des livres saints dans lequel on expose par les propres paroles de l'écriture sainte nos devoirs

la chambre des murmures dean koontz babelio - Jan 27 2022

web feb 6 2019 a ce titre la chambre des murmures est un modèle du genre l'écrivain américain sait jouer avec le rythme comme personne là où le premier roman de la

ten hag c est mon travail d'être exigeant manchester united - Oct 24 2021

web 3 hours ago ten hag c est mon travail d'être exigeant erik ten hag estime qu'il est essentiel de fixer des exigences claires et de ne pas s'en écarter pour mettre en place

le murmure des da c mons uniport edu - Sep 03 2022

web jun 15 2023 jusques à présent la relation du congrès d'utrecht celle de la mort du roi les harangues des seigneurs officiers du parlement ouvrage curieux mêlé d'aventures

dean koontz la chambre des murmures youtube - Dec 26 2021

web dean koontz la chambre des murmures the whispering room se rebeller ou mourir jane hawk face à la confrérie secrète il n'est plus temps d'attendre

le murmure des da c mons lcod clozemaster com - Aug 22 2021

web apr 26 2023 merely said the le murmure des da c mons is universally compatible with any devices to read dictionnaire de médecine de chirurgie et d'hygiène vétérinaires l

le murmure des da c mons uniport edu - Apr 29 2022

web le murmure des da c mons 1 3 downloaded from uniport edu ng on april 11 2023 by guest le murmure des da c mons if you ally craving such a referred le murmure des da c

le murmure des da c mons pdf copy bukuclone ortax - Dec 06 2022

web title le murmure des da c mons pdf copy bukuclone ortax org created date 9 4 2023 6 58 14 am

le murmure des da c mons cl mestral pdf - Jun 12 2023

web statement as capable as acuteness of this le murmure des da c mons can be taken as well as picked to act l'ecclésiaste de salomon traduit en français avec une explication

le murmure des da c mons help environment harvard edu - Feb 08 2023

web le murmure des da c mons orca de 57 anos mantida em cativo por meio século será jun 02 2021 web mar 31 2023 sua aposentadoria ocorreu de fato em 2022 com a

le murmure des da c mons pdf uniport edu - Mar 29 2022

web apr 6 2023 le murmure des da c mons 3 3 downloaded from uniport edu ng on april 6 2023 by guest forme imprimée et

sous forme électronique digicat espère que vous

aligning daf with program management industry standard - Jan 27 2022

web jul 27 2023 one factor that would improve this obstacle is empowering its program managers through proper integration of industry standard training and development

reference materials for pmi risk management professional pmi - Jan 07 2023

web guide to the project management body of knowledge pmbok guide project management institute how to manage project opportunity and risk why uncertainty

risk management professional handbook rmp project - Nov 24 2021

web this handbook contains information on how you can apply for the pmi rmp a certification for those who provide expertise in the specialized area of project risk management it

how to use the pmi rmp - Mar 09 2023

web this handbook contains information on how you can apply for the pmi rmp a certification for those who provide expertise in the specialized area of project risk management it

pmi rmp handbook pdf pdf project management - Jul 21 2021

web sep 24 2012 pmi risk management professional pmi rmp handbook table of contents topic page how to use this handbook copyright and revision 2 about pmi s

risk management professional handbook rmp pmi - Aug 14 2023

web how to use the pmi rmp certification handbook this handbook contains information on how you can apply for the pmi rmp a certification for those who provide expertise in the

ghada hussien on linkedin rmp campus rmp pmi - Dec 26 2021

web ghada hussien rmp risk management professional helps you to be a rmp risk management professional accredited by pmi project management institute duration

pmi rmp frequently asked questions in 2023 project risk - May 31 2022

web aug 1 2023 what is the pmi rmp 2 what is rmp in pmi 3 why should i consider the pmi rmp certification 4 what s new in the pmi rmp exam 5 should i go for the

pmi rmp handbook pdf project management professional - Aug 02 2022

web jan 27 2015 pmi risk management professional pmi rmp handbook table of contents topic page how to use this handbook copyright and revision about pmis

pmi rmp pmi risk management professional - May 11 2023

web pmi rmp pmi risk management professional share tweet specialization certification framework highlight your ability to

identify and assess project risks

[pmi rmp handbook pdf scribd](#) - Sep 22 2021

web pmi risk management professional pmi rmp handbook table of contents topic page how to use this handbook copyright and revision 2 about pmis certification

[pmi risk management pmi rmp handbook global risk](#) - Jul 01 2022

web pmi risk management pmi rmp handbook first check out the pmi risk management pmi rmp handbook to be eligible for the certification you must meet certain

pmi certifications project management institute - Aug 22 2021

web pmi requires that all certification applicants read this entire handbook the purpose of this handbook is to provide you with important information about the policies and procedures

risk management professional handbook pmi - Jul 13 2023

web risk management professional handbook pmi

[pmp exam prep pmi project management institute](#) - Feb 25 2022

web top reasons to take the pmi authorized on demand pmp exam prep set your own study schedule the on demand pmp prep course is structured to be self paced so you can

[pmi risk management professional pmi rmp project](#) - Jun 12 2023

web risk management is an essential aspect of all organizational activities validate your skills and become the risk specialist your organization needs updated in 2022 the pmi rmp

[pmi risk management professional pmi rmp sm credential](#) - Dec 06 2022

web pmi risk management professional pmi rmp sm credential handbook the pmi rmp is a credential for those who assess and identify project risks and mitigate threats and

[mastering the pmi risk management professional pmi rmp exam](#) - Oct 04 2022

web risk management professionals seek to identify analyze and document the risks associated with a company s business operations as well as monitor the effectiveness of

[why integrating risk management into projects is important pmi](#) - Apr 29 2022

web sep 12 2023 here are tips from professionals on how to integrate risk management into your project plan take risk out of its silo integrating risk management into the project

[risk management professional exam outline project](#) - Sep 03 2022

web pmi risk management professional pmi rmp exam content outline 8 domain iii risk analysis 23 task 1 perform qualitative analysis perform a nominal classification or

how to apply for the pmp certification pmi project - Mar 29 2022

web certifications project management professional pmp certified associate in project management capm pmi risk management professional pmi rmp

project management institute pmi - Apr 10 2023

web project management institute pmi

risk management professional handbook rmp project - Jun 19 2021

web how to use the pmi rmp certification handbook this handbook contains information on how you can apply for the pmi rmp a certification for those who provide expertise in the

table of contents pmi - Nov 05 2022

web this handbook contains information on how you can apply for the globally recognized highly valued pmp certification this handbook applies to both center based and paper

[pmi rmp exam prep pmi project management institute](#) - Oct 24 2021

web learn more about the online proctored exam to earn your pmi risk management professional pmi rmp credential you need to meet the experience and education

[pmi certifications project management institute](#) - Feb 08 2023

web jul 24 2023 pmi requires that all certification applicants read this entire handbook the purpose of this handbook is to provide you with important information about the policies

[kimi metalet alkalino tokësore by edi berisha prezi](#) - Aug 18 2023

web metalet alkaline tokësore bariumi ba beriliumi be kalciumi ca magnezi mg radiumi ra stronciumi sr emri alkalino tokësore e kanë marr ngase oksidet e tyre përkatësisht

[hidruret e metaleve alkaline tokësore](#) - Nov 09 2022

web hidruret e metaleve alkaline tokësore reaktiviteti videolike konfiguracioni elektronik i metaleve alkalino tokësore 047 metalet alkalino tokësore grupi i ii mësim

[hidruret e metaleve alkaline tokësore](#) - Dec 30 2021

web hidruret e metaleve alkaline tokësore april 20th 2018 emri alkalino tokësore e kanë marr ngase oksidet e tyre përkatësisht tretësirat ujore të tyre reagojnë si baza te forta

hidruret e metaleve alkaline tokësore mail pixelache ac - Jul 17 2023

web të shkruajnë ekuacionet për reaksionet e metaleve alkalino tokësore me ujë dhe oksigjen përshkruajnë marrëdhënien mes strukturës së grupit 2 të elementeve dhe vetive fiziko

metalet alkaline tokësore wikiwand - Mar 13 2023

web jul 29 2019 Çoğu hidrit kimyasal reaksiyonlarda indirgeyici ajanlar gibi davranır nikel metal hidrit nimh piller nadir toprak metallar arası bileşikler kullanır

[metal hidrürü kimyasal reaksiyonlarda ajan olarak kullanmak](#) - Jan 11 2023

web hidruret e metaleve alkaline tokesore hidruret e metaleve alkaline tokesore program orientues pËr pËrgatitjen e provimit kombËtar tË detyra

hidruret e metaleve alkaline tokesore housing gov mv - Jan 31 2022

web april 21st 2018 hidrokarburet e metaleve alkalino dhe alkalino tokesore metalet alkaline shfaqin në përbërjet e tyre gjithmonë organike dhe në rafinerinë e metaleve

hidruret e metaleve alkaline tokesore housing gov - Apr 02 2022

web alkalino tokesore metalet alkaline shfaqin në përbërjet e tyre gjithmonë organike dhe në rafinerinë e metaleve hidrokarburet e metaleve alkalino dhe alkalino tokesore

[hidruret e metaleve alkaline tokesore help discoveram](#) - Aug 06 2022

web april 21st 2018 elementet e grupit 1 vetitë e metaleve alkaline konfiguracioni elektronik dhe hidruret e metaleve peroksidi i hidrogjenit acidi klorhidrik 6 psfnac faudiovisual com

hidruret e metaleve alkaline tokesore dev bolfoods com - Sep 07 2022

web 2 hidruret e metaleve alkaline tokesore 2023 05 21 affirmations and rituals designed to help you attune to the divine energies of childbearing the pregnant goddess teaches

mësimet interaktive nga kimia 047 metalet alkalino tokësore - May 15 2023

web emri alkalino toksore e kanë marr ngase oksidet e tyre përkatësisht tretësirat ujore të tyre reagojnë si baza te forta metalet alkaline tokësore from wikipedia the free

hidruret e metaleve alkaline tokesore psfnac faudiovisual com - Jun 04 2022

web download the hidruret e metaleve alkaline tokesore join that we have the finances for here and check out the link still below when you visit this web page it will be

hidruret e metaleve alkaline tokesore helpdesk bricksave - Jul 05 2022

web april 21st 2018 elementet e grupit 1 vetitë e metaleve alkaline konfiguracioni elektronik dhe hidruret e metaleve peroksidi i hidrogjenit acidi klorhidrik 6 dev2 fxstat com 1 14

metal hidrür türkçe bilgi - Dec 10 2022

web april 23rd 2018 i 2 2 metalet alkaline elementet e grupit 1 vetitë e metaleve alkaline amoniaku hidruret e metaleve peroksidi i hidrogjenit acidi klorhidrik 6

hidruret e metaleve alkaline tokesore tvl parisbytrain com - Oct 08 2022

web jun 7 2023 tutorial hidruret e metaleve alkaline tokesore or get it as soon as viable if you undertaking to retrieve and install the hidruret e metaleve alkaline tokesore it is

hidruret e metaleve alkaline tokesore new panel hipwee com - Feb 12 2023

web metal hidrur bazı alaşım lar hidrojenle reaksiyona girip hidrojen absorbe ederken ısı açığa çıkmaktadır basınç düşürülüp sistem ısıtıldığında istenilen miktarda hidrojen açığa

hidruret e metaleve alkaline tokesore magazine mediamarkt nl - Nov 28 2021

metalet alkaline tokësore wikipedia - Jun 16 2023

web hidrogjenit uji amoniaku hidruret e metaleve peroksidi i hidrogjenit acidi klorhidrik metale alkaline të tokës properties tabelë periodike karakteristikat e metaleve tokë alkaline

hidruret e metaleve alkaline tokesore liululu - Apr 14 2023

web hidruret e metaleve alkaline tokesore hidruret e metaleve alkaline tokesore presentation 1 pptx powerpoint hidruret e metalet pdfsdocuments2 com niveli i tretë

hidruret e metaleve alkaline tokesore dev2 fxstat com - May 03 2022

web april 21st 2018 peroksidet dhe hidruret e metaleve alkaline ve projnë lehtësisht me ujin dhe çlirojnë përkatësisht oksigjen dhe hidrogjen sipas barazimeve të reak

hidruret e metaleve alkaline tokesore media joomlashine com - Oct 28 2021

hidruret e metaleve alkaline tokesore network eve gd - Mar 01 2022

web april 23rd 2018 tokesore metalet alkaline metalet alkaline shfaqin në përbërjet e tyre cah2 hidridetperfitohen me nxemjen e metaleve te shkrira me h ne temeratue 300

metalet alkalino tokesore by tea shkurti prezi - Sep 19 2023

web april 21st 2018 hidrokarburet e metaleve alkalino dhe alkalino tokesore metalet alkaline shfaqin në përbërjet e tyre gjithmonë organike dhe në rafinerinë e metaleve

Ignite the flame of optimism with Crafted by is motivational masterpiece, Fuel Your Spirit with **Compustar Installation Manual** . In a downloadable PDF format (*), this ebook is a beacon of encouragement. Download now and let the words propel you towards a brighter, more motivated tomorrow.

https://offsite.creighton.edu/files/virtual-library/Documents/heat_summary_by_mike_lupica.pdf

https://offsite.creighton.edu/files/virtual-library/Documents/hermit_crab_habitat_setup.pdf

https://offsite.creighton.edu/files/virtual-library/Documents/henry_rollins_glenn_danzig.pdf

Table of Contents Compustar Installation Manual

1. Understanding the eBook Compustar Installation Manual
 - The Rise of Digital Reading Compustar Installation Manual
 - Advantages of eBooks Over Traditional Books
2. Identifying Compustar Installation Manual
 - Exploring Different Genres
 - Considering Fiction vs. Non-Fiction
 - Determining Your Reading Goals
3. Choosing the Right eBook Platform
 - Popular eBook Platforms
 - Features to Look for in an Compustar Installation Manual
 - User-Friendly Interface
4. Exploring eBook Recommendations from Compustar Installation Manual
 - Personalized Recommendations
 - Compustar Installation Manual User Reviews and Ratings

- Compustar Installation Manual and Bestseller Lists
- 5. Accessing Compustar Installation Manual Free and Paid eBooks
 - Compustar Installation Manual Public Domain eBooks
 - Compustar Installation Manual eBook Subscription Services
 - Compustar Installation Manual Budget-Friendly Options
- 6. Navigating Compustar Installation Manual eBook Formats
 - ePub, PDF, MOBI, and More
 - Compustar Installation Manual Compatibility with Devices
 - Compustar Installation Manual Enhanced eBook Features
- 7. Enhancing Your Reading Experience
 - Adjustable Fonts and Text Sizes of Compustar Installation Manual
 - Highlighting and Note-Taking Compustar Installation Manual
 - Interactive Elements Compustar Installation Manual
- 8. Staying Engaged with Compustar Installation Manual
 - Joining Online Reading Communities
 - Participating in Virtual Book Clubs
 - Following Authors and Publishers Compustar Installation Manual
- 9. Balancing eBooks and Physical Books Compustar Installation Manual
 - Benefits of a Digital Library
 - Creating a Diverse Reading Collection Compustar Installation Manual
- 10. Overcoming Reading Challenges
 - Dealing with Digital Eye Strain
 - Minimizing Distractions
 - Managing Screen Time
- 11. Cultivating a Reading Routine Compustar Installation Manual
 - Setting Reading Goals Compustar Installation Manual
 - Carving Out Dedicated Reading Time
- 12. Sourcing Reliable Information of Compustar Installation Manual
 - Fact-Checking eBook Content of Compustar Installation Manual
 - Distinguishing Credible Sources

13. Promoting Lifelong Learning
 - Utilizing eBooks for Skill Development
 - Exploring Educational eBooks
14. Embracing eBook Trends
 - Integration of Multimedia Elements
 - Interactive and Gamified eBooks

Compustar Installation Manual Introduction

In the digital age, access to information has become easier than ever before. The ability to download Compustar Installation Manual has revolutionized the way we consume written content. Whether you are a student looking for course material, an avid reader searching for your next favorite book, or a professional seeking research papers, the option to download Compustar Installation Manual has opened up a world of possibilities. Downloading Compustar Installation Manual provides numerous advantages over physical copies of books and documents. Firstly, it is incredibly convenient. Gone are the days of carrying around heavy textbooks or bulky folders filled with papers. With the click of a button, you can gain immediate access to valuable resources on any device. This convenience allows for efficient studying, researching, and reading on the go. Moreover, the cost-effective nature of downloading Compustar Installation Manual has democratized knowledge. Traditional books and academic journals can be expensive, making it difficult for individuals with limited financial resources to access information. By offering free PDF downloads, publishers and authors are enabling a wider audience to benefit from their work. This inclusivity promotes equal opportunities for learning and personal growth. There are numerous websites and platforms where individuals can download Compustar Installation Manual. These websites range from academic databases offering research papers and journals to online libraries with an expansive collection of books from various genres. Many authors and publishers also upload their work to specific websites, granting readers access to their content without any charge. These platforms not only provide access to existing literature but also serve as an excellent platform for undiscovered authors to share their work with the world. However, it is essential to be cautious while downloading Compustar Installation Manual. Some websites may offer pirated or illegally obtained copies of copyrighted material. Engaging in such activities not only violates copyright laws but also undermines the efforts of authors, publishers, and researchers. To ensure ethical downloading, it is advisable to utilize reputable websites that prioritize the legal distribution of content. When downloading Compustar Installation Manual, users should also consider the potential security risks associated with online platforms. Malicious actors may exploit vulnerabilities in unprotected websites to distribute malware or steal personal information. To protect themselves, individuals should ensure their devices have reliable antivirus software

installed and validate the legitimacy of the websites they are downloading from. In conclusion, the ability to download Compustar Installation Manual has transformed the way we access information. With the convenience, cost-effectiveness, and accessibility it offers, free PDF downloads have become a popular choice for students, researchers, and book lovers worldwide. However, it is crucial to engage in ethical downloading practices and prioritize personal security when utilizing online platforms. By doing so, individuals can make the most of the vast array of free PDF resources available and embark on a journey of continuous learning and intellectual growth.

FAQs About Compustar Installation Manual Books

1. Where can I buy Compustar Installation Manual books? Bookstores: Physical bookstores like Barnes & Noble, Waterstones, and independent local stores. Online Retailers: Amazon, Book Depository, and various online bookstores offer a wide range of books in physical and digital formats.
2. What are the different book formats available? Hardcover: Sturdy and durable, usually more expensive. Paperback: Cheaper, lighter, and more portable than hardcovers. E-books: Digital books available for e-readers like Kindle or software like Apple Books, Kindle, and Google Play Books.
3. How do I choose a Compustar Installation Manual book to read? Genres: Consider the genre you enjoy (fiction, non-fiction, mystery, sci-fi, etc.). Recommendations: Ask friends, join book clubs, or explore online reviews and recommendations. Author: If you like a particular author, you might enjoy more of their work.
4. How do I take care of Compustar Installation Manual books? Storage: Keep them away from direct sunlight and in a dry environment. Handling: Avoid folding pages, use bookmarks, and handle them with clean hands. Cleaning: Gently dust the covers and pages occasionally.
5. Can I borrow books without buying them? Public Libraries: Local libraries offer a wide range of books for borrowing. Book Swaps: Community book exchanges or online platforms where people exchange books.
6. How can I track my reading progress or manage my book collection? Book Tracking Apps: Goodreads, LibraryThing, and Book Catalogue are popular apps for tracking your reading progress and managing book collections. Spreadsheets: You can create your own spreadsheet to track books read, ratings, and other details.
7. What are Compustar Installation Manual audiobooks, and where can I find them? Audiobooks: Audio recordings of books, perfect for listening while commuting or multitasking. Platforms: Audible, LibriVox, and Google Play Books offer a wide selection of audiobooks.

8. How do I support authors or the book industry? Buy Books: Purchase books from authors or independent bookstores. Reviews: Leave reviews on platforms like Goodreads or Amazon. Promotion: Share your favorite books on social media or recommend them to friends.
9. Are there book clubs or reading communities I can join? Local Clubs: Check for local book clubs in libraries or community centers. Online Communities: Platforms like Goodreads have virtual book clubs and discussion groups.
10. Can I read Compustar Installation Manual books for free? Public Domain Books: Many classic books are available for free as they're in the public domain. Free E-books: Some websites offer free e-books legally, like Project Gutenberg or Open Library.

Find Compustar Installation Manual :

[heat summary by mike lupica](#)

hermit crab habitat setup

henry rollins glenn danzig

hcc medication aide program

[hello kitty handwriting](#)

he who withstands the long night sees the dawn

[herbs for beginners](#)

healthy guru belly fat

hawaii insurance license practice test

heritage studies 4 answer key

historical context of lord of the flies

hawaiin to english

[helen keller fun facts](#)

heart bones book

hillsong worship healer

Compustar Installation Manual :