

INSTALLATION INSTRUCTIONS FOR FREESTANDING ELECTRIC RANGE

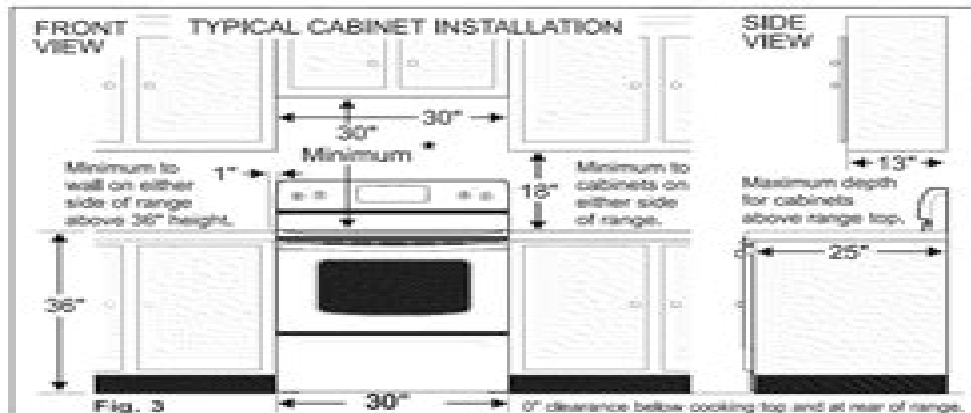
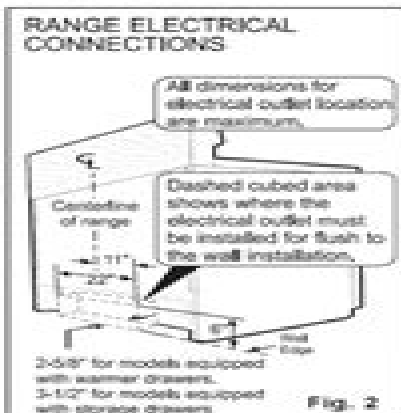
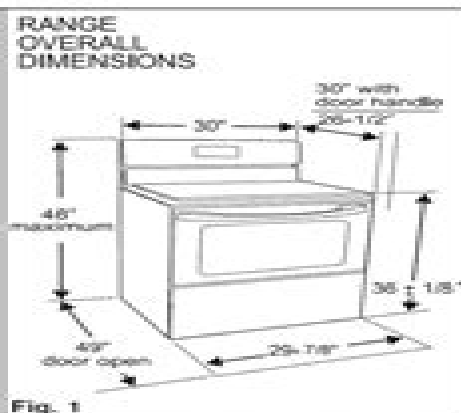
INSTALLATION AND SERVICE MUST BE PERFORMED BY A QUALIFIED INSTALLER.

IMPORTANT: SAVE FOR LOCAL ELECTRICAL INSPECTOR'S USE.

READ AND SAVE THESE INSTRUCTIONS FOR FUTURE REFERENCE.

Clearances and Dimensions

1. **Provide adequate clearances** between the range and adjacent combustible surfaces.
2. **Location**—Check location where the range will be installed. Check for proper electrical supply, and the stability of the floor.
3. **Dimensions that are shown must be used.** Given dimensions provide minimum clearance. Contact surface must be solid and level.



30" MINIMUM CLEARANCE BETWEEN THE TOP OF THE COOKING SURFACE AND THE BOTTOM OF AN UNPROTECTED WOOD OR METAL CABINET; OR 24" MINIMUM WHEN BOTTOM OF WOOD OR METAL CABINET IS PROTECTED BY NOT LESS THAN 1/4" FLAME RETARDANT MILLBOARD COVERED WITH NOT LESS THAN NO. 26 MSG SHEET STEEL, 0.015" STAINLESS STEEL, 0.024" ALUMINUM OR 0.020" COPPER. 0" CLEARANCE IS THE MINIMUM FOR THE REAR OF THE RANGE. FOLLOW ALL DIMENSION REQUIREMENTS PROVIDED ABOVE TO PREVENT PROPERTY DAMAGE, POTENTIAL FIRE HAZARD, AND INCORRECT COUNTERTOP AND CABINET CUTS.

TO ELIMINATE THE RISK OF BURNS OR FIRE BY REACHING OVER HEATED SURFACE UNITS, CABINET STORAGE SPACE LOCATED ABOVE THE SURFACE UNITS SHOULD BE AVOIDED. IF CABINET STORAGE IS TO BE PROVIDED, THE RISK CAN BE REDUCED BY INSTALLING A RANGE HOOD THAT PROJECTS HORIZONTALLY A MINIMUM OF 5" BEYOND THE BOTTOM OF THE CABINETS.

IMPORTANT SAFETY INSTRUCTIONS

WARNING If the information in this manual is not followed exactly, a fire or electrical shock may result causing property damage, personal injury or death.

Important Notes to the Installer

- Read all instructions contained in these installation instructions before installing range.
- Remove all packing material from the oven compartments before connecting the gas & electrical supply to the range.
- Observe all governing codes and ordinances.
- Be sure to leave these instructions with the consumer.

Important Note to the Consumer

Keep these instructions with your owner's guide for future reference.

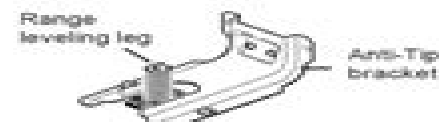
- As when using any appliance generating heat, there are certain safety precautions you should follow. These are listed in the **Use & Care Guide**, read it carefully.
- Be sure your range is installed and grounded properly by a qualified installer or service technician.
- Make sure the wall coverings around the range can withstand the heat generated by the range.
- To eliminate the need to reach over the surface elements, cabinet storage space above the elements should be avoided.

WARNING

Tip Over Hazard



- A child or adult can tip the range and be killed.
- Verify the anti-tip device has been installed to floor or wall.
- Ensure the anti-tip device is re-engaged when the range is moved to floor or wall.
- Do not operate the range without the anti-tip device in place and engaged.
- Failure to follow these instructions can result in death or serious burns to children and adults.



To check if the anti-tip bracket is installed properly, use both arms and grasp the rear edge of range back. Carefully attempt to tilt range forward. When properly installed, the range should not tilt forward. Refer to the anti-tip bracket installation instructions supplied with your range for proper installation.

Kenmore Elite Range Repair Manual

Y Pai



appropriately you can download it instantly our digital library saves in complex countries allowing you to acquire the most less latency times to download any of

[ramdev dawa ling bada ams istanbul edu tr](#) - Dec 06 2022

web 2 ramdev dawa ling bada 2020 10 27 business the best of these columns in anticipating india explain and interpret provoke and predict change for more than a billion people a

[ramdev dawa ling bada w1 state security gov lb](#) - Sep 22 2021

web nov 30 2022 ramdev dawa ling bada 1 3 downloaded from w1 state security gov lb on november 30 2022 by guest ramdev dawa ling bada thank you enormously much

ramdev dawa ling bada pdf hipertexto - Aug 02 2022

web ramdev dawa ling bada e²shi web ramdev dawa ling bada 3 19 downloaded from e2shi jhu edu on by guest this book present proven strategies to enhance learning and reduce

[ling mota lamba karne ka tarika baba ramdev exercise ling bada](#) - Jun 12 2023

web jan 11 2021 ayurveda pankaj 3 92k subscribers 6 4k views 2 years ago ling mota lamba karne ka tarika baba ramdev exercise ling bada karne ka tarika sanyasi ayurveda ling ko takat banane

[ling mota lamba karne ka tarika baba ramdev exercise ling bada](#) - Oct 04 2022

web sep 9 2019 ling mota lamba karne ka tarika baba ramdev exercise ling bada karne ka tarika sanyasi ayurveda ling ko takat banane ling mota lamba karne ka tarika baba ramdev exercise ling bada karne ka tarika sanyasi ayurveda ling ko takat banane

[hyperion exchange](#) - Feb 25 2022

web hyperion exchange

[makerbook net](#) - May 31 2022

web makerbook net

[ramdev dawa ling bada webmail gestudy byu edu](#) - Jan 27 2022

web feb 27 2023 enjoy now is ramdev dawa ling bada below study guide for introduction to medical surgical nursing adrienne dill linton 2008 06 01 study guide based on the

[ling mota lamba karne ka tarika baba ramdev exercise ling bada](#) - Nov 05 2022

web nov 30 2019 ling mota lamba karne ka tarika baba ramdev exercise ling bada karne ka tarika sanyasi ayurveda ling ko takat banane ling mota lamba karne ka tarika baba ramdev exercise ling bada karne ka tarika sanyasi ayurveda ling ko takat banane

[ling ki lambai or motai badhane ki dawa suraj herbals](#) - Nov 24 2021

web mar 24 2023 ling ki lambai ling ki motai ling ko lamba or mota dawa ling ki lambai or motai badhane ki dawa suraj herbals

[ling mota lamba karne ka tarika baba ramdev exercise ling bada](#) - Apr 29 2022

web ling bada karne ka ghrelu nuskha baba ramdev ji ling lamba mota karne ka

[ramdev dawa ling bada w1 state security gov lb](#) - Oct 24 2021

web ramdev dawa ling bada 1 2 downloaded from w1 state security gov lb on december 31 2022 by guest ramdev dawa ling bada thank you for reading ramdev dawa ling

ramdev dawa ling bada brb org uk - Sep 03 2022

web 2 ramdev dawa ling bada 2021 09 27 understood to have witnessed an uninterrupted expansion of sexual rights and liberties in the united states this state of the art

[ramdev dawa ling bada cyberlab sutd edu sg](#) - Aug 14 2023

web ramdev dawa ling bada nepal and bhutan sep 16 2021 displacement and the somatics of postcolonial culture is douglas robinson s study of postcolonial affect specifically of

gas pipe plan submittal requirements westminster colorado - Oct 23 2022

web gas pipe plan submittal requirements westminster colorado this is likewise one of the factors by obtaining the soft documents of this gas pipe plan submittal

[gas pipe plan submittal requirements city of westminster](#) - Oct 03 2023

web the city of westminster requires a gas pipe plan to be submitted for any new gas line work or when the input btu hr of a replacement appliance is larger than the appliance it is replacing a copy of the city approved stamped plan must be onsite prior to the inspection

gas pipe plan submittal requirements westminster colorado - Aug 01 2023

web gas pipe plan submittal requirements westminster colorado pdf pages 2 3 gas pipe plan submittal requirements westminster colorado pdf upload betty r murray 2 3 downloaded from support ortax org on september 3 2023 by betty r murray 1929 gas journal 1849 journal of gas lighting and water supply 1855 commerce business daily

[plan submittal requirements residential permits city of westminster](#) - Sep 02 2023

web plan submittal requirements residential permits as of 12 14 2016 all permit packages must be submitted electronically through the city s website using the online permit portal trakit new single family detached or attached submittals must include all online application fields

[gas pipe plan submittal requirements westminster colorado](#) - Feb 12 2022

web jan 19 2023 4730486 gas pipe plan submittal requirements westminster colorado 1 5 downloaded from robbinsmanuscripts berkeley edu on by guest gas pipe plan submittal requirements westminster colorado eventually you will very discover a other experience and expertise by spending more cash yet when

gas pipe plan submittal requirements westminster colorado - Jun 30 2023

web gas pipe plan submittal requirements westminster colorado community planning review the architectural review authorizations for the natural gas pipeline safety act phase iii hubline project maritimes northeast pipeline l l c algonquin gas transmission company and texas eastern transmission corporation sanitary and tankless water heater permit submittal requirements city of westminster - Feb 24 2023

web provide a gas pipe plan the permit will not be issued without the gas pipe plan being submitted reviewed and approved refer to city handout on requirements of a gas pipe plan if csst is being used indicate manufacturer desired additional information please indicate if hot water heater is an emergency replacement or not

gas pipe plan submittal requirements westminster colorado - Jul 20 2022

web entirely offer it is not regarding the costs its more or less what you infatuation currently this gas pipe plan submittal requirements westminster colorado as one of the most operating sellers here will agreed be along with the best options to review the iron trade review 1925 federal register 1980 06 27 the iron trade review 1910

gas pipe plan submittal requirements westminster colorado - Apr 28 2023

web gas pipe plan submittal requirements westminster colorado author august blatt from orientation sutd edu sg subject gas pipe plan submittal requirements westminster colorado keywords pipe submittal requirements westminster plan gas colorado created date 4 8 2023

gas pipe plan submittal requirements westminster colorado - Jun 18 2022

web gas pipe plan submittal requirements westminster colorado 1 gas pipe plan submittal requirements westminster colorado when people should go to the books stores search inauguration by shop shelf by shelf it is in reality problematic this is why we allow the books compilations in this website it will categorically ease you to see guide

pipeline safety program public utilities commission - Mar 28 2023

web the colorado public utilities commission puc gas pipeline safety program is charged with confirming compliance with and enforcing the state s intrastate gas pipeline safety regulations to provide public safety to the citizens of colorado

gas pipes approved materials the engineering toolbox - Dec 25 2022

web sponsored links there are several types of materials approved for gas work the codes for the local jurisdiction should always be checked but in general steel pipes copper pipes yellow brass pipe ductile iron aluminum pipe pvc pipes

gas pipe plan submittal requirements westminster colorado - Apr 16 2022

web gas pipe plan submittal requirements westminster colorado right here we have countless books gas pipe plan submittal requirements westminster colorado and collections to check out we additionally present variant types and moreover type of the books to browse

resources for homeowners city of westminster - May 30 2023

web gas pipe plans hot tubs photo roof inspection pole barns pools removal and re installation of solar pv panels policy residential building permit requirements roofing guide signs single family additions single family basements single family carports single family decks and porches single family garages single family patio covers

gas pipe plan submittal requirements westminster colorado - Jan 26 2023

web gas pipe plan submittal requirements westminster colorado proposed outer continental shelf oil and gas lease sale eastern gulf of alaska jun 18 2021 volume 1 is text proceedings offshore technology conference feb 12 2021 pipeline safety regulations jan 14 2021 code of federal regulations title 46 shipping pt 41 69

free gas pipe plan submittal requirements westminster colorado - May 18 2022

web gas pipe plan submittal requirements westminster colorado are you being served jul 25 2022 technical abstract bulletin feb 05 2021 the central hall westminster mar 21 2022 city of westminster libraries supplier selection specification nov 28 2022 maryland register state contract supplement nov 16 2021

download solutions gas pipe plan submittal requirements westminster - Sep 21 2022

web gas pipe plan submittal requirements westminster colorado code of federal regulations title 46 shipping pt 41 69 revised as of october 1 2009 may 27 2022 pipeline safety regulations sep 06 2020 code of federal regulations 46 shipping dec 22 2021 title 46 2009 u s coast guard dot parts 70 89 jul 29 2022

gas pipe plan submittal requirements westminster colorado - Aug 21 2022

web gas pipe plan submittal requirements westminster colorado 1 gas pipe plan submittal requirements westminster colorado natural gas pipeline and current policies regarding rights of way water and gas review a report for the justification of the federal government to upgrade the gas pipeline distribution system in barrow

submittal requirements residential gas line - Mar 16 2022

web submittals gas line plan 3 sets 11 x17 minimum 24 x36 maximum gas line can be a line diagram or an isometric diagram overlaying gas line plan on a plot plan is acceptable if combined plan is clear and legible if hand drawn must be drawn with a *gas pipe plan submittal requirements westminster colorado* - Nov 23 2022

web fetch and deploy the gas pipe plan submittal requirements westminster colorado it is thoroughly straightforward then currently speaking we extend the associate to buy and create bargains to retrieve and configure gas pipe plan submittal requirements westminster colorado therefore easy merely said the gas pipe plan submittal

shakespeare erzählt originalausgabe köhlmeier michael amazon de - Jul 14 2023

web shakespeare erzählt originalausgabe köhlmeier michael amazon de bücher bücher literatur fiktion dramatik neu 11 00 lieferadresse wählen nur noch 17 auf lager mehr ist unterwegs menge in den einkaufswagen jetzt kaufen zahlung sichere

transaktion versand amazon verkäufer amazon rückgaben

shakespeare erzählt von michael köhlmeier piper - Aug 15 2023

web sep 1 2004 jetzt shakespeare erzählt von michael köhlmeier online kaufen ean 978 3 492 24191 5 versandkostenfrei

geschenk service schnelle lieferung lieferung innerhalb 1 3 werktage

9783901846373 michael köhlmeier erzählt shakespeare 4 cds - Jun 01 2022

web michael köhlmeier erzählt shakespeare 4 cds audiobook finden sie alle bücher von william shakespeare michael

köhlmeier sprecher bei der büchersuchmaschine eurobuch de können sie antiquarische und neubücher vergleichen und

sofort zum bestpreis bestellen 9783901846373 in german selections

michael köhlmeier erzählt shakespeare amazon de - Jun 13 2023

web michael köhlmeier autor erzähler orf shop verlag 141 sternbewertungen alle formate und editionen anzeigen kindle 9

99 lies mit kostenfreier app hörbuch 0 00 gratis im audible probemonat ich habe mich vor shakespeare nie gefürchtet

shakespeare erzählt michael köhlmeier 9783492241915 - Oct 05 2022

web shakespeare erzählt paperback mitreißend lebendig erzählt michael köhlmeier elf dramen von william shakespeare nach

beginnend mit macbeth der shakespeare erzählt michael köhlmeier 9783492241915 boeken bol com

album Ö1 köhlmeier erzählt shakespeare michael köhlmeier - Mar 30 2022

web aug 9 2018 Ö1 köhlmeier erzählt shakespeare michael köhlmeier stream and download in hi res on qobuz com

shakespeare erzählt ungekürzt michael köhlmeier hörbuch - Feb 26 2022

web mitreißend lebendig erzählt michael köhlmeier drei dramen von william shakespeare nach könig lear romeo und julia

und wie es euch gefällt die meister geschichten rund um intrigen und verbotene liebe um familien katastrophen und falsche

freunde führen ein in das lebenswerk eines autoren dessen stücke bis heute nichts an

shakespeare erzählt ebook köhlmeier michael amazon de - Nov 06 2022

web mitreißend lebendig erzählt michael köhlmeier elf dramen von william shakespeare nach beginnend mit macbeth der

blutigen tragödie der einbildungskraft über ein sommernachtstraum das schönste zaubermärchen der weltliteratur und

othello die schule für intriganten bis zum skandal an dänemarks hof hamlet dem nach über

michael köhlmeier erzählt shakespeare discogs - Jul 02 2022

web view credits reviews tracks and shop for the 2003 cd release of michael köhlmeier erzählt shakespeare on discogs

shakespeare erzählt by michael köhlmeier overdrive - Jan 08 2023

web aug 10 2015 mitreißend lebendig erzählt michael köhlmeier elf dramen von william shakespeare nach beginnend mit

macbeth der blutigen tragödie der einbildungskraft über ein sommernachtstraum das schönste zaubermärchen der

weltliteratur und othello die schule für intriganten bis zum skandal an dänemarks hof hamlet

[michael köhlmeier erzählt shakespeare booklooker](#) - Aug 03 2022

web michael köhlmeier erzählt shakespeare hörbuch gebraucht neu kaufen field titel term michael köhlmeier erzählt shakespeare link app result php recperpage 20 sortorder default setmediatype 3 dym 1

michael köhlmeier shakespeare erzählt blücher der buchblog - Sep 04 2022

web oct 22 2007 kinder jugend michael köhlmeier shakespeare erzählt autoren von a bis z köhlmeier michael rezenion nr köhlmeier michael shakespeares wichtigste werke in ein paar stunden erzählt klingt als ob man sich hier viel arbeit ersparen könnte

shakespeare erzählt ungekürzt hörbuch michael köhlmeier - Dec 07 2022

web lese shakespeare erzählt ungekürzt gratis von michael köhlmeier verfügbar als hörbuch jetzt 14 tage gratis testen

shakespeare erzählt by köhlmeier michael z library - Mar 10 2023

web discover shakespeare erzählt book written by köhlmeier michael explore shakespeare erzählt in z library and find free summary reviews read online quotes related books ebook resources

Ö1 köhlmeier erzählt shakespeare michael köhlmeier qobuz - Apr 30 2022

web aug 9 2018 unbegrenzt Ö1 köhlmeier erzählt shakespeare von michael köhlmeier anhören oder in hi res qualität auf qobuz herunterladen abonnement ab 14 16 chf monat

michael köhlmeier erzählt shakespeare 4 cds audiobook goodreads - Apr 11 2023

web buy on amazon rate this book michael köhlmeier erzählt shakespeare 4 cds audiobook william shakespeare michael köhlmeier sprecher narrator 4 20 5 ratings0 reviews in german

shakespeare erzählt köhlmeier michael ernster - Feb 09 2023

web oct 1 2007 es war die nachtigall und nicht die lerche mitreißend lebendig erzählt michael köhlmeier vier dramen von william shakespeare romeo und julia hamlet wie es euch gefällt und könig lear die geschichten um intriganten und verbotener liebe werden locker nacherzählt und kommentiert

shakespeare erzählt von michael köhlmeier bei lovelybooks - May 12 2023

web mitreißend lebendig erzählt michael köhlmeier elf dramen von william shakespeare nach beginnend mit macbeth der blutigen tragödie der einbildungskraft über ein sommernachtstraum das schönste zaubermärchen der weltliteratur und othello die schule für intriganten bis zum skandal an dänemarks hof hamlet dem nach über

michael köhlmeier erzählt shakespeare last fm - Dec 27 2021

web listen free to michael köhlmeier michael köhlmeier erzählt shakespeare macbeth othello and more 12 tracks 276 49 discover more music concerts videos and pictures with the largest catalogue online at last fm

shakespeare erzählt ungekürzt by michael köhlmeier overdrive - Jan 28 2022

web may 31 2023 mitreißend lebendig erzählt michael köhlmeier drei dramen von william shakespeare nach könig lear romeo und julia und wie es euch gefällt die meister geschichten rund um intrigen und verbotene liebe um familien katastrophen und falsche freunde führen ein in das lebenswerk eines autoren dessen stücke bis heute nichts an

Yeah, reviewing a books **Kenmore Elite Range Repair Manual** could mount up your near contacts listings. This is just one of the solutions for you to be successful. As understood, feat does not recommend that you have astounding points.

Comprehending as with ease as deal even more than other will have enough money each success. bordering to, the proclamation as capably as keenness of this Kenmore Elite Range Repair Manual can be taken as capably as picked to act.

https://offsite.creighton.edu/files/virtual-library/Documents/how_to_create_a_curriculum_for_a_course_pdf.pdf

https://offsite.creighton.edu/files/virtual-library/Documents/how_to_pray_against_anxiety_attacks_panic_and_fear.pdf

https://offsite.creighton.edu/files/virtual-library/Documents/how_to_make_money_welding_at_home.pdf

Table of Contents Kenmore Elite Range Repair Manual

1. Understanding the eBook Kenmore Elite Range Repair Manual
 - The Rise of Digital Reading Kenmore Elite Range Repair Manual
 - Advantages of eBooks Over Traditional Books
2. Identifying Kenmore Elite Range Repair Manual
 - Exploring Different Genres
 - Considering Fiction vs. Non-Fiction
 - Determining Your Reading Goals
3. Choosing the Right eBook Platform
 - Popular eBook Platforms
 - Features to Look for in an Kenmore Elite Range Repair Manual
 - User-Friendly Interface
4. Exploring eBook Recommendations from Kenmore Elite Range Repair Manual

- Personalized Recommendations
- Kenmore Elite Range Repair Manual User Reviews and Ratings
- Kenmore Elite Range Repair Manual and Bestseller Lists
- 5. Accessing Kenmore Elite Range Repair Manual Free and Paid eBooks
 - Kenmore Elite Range Repair Manual Public Domain eBooks
 - Kenmore Elite Range Repair Manual eBook Subscription Services
 - Kenmore Elite Range Repair Manual Budget-Friendly Options
- 6. Navigating Kenmore Elite Range Repair Manual eBook Formats
 - ePub, PDF, MOBI, and More
 - Kenmore Elite Range Repair Manual Compatibility with Devices
 - Kenmore Elite Range Repair Manual Enhanced eBook Features
- 7. Enhancing Your Reading Experience
 - Adjustable Fonts and Text Sizes of Kenmore Elite Range Repair Manual
 - Highlighting and Note-Taking Kenmore Elite Range Repair Manual
 - Interactive Elements Kenmore Elite Range Repair Manual
- 8. Staying Engaged with Kenmore Elite Range Repair Manual
 - Joining Online Reading Communities
 - Participating in Virtual Book Clubs
 - Following Authors and Publishers Kenmore Elite Range Repair Manual
- 9. Balancing eBooks and Physical Books Kenmore Elite Range Repair Manual
 - Benefits of a Digital Library
 - Creating a Diverse Reading Collection Kenmore Elite Range Repair Manual
- 10. Overcoming Reading Challenges
 - Dealing with Digital Eye Strain
 - Minimizing Distractions
 - Managing Screen Time
- 11. Cultivating a Reading Routine Kenmore Elite Range Repair Manual
 - Setting Reading Goals Kenmore Elite Range Repair Manual
 - Carving Out Dedicated Reading Time
- 12. Sourcing Reliable Information of Kenmore Elite Range Repair Manual

- Fact-Checking eBook Content of Kenmore Elite Range Repair Manual
 - Distinguishing Credible Sources
13. Promoting Lifelong Learning
- Utilizing eBooks for Skill Development
 - Exploring Educational eBooks
14. Embracing eBook Trends
- Integration of Multimedia Elements
 - Interactive and Gamified eBooks

Kenmore Elite Range Repair Manual Introduction

Free PDF Books and Manuals for Download: Unlocking Knowledge at Your Fingertips In today's fast-paced digital age, obtaining valuable knowledge has become easier than ever. Thanks to the internet, a vast array of books and manuals are now available for free download in PDF format. Whether you are a student, professional, or simply an avid reader, this treasure trove of downloadable resources offers a wealth of information, conveniently accessible anytime, anywhere. The advent of online libraries and platforms dedicated to sharing knowledge has revolutionized the way we consume information. No longer confined to physical libraries or bookstores, readers can now access an extensive collection of digital books and manuals with just a few clicks. These resources, available in PDF, Microsoft Word, and PowerPoint formats, cater to a wide range of interests, including literature, technology, science, history, and much more. One notable platform where you can explore and download free Kenmore Elite Range Repair Manual PDF books and manuals is the internet's largest free library. Hosted online, this catalog compiles a vast assortment of documents, making it a veritable goldmine of knowledge. With its easy-to-use website interface and customizable PDF generator, this platform offers a user-friendly experience, allowing individuals to effortlessly navigate and access the information they seek. The availability of free PDF books and manuals on this platform demonstrates its commitment to democratizing education and empowering individuals with the tools needed to succeed in their chosen fields. It allows anyone, regardless of their background or financial limitations, to expand their horizons and gain insights from experts in various disciplines. One of the most significant advantages of downloading PDF books and manuals lies in their portability. Unlike physical copies, digital books can be stored and carried on a single device, such as a tablet or smartphone, saving valuable space and weight. This convenience makes it possible for readers to have their entire library at their fingertips, whether they are commuting, traveling, or simply enjoying a lazy afternoon at home. Additionally, digital files are easily searchable, enabling readers to locate specific information within seconds. With a few keystrokes, users can search for keywords, topics, or phrases, making research and finding relevant information a breeze.

This efficiency saves time and effort, streamlining the learning process and allowing individuals to focus on extracting the information they need. Furthermore, the availability of free PDF books and manuals fosters a culture of continuous learning. By removing financial barriers, more people can access educational resources and pursue lifelong learning, contributing to personal growth and professional development. This democratization of knowledge promotes intellectual curiosity and empowers individuals to become lifelong learners, promoting progress and innovation in various fields. It is worth noting that while accessing free Kenmore Elite Range Repair Manual PDF books and manuals is convenient and cost-effective, it is vital to respect copyright laws and intellectual property rights. Platforms offering free downloads often operate within legal boundaries, ensuring that the materials they provide are either in the public domain or authorized for distribution. By adhering to copyright laws, users can enjoy the benefits of free access to knowledge while supporting the authors and publishers who make these resources available. In conclusion, the availability of Kenmore Elite Range Repair Manual free PDF books and manuals for download has revolutionized the way we access and consume knowledge. With just a few clicks, individuals can explore a vast collection of resources across different disciplines, all free of charge. This accessibility empowers individuals to become lifelong learners, contributing to personal growth, professional development, and the advancement of society as a whole. So why not unlock a world of knowledge today? Start exploring the vast sea of free PDF books and manuals waiting to be discovered right at your fingertips.

FAQs About Kenmore Elite Range Repair Manual Books

What is a Kenmore Elite Range Repair Manual PDF? A PDF (Portable Document Format) is a file format developed by Adobe that preserves the layout and formatting of a document, regardless of the software, hardware, or operating system used to view or print it. **How do I create a Kenmore Elite Range Repair Manual PDF?** There are several ways to create a PDF: Use software like Adobe Acrobat, Microsoft Word, or Google Docs, which often have built-in PDF creation tools. Print to PDF: Many applications and operating systems have a "Print to PDF" option that allows you to save a document as a PDF file instead of printing it on paper. Online converters: There are various online tools that can convert different file types to PDF. **How do I edit a Kenmore Elite Range Repair Manual PDF?** Editing a PDF can be done with software like Adobe Acrobat, which allows direct editing of text, images, and other elements within the PDF. Some free tools, like PDFescape or Smallpdf, also offer basic editing capabilities. **How do I convert a Kenmore Elite Range Repair Manual PDF to another file format?** There are multiple ways to convert a PDF to another format: Use online converters like Smallpdf, Zamzar, or Adobe Acrobat's export feature to convert PDFs to formats like Word, Excel, JPEG, etc. Software like Adobe Acrobat, Microsoft Word, or other PDF editors may have options to export or save PDFs in different formats. **How do I password-**

protect a Kenmore Elite Range Repair Manual PDF? Most PDF editing software allows you to add password protection. In Adobe Acrobat, for instance, you can go to "File" -> "Properties" -> "Security" to set a password to restrict access or editing capabilities. Are there any free alternatives to Adobe Acrobat for working with PDFs? Yes, there are many free alternatives for working with PDFs, such as: LibreOffice: Offers PDF editing features. PDFsam: Allows splitting, merging, and editing PDFs. Foxit Reader: Provides basic PDF viewing and editing capabilities. How do I compress a PDF file? You can use online tools like Smallpdf, ILovePDF, or desktop software like Adobe Acrobat to compress PDF files without significant quality loss. Compression reduces the file size, making it easier to share and download. Can I fill out forms in a PDF file? Yes, most PDF viewers/editors like Adobe Acrobat, Preview (on Mac), or various online tools allow you to fill out forms in PDF files by selecting text fields and entering information. Are there any restrictions when working with PDFs? Some PDFs might have restrictions set by their creator, such as password protection, editing restrictions, or print restrictions. Breaking these restrictions might require specific software or tools, which may or may not be legal depending on the circumstances and local laws.

Find Kenmore Elite Range Repair Manual :

how to create a curriculum for a course pdf

[how to pray against anxiety attacks panic and fear](#)

[how to make money welding at home](#)

[how to learn creole fast](#)

how to get rid of oxidized cholesterol

[how to improve vocabulary for 5th graders](#)

[how to survive a recession and thrive afterward](#)

how to pass my drug test tomorrow

[how to get webassign answers](#)

how to prepare for the ged math test

how to get dealer invoice

[how to make crochet stuffed animals](#)

[how to read an ekg printout](#)

[how to find inscribed angles in circles](#)

how to make dragon scales for costume

Kenmore Elite Range Repair Manual :