

**TOSHIBA**

# **SERVICE MANUAL**

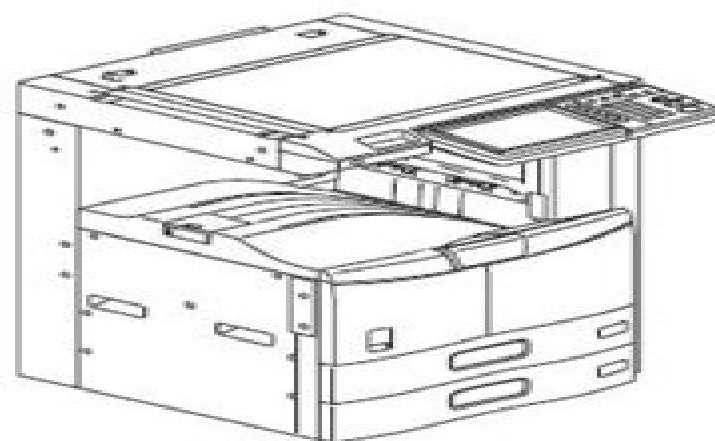
**MULTIFUNCTIONAL DIGITAL SYSTEMS**

**e-STUDIO206L/256/306/356/456/506**

**e-STUDIO306S/356S/456S**

**e-STUDIO256SE/306SE/356SE/456SE/506SE**

**e-STUDIO306SD/356SD/456SD**



# **Toshiba E Studio 356 Manual**

**David A. Aaker**



# Toshiba E Studio 356 Manual

**Audio Power Amplifier Design** Douglas Self,2013-07-04 This book is essential for audio power amplifier designers and engineers for one simple reason it enables you as a professional to develop reliable high performance circuits The Author Douglas Self covers the major issues of distortion and linearity power supplies overload DC protection and reactive loading He also tackles unusual forms of compensation and distortion produced by capacitors and fuses This completely updated fifth edition includes four NEW chapters including one on The XD Principle invented by the author and used by Cambridge Audio Crosstalk power amplifier input systems and microcontrollers in amplifiers are also now discussed in this fifth edition making this book a must have for audio power amplifier professionals and audiophiles [Introduction to Embedded Systems, Second Edition](#)

Edward Ashford Lee,Sanjit Arunkumar Seshia,2017-01-06 An introduction to the engineering principles of embedded systems with a focus on modeling design and analysis of cyber physical systems The most visible use of computers and software is processing information for human consumption The vast majority of computers in use however are much less visible They run the engine brakes seatbelts airbag and audio system in your car They digitally encode your voice and construct a radio signal to send it from your cell phone to a base station They command robots on a factory floor power generation in a power plant processes in a chemical plant and traffic lights in a city These less visible computers are called embedded systems and the software they run is called embedded software The principal challenges in designing and analyzing embedded systems stem from their interaction with physical processes This book takes a cyber physical approach to embedded systems introducing the engineering concepts underlying embedded systems as a technology and as a subject of study The focus is on modeling design and analysis of cyber physical systems which integrate computation networking and physical processes The second edition offers two new chapters several new exercises and other improvements The book can be used as a textbook at the advanced undergraduate or introductory graduate level and as a professional reference for practicing engineers and computer scientists Readers should have some familiarity with machine structures computer programming basic discrete mathematics and algorithms and signals and systems **Fuji X Secrets** Rico

Pfirstinger,2018-12-17 p p1 margin 0 0px 0 0px 0 0px 0 0px font 12 0px Cambria p p2 margin 0 0px 0 0px 0 0px 0 0px font 11 0px Verdana min height 13 0px p p3 margin 0 0px 0 0px 0 0px 0 0px font 12 0px Cambria min height 14 0px span s1 font 11 0px Verdana span Apple tab span white space pre In this book X Pert Corner columnist and workshop mentor Rico Pfirstinger teaches you all about the capabilities of the Fujifilm X series lineup of cameras which he s discovered through years of in depth research experience and experimentation No matter which X series camera you own whether it be the X T3 X H1 X T2 X Pro2 X100F X T20 X E3 GFX or any other Fuji X series camera Rico cuts to the chase and provides a plethora of tips and practical instructions not found in user manuals or anywhere else With this knowledge you will be able to take full advantage

of your X series camera The Fujifilm X series boasts amazing features but some users may require an adjustment period if they are new to these cameras even photographers who have been lifetime DSLR shooters This guide will help you to quickly feel comfortable using your camera so that you can achieve excellent results Rico reveals many hidden features functions and procedures so photographers of every level beginners enthusiasts and experienced pros will learn new and better ways to use their Fuji X series camera to its full potential Beyond beneficial practices for all X series shooters Rico also covers advanced concepts such as the capabilities of Fujifilm s ISOless sensors with Dual Conversion Gain and offers solutions for common issues such as inaccurate focus or RAW conversion artifacts Topics covered include Firmware upgrades lens issues OIS and IBIS Menu shortcuts Custom Settings My Menu Quick Menu and Fn buttons Mirrorless exposure metering Maximizing dynamic range ISOless photography Autofocus settings challenges and strategies Film simulations white balance and JPEG settings RAW conversion internal and external Flash photography And much more

*The Sound of Silence*  
Burkhard Vogel,2011-07-30 There is a wide field of tasks left that can only be satisfyingly attacked with the help of old fashioned analogue technology and one of the most important are amplifiers for analogue signals The strongly expanded content of the second edition of the sound of silence leads to affordable amplifier design approaches which will end up in lowest noise solutions not far away from the edge of physical boundaries set by room temperature and given cartridges thus fully compatible with very expensive so called high end or state of the art offers on today markets and from a noise point of view in most cases outperforming them With easy to follow mathematical treatment it is demonstrated as well that theory is not far away from reality Measured SNs will be found within 1dB off the calculated ones and deviations from the exact amplifier transfer won t cross the 0 1dB tolerance lines Additionally the book presents measurement set ups and results Consequently comparisons with measurement results of test magazine will soon become easier to perform This new edition includes a new chapters about reference levels Noise in Amp Input sections Humming Problems and much more

*Fundamentals of Computer Programming with C#* Svetlin Nakov,Veselin Kolev,2013-09-01 The free book Fundamentals of Computer Programming with C is a comprehensive computer programming tutorial that teaches programming logical thinking data structures and algorithms problem solving and high quality code with lots of examples in C It starts with the first steps in programming and software development like variables data types conditional statements loops and arrays and continues with other basic topics like methods numeral systems strings and string processing exceptions classes and objects After the basics this fundamental programming book enters into more advanced programming topics like recursion data structures lists trees hash tables and graphs high quality code unit testing and refactoring object oriented principles inheritance abstraction encapsulation and polymorphism and their implementation the C language It also covers fundamental topics that each good developer should know like algorithm design complexity of algorithms and problem solving The book uses C language and Visual Studio to illustrate the programming concepts and explains some C NET specific technologies

like lambda expressions extension methods and LINQ The book is written by a team of developers lead by Svetlin Nakov who has 20 years practical software development experience It teaches the major programming concepts and way of thinking needed to become a good software engineer and the C language in the meantime It is a great start for anyone who wants to become a skillful software engineer The books does not teach technologies like databases mobile and web development but shows the true way to master the basics of programming regardless of the languages technologies and tools It is good for beginners and intermediate developers who want to put a solid base for a successful career in the software engineering industry The book is accompanied by free video lessons presentation slides and mind maps as well as hundreds of exercises and live examples Download the free C programming book videos presentations and other resources from <http://introprogramming.info> Title *Fundamentals of Computer Programming with C* The Bulgarian C Programming Book ISBN 9789544007737 ISBN 13 978 954 400 773 7 9789544007737 ISBN 10 954 400 773 3 9544007733 Author Svetlin Nakov programming concepts programming fundamentals compiler Visual Studio NET NET Framework data types variables expressions statements console conditional statements control flow logic loops arrays numeral systems methods strings text processing StringBuilder exceptions exception handling stack trace streams files text files linear data structures list linked list stack queue tree balanced tree graph depth first search DFS breadth first search BFS dictionaries hash tables associative arrays sets algorithms sorting algorithm searching algorithms recursion combinatorial algorithms algorithm complexity OOP object oriented programming classes objects constructors fields properties static members abstraction interfaces encapsulation inheritance virtual methods polymorphism cohesion coupling enumerations generics namespaces UML design patterns extension methods anonymous types lambda expressions LINQ code quality high quality code high quality classes high quality methods code formatting self documenting code code refactoring problem solving problem solving methodology 9789544007737 9544007733 *Musical Sound Effects* Jean-Michel Réveillac,2017-12-27 For decades performers instrumentalists composers technicians and sound engineers continue to manipulate sound material They are trying with more or less success to create to innovate improve enhance restore or modify the musical message The sound of distorted guitar of Jimi Hendrix Pierre Henry s concrete music Pink Flyod s rock psychedelic Kraftwerk s electronic music Daft Punk and rap T Pain have let emerge many effects reverb compression distortion auto tune filter chorus phasing etc The aim of this book is to introduce and explain these effects and sound treatments by addressing their theoretical and practical aspects

**STRUCTURED COMPUTER ORGANIZATION** ,1996 **CCNA Routing and Switching Complete Review Guide** Todd Lammle,2016-12-13 Cisco has announced big changes to its certification program As of February 24 2020 all current certifications will be retired and Cisco will begin offering new certification programs The good news is if you re working toward any current CCNA certification keep going You have until February 24 2020 to complete your current CCNA This means if you already have CCENT ICND1 certification and would like to earn CCNA you have until February 23 2020 to

complete your CCNA certification in the current program Likewise if you re thinking of completing the current CCENT ICND1 ICND2 or CCNA Routing and Switching certification you can still complete them between now and February 23 2020 Tight focused CCNA review covering all three exams The CCNA Routing and Switching Complete Review Guide offers clear concise review for Exams 100 105 200 105 and 200 125 Written by best selling certification author and Cisco guru Todd Lammle this guide is your ideal resource for quick review and reinforcement of key topic areas This second edition has been updated to align with the latest versions of the exams and works alongside the Sybex CCNA Routing and Switching Complete Study Guide 2nd Edition Coverage includes LAN switching technologies IP routing IP services IPv4 and IPv6 addressing network device security WAN technologies and troubleshooting providing 100% coverage of all objectives for the CCNA ICND1 ICND2 and Composite exams The Sybex online learning environment gives you access to additional study tools including practice exams and flashcards to give you additional review before exam day Prepare thoroughly for the ICND1 ICND2 and the CCNA Composite exams Master all objective domains mapped directly to the exams Clarify complex topics with guidance from the leading Cisco expert Access practice exams electronic flashcards and more Each chapter focuses on a specific exam domain so you can read from beginning to end or just skip what you know and get right to the information you need This Review Guide is designed to work hand in hand with any learning tool or use it as a stand alone review to gauge your level of understanding The CCNA Routing and Switching Complete Review Guide 2nd Edition gives you the confidence you need to succeed on exam day

*The Art of Being Human* Michael Wesch,2018-08-07 Anthropology is the study of all humans in all times in all places But it is so much more than that Anthropology requires strength valor and courage Nancy Scheper Hughes noted Pierre Bourdieu called anthropology a combat sport an extreme sport as well as a tough and rigorous discipline It teaches students not to be afraid of getting one s hands dirty to get down in the dirt and to commit yourself body and mind Susan Sontag called anthropology a heroic profession What is the payoff for this heroic journey You will find ideas that can carry you across rivers of doubt and over mountains of fear to find the the light and life of places forgotten Real anthropology cannot be contained in a book You have to go out and feel the world s jagged edges wipe its dust from your brow and at times leave your blood in its soil In this unique book Dr Michael Wesch shares many of his own adventures of being an anthropologist and what the science of human beings can tell us about the art of being human This special first draft edition is a loose framework for more and more complete future chapters and writings It serves as a companion to anth101 com a free and open resource for instructors of cultural anthropology This 2018 text is a revision of the first draft edition from 2017 and includes 7 new chapters

*Game Engine Architecture* Jason Gregory,2017-03-27 Hailed as a must have textbook CHOICE January 2010 the first edition of Game Engine Architecture provided readers with a complete guide to the theory and practice of game engine software development Updating the content to match today s landscape of game engine architecture this second edition continues to thoroughly cover the major components that make up a typical

commercial game engine New to the Second Edition Information on new topics including the latest variant of the C programming language C 11 and the architecture of the eighth generation of gaming consoles the Xbox One and PlayStation 4 New chapter on audio technology covering the fundamentals of the physics mathematics and technology that go into creating an AAA game audio engine Updated sections on multicore programming pipelined CPU architecture and optimization localization pseudovectors and Grassman algebra dual quaternions SIMD vector math memory alignment and anti aliasing Insight into the making of Naughty Dog s latest hit The Last of Us The book presents the theory underlying various subsystems that comprise a commercial game engine as well as the data structures algorithms and software interfaces that are typically used to implement them It primarily focuses on the engine itself including a host of low level foundation systems the rendering engine the collision system the physics simulation character animation and audio An in depth discussion on the gameplay foundation layer delves into the game s object model world editor event system and scripting system The text also touches on some aspects of gameplay programming including player mechanics cameras and AI An awareness building tool and a jumping off point for further learning Game Engine Architecture Second Edition gives readers a solid understanding of both the theory and common practices employed within each of the engineering disciplines covered The book will help readers on their journey through this fascinating and multifaceted field **Advanced Accounting** Debra C. Jeter,Paul K. Chaney,2019-01-30 Advanced Accounting delivers an in depth comprehensive introduction to advanced accounting theory and application using actual business examples and relevant news stories to demonstrate how core principles translate into real world business scenarios Clearly defined and logically organized Learning Objectives aid in student comprehension while highlighted Related Concepts illustrate how individual concepts fit into the larger picture Short answer questions throughout the chapter allow students to test their knowledge before reaching the more in depth end of chapter questions promoting a deeper understanding of both technical and conceptual aspects of the field Written by active accounting researchers this text brings clarity and flexibility to the central ideas underlying business combinations consolidated financial statements foreign currency transactions partnerships non profit accounting and more This new Seventh Edition has been updated to reflect the latest changes to FASB and GASB standards allowing students to build a skill set based on up to date practices With a student oriented pedagogy designed to enhance comprehension promote engagement and build real world understanding this user friendly book provides an essential foundation in current advanced accounting methods and standards *Idea Man* Paul Allen,2012 What s it like to start a revolution How do you build the biggest tech company in the world And why do you walk away from it all Paul Allen co founded Microsoft Together he and Bill Gates turned an idea writing software into a company and then an entire industry This is the story of how it came about two young mavericks who turned technology on its head the bitter battles as each tried to stamp his vision on the future and the ruthless brilliance and fierce commitment [Ethics for the Information Age](#)

Michael Jay Quinn,2006 Widely praised for its balanced treatment of computer ethics Ethics for the Information Age offers a modern presentation of the moral controversies surrounding information technology Topics such as privacy and intellectual property are explored through multiple ethical theories encouraging readers to think critically about these issues and to make their own ethical decisions Brand Relevance David A. Aaker,2011-01-25 Branding guru Aaker shows how to eliminate the competition and become the lead brand in your market This ground breaking book defines the concept of brand relevance using dozens of case studies Prius Whole Foods Westin iPad and more and explains how brand relevance drives market dynamics which generates opportunities for your brand and threats for the competition Aaker reveals how these companies have made other brands in their categories irrelevant Key points When managing a new category of product treat it as if it were a brand By failing to produce what customers want or losing momentum and visibility your brand becomes irrelevant and create barriers to competitors by supporting innovation at every level of the organization Using dozens of case studies shows how to create or dominate new categories or subcategories making competitors irrelevant Shows how to manage the new category or subcategory as if it were a brand and how to create barriers to competitors Describes the threat of becoming irrelevant by failing to make what customer are buying or losing energy David Aaker the author of four brand books has been called the father of branding This book offers insight for creating and or owning a new business arena Instead of being the best the goal is to be the only brand around making competitors irrelevant Blown to Bits Harold Abelson,Ken Ledeen,Harry R. Lewis,2008 Blown to Bits is about how the digital explosion is changing everything The text explains the technology why it creates so many surprises and why things often don t work the way we expect them to It is also about things the information explosion is destroying old assumptions about who is really in control of our lives

**Information Systems** John Gallaughar,2016 **Android Hacker's Handbook** Joshua J. Drake,Zach Lanier,Collin Mulliner,Pau Oliva Fora,Stephen A. Ridley,Georg Wicherski,2014-03-26 The first comprehensive guide to discovering and preventing attacks on the Android OS As the Android operating system continues to increase its share of the smartphone market smartphone hacking remains a growing threat Written by experts who rank among the world s foremost Android security researchers this book presents vulnerability discovery analysis and exploitation tools for the good guys Following a detailed explanation of how the Android OS works and its overall security architecture the authors examine how vulnerabilities can be discovered and exploits developed for various system components preparing you to defend against them If you are a mobile device administrator security researcher Android app developer or consultant responsible for evaluating Android security you will find this guide is essential to your toolbox A crack team of leading Android security researchers explain Android security risks security design and architecture rooting fuzz testing and vulnerability analysis Covers Android application building blocks and security as well as debugging and auditing Android apps Prepares mobile device administrators security researchers Android app developers and security consultants to defend Android systems



against attack Android Hacker s Handbook is the first comprehensive resource for IT professionals charged with smartphone security

**The Future of Technology** Tom Standage,2005-08-01 From the industrial revolution to the railway age through the era of electrification the advent of mass production and finally to the information age the same pattern keeps repeating itself An exciting vibrant phase of innovation and financial speculation is followed by a crash after which begins a longer more stately period during which the technology is actually deployed properly This collection of surveys and articles from The Economist examines how far technology has come and where it is heading Part one looks at topics such as the greying maturing of IT the growing importance of security the rise of outsourcing and the challenge of complexity all of which have more to do with implementation than innovation Part two looks at the shift from corporate computing towards consumer technology whereby new technologies now appear first in consumer gadgets such as mobile phones Topics covered will include the emergence of the mobile phone as the digital Swiss Army knife the rise of digital cameras which now outsell film based ones the growing size and importance of the games industry and its ever closer links with other more traditional parts of the entertainment industry and the social impact of technologies such as text messaging Wi Fi and camera phones Part three considers which technology will lead the next great phase of technological disruption and focuses on biotechnology energy technology and nanotechnology

**The UX Book** Rex Hartson,Pardha S. Pyla,2018-11-02 The discipline of user experience UX design has matured into a confident practice and this edition reflects and in some areas accelerates that evolution Technically this is the second edition of The UX Book but so much of it is new it is more like a sequel One of the major positive trends in UX is the continued emphasis on design a kind of design that highlights the designer s creative skills and insights and embodies a synthesis of technology with usability usefulness aesthetics and meaningfulness to the user In this edition a new conceptual top down design framework is introduced to help readers with this evolution This entire edition is oriented toward an agile UX lifecycle process explained in the funnel model of agile UX as a better match to the now de facto standard agile approach to software engineering To reflect these trends even the subtitle of the book is changed to Agile UX design for a quality user experience Designed as a how to do it handbook and field guide for UX professionals and a textbook for aspiring students the book is accompanied by in class exercises and team projects The approach is practical rather than formal or theoretical The primary goal is still to imbue an understanding of what a good user experience is and how to achieve it To better serve this processes methods and techniques are introduced early to establish process related concepts as context for discussion in later chapters Winner of a 2020 Textbook Excellence Award College Texty from the Textbook and Academic Authors Association A comprehensive textbook for UX HCI Interaction Design students readymade for the classroom complete with instructors manual dedicated web site sample syllabus examples exercises and lecture slides Features HCI theory process practice and a host of real world stories and contributions from industry luminaries to prepare students for working in the field The only HCI textbook to cover agile methodology design approaches and a full modern

suite of classroom material stemming from tried and tested classroom use by the authors **Diagnostic Radiology Physics** International Atomic Energy Agency, D. R. Dance, 2014 This publication is aimed at students and teachers involved in programmes that train medical physicists for work in diagnostic radiology It provides a comprehensive overview of the basic medical physics knowledge required in the form of a syllabus for the practice of modern diagnostic radiology This makes it particularly useful for graduate students and residents in medical physics programmes The material presented in the publication has been endorsed by the major international organizations and is the foundation for academic and clinical courses in both diagnostic radiology physics and in emerging areas such as imaging in radiotherapy

### **le retour de l europe sauvage replay et vidéos en streaming** - Sep 10 2020

*le retour du sauvage une question de nature et de temps* - Dec 06 2022

web le retour du sauvage 2018 cast and crew credits including actors actresses directors writers and more menu movies release calendar top 250 movies most popular

le retour du sauvage format kindle amazon fr - Apr 10 2023

web may 7 2018 pierre athanaze d un point de vue strictement écologique le retour du sauvage signifie que l équilibre des écosystèmes est maintenu voire amélioré prenons

trois tapisseries restaurées de la vie de saint remi de retour à - May 19 2021

web sep 8 2023 selon le rapport publié par global firepower l inde se classe à la quatrième place des armées les plus puissantes au monde et dispose d 1 45 million de soldats

**nature le retour du sauvage en replay et en streaming télé 7** - Jan 27 2022

web arama yapmak istediginiz kategoriye secin

*la scandinavie documentaire en replay france tv* - Feb 25 2022

web 1 day ago conseils bonnes adresses inspirations dans le domaine de la mode du design de la gastronomie et du voyage chaque semaine retrouvez la liste du goût

*le fc barcelone a coché le nom d une star du betis séville 90min* - Jul 21 2021

web 16 hours ago les trois premières des dix tapisseries de la vie de saint remi une oeuvre du début du xvie siècle retraçant la vie de l évêque qui a baptisé clovis sont de retour

**pdf le retour du sauvage une question de nature et de temps** - Jul 13 2023

web mar 30 2022 rémi beau et virginie maris tous philosophes de l environnement s interrogent sur ce que la crise sanitaire révèle de notre rapport ambivalent au monde

**À waremme le stationnement sauvage est un problème** - Dec 14 2020

web 2 days ago cependant la zone euro qui est si importante la présidente de la commission européenne ursula von der leyen a reconnu mercredi que le retour à

*le retour du sauvage une question de nature et de temps* - Jun 12 2023

web l'évocation des désastres passés nombreuses espèces chassées jusqu'à l'extinction ou la quasi disparition sur le territoire européen et des errements présents le lynx réintroduit

le retour du sauvage de pierre athanaze livre decitre - Jan 07 2023

web en réduisant drastiquement la présence des humains dans l'espace extérieur deux phénomènes semblent avoir fait jour le retour du sauvage dans des milieux où centre

le retour du sauvage les Éditions buchet chastel - Aug 14 2023

web mar 30 2022 rémi beau et virginie maris tous deux philosophes de l'environnement s'interrogent sur ce que la crise sanitaire révèle de notre rapport ambivalent au monde

**covid le retour ce qu'il faut savoir pour cet automne** - Apr 17 2021

web aug 29 2023 embrasser quelqu'un de force complimenter l'apparence d'une collègue faire une blague salace pour beaucoup il est encore difficile de faire la différence

*est ce de la drague du harcèlement ou une agression sexuelle* - Feb 13 2021

web 2 days ago les amendes vont tomber le parking sauvage est un problème persistant à waremme comme dans bon nombre de villes d'ailleurs et en ce début d'année

**I inde en chiffres les données clés d'une nouvelle superpuissance** - Mar 17 2021

web 2 days ago le troisième ligne du xv de france anthony jelonch opéré d'une rupture du ligament croisé du genou gauche le 6 mars a gagné son pari fou il effectuera son

le retour du sauvage livre pas cher pierre athanaze gibert - Feb 08 2023

web mar 12 2015 le retour du sauvage de pierre athanaze collection dans le vif livraison gratuite à 0 01 dès 35 d'achat librairie decitre votre prochain livre est là

*le delta du danube documentaire en replay france tv* - Mar 29 2022

web nature le retour du sauvage retrouvez grâce à télé 7 replay toutes les vidéos disponibles gratuitement de nature le retour du sauvage en replay et en streaming

*la sélection lifestyle du monde des cachemires pop des* - Dec 26 2021

web sep 9 2023 le festival des lanternes thoiry lumières sauvages est de retour sur le thème de l'asie bientôt la magie va à nouveau s'emparer des jardins du château de

le retour du sauvage broché pierre athanaze fnac - Aug 02 2022

web le retour du sauvage 2018 on imdb movies tv celebs and more menu movies release calendar top 250 movies most popular movies browse movies by genre top

**le groupe de 25 joueurs de premier league confirmé** - Sep 22 2021

web sep 15 2023 rodri sánchez un retour à barcelone selon mas que pelotas le dirigeant portugais aurait jeté son dévolu sur rodri sánchez le joueur de 23 ans du real

**le retour du sauvage 2018 full cast crew imdb** - Nov 05 2022

web mar 12 2015 buchet chastel 12 03 2015 4 5 5 notes résumé préface de jacques perrin le loup et le lynx l élan le tarpan et le bison l esturgeon et le saumon

**le retour du sauvage short 2018 imdb** - Apr 29 2022

web le retour de l europe sauvage s1 la scandinavie environnement 51 min 7 s néerlandais indisponible tous publics a l extrême nord de l europe en laponie les rennes et les

*mondial 2023 retour d anthony jelonch capitaine du xv de* - Jan 15 2021

web 2 days ago la présidente de la commission européenne ursula von der leyen a reconnu mercredi que le retour à l objectif d une inflation à 2 dans la zone euro prendra du

**le chili commémore dans la division le cinquantième** - Jun 19 2021

web 2 days ago retour à l accueil l info en continu covid le retour ce qu il faut savoir pour cet automne washington afp avec l arrivée de l automne les infections au covid 19

*le retour du sauvage 2018 release info imdb* - Jul 01 2022

web revoir la vidéo en replay le retour de l europe sauvage le lynx disparu sur france 5 émission du 08 09 2021 l intégrale du programme sur france tv passer au contenu

le retour du sauvage pierre athanaze babelio - Oct 04 2022

web mar 12 2015 le retour du sauvage préface de jacques perrin le loup et le lynx l élan le tarpan et le bison l esturgeon et le saumon nombreuses sont les espèces qui après

**le retour du sauvage porteur d espoir l info durable** - Mar 09 2023

web mar 12 2015 nombreuses sont les espèces qui après avoir disparu de nos territoires font aujourd hui leur retour ces réapparitions sont parfois naturelles c est le cas du loup qui

**toutes les vidéos le retour de l europe sauvage france tv** - Aug 22 2021

web sep 8 2023 jusqu à 1990 et au retour à la démocratie le régime militaire d augusto pinochet s est rendu coupable de la mort ou de la disparition de 3 200 personnes au

**thoiry lumières sauvages le festival des lanternes est de retour** - Oct 24 2021

web le retour de l europe sauvage indisponible le retour de l europe sauvage les balkans 52 min le retour de l europe sauvage indisponible le retour de l europe sauvage la

le retour du sauvage france loisirs suisse - Sep 03 2022

web le retour du sauvage pierre athanaze buchet chastel des milliers de livres avec la livraison chez vous en 1 jour ou en magasin avec 5 de réduction ou téléchargez la

*le retour du sauvage dans le vif amazon com tr* - Nov 24 2021

web 1 day ago la liste des 25 joueurs des reds pour la saison 2023 24 a été communiquée la liste soumise par manchester united mercredi est composée de joueurs âgés de plus

l europe du sud documentaire en replay france tv - Aug 10 2020

inflation le retour à un taux de 2 dans la zone euro prendra du - Nov 12 2020

web les vidéos et les replay le retour de l europe sauvage sur france 5 voir et revoir toutes les émissions et programmes de france 5 sur france tv

**le lynx disparu documentaire en replay france tv** - May 31 2022

web le retour de l europe sauvage le delta du danube documentaire france tv la vidéo n est pas disponible le retour de l europe sauvage s1 le delta du danube animaux

**amazon fr le retour du sauvage athanaze pierre** - May 11 2023

web l évocation des désastres passés nombreuses espèces chassées jusqu à l extinction ou la quasi disparition sur le territoire européen et des errements présents le lynx réintroduit

*inflation le retour à un taux de 2 dans la zone euro yeni Şafak* - Oct 12 2020

web le retour de l europe sauvage s1 l europe du sud animaux nature 2021 50 min 11 s néerlandais indisponible tous publics en italie en grèce et en croatie les équipes de ré

free pdf download gauss math test 2013 answers - Jul 31 2022

web in mathematics and computing university of waterloo waterloo ontario 3355thth anniversary 65043 answer b 4 jean writes five tests and achieves the marks

**gauss contest cemc math uwaterloo ca** - Feb 06 2023

web 7 11 answer c 4 a positive fraction is larger than if its denominator is less than two times its numerator of the answers given 4 is the only fraction in which the

**gauss 8 contest pdf teaching mathematics geometry scribd** - Mar 07 2023

web nov 10 2023 gauss s test if and given a bounded function of as express the ratio of successive terms as for the series converges for and diverges for arfken 1985 p

*gauss math test 2013 answers controlplane themintgaming* - Mar 27 2022

2023 gauss math tournament gauss academy of mathematical - Jan 25 2022

**2018 gauss contests university of waterloo** - Jun 29 2022

web scheme answers previous years board marking scheme answers 2013 2020 with detailed explanation to facilitate exam oriented preparation new typology of questions

*cemc past contests mathematics and computing* - Sep 13 2023

web engaging math books and online learning for students ages 8 13 visit beast academy cemc gauss grade 8 problems and solutions by test 1998 cemc gauss grade 8

2023 gauss contests - May 29 2022

web gauss academy provides a mathematics science and ela after school enrichment program designed to help kids improve their logical and abstract ways of thinking

**3355thth mathematics competition university of waterloo** - Apr 27 2022

web jun 10 2023 2023 gauss mathematics tournament saturday june 10 2023 9 00am 12 30pm online

*gauss s test from wolfram mathworld* - Dec 04 2022

web 25 we convert this to a percent by multiplying by 100 thus tanya scored  $0.80 = 80\%$  on her math quiz answer c 3 using the correct order of operations 4 5 5 4

**gauss contest university of waterloo** - Jan 05 2023

web the centre for education in mathematics and computing cemc uwaterloo ca 2022 gauss contests grades 7 and 8 wednesday may 18 2022 in north america

**2010 gauss contests university of waterloo** - Sep 01 2022

web solutions 2022 university of waterloo grade 7 half of 24 is 12 kiyana gives her friend 12 grapes answer d reading from the graph friday had the highest

**2013 grade 7 gauss math contest questions 21 25 youtube** - Apr 08 2023

web scoring each correct answer is worth 5 in part a 6 in part b and 8 in part c there is no penalty for an incorrect answer each unanswered question is worth 2 to a maximum of

**2016 gauss contests university of waterloo** - Nov 03 2022

web gauss math test 2013 answers practice the teas test of essential academic skills practice test questions aug 30 2022 3 sets of teas r v practice test questions

*art of problem solving* - Jul 11 2023

web feb 20 2021 math mathematics mathcontests amc8 amc10 amc12 gauss pascal cayley fermat euclid mathleaguecanadamath is an online collection of tutorial videos

**2022 gauss contests university of waterloo** - Oct 02 2022

web the correct answer is c we may check that each of the remaining four answers gives a cost that is less than 18 answer c 6 converting each of the improper fractions to a

**art of problem solving** - Aug 12 2023

web 1 audience 2 format 3 mathematical content 4 organization 5 contest preparation 6 links 7 see also audience all students in grades 7 and 8 and interested students from lower

**cemc gauss mathematics contests university of** - Jun 10 2023

web 4 this is a multiple choice test each question is followed by five possible answers marked a b c d and e only one of these is correct when you have made your choice enter

*gauss academy of mathematical education home* - Feb 23 2022

**cemc gauss grade 7 art of problem solving** - May 09 2023

web scoring each correct answer is worth 5 in part a 6 in part b and 8 in part c there is no penalty for an incorrect answer each unanswered question is worth 2 to a maximum of

**2013 gauss contests university of waterloo** - Oct 14 2023

web engaging math books and online learning for students ages 6 13 visit beast academy cemc gauss grade 7 problems and solutions by test 1998 cemc gauss grade 7

**thank someone for an award bonus or raise** - Apr 30 2023

web mar 23 2022 example thank you letter 1 subject thank you dear joanne i really appreciate all of your help in beschaffung our restaurant ready for opening night you ve

free 8 award thank you letter samples in pdf - Jan 28 2023

web may 14 2023 sample 5 awarding letter for completing project on time dear contractor we are writing to express our appreciation for the successful completion of the project on

thank you letter for receiving an award how to templates - Aug 03 2023

web chairman of management committee of the owners corporation delete as appropriate contract award thank you letter

free download as pdf file pdf text file txt or

**the art of gratitude how to write business thank you letters** - Apr 18 2022

thank you letter to contractor how to templates examples - May 20 2022

web nov 1 2023 jailed iranian women s rights activist narges mohammadi has smuggled out a letter of thanks for her nobel peace prize awarded earlier this month saying it marked

**sample thank you letter for contract award** - Dec 15 2021

*thank you letter sample for award* - Jul 22 2022

web sample thank you letter for contract award author ferdinand semmler from orientation sutd edu sg subject sample thank you letter for contract award

**contract acceptance letters what is and how to** - Mar 30 2023

web dear recipients name let me take this opportunity to express my most sincere thanks for honoring me with the employee of the year award thank you so much for recognizing

thank you letter for the contract award writely hub - Sep 04 2023

web guides use a happy appreciative and modest tone to express your gratitude and continuing commitment in this letter how to write this thank you letter express your

**how to write an employee award letter with template** - Mar 18 2022

how to write a business thank you letter with - Jun 01 2023

web if you have been given an award a thank you letter will help establish a good relationship with the person organization that granted you the award here we will give you a few

*how to write an awarding letter to contractor tips and guidelines* - Jun 20 2022

web sep 21 2022 rachel applicant 123 main street anytown ca 12345 555 555 5555 rachel applicant email com august 1 2022 harold lee principal suburb elementary

**job offer thank you letter and email samples the balance** - Nov 13 2021

**free 9 sample award thank you letter templates in pdf** - Oct 25 2022

web jul 19 2023 to say thank you we would like to present you with this year s district award and a thank you gift of 1 500 you can expect to see your additional compensation



**sample letter of thanks for awarding business to customer** - Oct 05 2023

web subject thanks for awarding of the development contract of multimedia cd sir with respect to your letter subject to awarding of the contract we are very much thankful to you and the selection team for this selection we are very much pleased to become a partner

thankyouforcontractawardletter - Jan 16 2022

**corporate thank you letter format samples** - Jul 02 2023

web nov 17 2021 here s how to do it right keep it genuine the goal of expressing appreciation should be to let someone know how their actions have impacted you and or

sample thank you letter for an award letterspro com - Aug 23 2022

web company or entity that confers the contract to the successful tenderer thank you for contract award letter nov 08 2022 thank you for contract award letter a report on

*jailed iranian women s activist smuggles out letter of thanks for* - Oct 13 2021

*contract award thank you letter pdf scribd* - Feb 26 2023

web thank you for award send this letter when you want to thank a person or group for giving you an award you could use a letter of this type for both business and personal

*thank you letter after being awarded a contract issuu* - Feb 14 2022

**examples of business thank you letters for a vendor end of** - Sep 23 2022

web jun 4 2018 read thank you letter after being awarded a contract by stevehvfvf on issuu and browse thousands of other publications on our platform start here

*how to write a meaningful thank you note harvard business* - Dec 27 2022

web samples of a thank you letter to contractor specific instances can help to confirm and strengthen the point you wish to make while writing a thank you letter to contractor for

*12 awarding contract letter templates* - Nov 25 2022

web apr 19 2021 4 informal thank you letter dear customer thank you so much for your recent purchase i appreciate that you chose us as your supplier for your project and that

Eventually, you will completely discover a extra experience and feat by spending more cash. yet when? reach you resign yourself to that you require to acquire those all needs considering having significantly cash? Why dont you try to acquire something basic in the beginning? Thats something that will lead you to understand even more on the order of the globe, experience, some places, in the manner of history, amusement, and a lot more?

It is your categorically own epoch to piece of legislation reviewing habit. in the course of guides you could enjoy now is **Toshiba E Studio 356 Manual** below.

[https://offsite.creighton.edu/files/virtual-library/Documents/is\\_thomas\\_skid\\_steer\\_still\\_in\\_business.pdf](https://offsite.creighton.edu/files/virtual-library/Documents/is_thomas_skid_steer_still_in_business.pdf)

[https://offsite.creighton.edu/files/virtual-library/Documents/jack\\_frost\\_books.pdf](https://offsite.creighton.edu/files/virtual-library/Documents/jack_frost_books.pdf)

[https://offsite.creighton.edu/files/virtual-library/Documents/jean\\_paul\\_gode.pdf](https://offsite.creighton.edu/files/virtual-library/Documents/jean_paul_gode.pdf)

## **Table of Contents Toshiba E Studio 356 Manual**

1. Understanding the eBook Toshiba E Studio 356 Manual
  - The Rise of Digital Reading Toshiba E Studio 356 Manual
  - Advantages of eBooks Over Traditional Books
2. Identifying Toshiba E Studio 356 Manual
  - Exploring Different Genres
  - Considering Fiction vs. Non-Fiction
  - Determining Your Reading Goals
3. Choosing the Right eBook Platform
  - Popular eBook Platforms
  - Features to Look for in an Toshiba E Studio 356 Manual

- User-Friendly Interface
- 4. Exploring eBook Recommendations from Toshiba E Studio 356 Manual
  - Personalized Recommendations
  - Toshiba E Studio 356 Manual User Reviews and Ratings
  - Toshiba E Studio 356 Manual and Bestseller Lists
- 5. Accessing Toshiba E Studio 356 Manual Free and Paid eBooks
  - Toshiba E Studio 356 Manual Public Domain eBooks
  - Toshiba E Studio 356 Manual eBook Subscription Services
  - Toshiba E Studio 356 Manual Budget-Friendly Options
- 6. Navigating Toshiba E Studio 356 Manual eBook Formats
  - ePub, PDF, MOBI, and More
  - Toshiba E Studio 356 Manual Compatibility with Devices
  - Toshiba E Studio 356 Manual Enhanced eBook Features
- 7. Enhancing Your Reading Experience
  - Adjustable Fonts and Text Sizes of Toshiba E Studio 356 Manual
  - Highlighting and Note-Taking Toshiba E Studio 356 Manual
  - Interactive Elements Toshiba E Studio 356 Manual
- 8. Staying Engaged with Toshiba E Studio 356 Manual
  - Joining Online Reading Communities
  - Participating in Virtual Book Clubs
  - Following Authors and Publishers Toshiba E Studio 356 Manual
- 9. Balancing eBooks and Physical Books Toshiba E Studio 356 Manual
  - Benefits of a Digital Library
  - Creating a Diverse Reading Collection Toshiba E Studio 356 Manual
- 10. Overcoming Reading Challenges
  - Dealing with Digital Eye Strain
  - Minimizing Distractions
  - Managing Screen Time
- 11. Cultivating a Reading Routine Toshiba E Studio 356 Manual
  - Setting Reading Goals Toshiba E Studio 356 Manual

- Carving Out Dedicated Reading Time
- 12. Sourcing Reliable Information of Toshiba E Studio 356 Manual
  - Fact-Checking eBook Content of Toshiba E Studio 356 Manual
  - Distinguishing Credible Sources
- 13. Promoting Lifelong Learning
  - Utilizing eBooks for Skill Development
  - Exploring Educational eBooks
- 14. Embracing eBook Trends
  - Integration of Multimedia Elements
  - Interactive and Gamified eBooks

### **Toshiba E Studio 356 Manual Introduction**

In this digital age, the convenience of accessing information at our fingertips has become a necessity. Whether its research papers, eBooks, or user manuals, PDF files have become the preferred format for sharing and reading documents. However, the cost associated with purchasing PDF files can sometimes be a barrier for many individuals and organizations. Thankfully, there are numerous websites and platforms that allow users to download free PDF files legally. In this article, we will explore some of the best platforms to download free PDFs. One of the most popular platforms to download free PDF files is Project Gutenberg. This online library offers over 60,000 free eBooks that are in the public domain. From classic literature to historical documents, Project Gutenberg provides a wide range of PDF files that can be downloaded and enjoyed on various devices. The website is user-friendly and allows users to search for specific titles or browse through different categories. Another reliable platform for downloading Toshiba E Studio 356 Manual free PDF files is Open Library. With its vast collection of over 1 million eBooks, Open Library has something for every reader. The website offers a seamless experience by providing options to borrow or download PDF files. Users simply need to create a free account to access this treasure trove of knowledge. Open Library also allows users to contribute by uploading and sharing their own PDF files, making it a collaborative platform for book enthusiasts. For those interested in academic resources, there are websites dedicated to providing free PDFs of research papers and scientific articles. One such website is Academia.edu, which allows researchers and scholars to share their work with a global audience. Users can download PDF files of research papers, theses, and dissertations covering a wide range of subjects. Academia.edu also provides a platform for discussions and networking within the academic community. When it comes to downloading Toshiba E Studio 356 Manual free PDF files of magazines, brochures, and catalogs, Issuu is a popular choice. This digital publishing platform hosts a vast collection of publications

from around the world. Users can search for specific titles or explore various categories and genres. Issuu offers a seamless reading experience with its user-friendly interface and allows users to download PDF files for offline reading. Apart from dedicated platforms, search engines also play a crucial role in finding free PDF files. Google, for instance, has an advanced search feature that allows users to filter results by file type. By specifying the file type as "PDF," users can find websites that offer free PDF downloads on a specific topic. While downloading Toshiba E Studio 356 Manual free PDF files is convenient, its important to note that copyright laws must be respected. Always ensure that the PDF files you download are legally available for free. Many authors and publishers voluntarily provide free PDF versions of their work, but its essential to be cautious and verify the authenticity of the source before downloading Toshiba E Studio 356 Manual. In conclusion, the internet offers numerous platforms and websites that allow users to download free PDF files legally. Whether its classic literature, research papers, or magazines, there is something for everyone. The platforms mentioned in this article, such as Project Gutenberg, Open Library, Academia.edu, and Issuu, provide access to a vast collection of PDF files. However, users should always be cautious and verify the legality of the source before downloading Toshiba E Studio 356 Manual any PDF files. With these platforms, the world of PDF downloads is just a click away.

### **FAQs About Toshiba E Studio 356 Manual Books**

1. Where can I buy Toshiba E Studio 356 Manual books? Bookstores: Physical bookstores like Barnes & Noble, Waterstones, and independent local stores. Online Retailers: Amazon, Book Depository, and various online bookstores offer a wide range of books in physical and digital formats.
2. What are the different book formats available? Hardcover: Sturdy and durable, usually more expensive. Paperback: Cheaper, lighter, and more portable than hardcovers. E-books: Digital books available for e-readers like Kindle or software like Apple Books, Kindle, and Google Play Books.
3. How do I choose a Toshiba E Studio 356 Manual book to read? Genres: Consider the genre you enjoy (fiction, non-fiction, mystery, sci-fi, etc.). Recommendations: Ask friends, join book clubs, or explore online reviews and recommendations. Author: If you like a particular author, you might enjoy more of their work.
4. How do I take care of Toshiba E Studio 356 Manual books? Storage: Keep them away from direct sunlight and in a dry environment. Handling: Avoid folding pages, use bookmarks, and handle them with clean hands. Cleaning: Gently dust the covers and pages occasionally.
5. Can I borrow books without buying them? Public Libraries: Local libraries offer a wide range of books for borrowing.

- Book Swaps: Community book exchanges or online platforms where people exchange books.
6. How can I track my reading progress or manage my book collection? Book Tracking Apps: Goodreads, LibraryThing, and Book Catalogue are popular apps for tracking your reading progress and managing book collections. Spreadsheets: You can create your own spreadsheet to track books read, ratings, and other details.
  7. What are Toshiba E Studio 356 Manual audiobooks, and where can I find them? Audiobooks: Audio recordings of books, perfect for listening while commuting or multitasking. Platforms: Audible, LibriVox, and Google Play Books offer a wide selection of audiobooks.
  8. How do I support authors or the book industry? Buy Books: Purchase books from authors or independent bookstores. Reviews: Leave reviews on platforms like Goodreads or Amazon. Promotion: Share your favorite books on social media or recommend them to friends.
  9. Are there book clubs or reading communities I can join? Local Clubs: Check for local book clubs in libraries or community centers. Online Communities: Platforms like Goodreads have virtual book clubs and discussion groups.
  10. Can I read Toshiba E Studio 356 Manual books for free? Public Domain Books: Many classic books are available for free as they're in the public domain. Free E-books: Some websites offer free e-books legally, like Project Gutenberg or Open Library.

### **Find Toshiba E Studio 356 Manual :**

[is thomas skid steer still in business](#)

[jack frost books](#)

[jean paul gode](#)

[\*\*jackson's presidency in review\*\*](#)

[\*\*isaac urban dictionary\*\*](#)

[\*\*is blist a word\*\*](#)

[\*is the property and casualty exam hard\*](#)

[\*\*jacques pepin dandelion salad\*\*](#)

[is it okay to sleep with a waist trainer on](#)

[isaiah bible study download](#)

[\*\*is cave a closed syllable\*\*](#)

[iso 9001 2015 clauses and subclauses](#)

*jacques alone season 9*

*isotopes vs ions*

*jay bilas family*

**Toshiba E Studio 356 Manual :**