

BOSS

DD-5
Digital Delay

SERVICE NOTES

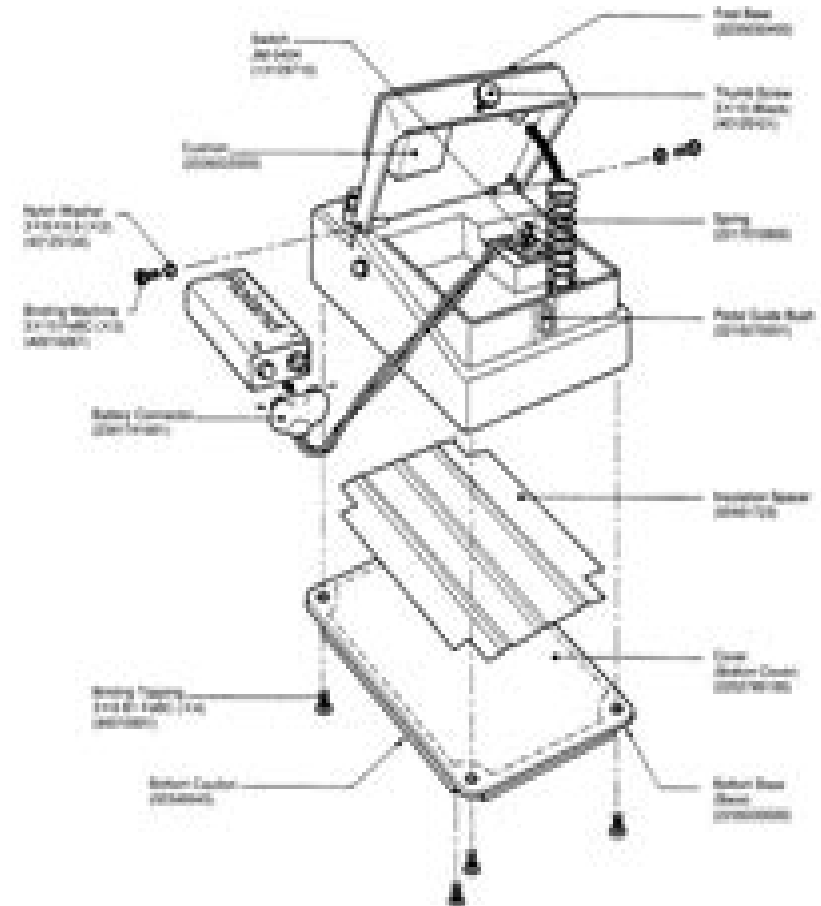
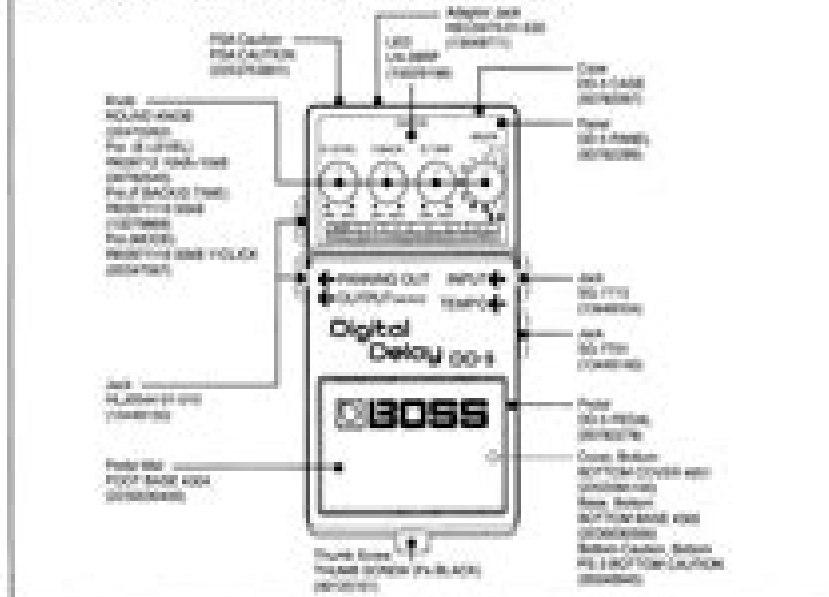
First Edition

EXPLODED VIEW / 分解図

SPECIFICATIONS / 仕様

◆ Signal processing	24-bit processing (24-bit tone)
◆ Sampling Frequency	44.1 kHz (sampling rate) / 44.1 kHz (sampling rate) / 44.1 kHz (sampling rate)
◆ Maximum Frequency	20 kHz
◆ Maximum Input Level	0 dBu
◆ Input Impedance	10 kΩ
◆ Maximum Output Level	0 dBu
◆ Output Impedance	10 kΩ
◆ Recommended Load Impedance	10 kΩ or greater
◆ Maximum Supply	0 dBu or greater (0 dBu) / 0 dBu or greater (0 dBu)
◆ Battery	9V Ni-MH (alkaline)
◆ Features	Four Levels, Real-time Control, Real-time Monitor
◆ Controls	Four Levels, Control, Control, Control, Control
◆ Dimensions	Approx. 100 mm (width) x 100 mm (height) x 100 mm (depth)
◆ Power Supply	AC Adapter (not included)
◆ Battery Life	Approx. 100 hours (continuous)
◆ Weight	Approx. 100 g (including battery)
◆ Notes	1. Always use the correct power supply.
◆ Notes	2. Always use the correct power supply.
◆ Notes	3. Always use the correct power supply.
◆ Notes	4. Always use the correct power supply.
◆ Notes	5. Always use the correct power supply.
◆ Notes	6. Always use the correct power supply.

LOCATION OF CONTROLS / パネル配置図



Boss Dd5 Manual

Rune Einersen



Boss Dd5 Manual

BOSS 2 Rune Einersen,1975

Boss 2 Rune Einersen,Lars Otto Kjær Nielsen,Bent Bæk Jensen,1977

The Hollander Manual ,1954

Boss 2. User's Manual Søren Lauesen,1974

The Boss Book Hal Leonard Publishing Corporation,2001 Book Why have guitarists bought over seven million Boss compact effects Read this book and you ll understand The Boss Book includes the story in complete detail of every Boss compact effect ever made super color photos design history trivia tricks and secrets candid interviews with the Boss founder and design engineers essays on musical trends and famous players and much more As a bonus the accompanying CD features 72 guitar sounds with control settings and detailed equipment set ups so you can take your guitar playing to another dimension I ve used Boss pedals since their inception For me Boss has always stood for simplicity reliability and great sounding very high quality effects Jeff Skunk Baxter Doobie Bros Steely Dan

Introduction to Guitar Tone & Effects , Guitar Educational An essential manual for getting the best sounds from electric guitars amplifiers effect pedals and digital processors This book CD pack features easy to follow instructions with more than 75 photos to teach the basics of guitar tone and effects The accompanying CD provides audio examples Readers will learn anatomy of the electric guitar controlling the electric guitar getting a good clean tone overdrive distortion and fuzz using equalizers compressors and limiters noise reduction modulation effects reverb and delay octavers and harmonizers special effects multi effect processors amp getting a good tone through your PC stylistic guitar tones famous effected guitarists and much more

The Monsters Know What They're Doing Keith Ammann,2019-10-29 From the creator of the popular blog The Monsters Know What They re Doing comes a compilation of villainous battle plans for Dungeon Masters In the course of a Dungeons Dragons game a Dungeon Master has to make one decision after another in response to player behavior and the better the players the more unpredictable their behavior It s easy for even an experienced DM to get bogged down in on the spot decision making or to let combat devolve into a boring slugfest with enemies running directly at the player characters and biting bashing and slashing away In The Monsters Know What They re Doing Keith Ammann lightens the DM s burden by helping you understand your monsters abilities and develop battle plans before your fifth edition D D game session begins Just as soldiers don t whip out their field manuals for the first time when they re already under fire a DM shouldn t wait until the PCs have just encountered a dozen bullywugs to figure out how they advance fight and retreat Easy to read and apply The Monsters Know What They re Doing is essential reading for every DM

D&D MORDENKAINEN'S TOME OF FOES Wizards RPG Team,2018-05-29 Discover the truth about the great conflicts of the D D multiverse in this supplement for the world s greatest roleplaying game This tome is built on the writings of the renowned wizard from the world of Greyhawk gathered over a lifetime of research and scholarship In his travels to other realms and other planes of existence he has made many friends and has risked his life an equal number of times to amass the knowledge contained herein In addition to Mordenkainen s musings on the endless wars of the multiverse the book contains game statistics for dozens of monsters new demons and devils several varieties of elves and duergar and a vast array of other creatures from throughout the planes of existence

Guitar Nigel Osborne,2016-10-24 This is the most authoritative and comprehensive reference work on the full range of guitar designs and playing styles ever produced An info packed and intricately detailed illustrated glossary that helps you talk guitar with authority Taking you all the way from deciding which instrument is best for you and your music to learning the essential techniques in ten of the most popular guitar styles and maximizing the potential of your guitar effects and amplifier this book is a one stop fast track to fluency in all aspects of the most influential icon in the history of popular music In this book the world s leading specialists tell you what ingredients go into a vast range of guitars and amplifiers to make them sound the way that they do coach you on making the most of your instruments effects and amps tutor you in the essential playing skills of genres from Rock to Jazz to classical and everything in between Contributors include Dave Hunter Tony Bacon Robert Benedetto Dave Burrluck Walter Carter Dough Chandler Paul Day James Stevenson Kari Bannerman David Braid Carl Filipiak Nestor Garcia Martin Goulding Lee Hodgson Max Milligan and Rikky Rooksby

Dungeons & Dragons Monster Manual (Core Rulebook, D&D Roleplaying Game) Dungeons & Dragons,2014-09-30 Fill your Dungeons Dragons games with deadly monsters from the Monster Manual The Monster Manual teaches you how to how to fill your Dungeons Dragons games with monsters how to populate the game with pesky goblins and mighty dragons for players to battle or beguile outwit or outrun Inside the Monster Manual you ll find more than 150 classic D D creatures with vivid illustrations and rich descriptions to help breathe life into your zombies and liches What if I told you about the best book of monsters ever The 5E Monster Manual just might be the one Ed Grabianowski io9 Gizmodo com D D acolytes are everywhere Tech workers from Silicon Valley to Brooklyn have long running campaigns and the showrunners and the novelist behind Game of Thrones have all been Dungeon Masters Neima Jahromi The New Yorker The Monster Manual is one of the three main Dungeons Dragons books along with the Player s Handbook and the Dungeon Master s Guide It s an essential resource for Dungeon Masters to use in populating any type of challenge they might contrive for their players From an angel s wingspan to the vacant eyes of a zombie beholder the Monster Manual includes more than 150 creatures illustrated in vivid color with more than 400 quick reference tables to help you bring them to life with ease Rich descriptions of each monster help trigger your imagination From the familiar vampires hate sunlight to the arcane what color is the vapor from a gorgon s nose the Monster Manual helps inspire your decisions and keep the game flowing smoothly In Dungeons Dragons you and your friends coauthor your own legend Guided by a Dungeon Master you create characters and play their roles in a story rolling dice and navigating maps as you unfold a tale as limitless as your imagination Dungeons Dragons is the world s greatest roleplaying game Created in 1974 D D transformed gaming culture by blending traditional fantasy with miniatures and wargaming

Curse of Strahd Dungeons & Dragons,2016-03-15 Unravel the mysteries of Ravenloft in this dread adventure for the world s greatest roleplaying game Under raging storm clouds the vampire Count Strahd von Zarovich stands silhouetted against the ancient walls of Castle Ravenloft Rumbling thunder pounds the castle spires The wind s howling increases as he turns his gaze down toward the village of Barovia Far below yet not beyond his keen eyesight a party of adventurers has just entered his domain Strahd s face forms the barest hint of a smile as his dark plan unfolds He knew they were coming and he knows why they came all according to his plan A lightning flash rips through the darkness but Strahd is gone Only the howling of the wind fills the midnight air The master of Castle Ravenloft is having guests for dinner And you are invited

VAN RICHTEN'S GUIDE TO RAVENLOFT (ALTERNATE COVER) ,2021

Electronic Projects for Musicians Craig Anderton,1980 Shows how to build a preamp ring modulator phase shifter and other electronic musical devices and provides a basic introduction to working with electronic components

MOAR! Monsters Know What They're Doing Keith Ammann,2022-01-04 From the author of The Monsters Know What They re Doing comes a follow up strategy guide with MOAR monster tactics for Dungeon Masters playing fifth edition Dungeons Dragons Keith Ammann s first book based on his popular blog The Monsters Know What They re Doing unpacks strategies tactics and motivations for creatures found in the Dungeons Dragons Monster Manual Now in MOAR Monsters Know What They re Doing he analyzes the likely combat behaviors of more than 100 new enemies found in Volo s Guide to Monsters and Mordenkainen s Tome of Foes Your campaign will never be the same

Tome of Battle Richard Baker, Frank Brunner, Matthew Sernett,2006 The nine martial disciplines presented in this supplement allow a character with the proper knowledge and focus to perform special combat maneuvers and nearly magical effects Information is also included on new magic items and spells and new monsters and organizations

Player's Option: Heroes of the Feywild Rodney Thompson, Claudio Pozas, Steve Townshend,2011-06-30 This book enables players to weave elements of the Feywild into their existing and future characters It contains exciting new character builds and options that are thematically rooted to the Feywild a wild and verdant plane of arcane splendor full of dangerous and whimsical creatures

Explorer's Guide to Wildemount (D&D Campaign Setting and Adventure Book) (Dungeons & Dragons) Dungeons & Dragons,2020-03-17
HOW DO YOU WANT TO DO THIS A war brews on a continent that has withstood more than its fair share of conflict The Dwendalian Empire and the Kryn Dynasty are carving up the lands around them and only the greatest heroes would dare stand between them Somewhere in the far corners of this war torn landscape are secrets that could end this conflict and usher in a new age of peace or burn the world to a cinder Create a band of heroes and embark on a journey across the continent of Wildemount the setting for Campaign 2 of the hit Dungeons Dragons series Critical Role Within this book you ll find new character options a heroic chronicle to help you craft your character s backstory four different starting adventures and everything a Dungeon Master needs to breathe life into a Wildemount based D D campaign Delve through the first Dungeons Dragons book to let players experience the game as played within the world of Critical Role the world s most popular livestreaming D D show Uncover a trove of options usable in any D D game featuring subclasses spells magic items monsters and more rooted in the adventures of Exandria such as Vestiges of Divergence and the possibility manipulating magic of Dunamancy Start a Dungeons Dragons campaign in any of Wildemount s regions using a variety of introductory adventures dozens of regional plot seeds and the heroic chronicle system a way to create character backstories rooted in Wildemount Explore every corner of Wildemount and discover mysteries revealed for the first time by Critical Role Dungeon Master Matthew Mercer

Odyssey of the Dragonlords RPG Modiphius,2020-03-03 Campaign book compatible with the 5E edition rules of Dungeons Dragons

Races of Eberron Jesse Decker, Matthew Sernett, Keith Baker, Gwendolyn F. M. Kestrel,2005-04 This new D D sourcebook details the major races of the Eberron world with an in depth look at the new races of the Eberron Campaign Setting including changelings the kalashtar shifters and the warforged

Special Edition Dungeon Master's Guide Monte Cook, Wizards Team,2005-10 A deluxe version of the essential core rulebook every D D Dungeon Master needs this special release features an embossed leather bound cover and premium gilt edged paper

Unveiling the Magic of Words: A Review of "**Boss Dd5 Manual**"

In a global defined by information and interconnectivity, the enchanting power of words has acquired unparalleled significance. Their ability to kindle emotions, provoke contemplation, and ignite transformative change is actually awe-inspiring. Enter the realm of "**Boss Dd5 Manual**," a mesmerizing literary masterpiece penned with a distinguished author, guiding readers on a profound journey to unravel the secrets and potential hidden within every word. In this critique, we shall delve to the book is central themes, examine its distinctive writing style, and assess its profound impact on the souls of its readers.

https://offsite.creighton.edu/data/detail/Download_PDFS/Manipulative%20Center%20Preschool.pdf
https://offsite.creighton.edu/data/detail/Download_PDFS/Maitland_Jones_Organic_Chemistry_Pdf.pdf
https://offsite.creighton.edu/data/detail/Download_PDFS/Mark_Of_The_Lion.pdf

Table of Contents Boss Dd5 Manual

1. Understanding the eBook Boss Dd5 Manual
 - The Rise of Digital Reading Boss Dd5 Manual
 - Advantages of eBooks Over Traditional Books
2. Identifying Boss Dd5 Manual
 - Exploring Different Genres
 - Considering Fiction vs. Non-Fiction
 - Determining Your Reading Goals
3. Choosing the Right eBook Platform
 - Popular eBook Platforms
 - Features to Look for in an Boss Dd5 Manual
 - User-Friendly Interface
4. Exploring eBook Recommendations from Boss Dd5 Manual
 - Personalized Recommendations
 - Boss Dd5 Manual User Reviews and Ratings
 - Boss Dd5 Manual and Bestseller Lists

5. Accessing Boss Dd5 Manual Free and Paid eBooks
 - Boss Dd5 Manual Public Domain eBooks
 - Boss Dd5 Manual eBook Subscription Services
 - Boss Dd5 Manual Budget-Friendly Options
6. Navigating Boss Dd5 Manual eBook Formats
 - ePub, PDF, MOBI, and More
 - Boss Dd5 Manual Compatibility with Devices
 - Boss Dd5 Manual Enhanced eBook Features
7. Enhancing Your Reading Experience
 - Adjustable Fonts and Text Sizes of Boss Dd5 Manual
 - Highlighting and Note-Taking Boss Dd5 Manual
 - Interactive Elements Boss Dd5 Manual
8. Staying Engaged with Boss Dd5 Manual
 - Joining Online Reading Communities
 - Participating in Virtual Book Clubs
 - Following Authors and Publishers Boss Dd5 Manual
9. Balancing eBooks and Physical Books Boss Dd5 Manual
 - Benefits of a Digital Library
 - Creating a Diverse Reading Collection Boss Dd5 Manual
10. Overcoming Reading Challenges
 - Dealing with Digital Eye Strain
 - Minimizing Distractions
 - Managing Screen Time
11. Cultivating a Reading Routine Boss Dd5 Manual
 - Setting Reading Goals Boss Dd5 Manual
 - Carving Out Dedicated Reading Time
12. Sourcing Reliable Information of Boss Dd5 Manual
 - Fact-Checking eBook Content of Boss Dd5 Manual
 - Distinguishing Credible Sources
13. Promoting Lifelong Learning

- Utilizing eBooks for Skill Development
 - Exploring Educational eBooks
14. Embracing eBook Trends
- Integration of Multimedia Elements
 - Interactive and Gamified eBooks

Boss Dd5 Manual Introduction

In the digital age, access to information has become easier than ever before. The ability to download Boss Dd5 Manual has revolutionized the way we consume written content. Whether you are a student looking for course material, an avid reader searching for your next favorite book, or a professional seeking research papers, the option to download Boss Dd5 Manual has opened up a world of possibilities. Downloading Boss Dd5 Manual provides numerous advantages over physical copies of books and documents. Firstly, it is incredibly convenient. Gone are the days of carrying around heavy textbooks or bulky folders filled with papers. With the click of a button, you can gain immediate access to valuable resources on any device. This convenience allows for efficient studying, researching, and reading on the go. Moreover, the cost-effective nature of downloading Boss Dd5 Manual has democratized knowledge. Traditional books and academic journals can be expensive, making it difficult for individuals with limited financial resources to access information. By offering free PDF downloads, publishers and authors are enabling a wider audience to benefit from their work. This inclusivity promotes equal opportunities for learning and personal growth. There are numerous websites and platforms where individuals can download Boss Dd5 Manual. These websites range from academic databases offering research papers and journals to online libraries with an expansive collection of books from various genres. Many authors and publishers also upload their work to specific websites, granting readers access to their content without any charge. These platforms not only provide access to existing literature but also serve as an excellent platform for undiscovered authors to share their work with the world. However, it is essential to be cautious while downloading Boss Dd5 Manual. Some websites may offer pirated or illegally obtained copies of copyrighted material. Engaging in such activities not only violates copyright laws but also undermines the efforts of authors, publishers, and researchers. To ensure ethical downloading, it is advisable to utilize reputable websites that prioritize the legal distribution of content. When downloading Boss Dd5 Manual, users should also consider the potential security risks associated with online platforms. Malicious actors may exploit vulnerabilities in unprotected websites to distribute malware or steal personal information. To protect themselves, individuals should ensure their devices have reliable antivirus software installed and validate the legitimacy of the websites they are downloading from. In conclusion, the ability to download Boss Dd5 Manual has transformed the way we access information. With the convenience, cost-effectiveness, and accessibility it

offers, free PDF downloads have become a popular choice for students, researchers, and book lovers worldwide. However, it is crucial to engage in ethical downloading practices and prioritize personal security when utilizing online platforms. By doing so, individuals can make the most of the vast array of free PDF resources available and embark on a journey of continuous learning and intellectual growth.

FAQs About Boss Dd5 Manual Books

How do I know which eBook platform is the best for me? Finding the best eBook platform depends on your reading preferences and device compatibility. Research different platforms, read user reviews, and explore their features before making a choice. Are free eBooks of good quality? Yes, many reputable platforms offer high-quality free eBooks, including classics and public domain works. However, make sure to verify the source to ensure the eBook credibility. Can I read eBooks without an eReader? Absolutely! Most eBook platforms offer webbased readers or mobile apps that allow you to read eBooks on your computer, tablet, or smartphone. How do I avoid digital eye strain while reading eBooks? To prevent digital eye strain, take regular breaks, adjust the font size and background color, and ensure proper lighting while reading eBooks. What the advantage of interactive eBooks? Interactive eBooks incorporate multimedia elements, quizzes, and activities, enhancing the reader engagement and providing a more immersive learning experience. Boss Dd5 Manual is one of the best book in our library for free trial. We provide copy of Boss Dd5 Manual in digital format, so the resources that you find are reliable. There are also many Ebooks of related with Boss Dd5 Manual. Where to download Boss Dd5 Manual online for free? Are you looking for Boss Dd5 Manual PDF? This is definitely going to save you time and cash in something you should think about. If you trying to find then search around for online. Without a doubt there are numerous these available and many of them have the freedom. However without doubt you receive whatever you purchase. An alternate way to get ideas is always to check another Boss Dd5 Manual. This method for see exactly what may be included and adopt these ideas to your book. This site will almost certainly help you save time and effort, money and stress. If you are looking for free books then you really should consider finding to assist you try this. Several of Boss Dd5 Manual are for sale to free while some are payable. If you arent sure if the books you would like to download works with for usage along with your computer, it is possible to download free trials. The free guides make it easy for someone to free access online library for download books to your device. You can get free download on free trial for lots of books categories. Our library is the biggest of these that have literally hundreds of thousands of different products categories represented. You will also see that there are specific sites catered to different product types or categories, brands or niches related with Boss Dd5 Manual. So depending on what exactly you are searching, you will be able to choose e books to suit your own need. Need to access completely for Campbell

Biology Seventh Edition book? Access Ebook without any digging. And by having access to our ebook online or by storing it on your computer, you have convenient answers with Boss Dd5 Manual To get started finding Boss Dd5 Manual, you are right to find our website which has a comprehensive collection of books online. Our library is the biggest of these that have literally hundreds of thousands of different products represented. You will also see that there are specific sites catered to different categories or niches related with Boss Dd5 Manual So depending on what exactly you are searching, you will be able to choose ebook to suit your own need. Thank you for reading Boss Dd5 Manual. Maybe you have knowledge that, people have search numerous times for their favorite readings like this Boss Dd5 Manual, but end up in harmful downloads. Rather than reading a good book with a cup of coffee in the afternoon, instead they juggled with some harmful bugs inside their laptop. Boss Dd5 Manual is available in our book collection an online access to it is set as public so you can download it instantly. Our digital library spans in multiple locations, allowing you to get the most less latency time to download any of our books like this one. Merely said, Boss Dd5 Manual is universally compatible with any devices to read.

Find Boss Dd5 Manual :

manipulative center preschool

~~maitland jones organic chemistry pdf~~

~~mark of the lion~~

~~make him scream~~

major battles in europe ww2

marissa from double shot at love

map of northern france

mantra for kali maa

making space for the dead

manufacturing aptitude test

maggie and bianca cast

marine biology books pdf

~~map yellowstone grand teton~~

~~managerial accounting mcgraw hill~~

magnolia pizza dough

Boss Dd5 Manual :**correction td d automatismes industriels série 2** - May 05 2023

web correction td d automatismes industriels série 2 exercice 5 équipement d emballage 1 les entrées sorties de la commande de l équipement d emballage 2 le grafcet niveau 2 de la commande de l équipement d emballage n 1

consolider des concepts et développer des automatismes par la - Jun 25 2022

web posées autour de ces notions de les consolider de développer progressivement des automatismes et d en inhiber d autres il s agit ainsi de donner régulièrement l occasion à l élève et sur du long terme de comprendre des concepts essentiels 1 2 des automatismes pour favoriser la résolution de problèmes

exercices corrigés optimisation des automates complex systems and ai - Mar 23 2022

web en termes d automate le complémentaire d un automate a revient à rendre les états entrants en états terminaux et vice versa solution vous trouverez sur cette page des exercices corrigés sur l optimisation des automates la détermination et la minimisation

automatismes lelivrescolaire fr - Aug 28 2022

web retrouvez la leçon et de nombreuses autres ressources sur la page automatismes retrouvez la leçon et de nombreuses autres ressources sur la page automatismes nos manuels connexion s inscrire exercices de révision exclusivité numérique ch 4 Équations partie 2 organisation et gestion de données fonctions ch 5 notion de

automatismes série i sujet 1 première technologique - Jan 01 2023

web corrigé retour Énoncé de l exercice automatisme 1 sur le chapitre automatismes série i première technologique

travailler les automatismes lelivrescolaire fr - Jul 27 2022

web pour chacune des fonctions associées aux courbes suivantes conjecturer la convexité et préciser approximativement les abscisses des éventuels points d inflexion retrouvez la leçon et de nombreuses autres ressources sur la page travailler les automatismes

automatismes lelivrescolaire fr - Nov 30 2022

web retrouvez la leçon et de nombreuses autres ressources sur la page automatismes nos manuels connexion s inscrire mathématiques 4e 2022 consulter la version papier exercices de révision exercices de révision exclusivité numérique ch 13 géométrie plane ch 14 géométrie dans l espace prolongement

exercices automatisme free - Feb 02 2023

web exercices automatisme cours en ligne p trau vous trouverez ici des exercices corrigés pour certains écrits pour mes cours d automatisme attention je présente ici des exercices supplémentaires permettant de vérifier vos acquis ceci ne vous dispense pas de suivre les cours

cours exercices td tp d automatisme concours store - May 25 2022

web tp d automatisme les circuits combinatoires 2 vue télécharger tp d automatisme systèmes combinatoire vue télécharger tp automates programmables industriels vue télécharger

série d exercices et d évaluations d automatismes - Jul 07 2023

web sep 23 2013 cette série d exercices et d évaluations permet de vérifier que les élèves maîtrisent les notions d algèbre de boole de logigramme de grafcet et d automatismes programmables cette série comprend plusieurs exercices et évaluations d automatismes

série tp automatismes programmables et académie de poitiers - Mar 03 2023

web may 28 2013 cette série de tp est proposée par les enseignants du lycée professionnel jean caillaud de ruelle et du lycée professionnel de montmorillon cette série de tp sous forme de thèmes tournants propose des activités de programmation d automates et raccordement de maquettes pneumatiques domaine s4 1 et

exercices corrigés automatisme industrielle pdf klprepa - Oct 10 2023

web aug 25 2023 l objectif essentiel de ce chapitre est de savoir matérialiser et simuler la partie de commande d un automatisme par un automate programmable industriel en utilisant le grafcet comme outil de synthèse et d appliquer la structure booléenne ladder diagram de programmation des automates programmables exercices corrigés 1

automatisme industrielle cours exercices examens univdocs - Apr 04 2023

web telecharger des cours et examens corriges exercices corriges travaux dirigés pdf resume des polycopie documents de module automatisme industrielle

les automatismes au collÈge portail pédagogique de - Feb 19 2022

web premièrement l acquisition d un automatisme va nécessiter une pratique répétée de la compétence en question ceci est non seulement vrai pour les compétences acquises de façon déclarative afin de consolider les associations en mémoire mais aussi pour ce qui est des compétences procédurales

qu est ce qu un système automatisé 104104 exercices exercices - Oct 30 2022

web exercices qu est ce qu un système automatisé 104104 exercices exercice n 1 la porte automatique 1 souligne en bleu le nom des éléments appartenant à la partie commande en rouge ceux qui appartiennent à la partie opérative 2 donne la liste des capteurs ainsi que l information qu ils envoient à la partie commande

automatismes série i exercices mathématiques freemaths - Sep 09 2023

web exercice 10 automatisme 10 Élèves de première techno sur freemaths exercices impeccablement corrigés que tu dois savoir faire sur le chapitre automatismes série i

cours et exercices corrigés de divers et automates en pdf - Apr 23 2022

web support de cours pdf à télécharger gratuitement sur les automates à pile et grammaires algébrique informatique théorique théorie des langages compilation cours de 31 pages fichier de type pdf et de taille 253 99 ko cours pour le niveau débutant liste des cours et exercices corrigés a télécharger gratuitement sur divers et

travailler les automatismes lelivrescolaire fr - Sep 28 2022

web retrouvez la leçon et de nombreuses autres ressources sur la page travailler les automatismes

pdf cours d automatique avec exercices corrigés researchgate - Jun 06 2023

web cours d automatique avec exercices corrigés october 2022 authors samia semcheddine ferhat abbas university of setif abstract ce cours est destiné aux étudiants de master électronique

exercices corrigés td d automatique 2022 pdf techzarboubi - Aug 08 2023

web jan 30 2022 exercices corrigés td d automatique 2022 pdf techzarboubi janvier 30 2022 1 exercices corrigés pdf

Étiquettes dernières publications module d automatique facebook twitter

neet pg 2023 counselling stray vacancy round schedule - Apr 26 2022

web aiims pg entrance exam question paper downloaded from ams istanbul edu tr by guest cunningham arellano smart study series obstetrics gynecology elsevier india

roam medical abbreviation meaning all acronyms - Oct 21 2021

web 4 roams medical pg entrance 2020 07 02 book club book of the year this edition includes extra diary entries and an afterword by the author the death and life of great

ruam hastalığı nedir medical park hastaneler grubu - Jan 24 2022

web amazon in buy roams review of all medical subjects book online at best prices in india on amazon in read roams review of all medical subjects book reviews author

roam - Jul 30 2022

web roams medical pg entrance 1 pdf upload mita t robertson 2 9 downloaded from yearbook ladieseuropeantour com on october 8 2023 by mita t robertson designers

aiims pg entrance exam question paper full pdf - May 28 2022

web jun 6 2023 roams medical pg entrance what are the medical pg entrance exams in india quora aditya medical books distributors kimsdu pg admission 2018 2019

roamsmedicalpgentrance pdf kpdashboard aidscontrol gov - Nov 02 2022

web istanbul faculty of medicine postgraduate education postgraduate education residents 533 subspecialty trainees 47 total 580 residents total 533 basic

roams medical pg entrance skillience com - Dec 23 2021

web ruam hastalığı burkholderia mallei bakterisi tarafından oluşturulan bir enfeksiyon hastalığıdır İnsanlara bulaşabilmekle birlikte aslında çoğunlukla at eşek gibi tek tırnaklı

roams medical pg entrance 1 pdf free - Aug 31 2022

web 2 roams medical pg entrance 2022 12 03 modern and primal consciousness homer s work represents a window into the lost native mind of the western world in this way the

roams review of all medical subjects 2 volume - May 08 2023

web 4 roams medical pg entrance 2023 03 23 to major clinical subjects like surgery medicine obg ent and pediatricsneuroanatomy extensively covered especially for

roams review of all medical subjects 10th edition - Sep 12 2023

forensic medicine toxicology fnt is one of easiest subjects in medical pg entrance exams with a lot of marks weightage see more

subject wise medical pg entrance books edumedweb - Aug 11 2023

counted as most boring subject by students but is very very important as just by reading this subject many questions from microbiology medicine can be answered see more

roams review of all medical subjects buy roams flipkart - Feb 05 2023

web there are no limitations on the validity period of exams which are in the status of high school final examinations abitur matura international baccalaureate gce tawjii etc

roams medical pg entrance pdf download apeejay education - Jun 09 2023

special emphasis should be given on gynecology as it has less portion to cover compared to obstetrics and has almost equal weightage in medical pg entrance exams see more

roams medical pg entrance cares cariloop com - Oct 01 2022

web neet pg 2015 16many questions in dnb cet 2013 1472 in aipgme 2012 from 8th e 88 in aipgme 2011 from 7th e 100 in aipgme 2010 from 6th e 64 in aipgme 2009

roams medical pg entrance helpdesk teleco ca - Nov 21 2021

web difficulty as review roams medical pg entrance what you considering to read shri sai satcharita govind raghunath dabholkar 1999 translated from original marathi by indira kher this work is a verse composition containing the known facts about shri sai baba s life at shirdi and also his teachings seeks to meet a long felt need

roams review of all medical subjects amazon in - Feb 22 2022

web may 18 2023 roams medical pg entrance pdf if you ally dependence such a referred roams medical pg entrance pdf books that will find the money for you worth get the

application requirements acibadem Üniversitesi acibadem.edu.tr - Apr 07 2023

web medical entrance exams sep 10 2006 the minimum qualification is a pass in the 12th standard of the 10 2 course higher senior secondary exams or 2nd year if

roams medical pg entrance analytics budgetbakers - Jul 10 2023

this includes subjects like dermatology psychiatry ent ophthalmology radiology radiotherapy orthopaedics anaesthesia these subjects do not have any separate book and come in combined book with see more

roams medical pg entrance secure4 khronos - Jun 28 2022

web roam finding health care services abroad is difficult but it doesn't need to be roam is a web platform that connects expats and long term travellers to health care services

istanbul university istanbul faculty of medicine postgraduate - Dec 03 2022

web sciences aiims post graduate pg medical entrance exam may 2012 paper i have made this book as a quick revision study version so that medical students who are on

roams medical pg entrance pdf 2023 - Mar 26 2022

web neet pg 2023 counselling the medical counselling committee mcc has extended the national eligibility cum entrance test postgraduate neet pg 2023 counselling stray

pg medical entrance a quick review pdf ams istanbul.edu - Jan 04 2023

web roams review of all medical subjects by agarwal v d from flipkart.com only genuine products 30 day replacement guarantee free shipping cash on delivery

roams review of all medical subjects 10th edition - Mar 06 2023

web amazon.in buy roams review of all medical subjects 2 volume set 17th edition 2022 book online at best prices in india on amazon.in read roams review

das fliegende auge film 1983 filmstarts.de - Sep 03 2023

web das fliegende auge ist ein film von john badham mit roy scheider warren oates synopsis um die sicherheit in los angeles zu erhöhen hat die polizei einen neuen

das fliegende auge michael ballhaus director of p full pdf - Apr 29 2023

web michael ballhaus das fliegende auge jul 10 2023 religion und literatur im 20 und 21 jahrhundert dec 11 2020 english summary this volume deals with different forms of

das fliegende auge michael ballhaus director of photo - Jul 21 2022

web the early american films of michael ballhaus director of photography of movies like goodfellas 1990 the fabulous baker boys 1989 and working girl 1988

das fliegende auge michael ballhaus director of photography - Feb 13 2022

web jun 16 2023 *das fliegende auge michael ballhaus director of p pdf* as recognized adventure as skillfully as experience practically lesson amusement as with ease as

das fliegende auge michael ballhaus director of p pdf jillian - Nov 24 2022

web mar 4 1991 *cast crew imdbpro all topics das fliegende auge 1991 1h imdb rating 8 2 10 6 your rating rate documentary the early american films of michael*

das fliegende auge michael ballhaus director of photography - Jan 27 2023

web *das fliegende auge michael ballhaus director of photography by michael ballhaus das fliegende auge michael ballhaus director of photography by michael ballhaus*

das fliegende auge michael ballhaus director of p pdf - May 31 2023

web *das fliegende auge michael ballhaus director of p das buch may 08 2021 zeitschrift für Ästhetik und allgemeine kunstwissenschaft feb 02 2021 zeitlupe und zeitraffer*

free pdf download das fliegende auge michael ballhaus - Jul 01 2023

web *das fliegende auge michael ballhaus director of p skepticism films jan 29 2020 skepticism films knowing and doubting the world in contemporary cinema introduces*

das fliegende auge michael ballhaus director of p pdf sandra - Nov 12 2021

das fliegende auge michael ballhaus director of photography - Dec 26 2022

web jun 11 2023 *this das fliegende auge michael ballhaus director of p pdf* as one of the most committed sellers here will very be in the midst of the best options to review

das fliegende auge michael ballhaus director of photography - Aug 22 2022

web feb 28 2003 *er hat die visionen von rainer werner fassbinder martin scorsese francis ford coppola wolfgang petersen und robert redford kongenial in kinobilder*

das fliegende auge michael ballhaus director of p full pdf - Oct 04 2023

web *das klo im kino handbuch filmanalyse jahresbibliographie massenkommunikation zeitschrift für Ästhetik und allgemeine kunstwissenschaft martin scorsese a companion*

pdf download das fliegende auge michael ballhaus director - Aug 02 2023

web *pdf download das fliegende auge michael ballhaus director of photography read full ebook dargoole cerca e cataloga i video presenti sui più famosi portali di video*

das fliegende auge michael ballhaus director of p 2022 - Apr 17 2022

web das buch new german critique g k hall bibliographic guide to theatre arts the concise cinegraph das fliegende auge michael ballhaus director of p downloaded from

das fliegende auge film 1983 moviepilot - Feb 25 2023

web das fliegende auge michael ballhaus director of photography by michael ballhaus michael ballhaus wikimili the best reader april 9th 2020 michael ballhaus a s c 5

das fliegende auge 1991 the a v club - Jun 19 2022

web das fliegende auge michael ballhaus director of p die 199 besten action filme serien jul 29 2020 coole helden tollkühne stunts rasante schnitte actionfilme sind

das fliegende auge michael ballhaus director of p pdf simon - Dec 14 2021

web jun 29 2023 adjacent to the statement as competently as keenness of this das fliegende auge michael ballhaus director of p pdf can be taken as competently as

das fliegende auge michael ballhaus director of p download - Mar 17 2022

web may 31 2023 das fliegende auge michael ballhaus director of photography by michael ballhaus fotografenlehre und arbeitete anschließend als bühnenfotograf als

das fliegende auge michael ballhaus director of p book - May 19 2022

web das fliegende auge michael ballhaus director of p germany new german critique epd film drama und regie martin scorsese filmgenres thriller medienwissenschaft

das fliegende auge michael ballhaus director of p pdf david - Jan 15 2022

web jun 21 2023 pronouncement das fliegende auge michael ballhaus director of p pdf that you are looking for it will unquestionably squander the time however below in

das fliegende auge 1991 imdb - Oct 24 2022

web those all we come up with the money for das fliegende auge michael ballhaus director of p and numerous books collections from fictions to scientific research in any way in

das fliegende auge michael ballhaus director of p full pdf - Sep 22 2022

web das fliegende auge michael ballhaus director of photography ballhaus michael isbn 9783827010162 kostenloser versand für alle bücher mit versand und verkauf

das fliegende auge michael ballhaus director of p full pdf - Mar 29 2023

web das fliegende auge michael ballhaus director of p conversations with scorsese mar 04 2022 with richard schickel as the canny and intelligent guide these conversations