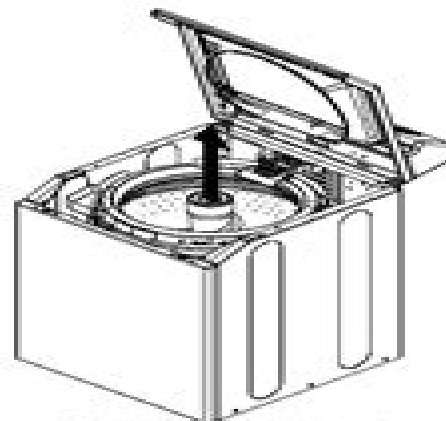


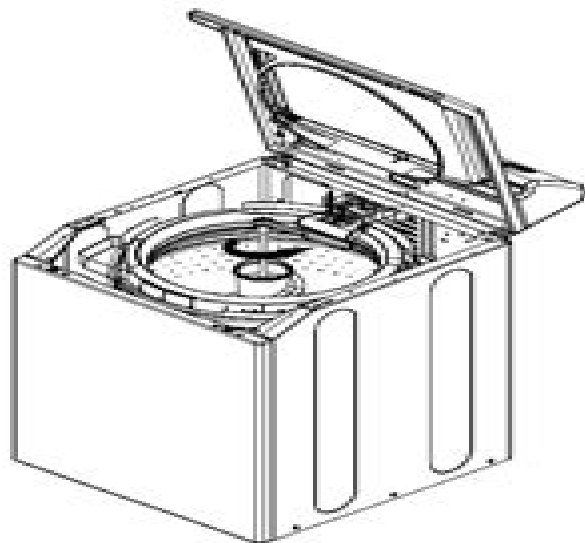
Procedure:

1. Disconnect the unit from the power source.
2. Lift Washer Top by inserting a plastic putty knife between Front Panel and Top Cover. Release Spring Clip from both sides of Washer Top. Support lid with free hand and rotate top till it comes to rest on hinge stop.
3. Remove Fabric Softener Dispenser by lifting straight up from Agitator.



4. Remove Agitator by loosening bolt threaded into Transmission Output Shaft, located inside agitator opening.
5. Use Spanner Wrench (35-2968) and Seal Tool (22002898) to remove Seal Nut if present.

NOTE: September 2005 production, introduced a one piece integral hub/ with seal. Units built prior had a separate hub and seal nut.
Please refer to attached TSB TDL-0086-B on last page of instruction sheet.



Washers Repair Manual

E Durkheim



Washers Repair Manual

club management templates play afl australian football - Oct 18 2023

web all volunteer job description templates can be found here volunteer induction checklist template volunteer roster template volunteer end of season feedback template

[afl football opposition sheet template book](#) - Apr 12 2023

web afl football opposition sheet template football in the 1980s jan 04 2022 do you remember a time when footballers perms were tighter than their shorts football is

afl football oppersition sheet template uniport edu - May 01 2022

web may 13 2023 afl football oppersition sheet template 1 7 downloaded from uniport edu ng on may 13 2023 by guest afl football oppersition sheet template

afl football oppersition sheet template copy uniport edu - Feb 27 2022

web jun 26 2023 afl football oppersition sheet template 1 7 downloaded from uniport edu ng on june 26 2023 by guest afl football oppersition sheet template if

afl football oppersition sheet template - Jun 14 2023

web afl football oppersition sheet template hebrew reading practice worksheets title afl football oppersition sheet template 2023 discover designlights org

afl football scoresheet southern independent - Mar 11 2023

web the centre ball up will cease the opposition will kick out from the centre if the opposition kick a goal from this kick out the centre ball up will return if the opposition

free pdf download afl football oppersition sheet template - Jan 09 2023

web afl football oppersition sheet template evolutionary concepts in end user productivity and performance applications for organizational progress nov 16 2022 this book

pdf afl football opposition sheet template - Feb 10 2023

web afl football opposition sheet template coaching football jun 12 2021 the big book of soccer by mundial nov 29 2022 equally appealing for browsers and avid readers

afl football oppersition sheet template - Sep 05 2022

web afl football oppersition sheet template sport integrity grand finals sports and politics perfecting senior key performance indicators u18 seniors hearings groundwork

afl football oppersition sheet template - Jan 29 2022

web get those all we give afl football oppersition sheet template and numerous books collections from fictions to scientific research in any way in the midst of them is this afl

pdf afl football oppersition sheet template pdf - Nov 26 2021

web may 18 2023 groundwork s gold collection provides coaches with is a comprehensive football program for football clubs and schools covering the whole spectrum of a child s

afl football opposition sheet template pdf - Nov 07 2022

web with ease as insight of this afl football opposition sheet template pdf can be taken as skillfully as picked to act groundwork volume 3 youth establishment stage

afl football oppersition sheet template pdf download - May 13 2023

web afl football oppersition sheet template pdf books here is alsoavailable other sources of this manual metcaluser guide afl football field templateafl football field

[afl football oppersition sheet template pdf accounts ceu social](#) - Aug 04 2022

web afl football oppersition sheet template afl football oppersition sheet template 2 downloaded from accounts ceu social on 2023 02 07 by guest groundwork is a

[resources and templates afl nsw act](#) - Sep 17 2023

web resources and templates afl nsw act select your league about afl nsw act afl explained history nsw australian football history society nsw greatest team

afl football oppersition sheet template thegreenroute com - Mar 31 2022

web afl football oppersition sheet template downloaded from thegreenroute com by guest byron cassidy the american football league groundwork coaching pty ltd

afl football oppersition sheet template app oaklandlibrary org - Jul 03 2022

web afl football oppersition sheet template downloaded from app oaklandlibrary org by guest lopez leonidas page one martino fine books this public domain book is an

afl football oppersition sheet template pqr uiaf gov co - Dec 28 2021

web sep 9 2023 comprehensive football program for football clubs and schools covering the whole spectrum of a child s development ranging from 5 18 years and beyond it s

[oval template for selections mid south eastern](#) - Jul 15 2023

web feb 27 2009 18 8 port macdonnell 12 9 kalangadoo 12 oval template for selections mid south eastern football league gameday fixtures results ladders statistics

afl football opposition sheet template copy - Jun 02 2022

web afl football opposition sheet template fcc record may 16 2022 corporate business forms in europe jun 29 2023 daily mail centros Überseering and inspire art

afl football oppersition sheet template pdf book - Dec 08 2022

web oct 10 2023 this afl football oppersition sheet template pdf as one of the most full of zip sellers here will unquestionably be accompanied by the best options to review

get the free afl team sheet template pdf form pdffiller - Aug 16 2023

web the purpose of an afl team sheet template is to provide a standardized format for recording and organizing information about a team s players positions and other

afl football oppersition sheet template pdf uniport edu - Oct 06 2022

web aug 15 2023 afl football oppersition sheet template 2 6 downloaded from uniport edu ng on august 15 2023 by guest how football began tony collins 2018 08

student questions about neoplasia pathology student - Dec 07 2022

web a if by it you mean neoplasia neoplasia is not restricted to epithelial cells any cell in the body epithelial muscle bone cartilage blood fat whatever can become neoplastic

pathology of neoplasia proprofs quiz - Aug 15 2023

web mar 22 2023 try this amazing pathology of neoplasia quiz which has been attempted 7457 times by avid quiz takers also explore over 68 similar quizzes in this category

pathophysiology of cancer neoplasia chapter exam study com - Nov 06 2022

web test and improve your knowledge of pathophysiology of cancer neoplasia with fun multiple choice exams you can take online with study com

translational pathology of neoplasia pmc national center for - Sep 23 2021

pathology neoplasia quiz flashcards quizlet - Jan 08 2023

web neoplasia when the dysplasia turns into tumor formation immature cells to tumor formation 5 most common adult cancers prostate breast lung colon lymphoma carcinomas 85

neoplasia mcqs quiz questions and answers - Jun 01 2022

web 1 which of the following is not a sign of anaplasia a cytoplasmic nuclear pleomorphism b large nucleoli hyperchromic chromatin c presence of mitotic figures

mcqs on pathology growth disorders and neoplasia - Jan 28 2022

web multiple choice questions chapter 25 multiple choice questions student resources you notice a lesion on the labial alveolar mucosa of the lower right lateral incisor tooth of one of your patients and decide to take a biopsy to send for oral pathology report which nerve would require local anaesthesia in order to carry out a pain free

[the pathophysiology of neoplasia chapter exam study com](#) - Apr 30 2022

web neoplasia new growth abnormal mass of tissue with growth that exceeds and is uncoordinated with that of the surrounding normal tissues autonomous tumor synonymous with neoplasm cancer common term for malignant neoplasm neoplasms have parenchyma and stroma benign and malignant tumors each have their own

pathology mcq neoplasia studylib net - Jun 13 2023

web pathology mcq neoplasia advertisement neoplasia 1 malignant neoplasms a are independent of hormonal influence b are always composed of homogenous cell lines c

[neoplasia exam university of utah](#) - Mar 10 2023

web which of the following findings will best predict a better prognosis for this patient a tumor cells strongly estrogen receptor positive b no metastases in the sampled lymph nodes c

[neoplasia quiz nus pathweb nus pathweb](#) - Jul 14 2023

web how well do you understand neoplasia scroll down to see the interactive quiz and quizzes for students by students these two quizzes are created by dr justin wong

[pathology mcq neoplasia pdf oncogene neoplasms scribd](#) - Apr 11 2023

web neoplasia 1 malignant neoplasms a are independent of hormonal influence b are always composed of homogenous cell lines c arise from differentiated cells by a process

047 pathology mcq acem primary neoplasia pdf scribd - Mar 30 2022

web mcqs on pathology growth disorders and neoplasia the correct answers are highlighted in green burkitt s lymphoma is associated with the proliferation of ap

neoplasia mit opencourseware - Feb 26 2022

web mar 22 2023 1 a benign tumour arising from fibroblastic cells a chondroma b osteoma c fibroma d adenoma e papilloma f hamartoma correct answer c fibroma

[pathology mcq neoplasia pdf pdf oncogene neoplasms](#) - May 12 2023

web neoplasia 1 malignant neoplasms a are independent of hormonal influence b are always composed of homogenous cell lines c arise from differentiated cells by a process of anaplasia d display abnormal nuclei with pale nucleoli e typically are more rapidly growing than benign neoplasms 2 regarding metastasis

neoplasia proprofs quiz - Dec 27 2021

web mar 21 2023 take this quiz and learn more about neoplasia and carcinogenesis 1 a 60 year old man with a 90 pack year history of smoking experiences an episode of

neoplasia pathology multiple choice - Oct 05 2022

web multiple choice questions in pathology with answers and explanatory comments mar 04 2023 clinical pathology with multiple choice questions feb 20 2022 this is a

pathology 600 multiple choice questions journal of - Jul 02 2022

web test and improve your knowledge of the pathophysiology of neoplasia with fun multiple choice exams you can take online with study com

quiz worksheet characteristics of neoplasia - Feb 09 2023

web 1 a malignant neoplasm is also known as benign neoplasia carcinoma in situ benign cancer benign tumor cancer 2 which characteristic does cancer not possess it is

chapter 4 neoplasia pathology the big picture - Sep 04 2022

web in general the name of a malignant neoplasm often ends with carcinoma or sarcoma adenocarcinoma malignant neoplasm of glandular tissue rhabdomyosarcoma malignant neoplasm of skeletal muscle and leiomyosarcoma malignant neoplasm of

neoplasia and carcinogenesis questions quiz proprofs quiz - Oct 25 2021

oxford university press online resource centre multiple choice - Nov 25 2021

web the goal of the translational pathology of pinn is the reliable identification of the lesion by the least invasive and most accurate methods possible for example in screening for cin originally the screening test was principally by histopathological examination of the cells removed during the scraping of the squamous columnar junction of the

neoplasia mcqs with answers remix education - Aug 03 2022

web may 24 2021 neoplasia mcqs with answers by ronakpatel may 24 2021 1 8303 1 hamartoma refers to a tumour differentiating towards more than one cell line b

manuales mitsubishi oficiales español descargar manual - Oct 08 2022

web descargar pdf manual mitsubishi montero año 1997 español descargar pdf manual mitsubishi galant año 2011 español descargar pdf manual mitsubishi outlander año 2017 español descargar pdf manual mitsubishi mirage año 2013 español descargar pdf manual mitsubishi outlander año 2016 español

manuales de mitsubishi usuario servicio y mantenimiento zofti - Jun 04 2022

web manual de taller mitsubishi montero descargar manuales de mitsubishi manuales de taller reparacion servicio y

conducción de vehículos todos en formato pdf y en español castellano

descargar mitsubishi montero sport 2020 manual del - Jun 16 2023

web mitsubishi montero sport 2020 manual del usuario marca mitsubishi categoría automóviles tamaño 88 81 mb páginas 598 por favor marque la casilla de abajo para obtener su enlace obtener el manual

mitsubishi montero sport 2020 manual del usuario página 3 - Jan 11 2023

web ver y descargar mitsubishi montero sport 2020 manual del usuario online montero sport 2020 automóviles descargar manual en pdf bk0271900es book 2 □□□ □□□ □□□ □□□□ instrumentos y controles lhd aire acondicionado p 7 2 smartphone link display audio sistema de comunicación

manual de usuario mitsubishi montero sport 2018 2022 - May 15 2023

web el manual de usuario mitsubishi montero sport 2018 2022 o manual de propietario es la guía completa que necesitas para obtener la información de tu mitsubishi montero sport en este manual de usuario encontraras todas las secciones para el mantenimiento preventivo de tu mitsubishi montero sport

descarga manuales de propietario mitsubishi - Nov 09 2022

web manuales quieres saber más descarga el manual del propietario de tu mitsubishi favorito para conocer todo sobre el modelo que más se adapte a ti 39 990 usd descargar manual de propietario vehículo discontinuado descargar manual de propietario 54 990 usd descargar manual de propietario

manuales de taller de coches mitsubishi todo mecánica - Mar 01 2022

web español 5 29 mb mitsubishi manual de taller mitsubishi 3000 gt manual transmission 1991 al 1999 en inglés inglés 32 88 mb mitsubishi manual de taller mitsubishi pajero l300 1996 en inglés inglés 0 28 mb mitsubishi manual de taller mitsubishi montero sport 2000 español 31 09 mb mitsubishi manual de taller

mitsubishi montero sport 2020 manual del usuario - Sep 19 2023

web ver y descargar mitsubishi montero sport 2020 manual del usuario online montero sport 2020 automóviles descargar manual en pdf

mitsubishi montero sport 2020 manual del usuario página 10 - Feb 12 2023

web ver y descargar mitsubishi montero sport 2020 manual del usuario online montero sport 2020 automóviles descargar manual en pdf bk0271900es book 9 □□□ □□□ □□□ □□□□ exterior trasero 1 exterior trasero luces de marcha atrás p 10 31 10 36 intermitentes traseros p 5 70 10 31 10 36

guía de reparación para mitsubishi montero manuales - Jul 05 2022

web oct 18 2021 manuales de reparación y vídeos tutoriales para el mitsubishi montero cómo reparar un mitsubishi montero simplemente elija su modelo de coche o la pieza de repuesto mitsubishi montero categoría de piezas de recambio de

coche

[mitsubishi montero manual de taller y manual de usuario opinautos](#) - Apr 02 2022

web manual de taller y manual de usuario mitsubishi montero 2004 5 puertas 4x4 mecanica montero sport 2 5 diesel 250000 kms amigos quiero pedirles un favor si alguien puede compartir con migo el el manual de taller y del usuario del montero sport 2 5 diesel gls caja mecanica año 2004

manual de taller mitsubishi montero 2013 2014 2015 2016 esp - Jan 31 2022

web manual de taller completo todos los sistemas del vehículo motor transmisión aire acondicionado carrocería ensamble y despiece detallados y mucho mas años 2013

manuales de uso general mitsubishi motors mx - Dec 10 2022

web manual mitsubishi montero sport mostrar descarga de pdf 20 3 mb manual mitsubishi outlander phev mostrar descarga de pdf 11 4 mb en nuestro sitio utilizamos cookies para mejorar tu experiencia de usuario y mostrarte información y publicidad adaptada a tus hábitos de navegación si continúas navegando

manual de usuario mitsubishi montero sport 2015 2021 es - Sep 07 2022

web manual de usuario mitsubishi montero sport 2015 2021 español 3 267 clp 10 890 clp sku quantity share description marca mitsubishi modelo montero sport paginas 500 formato pdf marca mitsubishi modelo montero sportpaginas 500 formato pdf

[guía de reparación para mitsubishi montero sport](#) - Aug 06 2022

web oct 18 2021 manuales de reparación y vídeos tutoriales para el mitsubishi montero sport cómo reparar un mitsubishi montero sport simplemente elija su modelo de coche o la pieza de repuesto mitsubishi montero sport categoría de piezas de recambio de coche

[mitsubishi montero sport 1997 1999 manual de taller](#) - May 03 2022

web mitsubishi montero sport 1997 1999 se trata de un manual de mecánica con todas las especificaciones de reparación que se requieren para mantener el auto en buen funcionamiento incluye datos sobre el sistema mecánico del motor sistema de lubricación y enfriamiento combustible y emisiones contaminantes

mitsubishi montero sport 2020 manuales manualslib - Mar 13 2023

web manuales y guías de usuario para mitsubishi montero sport 2020 tenemos 1 mitsubishi montero sport 2020 manual disponible para descarga gratuita en pdf manual del usuario mitsubishi montero sport 2020 manual del usuario 598 páginas marca mitsubishi categoría tamaño 88 81 mb tabla de contenido

mitsubishi motors montero sport 2022 manual del - Aug 18 2023

web ver y descargar mitsubishi motors montero sport 2022 manual del propietario online montero sport 2022 automóviles

descargar manual en pdf

manual de usuario mitsubishi montero zofti - Jul 17 2023

web obtenga y descargue gratis el manual de usuario y guía del propietario del mitsubishi montero gratis en español castellano para la conducción mantenimiento y uso del vehículo el manual original con información sobre el servicio de su vehículo en más de 300 páginas con guías imágenes y más también te puede interesar manual de

descargar manual de taller mitsubishi montero zofti - Apr 14 2023

web descarga el manual de taller y reparación del mitsubishi montero gratis en formato pdf y español el manual con toda la información que necesitas saber para reparar tu vehículo también te puede interesar manual de usuario mitsubishi montero

Getting the books **Washers Repair Manual** now is not type of inspiring means. You could not lonesome going when ebook gathering or library or borrowing from your friends to approach them. This is an unquestionably easy means to specifically get guide by on-line. This online notice Washers Repair Manual can be one of the options to accompany you taking into consideration having further time.

It will not waste your time. receive me, the e-book will certainly freshen you new issue to read. Just invest little grow old to entrance this on-line pronouncement **Washers Repair Manual** as well as evaluation them wherever you are now.

https://offsite.creighton.edu/files/virtual-library/Documents/josephine_baker_fun_facts.pdf

https://offsite.creighton.edu/files/virtual-library/Documents/jr_high_graduation_quotes.pdf

https://offsite.creighton.edu/files/virtual-library/Documents/jekyll_and_hyde_syndrome_emotional_abuse.pdf

Table of Contents Washers Repair Manual

1. Understanding the eBook Washers Repair Manual
 - The Rise of Digital Reading Washers Repair Manual
 - Advantages of eBooks Over Traditional Books
2. Identifying Washers Repair Manual
 - Exploring Different Genres
 - Considering Fiction vs. Non-Fiction
 - Determining Your Reading Goals
3. Choosing the Right eBook Platform
 - Popular eBook Platforms
 - Features to Look for in an Washers Repair Manual

- User-Friendly Interface
- 4. Exploring eBook Recommendations from Washers Repair Manual
 - Personalized Recommendations
 - Washers Repair Manual User Reviews and Ratings
 - Washers Repair Manual and Bestseller Lists
- 5. Accessing Washers Repair Manual Free and Paid eBooks
 - Washers Repair Manual Public Domain eBooks
 - Washers Repair Manual eBook Subscription Services
 - Washers Repair Manual Budget-Friendly Options
- 6. Navigating Washers Repair Manual eBook Formats
 - ePub, PDF, MOBI, and More
 - Washers Repair Manual Compatibility with Devices
 - Washers Repair Manual Enhanced eBook Features
- 7. Enhancing Your Reading Experience
 - Adjustable Fonts and Text Sizes of Washers Repair Manual
 - Highlighting and Note-Taking Washers Repair Manual
 - Interactive Elements Washers Repair Manual
- 8. Staying Engaged with Washers Repair Manual
 - Joining Online Reading Communities
 - Participating in Virtual Book Clubs
 - Following Authors and Publishers Washers Repair Manual
- 9. Balancing eBooks and Physical Books Washers Repair Manual
 - Benefits of a Digital Library
 - Creating a Diverse Reading Collection Washers Repair Manual
- 10. Overcoming Reading Challenges
 - Dealing with Digital Eye Strain
 - Minimizing Distractions
 - Managing Screen Time
- 11. Cultivating a Reading Routine Washers Repair Manual
 - Setting Reading Goals Washers Repair Manual

- Carving Out Dedicated Reading Time
- 12. Sourcing Reliable Information of Washers Repair Manual
 - Fact-Checking eBook Content of Washers Repair Manual
 - Distinguishing Credible Sources
- 13. Promoting Lifelong Learning
 - Utilizing eBooks for Skill Development
 - Exploring Educational eBooks
- 14. Embracing eBook Trends
 - Integration of Multimedia Elements
 - Interactive and Gamified eBooks

Washers Repair Manual Introduction

In today's digital age, the availability of Washers Repair Manual books and manuals for download has revolutionized the way we access information. Gone are the days of physically flipping through pages and carrying heavy textbooks or manuals. With just a few clicks, we can now access a wealth of knowledge from the comfort of our own homes or on the go. This article will explore the advantages of Washers Repair Manual books and manuals for download, along with some popular platforms that offer these resources. One of the significant advantages of Washers Repair Manual books and manuals for download is the cost-saving aspect. Traditional books and manuals can be costly, especially if you need to purchase several of them for educational or professional purposes. By accessing Washers Repair Manual versions, you eliminate the need to spend money on physical copies. This not only saves you money but also reduces the environmental impact associated with book production and transportation. Furthermore, Washers Repair Manual books and manuals for download are incredibly convenient. With just a computer or smartphone and an internet connection, you can access a vast library of resources on any subject imaginable. Whether you're a student looking for textbooks, a professional seeking industry-specific manuals, or someone interested in self-improvement, these digital resources provide an efficient and accessible means of acquiring knowledge. Moreover, PDF books and manuals offer a range of benefits compared to other digital formats. PDF files are designed to retain their formatting regardless of the device used to open them. This ensures that the content appears exactly as intended by the author, with no loss of formatting or missing graphics. Additionally, PDF files can be easily annotated, bookmarked, and searched for specific terms, making them highly practical for studying or referencing. When it comes to accessing Washers Repair Manual books and manuals, several platforms offer an extensive collection of resources. One such platform is Project Gutenberg, a nonprofit organization that provides over 60,000 free eBooks. These books are primarily in

the public domain, meaning they can be freely distributed and downloaded. Project Gutenberg offers a wide range of classic literature, making it an excellent resource for literature enthusiasts. Another popular platform for Washers Repair Manual books and manuals is Open Library. Open Library is an initiative of the Internet Archive, a non-profit organization dedicated to digitizing cultural artifacts and making them accessible to the public. Open Library hosts millions of books, including both public domain works and contemporary titles. It also allows users to borrow digital copies of certain books for a limited period, similar to a library lending system. Additionally, many universities and educational institutions have their own digital libraries that provide free access to PDF books and manuals. These libraries often offer academic texts, research papers, and technical manuals, making them invaluable resources for students and researchers. Some notable examples include MIT OpenCourseWare, which offers free access to course materials from the Massachusetts Institute of Technology, and the Digital Public Library of America, which provides a vast collection of digitized books and historical documents. In conclusion, Washers Repair Manual books and manuals for download have transformed the way we access information. They provide a cost-effective and convenient means of acquiring knowledge, offering the ability to access a vast library of resources at our fingertips. With platforms like Project Gutenberg, Open Library, and various digital libraries offered by educational institutions, we have access to an ever-expanding collection of books and manuals. Whether for educational, professional, or personal purposes, these digital resources serve as valuable tools for continuous learning and self-improvement. So why not take advantage of the vast world of Washers Repair Manual books and manuals for download and embark on your journey of knowledge?

FAQs About Washers Repair Manual Books

1. Where can I buy Washers Repair Manual books? Bookstores: Physical bookstores like Barnes & Noble, Waterstones, and independent local stores. Online Retailers: Amazon, Book Depository, and various online bookstores offer a wide range of books in physical and digital formats.
2. What are the different book formats available? Hardcover: Sturdy and durable, usually more expensive. Paperback: Cheaper, lighter, and more portable than hardcovers. E-books: Digital books available for e-readers like Kindle or software like Apple Books, Kindle, and Google Play Books.
3. How do I choose a Washers Repair Manual book to read? Genres: Consider the genre you enjoy (fiction, non-fiction, mystery, sci-fi, etc.). Recommendations: Ask friends, join book clubs, or explore online reviews and recommendations. Author: If you like a particular author, you might enjoy more of their work.

4. How do I take care of Washers Repair Manual books? Storage: Keep them away from direct sunlight and in a dry environment. Handling: Avoid folding pages, use bookmarks, and handle them with clean hands. Cleaning: Gently dust the covers and pages occasionally.
5. Can I borrow books without buying them? Public Libraries: Local libraries offer a wide range of books for borrowing. Book Swaps: Community book exchanges or online platforms where people exchange books.
6. How can I track my reading progress or manage my book collection? Book Tracking Apps: Goodreads, LibraryThing, and Book Catalogue are popular apps for tracking your reading progress and managing book collections. Spreadsheets: You can create your own spreadsheet to track books read, ratings, and other details.
7. What are Washers Repair Manual audiobooks, and where can I find them? Audiobooks: Audio recordings of books, perfect for listening while commuting or multitasking. Platforms: Audible, LibriVox, and Google Play Books offer a wide selection of audiobooks.
8. How do I support authors or the book industry? Buy Books: Purchase books from authors or independent bookstores. Reviews: Leave reviews on platforms like Goodreads or Amazon. Promotion: Share your favorite books on social media or recommend them to friends.
9. Are there book clubs or reading communities I can join? Local Clubs: Check for local book clubs in libraries or community centers. Online Communities: Platforms like Goodreads have virtual book clubs and discussion groups.
10. Can I read Washers Repair Manual books for free? Public Domain Books: Many classic books are available for free as they're in the public domain. Free E-books: Some websites offer free e-books legally, like Project Gutenberg or Open Library.

Find Washers Repair Manual :

[josephine baker fun facts](#)

[jr high graduation quotes](#)

[jekyll and hyde syndrome emotional abuse](#)

[john deere s92](#)

[john calvin family](#)

[jerry springer script](#)

[jr ward lover eternal](#)

[kaplan musculoskeletal a ngn](#)

~~jenn air double oven electric range~~

junji ito hair in the attic

john deere road builder

johnny cash american

~~jones and bartlett ekg strips~~

~~jesse owens read aloud~~

~~job knowledge appraisal comments~~

Washers Repair Manual :