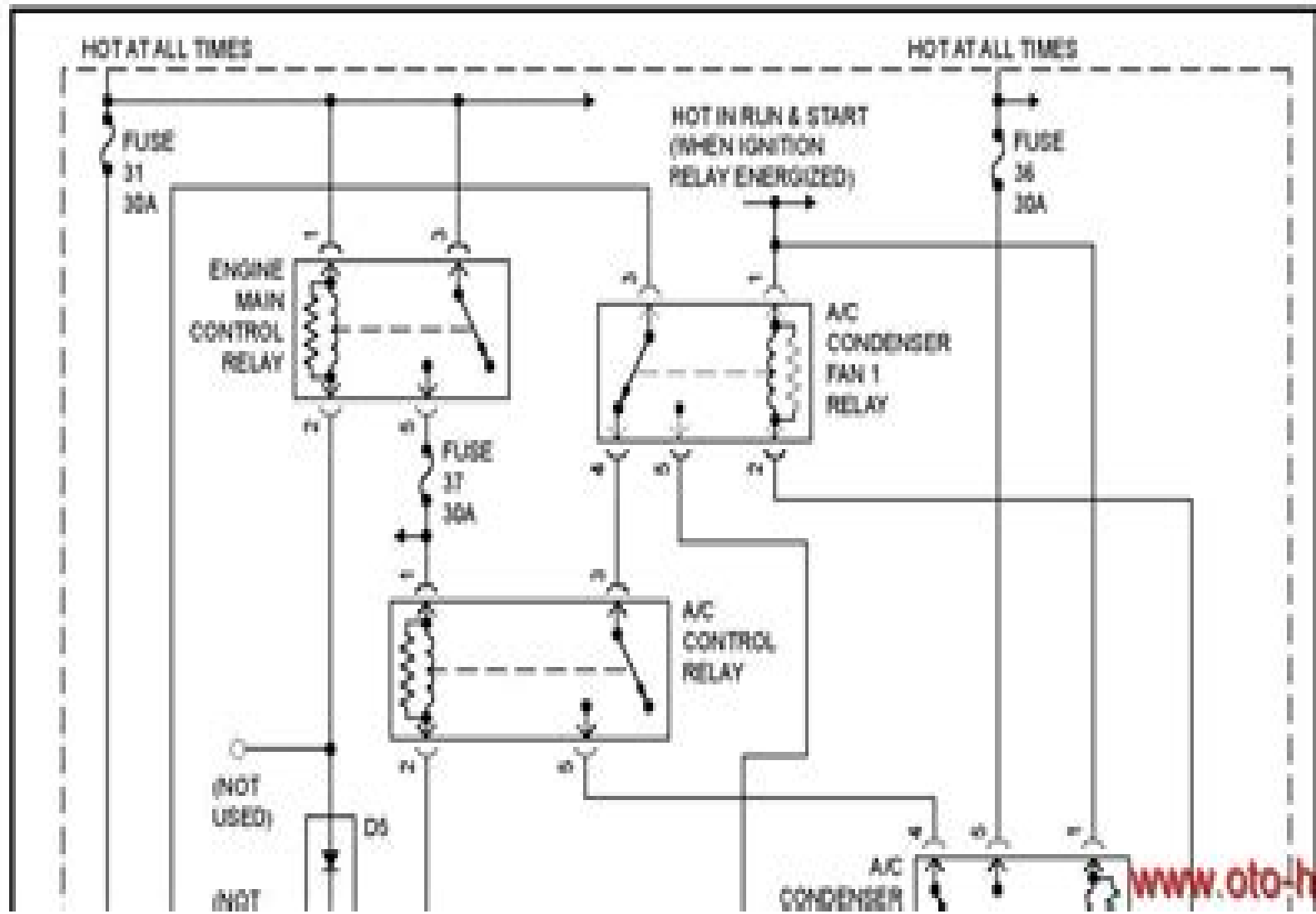


2000 Land Rover Range Rover HSE

SYSTEM WIRING DIAGRAMS

Fig. 7: Cooling Fan Circuit



Land Rover Starter Motor Wiring Guide

**V. A. W. Hillier, Peter Coombes, David
R. Rogers**



Land Rover Starter Motor Wiring Guide

The Half-ton Military Land Rover Mark Cook,2016-05-16 The full story of the Lightweight military Land Rover Packed with facts photographs this book covers all the variants used in the UK and overseas A must for the Land Rover enthusiast invaluable to all enthusiasts owners restorers and would be buyers

Land Rover Discovery Series II Workshop Manual 1999-2003 MY ,2010-03-31 Detailed engine data work instructions for both petrol diesel fuel systems Covering 4 0 V8 petrol engines and Td5 diesel engines A detailed guide to maintenance repair covering of all parts of the car and engine including torque wrench settings emission control engine management fuel delivery cooling manifolds exhaust clutch automatic manual gear box propeller axles steering suspension brakes restraints doors exterior fittings interior trim components screens seats sunroof panel repairs heating ventilation air conditioning wipers and washers instruments and so much more

The Rover V8 Engine David Hardcastle,1995 A thorough technical assessment of the Rover V8 engine and all methods of tuning for increased power output Filled with the V8s transatlantic origins and production its competition career in rallies and in saloon car road racing plus details of all Rover V8 speed equipment suppliers and professional engine builders This volume brings the Rover V8 story up to date with developments ranging from the factory 3 9 litre to the Range Rover of 1994

The Car Hacker's Handbook Craig Smith,2016-03-01 Modern cars are more computerized than ever Infotainment and navigation systems Wi Fi automatic software updates and other innovations aim to make driving more convenient But vehicle technologies haven't kept pace with today's more hostile security environment leaving millions vulnerable to attack The Car Hacker's Handbook will give you a deeper understanding of the computer systems and embedded software in modern vehicles It begins by examining vulnerabilities and providing detailed explanations of communications over the CAN bus and between devices and systems Then once you have an understanding of a vehicle's communication network you'll learn how to intercept data and perform specific hacks to track vehicles unlock doors glitch engines flood communication and more With a focus on low cost open source hacking tools such as Metasploit Wireshark Nmap and ChipWhisperer The Car Hacker's Handbook will show you how to Build an accurate threat model for your vehicle Reverse engineer the CAN bus to fake engine signals Exploit vulnerabilities in diagnostic and data logging systems Hack the ECU and other firmware and embedded systems Feed exploits through infotainment and vehicle to vehicle communication systems Override factory settings with performance tuning techniques Build physical and virtual test benches to try out exploits safely If you're curious about automotive security and have the urge to hack a two ton computer make The Car Hacker's Handbook your first stop

Engineering ,1963-04 **Automotive Mechatronics: Operational and Practical Issues** B. T. Fijalkowski,2010-11-25 This book presents operational and practical issues of automotive mechatronics with special emphasis on the heterogeneous automotive vehicle systems approach and is intended as a

graduate text as well as a reference for scientists and engineers involved in the design of automotive mechatronic control systems As the complexity of automotive vehicles increases so does the dearth of high competence multi disciplined automotive scientists and engineers This book provides a discussion into the type of mechatronic control systems found in modern vehicles and the skills required by automotive scientists and engineers working in this environment Divided into two volumes and five parts Automotive Mechatronics aims at improving automotive mechatronics education and emphasises the training of students experimental hands on abilities stimulating and promoting experience among high education institutes and produce more automotive mechatronics and automation engineers The main subject that are treated are VOLUME I RBW or XBW unibody or chassis motion mechatronic control hypersystems DBW AWD propulsion mechatronic control systems BBW AWB dispulsion mechatronic control systems VOLUME II SBW AWS diversion mechatronic control systems ABW AWA suspension mechatronic control systems This volume was developed for undergraduate and postgraduate students as well as for professionals involved in all disciplines related to the design or research and development of automotive vehicle dynamics powertrains brakes steering and shock absorbers dampers Basic knowledge of college mathematics college physics and knowledge of the functionality of automotive vehicle basic propulsion dispulsion conversion and suspension systems is required *Toyota Land Cruiser, 1968-1982* John Haynes, Editors of Haynes Manuals, 1989-07-30 Haynes disassembles every subject vehicle and documents every step with thorough instructions and clear photos Haynes repair manuals are used by the pros but written for the do it yourselfer **The 5AM Club** Robin Sharma, 2018-12-04 Legendary leadership and elite performance expert Robin Sharma introduced The 5am Club concept over twenty years ago based on a revolutionary morning routine that has helped his clients maximize their productivity activate their best health and bulletproof their serenity in this age of overwhelming complexity Now in this life changing book handcrafted by the author over a rigorous four year period you will discover the early rising habit that has helped so many accomplish epic results while upgrading their happiness helpfulness and feelings of aliveness Through an enchanting and often amusing story about two struggling strangers who meet an eccentric tycoon who becomes their secret mentor The 5am Club will walk you through How great geniuses business titans and the world s wisest people start their mornings to produce astonishing achievements A little known formula you can use instantly to wake up early feeling inspired focused and flooded with a fiery drive to get the most out of each day A step by step method to protect the quietest hours of daybreak so you have time for exercise self renewal and personal growth A neuroscience based practice proven to help make it easy to rise while most people are sleeping giving you precious time for yourself to think express your creativity and begin the day peacefully instead of being rushed Insider only tactics to defend your gifts talents and dreams against digital distraction and trivial diversions so you enjoy fortune influence and a magnificent impact on the world Part manifesto for mastery part playbook for genius grade productivity and part companion for a life lived beautifully The 5am Club is a work that will transform your life Forever **Permanent**

Magnet Motor Technology Jacek F. Gieras, 2009-08-25 The importance of permanent magnet PM motor technology and its impact on electromechanical drives has grown exponentially since the publication of the bestselling second edition The PM brushless motor market has grown considerably faster than the overall motion control market This rapid growth makes it essential for electrical and electromechanical engineers and students to stay up to date on developments in modern electrical motors and drives including their control simulation and CAD Reflecting innovations in the development of PM motors for electromechanical drives Permanent Magnet Motor Technology Design and Applications Third Edition demonstrates the construction of PM motor drives and supplies ready to implement solutions to common roadblocks along the way This edition supplies fundamental equations and calculations for determining and evaluating system performance efficiency reliability and cost It explores modern computer aided design of PM motors including the finite element approach and explains how to select PM motors to meet the specific requirements of electrical drives The numerous examples models and diagrams provided in each chapter facilitate a lucid understanding of motor operations and characteristics This 3rd edition of a bestselling reference has been thoroughly revised to include Chapters on high speed motors and micromotors Advances in permanent magnet motor technology Additional numerical examples and illustrations An increased effort to bridge the gap between theory and industrial applications Modified research results The growing global trend toward energy conservation makes it quite possible that the era of the PM brushless motor drive is just around the corner This reference book will give engineers researchers and graduate level students the comprehensive understanding required to develop the breakthroughs that will push this exciting technology to the forefront *Building a Special with Ant Anstead Master Mechanic* Ant

Anstead, Editors of Haynes Manuals, 2021-07-20 Ant Anstead's Building a Special brings the Haynes story full circle coming 61 years after the original Building a 750 Special was written by John Haynes Haynes Publishing's founder when he was still a schoolboy This book is a TV tie in following the 12 part TV series Ant Anstead Master Mechanic aired on Motor Trend part of the Discover Network in the US and UK following Ant Anstead's build of his own design special car taking inspiration from the Alfa 158 the first World Championship winning F1 car which raced from the 1930s until the 1950s The 12 part TV series followed Ant's build of the car from the first design ideas through the construction culminating in the debut of the car during the 2019 US Grand Prix weekend in Austin Texas The book follows Ant's personal build of the car from the selection of the donor MG TD for the chassis and Alfa Romeo Spider for the engine and gearbox through modifying the chassis building the suspension steering brakes bodywork and interior and putting all the components together to produce a finished one off special Content includes Introduction The history of specials Planning Donor car Chassis suspension steering rear axle Engine fuel system cooling system ancillaries exhaust Gearbox Bodywork Braking system Cockpit Wiring Preparation and painting Testing Setting up and Making road legal [The Visual Dictionary of Cars](#), 1992 Text exploded view photographs and labels reveal everyday objects and their parts including the telephone camera and bicycle **Dad, How Do I?** Rob

Kenney,2021-05-18 Like the YouTube channel this is a touching yet informative guide for those seeking fatherly advice or even a few good dad jokes Library Journal Just Needs a Recharge Rob Siegel,2018-04-24 Air conditioning in vintage cars often falls into disrepair as owners figure that it never really worked all that well when it was new and assume that rejuvenation would be prohibitively expensive In his new book Just Needs a Recharge The Hack Mechanic Guide to Vintage Air Conditioning Rob Siegel details exactly what s needed to resurrect long dead air conditioning in a vintage car or install a c in a car that never had it In a level of detail not found in any other automotive a c book Rob reveals what you need to know about flare and o ring fittings upgrading to a rotary style compressor and a parallel flow condenser making or specifying custom hoses and selecting refrigerant so that the a c blows cold enough to be usable Although the book draws from Rob s BMW experience with specifics for the BMW 2002 and 3 0CS and concentrates on vintage a c systems those that have flare fittings and originally contained R12 most of the information applies to any air conditioning system foreign or domestic vintage or modern Written in Rob s entertaining Hack Mechanic narrative voice and including 240 photographs and illustrations the book covers theory the choice of refrigerant R12 R134a other EPA approved non EPA approved legality tools for a c work fittings and sizes the compressor the evaporator assembly and expansion valve or orifice tube the condenser and fan the receiver drier or accumulator electrical connections and compressor cycling connecting and using manifold gauges the basic steps for a c rejuvenation from scratch a c retrofit making and installing hoses flushing the system pressure testing and leak detection evacuating and charging the system troubleshooting and other things that heat up the cabin **Haynes**

Explains Babies Boris Starling,2016-11-01 Written by bestselling author Boris Starling *Babies* is one of the first titles in the brand new Haynes Explains series A light hearted and entertaining take on the classic workshop manual it contains everything you d expect to see including exploded views flow charts fault diagnosis and the odd wiring diagram It takes the reader through all stages of baby ownership giving them all the hints and tips needed to keep them running smoothly

Haynes Explains Marriage Boris Starling,2016-11-01 Written by bestselling author Boris Starling *Marriage* is one of the first titles in the brand new Haynes Explains series A light hearted and entertaining take on the classic workshop manual it contains everything you d expect to see including exploded views flow charts fault diagnosis and the odd wiring diagram It takes the reader through all stages of marriage giving them all the hints and tips needed to keep them running smoothly

Fundamentals of Motor Vehicle Technology V. A. W. Hillier,Peter Coombes,David R. Rogers,2006 Hillier s famous series of Motor Vehicle Technology texts have been completely revised and updated *Military Land Rover Series III (Lightweight) Parts Catalogue* Brooklands Books Ltd,2006-03-05 Covers Series III Truck GS FFR half ton 4X4 vehicles

Popular Mechanics ,2000-01 Popular Mechanics inspires instructs and influences readers to help them master the modern world Whether it s practical DIY home improvement tips gadgets and digital technology information on the newest cars or the latest breakthroughs in science PM is the ultimate guide to our high tech lifestyle Teaching Today Geoffrey

Petty,2009 The edition has been updated to become more PGCE focused In particular it now includes signposting for coverage of the FENTO standards and further coverage of key areas such as interactive whiteboard training [Toyota Landcruiser Repair Manual](#) ,2012-01-01 Series 78 79 100 105 6 8 cylinder engines with 4 5L 4 7L petrol and 4 2L diesel

love at harvest moon holiday mail order brides bo brad - Nov 22 2022

love at harvest moon holiday mail order brides bo as one of the most dynamic sellers here will agreed be accompanied by the best options to review under the christmas tree robyn carr 2017 11 13

love at harvest moon holiday mail order brides bo pdf - Jun 17 2022

pronouncement as skillfully as keenness of this love at harvest moon holiday mail order brides bo can be taken as competently as picked to act billboard 1992 11 28 in its 114th year billboard remains the world s premier weekly music publication and a diverse digital events brand content and data licensing platform billboard publishes the most

love at harvest moon holiday mail order brides bo download - Sep 01 2023

2 love at harvest moon holiday mail order brides bo 2022 01 27 pomelos cups of tea and colorful lanterns and everyone sends thanks and a secret wish up to the moon grace lin s luminous and gloriously patterned artwork is perfect for this holiday tale her story is simple tailor made for reading aloud to young children and she includes

love at harvest moon holiday mail order brides bo 2022 - Mar 15 2022

love at harvest moon holiday mail order brides bo 2022 nirvanakitchenlondon co uk author nadia dillon created date 9 23 2023 5 33 48 am

love at harvest moon holiday mail order brides bo pdf - Apr 27 2023

2 love at harvest moon holiday mail order brides bo 2022 06 18 love at harvest moon holiday mail order brides bo downloaded from helpdesk bricksave com by guest olson haynes harvest moon llewellyn worldwide return to virgin river with the books that started it all the recipe for happiness making it up as you go along rising sous chef kelly

love at harvest moon holiday mail order brides bo pdf - Mar 27 2023

2 love at harvest moon holiday mail order brides bo 2022 12 23 their own publishers weekly the rough guide to camping in britain 2 rough guides uk looks at the literature arts architecture and general culture of the countries of north and south korea the ultimate guide to the witch s wheel of the year heinemann raintree library

love at harvest moon holiday mail order brides book 7 - Oct 02 2023

oct 12 2014 apparently finn s friend lorcan has found love with a mail order bride and desires the same for his friend so he sends for a mail order bride for finn unfortunately no one tells finn this so he is quite unprepared when he finds out the woman he rescued in his pumpkin patch is to be his bride even though he already felt attraction for her

love at harvest moon holiday mail order brides bo pdf - Jan 25 2023

love at harvest moon holiday mail order brides bo downloaded from seminary fbny org by guest alexander dakota multicultural programs for tweens and teens rowman littlefield perry como put aside his career as a barber to become one of the top american crooners of the 20th century and also one of the first multimedia stars

love at harvest moon holiday mail order brides bo download - Oct 22 2022

brides bo love at harvest moon holiday mail order brides bo book review unveiling the power of words in some sort of driven by information and connectivity the power of words has are more evident than ever they have the ability to inspire provoke and ignite change such is the essence of the book love at harvest moon holiday mail order

love at harvest moon holiday mail order brides bo pdf - Jul 19 2022

love at harvest moon holiday mail order brides bo 2 5 downloaded from uniport edu ng on may 3 2023 by guest the chart data including peak chart position total weeks charted chart debut date total weeks at 1 2 or 3 positions original record label and number and more also features many bonus sections including a top 500 artists

love at harvest moon holiday mail order brides bo brady smith - Feb 23 2023

love at harvest moon holiday mail order brides bo love at harvest moon holiday mail order brides bo 2 downloaded from donate pfi org on 2022 09 03 by guest of her children and noah can t help but admire her spunk and motherly determination noah and ellie are an unlikely team to revitalize a church much less build a future the

love at harvest moon holiday mail order brides bo full pdf - Jun 29 2023

love at harvest moon holiday mail order brides bo post office clerk dec 20 2020 the postal record jul 07 2022 the moon book may 25 2021 some planets have many moons earth has one because it is so close to earth our moon is the brightest and biggest light in our night sky here is information about our moon including how the

love at harvest moon holiday mail order brides bo pdf - Jul 31 2023

this love at harvest moon holiday mail order brides bo as one of the most full of zip sellers here will agreed be in the course of the best options to review catalog sears roebuck and company 1934

love at harvest moon holiday mail order brides bo pdf - Feb 11 2022

instigate transformation is really remarkable this extraordinary book aptly titled love at harvest moon holiday mail order brides bo compiled by a highly acclaimed author immerses readers in a captivating exploration of the significance of language and its profound effect on our existence

love at harvest moon holiday mail order brides bo test thelyst - Sep 20 2022

love at harvest moon holiday mail order brides bo eventually you will no question discover a additional experience and achievement by spending more cash nevertheless when pull off you say yes that you require to acquire those all needs

subsequently having significantly cash

love at harvest moon holiday mail order brides 7 - Aug 20 2022

apparently finn s friend lorcan has found love with a mail order bride and desires the same for his friend so he sends for a mail order bride for finn unfortunately no one tells finn this so he is quite unprepared when he finds out the woman he rescued in his pumpkin patch is to be his bride even though he already felt attraction for her

love at harvest moon holiday mail order brides bo - Dec 24 2022

love at harvest moon holiday mail order brides bo 3 3 latest music video gaming media digital and mobile entertainment issues and trends billboard bluestocking belles fairy of the mist this is a story of a courageous young man in search of a childhood friend and a lost love and despite all changing events to have loved and be loved is

love at harvest moon holiday mail order brides bo - Apr 15 2022

online revelation love at harvest moon holiday mail order brides bo can be one of the options to accompany you bearing in mind having further time it will not waste your time believe me the e book will utterly broadcast you additional thing to read just invest little period to right of entry this on line statement love at harvest moon

[love at harvest moon holiday mail order brides bo full pdf](#) - May 29 2023

love at harvest moon holiday mail order brides bo downloaded from careersatdot com by guest townsend leblanc mikaél s moment univ of california press in its 114th year billboard remains the world s premier weekly music publication and a diverse digital events brand content and data licensing platform billboard publishes the most trusted

love at harvest moon holiday mail order brides book 7 by kit - May 17 2022

the seventh book in the holiday mail order brides series a novel by kit morgan eva brock s mother was the most overbearing controlling and opinionated woman she had ever known and if she didn t escape out from under her roof she d have eva married off

yamaha xj 600 manuals manualslib - Apr 04 2023

web we have 1 yamaha xj 600 manual available for free pdf download owners workshop manual yamaha xj 600 owners workshop manual 201 pages air cooled fours 598cc brand yamaha category motorcycle size 93 96 mb table of contents contents 2 identification numbers 4 identifying model years 4 buying parts 5 general specifications 5

[xj 600 free pdf manuals download manualslib](#) - May 05 2023

web yamaha diversion xj600 n owner s manual 104 pages engine oil and oil filter cartridge specifications manual is suitable for 1 more product xj600 s brand yamaha category motorcycle size 5 07 mb

yamaha diversion xj600s handbücher manualslib - Jun 25 2022

web yamaha diversion xj600s handbücher anleitungen und benutzerhandbücher für yamaha diversion xj600s wir haben 2

yamaha diversion xj600s anleitungen zum kostenlosen pdf download zur verfügung bedienungsanleitung reparaturanleitung
yamaha xj 600 2010 yamaha xj6 s owner s manual 102 - Mar 23 2022

web the xj600 was built after 1984 to 1991 when it was displaced with the yamaha diversion seca ii in north america to bike was sold as aforementioned fj600 the 1984 yamaha xj600 fj600 is notable for being who initial japanese inline 4 with one displacement of 600cc 1

yamaha xj600s seca ii diversion and xj600n owners workshop manual - Sep 28 2022

web sep 8 2023 yamaha xj600s seca ii diversion and xj600n owners workshop manual by alan ahlstrand 1995 haynes pub haynes north america edition in english

yamaha xj600 diversion manuals enduro team - Aug 28 2022

web yamaha xj 600 s diversion for yamaha xj600 diversion n s owners manual owners manual yamaha xj600n xj600s diversion russian Руководство по ремонту и обслуживанию haynes service repair manual yamaha xj600s diversion 1992 1999 и yamaha xj600n diversion 1995 1999 review yamaha xj600 diversion

manual yamaha xj600s page 1 of 104 english libble eu - Feb 02 2023

web view and download the manual of yamaha xj600s motor page 1 of 104 english also support or get the manual by email

yamaha xj 600 manual free download borrow and - Oct 30 2022

web jul 26 2020 handbook yamah motorcycle addeddate 2020 07 26 09 57 19 coverleaf 0 identifier yamaha xj 600 manual identifier ark ark 13960 t4vj4j84t

yamaha diversion xj600s manuals manualslib - Sep 09 2023

web yamaha diversion xj600s manuals manuals and user guides for yamaha diversion xj600s we have 2 yamaha diversion xj600s manuals available for free pdf download owner s manual

yamaha diversion xj600n owner s manual pdf download manualslib - Oct 10 2023

web summary of contents for yamaha diversion xj600n page 1 owner s manual xj600s 4br 28199 e7 page 3 in addition the many tips given in this manual will help keep your motorcycle in the best possible condition if you have any further questions do not hesitate to contact your yamaha dealer

download yamaha diversion xj600n owner s manual manualslib - Nov 30 2022

web download yamaha diversion xj600n owner s manual yamaha diversion xj600n owner s manual brand yamaha category motorcycle size 5 07 mb pages 104 this manual is also suitable for xj600s diversion

yamaha xj 600 repair manuals manuals yamaha - May 25 2022

web xj 600 1984 1991 yamaha xj 600 rl official service manual italiano pdf repair manuals 22 3 mb italian 318 xj 600 xj600 parts catalogue pdf repair manuals 1 43 mb english 75 xj 600 s 1984 1991 yamaha xj600s microfishe zip contains 47 gif files

repair manuals 1 12 mb english 47 xj 600 s

yamaha diversion diversion xj600s owner s manual manualzz - Mar 03 2023

web view online 104 pages or download pdf 4 mb yamaha diversion xj600s diversion diversion xj600n owner s manual

diversion xj600s diversion diversion xj600n motorcycles pdf manual download and more yamaha online manuals

yamaha xj600s diversion seca workshop repair manual - Apr 23 2022

web this yamaha xj600s diversion seca workshop repair manual download mt043493 provides detailed instructions and step by step diagrams for all workshop procedures it features factory diagnostic and repair procedures and can give you access to the same repair information that certified technicians and mechanics use it is compatible with both

user manual yamaha xj600s english 104 pages - Jul 07 2023

web view the manual for the yamaha xj600s here for free this manual comes under the category motorcycles and has been rated by 3 people with an average of a 7 9 this manual is available in the following languages english

yamaha xj600s 1992 service manual pdf download manualslib - Aug 08 2023

web view and download yamaha xj600s 1992 service manual online xj600s 1992 motorcycle pdf manual download

yamaha xj 600 manuals yamaha - Jul 27 2022

web yamaha fj 600 xj fz yx workshop manual pdf xj600s diversion 1992 1993 service manual french pdf yamaha fj600 fz600 xj600 yz600 zip xj600sk owners manual pdf

yamaha xj 600 s diversion service and repair manuals tmb - Jan 01 2023

web jan 11 2023 this service manual on the yamaha xj 600 s diversion seca ii and xj 600 n motorcycles describes with photos and step by step instructions maintenance repair and overhaul of the engine clutch and gearbox covers also the cooling system fuel and exhaust systems ignition steering system suspension brakes final drive and the

yamaha diversion xj600n bedienungsanleitung manualslib - Feb 19 2022

web ansicht und herunterladen yamaha diversion xj600n bedienungsanleitung online diversion xj600n motorräder pdf anleitung herunterladen

yamaha diversion xj600s manuals user guides - Jun 06 2023

web you can examine yamaha diversion xj600s manuals and user guides in pdf view online or download 2 manuals for yamaha diversion xj600s besides it s possible to examine each page of the guide singly by using the scroll bar

name date period 10 chapter 10 test form 2b score - Nov 06 2022

web chapter 10 65glencoe geometry 10 write the letter for the correct answer in the blank at the right of each question for questions 1 3 use d 1 name a radius a ab c cb b db d ce 2 name a chord that is not a diameter f ab g db h cb j ce 3 name a secant a ab b

geometry unit 10 circles test answers answers for 2023 exams - Dec 27 2021

web the center is 0 0 and a point on the circle is 0 6 answer question 10 the center is 1 2 and a point on the circle is 4 2
answer $x^2 + y^2 = 9$ explanation $r^2 = h^2 + k^2 = 4 + 1 = 5$ $r = \sqrt{5}$ $r^2 = 5$ $x^2 + y^2 = 5$ question 11

chapter 10 resource masters math problem solving - May 12 2023

web isbn 0 07 860187 8 geometry chapter 10 resource masters chapter 10 test form 2d 597 598 chapter 10 test full size
answer keys are provided for the assessment masters in this booklet reading to learn mathematics vocabulary builder

10th grade geometry textbook final exam study com - Feb 26 2022

web test and improve your knowledge of 10th grade geometry textbook with fun multiple choice exams you can take online
with study com free practice test instructions choose your answer to the

ch 10 practice test algebra and trigonometry openstax - Jan 08 2023

web solve the triangle if possible and round each answer to the nearest tenth given $\beta = 68^\circ$ $b = 21$ $c = 16$ $\beta = 68^\circ$ $b = 21$ $c = 16$ 2 find the
area of the triangle in figure 1

chapter 10 test a geometry answers study finder - Jun 01 2022

web definition 1 it bisects the chord making both sides of the chord congruent and both sides of the arc congruent click the
card to flip now your chapter 10 test geometry answers is completed related links to chapter 11 test geometry answers yes
the opposite angles are always supplementary

chapter 10 circles mcgraw hill education - Sep 04 2022

web chapter 10 circles chapter readiness quiz chapter test concepts in motion problem of the week cards real world careers
standardized test practice vocabulary review

geometry chapter 10 test a answer key answers for 2023 exams - Jul 14 2023

web chapter 10 practice test for 1 to 4 select the correct answer 1 the perpendicular from the centre of a circle to a chord
studylib net doc 8442139 chapter 10 practice test geometry common core 15th edition chapter 10 area mid

geometry test chapter 10 answers flashcards quizlet - Apr 11 2023

web geometry test chapter 10 answers the regular polygon has a radius of 11 m find each angle measure to the nearest tenth
of a degree each linear measure to the nearest tenth of a meter and the square measure to the nearest square meter click the
card to flip a 22.5 b 45 c 8.3 m d 6.9 m

chapter 10 - Mar 30 2022

web all rights reserved worked out solutions chapter 10 chapter 10 maintaining mathematical proficiency p 527 $1 \times 7 \times 4 \times x$
 $x \times 4 \times 7 \times 4 \times 2 \times 4 \times 7 \times 28 \times 2 \times 11 \times 28$ the product is $x \times 2 \times 11 \times 28 \times 2 \times 1 \times 5 \times 1 \times 5 \times 2 \times 5 \times 5 \times 2 \times 4 \times 5$ the product is $a \times 2 \times 4 \times 5 \times 3$

geometry textbook solutions answers quizlet - Aug 03 2022

web browse through thousands of step by step solutions to end of chapter questions from the most popular geometry textbooks it s never been a better time to learn get your geometry homework done with quizlet

glencoe geometry chapter 10 answer key form signnow - Jan 28 2022

web the question arises how can i design the glencoe geometry chapter 10 answer key i received right from my gmail without any third party platforms the answer is simple use the signnow chrome extension below are five simple steps to get your geometry chapter 10 test answer key designed without leaving your gmail account

geometry chapter 10 answers pdf google sheets - Feb 09 2023

web geometry chapter 10 answers pdf geometry chapter 10 answers pdf sign in

practice test a answers mrs cunningham s course information - Mar 10 2023

web name chapter for use after chapter 10 date answers use the diagram to match the notation with the term that best describes it h tangent 10 12 13 15 16 17 18 19 20 qsc geometru 3 8 da ae ab tell how many common tangents the given circles have 10 qr is a radius of or and po is tangent to or find the value of x 13 q 30 18 12 14

chapter 10 geometry answer key answers for 2023 exams - Jun 13 2023

web geometry chapter 10 review answer key mylibrary org geometry chapter 10 test a answer key mylibrary org this chapter comes under unit coordinate geometry and has a weightage of 6 marks in the board examination there will be one mark mcq question 2mark reasoning questions and 3 marks short answer questions

name date period 10 chapter 10 test form 2a score - Aug 15 2023

web chapter 10 63glencoe geometry 10 write the letter for the correct answer in the blank at the right of each question for questions 1 3 use o 1 name a diameter a fg c ab ^ b ab d ce ^ 2 name a chord f fo g ab h ab ^

10 sınıf geometri konu anlatımı test soruları ve cevapları - Dec 07 2022

web 10 sınıf geometri dikdörtgen test soruları ve cevapları 10 sınıf geometri yamuk test soruları ve cevapları 10 sınıf geometri konu anlatımı test soruları ve cevapları en İyi geometri Özeti Özenle hazırlanmış geometri deltoid soruları ve cevapları

chapter 10 test review geometry answer key answers for 2023 exams - Apr 30 2022

web chapter 10 test geometry answer key mylibrary org chapter 10 test geometry answer key updated 5140 kb s 7261

chapter 10 test review with key yumpu 1 identify all tangents for circle o c g d a e o f h 2 draw a common internal tangent to r and s below

chapter 10 test form a geometry answer key answers for 2023 exams - Oct 05 2022

web 8200 chapter 10 test form a geometry answer key added by users 1676 kb s 12927 chapter 10 test geometry answer key mylibrary org chapter 10 test geometry answer key updated 5140 kb s 7261 chapter 10 test review with key yumpu 1

identify all tangents for circle o c g d a e o f h 2

ch 10 practice test folsom cordova unified school district - Jul 02 2022

web e b a circle is the set of all points in a plane that a have a center b are equidistant from a given point c have a diameter d lie within a given radius 4 define a secant of a circle and illustrate the definition on the circle below 5 ab is tangent to o at a not drawn to scale

Fuel your quest for knowledge with Learn from is thought-provoking masterpiece, Dive into the World of **Land Rover Starter Motor Wiring Guide** . This educational ebook, conveniently sized in PDF (Download in PDF: *), is a gateway to personal growth and intellectual stimulation. Immerse yourself in the enriching content curated to cater to every eager mind. Download now and embark on a learning journey that promises to expand your horizons. .

https://offsite.creighton.edu/files/virtual-library/Documents/genuine_isuzu_parts.pdf

https://offsite.creighton.edu/files/virtual-library/Documents/gary_wilson_surfboards.pdf

https://offsite.creighton.edu/files/virtual-library/Documents/game_of_thrones_valar_morghulis_meaning.pdf

Table of Contents Land Rover Starter Motor Wiring Guide

1. Understanding the eBook Land Rover Starter Motor Wiring Guide
 - The Rise of Digital Reading Land Rover Starter Motor Wiring Guide
 - Advantages of eBooks Over Traditional Books
2. Identifying Land Rover Starter Motor Wiring Guide
 - Exploring Different Genres
 - Considering Fiction vs. Non-Fiction
 - Determining Your Reading Goals
3. Choosing the Right eBook Platform
 - Popular eBook Platforms
 - Features to Look for in an Land Rover Starter Motor Wiring Guide
 - User-Friendly Interface
4. Exploring eBook Recommendations from Land Rover Starter Motor Wiring Guide
 - Personalized Recommendations

- Land Rover Starter Motor Wiring Guide User Reviews and Ratings
- Land Rover Starter Motor Wiring Guide and Bestseller Lists
- 5. Accessing Land Rover Starter Motor Wiring Guide Free and Paid eBooks
 - Land Rover Starter Motor Wiring Guide Public Domain eBooks
 - Land Rover Starter Motor Wiring Guide eBook Subscription Services
 - Land Rover Starter Motor Wiring Guide Budget-Friendly Options
- 6. Navigating Land Rover Starter Motor Wiring Guide eBook Formats
 - ePub, PDF, MOBI, and More
 - Land Rover Starter Motor Wiring Guide Compatibility with Devices
 - Land Rover Starter Motor Wiring Guide Enhanced eBook Features
- 7. Enhancing Your Reading Experience
 - Adjustable Fonts and Text Sizes of Land Rover Starter Motor Wiring Guide
 - Highlighting and Note-Taking Land Rover Starter Motor Wiring Guide
 - Interactive Elements Land Rover Starter Motor Wiring Guide
- 8. Staying Engaged with Land Rover Starter Motor Wiring Guide
 - Joining Online Reading Communities
 - Participating in Virtual Book Clubs
 - Following Authors and Publishers Land Rover Starter Motor Wiring Guide
- 9. Balancing eBooks and Physical Books Land Rover Starter Motor Wiring Guide
 - Benefits of a Digital Library
 - Creating a Diverse Reading Collection Land Rover Starter Motor Wiring Guide
- 10. Overcoming Reading Challenges
 - Dealing with Digital Eye Strain
 - Minimizing Distractions
 - Managing Screen Time
- 11. Cultivating a Reading Routine Land Rover Starter Motor Wiring Guide
 - Setting Reading Goals Land Rover Starter Motor Wiring Guide
 - Carving Out Dedicated Reading Time
- 12. Sourcing Reliable Information of Land Rover Starter Motor Wiring Guide
 - Fact-Checking eBook Content of Land Rover Starter Motor Wiring Guide

- Distinguishing Credible Sources
13. Promoting Lifelong Learning
- Utilizing eBooks for Skill Development
 - Exploring Educational eBooks
14. Embracing eBook Trends
- Integration of Multimedia Elements
 - Interactive and Gamified eBooks

Land Rover Starter Motor Wiring Guide Introduction

Land Rover Starter Motor Wiring Guide Offers over 60,000 free eBooks, including many classics that are in the public domain. Open Library: Provides access to over 1 million free eBooks, including classic literature and contemporary works. Land Rover Starter Motor Wiring Guide Offers a vast collection of books, some of which are available for free as PDF downloads, particularly older books in the public domain. Land Rover Starter Motor Wiring Guide : This website hosts a vast collection of scientific articles, books, and textbooks. While it operates in a legal gray area due to copyright issues, its a popular resource for finding various publications. Internet Archive for Land Rover Starter Motor Wiring Guide : Has an extensive collection of digital content, including books, articles, videos, and more. It has a massive library of free downloadable books. Free-eBooks Land Rover Starter Motor Wiring Guide Offers a diverse range of free eBooks across various genres. Land Rover Starter Motor Wiring Guide Focuses mainly on educational books, textbooks, and business books. It offers free PDF downloads for educational purposes. Land Rover Starter Motor Wiring Guide Provides a large selection of free eBooks in different genres, which are available for download in various formats, including PDF. Finding specific Land Rover Starter Motor Wiring Guide, especially related to Land Rover Starter Motor Wiring Guide, might be challenging as theyre often artistic creations rather than practical blueprints. However, you can explore the following steps to search for or create your own Online Searches: Look for websites, forums, or blogs dedicated to Land Rover Starter Motor Wiring Guide, Sometimes enthusiasts share their designs or concepts in PDF format. Books and Magazines Some Land Rover Starter Motor Wiring Guide books or magazines might include. Look for these in online stores or libraries. Remember that while Land Rover Starter Motor Wiring Guide, sharing copyrighted material without permission is not legal. Always ensure youre either creating your own or obtaining them from legitimate sources that allow sharing and downloading. Library Check if your local library offers eBook lending services. Many libraries have digital catalogs where you can borrow Land Rover Starter Motor Wiring Guide eBooks for free, including popular titles. Online Retailers: Websites like Amazon, Google Books, or Apple Books often sell eBooks. Sometimes, authors or publishers offer promotions or free periods for certain books. Authors Website

Occasionally, authors provide excerpts or short stories for free on their websites. While this might not be the Land Rover Starter Motor Wiring Guide full book, it can give you a taste of the authors writing style. Subscription Services Platforms like Kindle Unlimited or Scribd offer subscription-based access to a wide range of Land Rover Starter Motor Wiring Guide eBooks, including some popular titles.

FAQs About Land Rover Starter Motor Wiring Guide Books

How do I know which eBook platform is the best for me? Finding the best eBook platform depends on your reading preferences and device compatibility. Research different platforms, read user reviews, and explore their features before making a choice. Are free eBooks of good quality? Yes, many reputable platforms offer high-quality free eBooks, including classics and public domain works. However, make sure to verify the source to ensure the eBook credibility. Can I read eBooks without an eReader? Absolutely! Most eBook platforms offer webbased readers or mobile apps that allow you to read eBooks on your computer, tablet, or smartphone. How do I avoid digital eye strain while reading eBooks? To prevent digital eye strain, take regular breaks, adjust the font size and background color, and ensure proper lighting while reading eBooks. What the advantage of interactive eBooks? Interactive eBooks incorporate multimedia elements, quizzes, and activities, enhancing the reader engagement and providing a more immersive learning experience. Land Rover Starter Motor Wiring Guide is one of the best book in our library for free trial. We provide copy of Land Rover Starter Motor Wiring Guide in digital format, so the resources that you find are reliable. There are also many Ebooks of related with Land Rover Starter Motor Wiring Guide. Where to download Land Rover Starter Motor Wiring Guide online for free? Are you looking for Land Rover Starter Motor Wiring Guide PDF? This is definitely going to save you time and cash in something you should think about. If you trying to find then search around for online. Without a doubt there are numerous these available and many of them have the freedom. However without doubt you receive whatever you purchase. An alternate way to get ideas is always to check another Land Rover Starter Motor Wiring Guide. This method for see exactly what may be included and adopt these ideas to your book. This site will almost certainly help you save time and effort, money and stress. If you are looking for free books then you really should consider finding to assist you try this. Several of Land Rover Starter Motor Wiring Guide are for sale to free while some are payable. If you arent sure if the books you would like to download works with for usage along with your computer, it is possible to download free trials. The free guides make it easy for someone to free access online library for download books to your device. You can get free download on free trial for lots of books categories. Our library is the biggest of these that have literally hundreds of thousands of different products categories represented. You will also see that there are specific sites catered to different product types or categories, brands or niches related with Land Rover Starter

Motor Wiring Guide. So depending on what exactly you are searching, you will be able to choose e books to suit your own need. Need to access completely for Campbell Biology Seventh Edition book? Access Ebook without any digging. And by having access to our ebook online or by storing it on your computer, you have convenient answers with Land Rover Starter Motor Wiring Guide To get started finding Land Rover Starter Motor Wiring Guide, you are right to find our website which has a comprehensive collection of books online. Our library is the biggest of these that have literally hundreds of thousands of different products represented. You will also see that there are specific sites catered to different categories or niches related with Land Rover Starter Motor Wiring Guide So depending on what exactly you are searching, you will be able to choose ebook to suit your own need. Thank you for reading Land Rover Starter Motor Wiring Guide. Maybe you have knowledge that, people have search numerous times for their favorite readings like this Land Rover Starter Motor Wiring Guide, but end up in harmful downloads. Rather than reading a good book with a cup of coffee in the afternoon, instead they juggled with some harmful bugs inside their laptop. Land Rover Starter Motor Wiring Guide is available in our book collection an online access to it is set as public so you can download it instantly. Our digital library spans in multiple locations, allowing you to get the most less latency time to download any of our books like this one. Merely said, Land Rover Starter Motor Wiring Guide is universally compatible with any devices to read.

Find Land Rover Starter Motor Wiring Guide :

genuine isuzu parts

[gary wilson surfboards](#)

[game of thrones valar morghulis meaning](#)

[golang gui framework](#)

general midwifery nursing

[gary soto fun facts](#)

general ielts test preparation

[geometry unit 8](#)

general affidavit form free

[god roll horror story](#)

gluten free baking cookbook

game changer rachel reid pdf

[going to japan without speaking japanese](#)

gace business education study guide

geometry diagnostic test with answers pdf

Land Rover Starter Motor Wiring Guide :