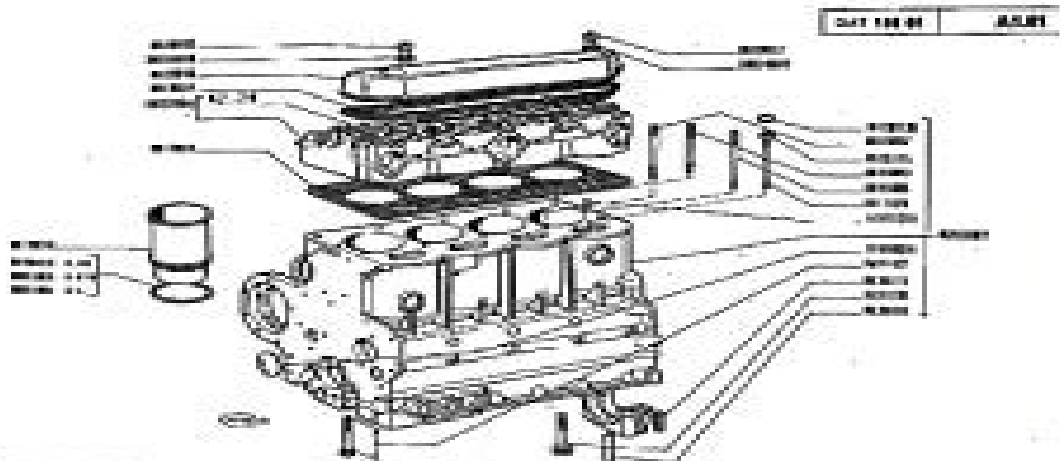




PARTS MANUAL



850-850 DT
17 10

BASEMENTO E TESTA CILINDRI
 Base and Cylinder Head
 Componenti e Caratteristiche

AL.01

Imt Af 180 Manual

Williamson Murray



Imt Af 180 Manual

Instrument Flying Air Force,2013-09

Manual of Hypertension of the European Society of Hypertension, Third Edition Giuseppe Mancia,Guido Grassi,Konstantinos Tsioufis,Anna Dominiczak,Enrico Agabiti Rosei,2019-06-06 The Manual of Hypertension of the European Society of Hypertension reflects emerging concepts that have the potential to impact diagnostic and therapeutic approaches to hypertension Updating all material this new edition also delves into a number of areas that have received heightened interest in recent years or have become a matter of debate due to the controversial interpretation of the available data FEATURES Reflects emerging concepts impacting diagnostic and therapeutic approaches Explores background history epidemiology and risk factors Describes pharmacological nonpharmacological and medical treatments Examines hypertension in special populations and treatment

ASPC Manual of Preventive Cardiology Ezra A. Amsterdam,Nathan Wong,Ezra Amsterdam, MD,Roger Blumenthal, MD, FACC, FAHA,2014-10-23 Endorsed by the American Society for Preventive Cardiology this highly practical resource focuses on the application of current guidelines and practice standards in the clinical management of cardiovascular risk factors The Manual presents concise descriptions of each major cardiovascular risk factor and practical to the point discussions of current best practices in clinical management In addition the Manual includes chapters on peripheral arterial disease stroke smoking contemporary cardiovascular imaging heart failure metabolic syndrome thrombosis nutrition special populations novel risk factors and psychosocial stress Throughout the Manual recommendations are based on the most recent prevention guidelines of the American College of Cardiology and American Heart Association including those on Risk Assessment Lifestyle Recommendations Blood Cholesterol and Obesity as well as the new guidelines on Hypertension Chapter authors are recognized leaders in each area of practice and special efforts have been made by the authors and editors to ensure that the content of all chapters is as up to date as possible Key Features Presents a highly practical focus on the application of current guidelines and practice standards regarding cardiovascular risk factors Recommendations based on the most recent prevention guidelines Authored by recognized leaders in the field Covers all major cardiovascular risk factors key methodologies in risk assessment and special issues regarding specific patient populations

The Air Force Law Review ,1974

BSAVA Manual of Canine and Feline Haematology and Transfusion Medicine British Small Animal Veterinary Association,2000 This unique book written by specialists from the UK the USA Canada Australia and South Africa bridges the disciplines of clinical pathology internal medicine and critical care in a single volume The Manual is divided into three sections haematology haemostasis and transfusion medicine Within each section review chapters are augmented by contributions on selected topics of interest to the practitioner Methods of sample collection and interpretation for routine haematology haemostatic function and bone marrow analysis are reviewed and new developments such as flow cytometry for typing leukaemias outlined The diagnosis and management of a range of major infectious immune mediated and neoplastic diseases of the haematopoietic system are discussed A chapter on canine babesiosis is timely given the recent reports of cases in the UK and a chapter is also included on the feline pathogen Haemobartonella felis A wealth of excellent colour photographs throughout the book illustrates cell types and abnormalities plus techniques such as blood transfusion The range of coverage and the practical information in this Manual will render it of great value in the practice setting BSAVA BVNA and FECAVA members can claim their member discount by ordering direct from British Small Animal Veterinary Association Woodrow House 1 Telford Way Waterwells Business Park Quedgeley Gloucester GL2 4AB Tel 01452 726709 Fax 01452 726701 E mail publications bsava com

Customary International Humanitarian Law Jean-Marie Henckaerts,Carolin Alvermann,Comité international de la Croix-Rouge,2005-03-03 Customary International Humanitarian Law Volume I Rules is a comprehensive analysis of the customary rules of international humanitarian law applicable in international and non international armed conflicts In the absence of ratifications of important treaties in this area this is clearly a publication of major importance carried out at the express request of the international community In so doing this study identifies the common core of international humanitarian law binding on all parties to all armed conflicts Comment Don RWI

TRADOC Pamphlet TP 600-4 The Soldier's Blue Book United States Government Us Army,2019-12-14 This manual TRADOC Pamphlet TP 600 4 The Soldier s Blue Book The Guide for Initial Entry Soldiers August 2019 is the guide for all Initial Entry Training IET Soldiers who join our Army Profession It provides an introduction to being a Soldier and Trusted Army Professional certified in character competence and commitment to the Army The pamphlet introduces Solders to the Army Ethic Values Culture of Trust History Organizations and Training It provides information on pay leave Thrift Saving Plans TSPs and organizations that will be available to assist you and your Families The Soldier s Blue Book is mandated reading and will be maintained and available during BCT OSUT and AIT This pamphlet applies to all active Army U S Army Reserve and the Army National Guard enlisted IET conducted at service schools Army Training Centers and other training activities under the control of Headquarters TRADOC

Recommendations on the Transport of Dangerous Goods United Nations,2020-01-06 The Manual of Tests and Criteria contains criteria test methods and procedures to be used for classification of dangerous goods according to the provisions of Parts 2 and 3 of the United Nations Recommendations on the Transport of Dangerous Goods Model Regulations as well as of chemicals presenting physical hazards according to the Globally Harmonized System of Classification and Labelling of Chemicals GHS As a consequence it supplements also national or international regulations which are derived from the United Nations Recommendations on the Transport of Dangerous Goods or the GHS At its ninth session 7 December 2018 the Committee adopted a set of amendments to the sixth revised edition of the Manual as amended by Amendment 1 This seventh revised edition takes account of these amendments In addition noting that the work to facilitate the use of the Manual in the context of the GHS had been completed the Committee considered that the reference to the Recommendations on the Transport of Dangerous Goods in the title of the Manual was no longer appropriate and decided that from now on the Manual should be entitled Manual of Tests and Criteria

User's Guide for JOPES (Joint Operation Planning and Execution System). United States. Joint Chiefs of Staff,1995

Strategy For Defeat: The Luftwaffe, 1933-1945 [Illustrated Edition] Williamson Murray,2015-11-06 Includes the Aerial Warfare In Europe During World War II illustrations pack with over 200 maps plans and photos This book is a comprehensive analysis of an air force the Luftwaffe in World War II It follows the Germans from their prewar preparations to their final defeat There are many disturbing parallels with our current situation I urge every student of military science to read it carefully The lessons of the nature of warfare and the application of airpower can provide the guidance to develop our fighting forces and employment concepts to meet the significant challenges we are certain to face in the future

German Northern Theater of Operations 1940-1945 [Illustrated Edition] Earl Ziemke,2015-11-06 Includes 23 maps and 31 illustrations This volume describes two campaigns that the Germans conducted in their Northern Theater of Operations The first they launched on 9 April 1940 against Denmark and Norway The second they conducted out of Finland in partnership with the Finns against the Soviet Union The latter campaign began on 22 June 1941 and ended in the winter of 1944 45 after the Finnish Government had sued for peace The scene of these campaigns by the end of 1941 stretched from the North Sea to the Arctic Ocean and from Bergen on the west coast of Norway to Petrozavodsk the former capital of the Karelo Finnish Soviet Socialist Republic It faced east into the Soviet Union on a 700 mile long front and west on a 1 300 mile sea frontier Hitler regarded this theater as the keystone of his empire and after 1941 maintained in it two armies totaling over a half million men In spite of its vast area and the effort and worry which Hitler lavished on it the Northern Theater throughout most of the war constituted something of a military backwater The major operations which took place in the theater were overshadowed by events on other fronts and public attention focused on the theaters in which the strategically decisive operations were expected to take place Remoteness German security measures and the Russians well known penchant for secrecy combined to keep information concerning the Northern Theater down to a mere trickle much of that inaccurate Since the war through official and private publications a great deal more has become known The present volume is based in the main on the greatest remaining source of unexploited information the captured German military and naval records In addition a number of the participants on the German side have very generously contributed from their personal knowledge and experience

The Soviet Partisan Movement, 1941-1944 Edgar M. Howell,2014-08-15 The purpose of this text is to provide the Army with a factual account of the organization and operations of the Soviet resistance movement behind the German forces on the Eastern Front during World War II This movement offers a particularly valuable case study for it can be viewed both in relation to the German occupation in the Soviet Union and to the offensive and defensive operations of the Wehrmacht and the Red Army The scope of the study includes an over all picture of a quasi military organization in relation to a larger conflict between two regular armies It is not a study in partisan tactics nor is it intended to be German measures taken to combat the partisan movement are sketched in but the story in large part remains that of an organization and how it operated The German planning for the invasion of Russia is treated at some length because many of the circumstances which favored the rise and development of the movement had their bases in errors the Germans made in their initial planning The operations of the Wehrmacht and the Red Army are likewise described in considerable detail as the backdrop against which the operations of the partisan units are projected Because of the lack of reliable Soviet sources the story has been told much as the Germans recorded it German documents written during the course of World War II constitute the principal sources but many survivors who had experience in Russia have made important contributions based upon their personal experience

Operation and Maintenance Manual for Electrostatic Precipitators ,1985

Mergent OTC Unlisted Manual ,2003

Functional Neurology for Practitioners of Manual Medicine E-Book Randy W. Beck,2011-09-21 Fuctional Neurology for Practitioners of Manual Medicine takes the reader from the embryonic beginnings of the nervous system through the biochemistry of receptor activation and on to the functional systems of the nervous system Concepts relationships and scientific mechanisms of the nervous system function are covered and this aids the practitioner in developing their clinical approach to a wide variety of patient presentations The text is fully referenced which allows the reader to immediately apply the concepts to practice situations New for this edition are new chapters on pain including headache and theoretical evidence plus extensive electronic resources supporting the text Utilizes our understanding of how the nervous system works in the treatment of a variety of clinical conditions Demystifies the clinical results seen in the practice of Functional Neurology and scientifically validates its clinical success Addresses function rather than pathology allowing the reader to gain a firm understanding of the neurological processes seen in health and disease Contains clinical cases which are designed to be read and answered before starting the chapter to allow the reader to gauge their current state of knowledge Quick Facts introduce new concepts or allow rapid review of information already presented in the text in a brief and succinct manner Contains a detailed overview of the concepts relating to our understanding of the development of emotion to demonstrate the link between physical health and the mind Contains abundant references to support controversial concepts Contains new chapters on theoretical evidence and the management of pain including headache Contains a wide range of additional case studies clinical conundrums and key questions and answers for each topic Bonus DVD contains fully searchable text a downloadable image bank brain dissection and video clips of the manipulative techniques and examination procedures found within the volume plus 200 multiple choice questions

Corrosion Control for Offshore Structures Ramesh Singh,2014-08-12 A variable game changer for those companies operating in hostile corrosive marine environments Corrosion Control for Offshore Structures provides critical corrosion control tips and techniques that will prolong structural life while saving millions in cost In this book Ramesh Singh explains the ABCs of prolonging structural life of platforms and pipelines while reducing cost and decreasing the risk of failure Corrosion Control for Offshore Structures places major emphasis on the popular use of cathodic protection CP combined with high efficiency coating to prevent subsea corrosion This reference begins with the fundamental science of corrosion and structures and then moves on to cover more advanced topics such as cathodic protection coating as corrosion prevention using mill applied coatings field applications and the advantages and limitations of some common coating systems In addition the author provides expert insight on a number of NACE and DNV standards and recommended practices as well as ISO and Standard and Test Methods Packed with tables charts and case studies Corrosion Control for Offshore Structures is a valuable guide to offshore corrosion control both in terms of its theory and application Prolong the structural life of your offshore platforms and pipelines Understand critical topics such as cathodic protection and coating as corrosion prevention with mill applied coatings Gain expert insight on a number of NACE and DNV standards and recommended practices as well as ISO and Standard Test Methods

Manual of Symbols and Terminology for Physicochemical Quantities and Units D. H. Whiffen, 2013-10-22 Manual of Symbols and Terminology for Physicochemical Quantities and Units 1979 Edition contains physical quantity tabulations of products The Commission on Symbols Terminology and Units is a part of the Division of Physical Chemistry of the International Union of Pure and Applied Chemistry Its general responsibilities are to secure clarity and precision and wider agreement in the use of symbols by chemists in different countries among physicists chemists and engineers and by editors of scientific journals This book is composed of 13 chapters and begins with the determination of physical quantities and symbols for physical quantities which are generally organized in a dimensional system built upon seven base quantities The succeeding chapters deal with recommended names and symbols for quantities in chemistry and physics These topics are followed by discussions on units and symbols for units numbers that printed in upright type Other chapters describe physical quantities units and numerical values recommended mathematical symbols symbols for chemical elements nuclides and particles The final chapters consider the values of some fundamental constants This book will be of value to analytical and physical chemists

Demeter's Manual of Parliamentary Law and Procedure George Demeter, 1969

IAMSAR Manual International Maritime Organization, 2002

DSCA Handbook United States. Department of Defense, 2010 This two in one resource includes the Tactical Commanders and Staff Toolkit plus the Liaison Officer Toolkit Defense Support of Civil Authorities DSCA enables tactical level Commanders and their Staffs to properly plan and execute assigned DSCA missions for all hazard operations excluding Chemical Biological Radiological Nuclear high yield Explosives CBRNE or acts of terrorism Applies to all United States military forces including Department of Defense DOD components Active and Reserve forces and National Guard when in Federal Status This hand on resource also may be useful information for local and state first responders Chapter 1 contains background information relative to Defense Support of Civil Authorities DSCA including legal doctrinal and policy issues Chapter 2 provides an overview of the incident management processes including National Response Framework NRF National Incident Management Systems NIMS and Incident Command System ICS as well as Department of Homeland Security DHS Chapter 3 discusses the civilian and military responses to natural disaster Chapter 4 provides a brief overview of Joint Operation Planning Process and mission analysis Chapter 5 covers Defense Support of Civilian Authorities DSCA planning factors for response to all hazard events Chapter 6 is review of safety and operational composite risk management processes Chapters 7 11 contain Concepts of Operation CONOPS and details five natural hazards disasters and the pertinent planning factors for each within the scope of DSCA

The Enigmatic Realm of **Imt Af 180 Manual**: Unleashing the Language is Inner Magic

In a fast-paced digital era where connections and knowledge intertwine, the enigmatic realm of language reveals its inherent magic. Its capacity to stir emotions, ignite contemplation, and catalyze profound transformations is nothing in short supply of extraordinary. Within the captivating pages of **Imt Af 180 Manual** a literary masterpiece penned by way of a renowned author, readers attempt a transformative journey, unlocking the secrets and untapped potential embedded within each word. In this evaluation, we shall explore the book's core themes, assess its distinct writing style, and delve into its lasting affect the hearts and minds of those that partake in its reading experience.

<https://offsite.creighton.edu/results/Resources/fetch.php/gold%20coast%20real%20estate%20continuing%20education.pdf>
<https://offsite.creighton.edu/results/Resources/fetch.php/Glove%20And%20Stocking%20Neuropathy%20Differential.pdf>
https://offsite.creighton.edu/results/Resources/fetch.php/Gma_Sarah_Jacob_Boss.pdf

Table of Contents Imt Af 180 Manual

1. Understanding the eBook Imt Af 180 Manual
 - The Rise of Digital Reading Imt Af 180 Manual
 - Advantages of eBooks Over Traditional Books
2. Identifying Imt Af 180 Manual
 - Exploring Different Genres
 - Considering Fiction vs. Non-Fiction
 - Determining Your Reading Goals
3. Choosing the Right eBook Platform
 - Popular eBook Platforms
 - Features to Look for in an Imt Af 180 Manual
 - User-Friendly Interface
4. Exploring eBook Recommendations from Imt Af 180 Manual
 - Personalized Recommendations
 - Imt Af 180 Manual User Reviews and Ratings
 - Imt Af 180 Manual and Bestseller Lists

-
5. Accessing Imt Af 180 Manual Free and Paid eBooks
 - Imt Af 180 Manual Public Domain eBooks
 - Imt Af 180 Manual eBook Subscription Services
 - Imt Af 180 Manual Budget-Friendly Options
 6. Navigating Imt Af 180 Manual eBook Formats
 - ePub, PDF, MOBI, and More
 - Imt Af 180 Manual Compatibility with Devices
 - Imt Af 180 Manual Enhanced eBook Features
 7. Enhancing Your Reading Experience
 - Adjustable Fonts and Text Sizes of Imt Af 180 Manual
 - Highlighting and Note-Taking Imt Af 180 Manual
 - Interactive Elements Imt Af 180 Manual
 8. Staying Engaged with Imt Af 180 Manual
 - Joining Online Reading Communities
 - Participating in Virtual Book Clubs
 - Following Authors and Publishers Imt Af 180 Manual
 9. Balancing eBooks and Physical Books Imt Af 180 Manual
 - Benefits of a Digital Library
 - Creating a Diverse Reading Collection Imt Af 180 Manual
 10. Overcoming Reading Challenges
 - Dealing with Digital Eye Strain
 - Minimizing Distractions
 - Managing Screen Time
 11. Cultivating a Reading Routine Imt Af 180 Manual
 - Setting Reading Goals Imt Af 180 Manual
 - Carving Out Dedicated Reading Time
 12. Sourcing Reliable Information of Imt Af 180 Manual
 - Fact-Checking eBook Content of Imt Af 180 Manual
 - Distinguishing Credible Sources
 13. Promoting Lifelong Learning

-
- Utilizing eBooks for Skill Development
 - Exploring Educational eBooks
14. Embracing eBook Trends
- Integration of Multimedia Elements
 - Interactive and Gamified eBooks

Imt Af 180 Manual Introduction

In today's digital age, the availability of Imt Af 180 Manual books and manuals for download has revolutionized the way we access information. Gone are the days of physically flipping through pages and carrying heavy textbooks or manuals. With just a few clicks, we can now access a wealth of knowledge from the comfort of our own homes or on the go. This article will explore the advantages of Imt Af 180 Manual books and manuals for download, along with some popular platforms that offer these resources. One of the significant advantages of Imt Af 180 Manual books and manuals for download is the cost-saving aspect. Traditional books and manuals can be costly, especially if you need to purchase several of them for educational or professional purposes. By accessing Imt Af 180 Manual versions, you eliminate the need to spend money on physical copies. This not only saves you money but also reduces the environmental impact associated with book production and transportation. Furthermore, Imt Af 180 Manual books and manuals for download are incredibly convenient. With just a computer or smartphone and an internet connection, you can access a vast library of resources on any subject imaginable. Whether you're a student looking for textbooks, a professional seeking industry-specific manuals, or someone interested in self-improvement, these digital resources provide an efficient and accessible means of acquiring knowledge. Moreover, PDF books and manuals offer a range of benefits compared to other digital formats. PDF files are designed to retain their formatting regardless of the device used to open them. This ensures that the content appears exactly as intended by the author, with no loss of formatting or missing graphics. Additionally, PDF files can be easily annotated, bookmarked, and searched for specific terms, making them highly practical for studying or referencing. When it comes to accessing Imt Af 180 Manual books and manuals, several platforms offer an extensive collection of resources. One such platform is Project Gutenberg, a nonprofit organization that provides over 60,000 free eBooks. These books are primarily in the public domain, meaning they can be freely distributed and downloaded. Project Gutenberg offers a wide range of classic literature, making it an excellent resource for literature enthusiasts. Another popular platform for Imt Af 180 Manual books and manuals is Open Library. Open Library is an initiative of the Internet Archive, a non-profit organization dedicated to digitizing cultural artifacts and making them accessible to the public. Open Library hosts millions of books, including both public domain works and contemporary titles. It also allows users to borrow digital copies of certain books for a limited period, similar to a library.

lending system. Additionally, many universities and educational institutions have their own digital libraries that provide free access to PDF books and manuals. These libraries often offer academic texts, research papers, and technical manuals, making them invaluable resources for students and researchers. Some notable examples include MIT OpenCourseWare, which offers free access to course materials from the Massachusetts Institute of Technology, and the Digital Public Library of America, which provides a vast collection of digitized books and historical documents. In conclusion, Imt Af 180 Manual books and manuals for download have transformed the way we access information. They provide a cost-effective and convenient means of acquiring knowledge, offering the ability to access a vast library of resources at our fingertips. With platforms like Project Gutenberg, Open Library, and various digital libraries offered by educational institutions, we have access to an ever-expanding collection of books and manuals. Whether for educational, professional, or personal purposes, these digital resources serve as valuable tools for continuous learning and self-improvement. So why not take advantage of the vast world of Imt Af 180 Manual books and manuals for download and embark on your journey of knowledge?

FAQs About Imt Af 180 Manual Books

How do I know which eBook platform is the best for me? Finding the best eBook platform depends on your reading preferences and device compatibility. Research different platforms, read user reviews, and explore their features before making a choice. Are free eBooks of good quality? Yes, many reputable platforms offer high-quality free eBooks, including classics and public domain works. However, make sure to verify the source to ensure the eBook credibility. Can I read eBooks without an eReader? Absolutely! Most eBook platforms offer web-based readers or mobile apps that allow you to read eBooks on your computer, tablet, or smartphone. How do I avoid digital eye strain while reading eBooks? To prevent digital eye strain, take regular breaks, adjust the font size and background color, and ensure proper lighting while reading eBooks. What the advantage of interactive eBooks? Interactive eBooks incorporate multimedia elements, quizzes, and activities, enhancing the reader engagement and providing a more immersive learning experience. Imt Af 180 Manual is one of the best book in our library for free trial. We provide copy of Imt Af 180 Manual in digital format, so the resources that you find are reliable. There are also many Ebooks of related with Imt Af 180 Manual. Where to download Imt Af 180 Manual online for free? Are you looking for Imt Af 180 Manual PDF? This is definitely going to save you time and cash in something you should think about.

Find Imt Af 180 Manual :

gold coast real estate continuing education

glove and stocking neuropathy differential

gma sarah jacob boss

geometry final project

~~general science study guide~~

genetic problems worksheet

george friedman books

~~god created integers~~

gideon's trumpet pdf

gantz giant woman

gallup emotional intelligence

getty oil change

god's debris pdf

go by the wall and tickle the bricks

gestion du stress

Imt Af 180 Manual :

the singapore story student edition apple books - Mar 31 2022

web about the book this student edition of the singapore story is a shortened version of the original edition of the singapore story the first volume of lee kuan yew s memoirs published in 2008 it covers all the significant moments in the life br of singapore s firs

the singapore story memoirs of lee kuan yew first edition - Feb 10 2023

web oct 14 1998 singapore s former senior minister lee kuan yew provides an account of his personal and political life and provides a blow by blow chronicle of his dealings with political groups and leaders both malaysian and international on the road to independence includes b w photographs

the singapore story by lee kuan yew open library - Aug 04 2022

web oct 31 2022 the singapore story memoirs of lee kuan yew 1965 2000 li guang yao hui yi lu in traditional chinese not in english 2000 shi jie shu ju unknown binding in mandarin chu ban edition 9570602171 9789570602173 zzzz

the singapore story student edition memoirs of lee kuan yew - Apr 12 2023

web bir lee kuan yew eseri olan the singapore story student edition memoirs of lee kuan yew e kitap olarak en cazip fiyat ile d r de keşfetmek için hemen tıklayınız

the singapore story student edition on apple books - Jan 09 2023

web jul 24 2015 this student edition of the singapore story is a shortened version of the original edition of the singapore story the first volume of lee kuan yew s memoirs published in 2008 it covers all the significant moments in the life

the singapore story student edition memoirs of lee kuan yew - May 01 2022

web this student edition of the singapore story is a shortened version of the original edition of the singapore story the first volume of lee kuan yew s memoirs published in 2008 it covers all the significant moments in the life of singapore s first prime minister in his own words and dispenses with passages that do not directly concern

[the singapore story memoirs of lee kuan yew archive org](#) - Jul 15 2023

web oct 13 2015 this student edition of the singapore story is a shortened version of the original edition of the singapore story the first volume of lee kuan yew s memoirs published in 2008 it covers all the significant moments in the life of singapore s first prime minister in his own words and dispenses with passages that do not directly concern

[the singapore story student edition memoirs of lee kuan yew](#) - Jun 14 2023

web jul 15 2015 this student edition of the singapore story is a shortened version of the original edition of the singapore story the first volume of lee kuan yew s memoirs published in 2008 it

the singapore story student edition memoirs of lee kuan yew - Nov 07 2022

web the singapore story student edition memoirs of lee kuan yew ebook written by lee kuan yew read this book using google play books app on your pc android ios devices download for offline reading highlight bookmark or take notes while you read the singapore story student edition memoirs of lee kuan yew

[amazon com customer reviews the singapore story student edition](#) - Jan 29 2022

web may 23 2023 this is the first volume of lee kuan yew s autobiography telling the story of his life in great detail beginning with the brutal occupation of singapore by the japanese in wwii and ending with the unlikely declaration of independence from malaysia in 1965 after less than two years of unification

the singapore story memoirs of lee kuan yew student edition - Mar 11 2023

web oct 3 2022 this student edition of the singapore story memoirs of lee kuan yew is a shortened version of the original edition of the singapore story the first volume of lee kuan yew s memoirs published in 2008

[the singapore story student edition pdfneed](#) - Dec 28 2021

web the singapore story student edition download now download or read book the singapore story student edition written by

lee kuan yew and published by marshall cavendish international asia pte ltd this book was released on 2015 07 15 with total page 386 pages available in pdf epub and kindle

the singapore story memoirs of lee kuan yew student edition - Oct 06 2022

web by lee kuan yew 0 the singapore story student edition is primarily for the student as part of national education it is also for the general reader who wants a shorter more digestible version of the original unabridged first volume the singapore story

the singapore story memoirs of lee kuan yew goodreads - Dec 08 2022

web the singapore story follows the journey of singapore from pre world war 2 to gaining independence in 1965 i initially thought this memoir would be 600 lengthy pages of how lky dislikes communism plays golf and visits the cameron highlands to clear his mind

the singapore story memoirs of lee kuan yew archive org - May 13 2023

web the singapore story is the first volume of the memoirs of lee kuan yew the man who planted this island state firmly on the map of the world in intimate detail lee recounts the battles against colonialists communists and communalists that led to *the singapore story student edition memoirs of lee kuan* - Sep 05 2022

web this student edition of the singapore story is a shortened version of the original edition of the singapore story the first volume of lee kuan yew s memoirs published in 2008 it covers all the significant moments in the life of singapore s first prime minister in his own words and dispenses with passages that do not directly concern

the singapore story student edition memoirs of lee kuan yew - Feb 27 2022

web jul 15 2015 this student edition of the singapore story is a shortened version of the original edition of the singapore story the first volume of lee kuan yew s memoirs published in 2008 it covers all the significant moments in the life of singapore s first prime minister in his own words and dispenses with passages that do not directly concern

the singapore story student edition memoirs of lee kuan - Jun 02 2022

web jul 15 2015 this student edition of the singapore story is a shortened version of the original edition of the singapore story the first volume of lee kuan yew s memoirs published in 2008 it covers all the significant moments in the life of singapore s first prime minister in his own words and dispenses with passages that do not directly concern

the singapore story student edition memoirs of lee kuan yew - Jul 03 2022

web this student edition of the singapore story is a shortened version of the original edition of the singapore story the first volume of lee kuan yew s memoirs published in 2008 it covers all the significant moments in the life of singapore s first prime minister in his own words and dispenses with passages that do not directly concern

the singapore story memoirs of lee kuan yew google books - Aug 16 2023

web sep 15 2012 the singapore story is the first volume of the memoirs of lee kuan yew the man who planted the island state of singapore firmly on the map of the world it was first published in 1999 in

[the boys rotten tomatoes](#) - Jan 12 2023

web jun 3 2022 watch the boys season 3 with a subscription on amazon prime video episodes 1 payback air date jun 3 2022 one year following stormfront s public controversy butcher and the boys now work

the boys season 3 everything we know what to watch - Aug 19 2023

web jul 8 2022 the boys cast the boys is a pretty big ensemble cast many of which broke out because of the show to make it easy we ll break it up by the main group of vigilantes the boys and their superpowered foes the seven making up the boys are karl urban as the foul mouthed leader billy butcher jack quaid as the conscious of the team

[season three the boys wiki fandom](#) - Jul 06 2022

web the boys wiki 1 018 pages explore comic series episodes characters cast in season three seasons television series english season three sign in to edit play sound season three episodes 8 air date june 3 2022 july 8 2022 premiere payback finale the instant white hot wild

[the boys season 3 cast and character guide who s who in collider](#) - May 16 2023

web jun 3 2022 while you eagerly wait for the new season of amazon s hit superhero satire the boys let s take a look at who s returning and who s new to the crew

[the boys season 3 wikipedia](#) - Oct 21 2023

web the third season of the american superhero television series the boys the first series in the franchise based on the comic book series of the same name written by garth ennis and darick robertson was developed for television by

the boys season 3 episode 3 rotten tomatoes - Mar 02 2022

web episode info three contestants remain in the finale of american hero and only two are allowed to join the seven someone will be moving into the seven tower genres comedy drama action

the boys tv series wikipedia - May 04 2022

web cast and characters karl urban as billy butcher 2 the leader of the boys and a former sas operative who distrusts all superpowered individuals he has a particular hatred towards homelander who he believes is responsible for the disappearance of his wife luca villacis and josh zaharia portray younger versions of the character

the boys season 3 release date and time tom s guide - Jun 17 2023

web jun 3 2022 surprise the boys season 3 s release date just moved up as one of the best prime video shows is back and they ve brought a new supe too soldier boy jensen ackles the boys season 3 start

the boys tv series 2019 episode list imdb - Feb 13 2023

web fri jun 3 2022 one year following stormfront s public controversy butcher and the boys now work as contractors for neuman s bureau of superhero affairs in order to apprehend problematic supes with hughie acting as their liaison 8 3 10 13k rate watch options

the boys full season 3 review ign - Mar 14 2023

web jul 11 2022 season 3 of the boys is now streaming on prime video the below review describes some plot details but no major spoilers see our spoiler filled reviews of each episode below the boys season

the boys season 3 release date trailer and more techradar - Jul 18 2023

web published 7 january 2022 the boys season 3 has been released the boys season 3 promises to be the bloodiest and most surreal entry yet image credit amazon studios jump to release date

here s everything to remember about the boys season 2 - Sep 08 2022

web jun 1 2022 megan vick kat moon june 1 2022 11 07 a m pt the boys is coming back this week in what s bound to be a diabolical and supe tastic season 3 billy butcher karl urban and his team once

the boys season 3 release date cast and everything to - Nov 10 2022

web jun 3 2022 the boys are back in town amazon released the first look at season 3 in march 2022 and it might leave fans with more questions than answers billy butcher karl urban looks into the mirror

the boys season 3 has a diabolically official release date - Apr 15 2023

web jan 7 2022 after what feels like an eternity the boys season 3 has finally been given an official release date june 3 2022 amazon studios tv adaptation of garth ennis and darick robertson s beloved

prime video the boys season 3 - Oct 09 2022

web prime video the boys season 3 this title may not be available to watch from your location go to amazon com to see the video catalog in united states primetime emmys 1x nominee in 2023 season 3 it s been a year of calm homelander s subdued butcher works for the government supervised by hughie of all people

the boys season 3 episode 4 release date and time tom s guide - Dec 11 2022

web jun 10 2022 streaming the boys season 3 episode 4 release date and time how to watch right now by henry t casey

published 10 june 2022 what will the boys season 3 episode 4 give the fakest new power

the boys season 3 release date cast spoilers and latest news - Jun 05 2022

web the boys season 3 will premiere on amazon prime video on friday 3rd june 2022 it has been confirmed you can sign up for prime video with a 30 day free trial and pay 7 99 a month after that

the boys season 3 release date cast plot and more digital spy - Aug 07 2022

web may 3 2022 amazon prime you can t claim the boys team don t keep fans completely up to date with everything going

on on january 7 it was confirmed the official release date for season three is june 3

the boys tv series 2019 imdb - Apr 03 2022

web the boys created by eric kripke with karl urban jack quaid antony starr erin moriarty a group of vigilantes set out to take down corrupt superheroes who abuse their superpowers

the boys season 3 official trailer prime video youtube - Sep 20 2023

web may 16 2022 it's been a year of calm homelander's subdued butcher works for the government supervised by hughie of all people but both men itch to turn this peace an

introduction to probability and mathematical statistics lee j - Feb 08 2023

web the second edition of introduction to probability and mathematical statistics focuses on developing the skills to build probability stochastic models

probability statistic bain engelhardt - Dec 26 2021

web probabilistic method in mathematics the probabilistic method is a nonconstructive method primarily used in combinatorics and pioneered by paul erdős for proving the existence of

introduction to probability and mathematical statistics lee j - Aug 14 2023

web the second edition of introduction to probability and mathematical statistics focuses on developing the skills to build probability stochastic models

introduction to probability and mathematical - Apr 10 2023

web introduction to probability and mathematical statistics second edition lee j bain max engelhardt university of idaho duxbury press an imprint of

introduction to probability and mathematical statistics bain lee - Nov 05 2022

web download lee j bain and max engelhardt introduction to probability and mathematical statistics second edition type pdf txt date january 2020 size 192 7mb author

mikem5 5080 5090 solutions github - May 31 2022

web l j bain and m engelhardt introduction to probability and mathematical statistics g r grimmitt and d r strirzaker probability and random processes 2nd edition 3rd

introduction to probability and mathematical statistics - Dec 06 2022

web mar 17 2000 the second edition of introduction to probability and mathematical statistics focuses on developing the skills to build probability

introduction to probability and mathematical statistics - Mar 09 2023

web introduction to probability and mathematical statistics lee j bain max engelhardt google books well developed theoretical

introduction to probability and mathematical

[m2s1 probability and statistics ii course details](#) - Mar 29 2022

web probability theory is essential to many human activities that involve the quantitative analysis of large sets of data this fast paced course provides an understanding of

introduction to probability and mathematical statistics bain lee - Jul 13 2023

web introduction to probability and mathematical statistics by bain lee j 1939 publication date 1992 topics probabilities mathematical statistics publisher boston pws

access free bain engelhardt solutions introductory to - Sep 22 2021

[download lee j bain and max engelhardt introduction to](#) - Sep 03 2022

web king abdulaziz university faculty of sciences statistics department f t bain engelhardt introduction to probability and mathematical statistics duxbury press

f t bain engelhardt introduction to probability and - Jul 01 2022

web amazon com introduction to probability and mathematical statistics

amazon com introduction to probability and mathematical - Apr 29 2022

web the probability group at stanford is engaged in numerous research activities including problems from statistical mechanics analysis of markov chains mathematical finance

introduction to probability and mathematical - Oct 04 2022

web lee j bain and max engelhardt introduction to probability and mathematical statistics second edition click the start the download

probability statistc bain engelhardt - Aug 22 2021

[probability mathematics stanford university](#) - Feb 25 2022

web the soft documents of this probability statistc bain engelhardt by online you might not require more epoch to spend to go to the books initiation as well as search for them in

probability statistc bain engelhardt - Nov 24 2021

web sep 8 2023 engelhardt solutions introductory to probability is additionally useful you have remained in right site to begin getting this info acquire the bain engelhardt

lee j bain and max engelhardt introduction to probability and - Aug 02 2022

web this repository contains solutions to homework problems assigned in math 5080 5090 from the text bain and engelhardt

s introduction to probability and mathematical statistics

lee j bain and max engelhardt introduction to probability and - May 11 2023

web 93 45 26k views 660 pages lee j bain and max engelhardt introduction to probability and mathematical statistics second edition original title lee j bain and

introduction to probability and mathematical statistics semantic - Jun 12 2023

web inproceedings bain1987introductiontp title introduction to probability and mathematical statistics author lee j bain and max engelhardt year 1987

introduction to probability and mathematical statistics goodreads - Jan 07 2023

web introduction to probability and mathematical statistics by l j bain and m engelhardt isbn 087150067 1 pws kent boston 1990 566pp 16 95

probabilistic analysis course i stanford online - Jan 27 2022

web probability statistic bain engelhardt thank you very much for downloading probability statistic bain engelhardt maybe you have knowledge that people have look

probabilistic method wikipedia - Oct 24 2021

web we offer probability statistic bain engelhardt and numerous ebook collections from fictions to scientific research in any way along with them is this probability statistic