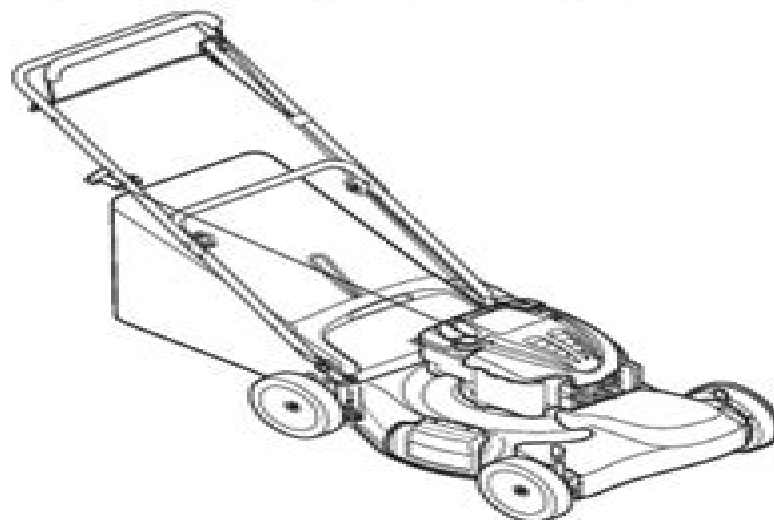




OPERATOR'S MANUAL



Self Propelled Mower — Model Series 460

 **WARNING**

READ AND FOLLOW ALL SAFETY RULES AND INSTRUCTIONS IN THIS MANUAL
BEFORE ATTEMPTING TO OPERATE THIS MACHINE.
FAILURE TO COMPLY WITH THESE INSTRUCTIONS MAY RESULT IN PERSONAL INJURY.

TROY-BILT LLC, P.O. BOX 361131 CLEVELAND, OHIO 44136-0019

Troy Bilt Self Propelled Mower Manual

Rachel Sandford



Troy Bilt Self Propelled Mower Manual

[fundamentals of motor vehicle technology 4th edition pdf](#) - May 05 2022

web fundamentals of motor vehicle technology 4th edition book review unveiling the magic of language in an electronic era where connections and knowledge reign supreme the enchanting power of language has be apparent than ever

fundamentals of motor vehicle technology 4th edition - Mar 15 2023

web jan 1 1992 fundamentals of motor vehicle technology 4th edition hillier v a 9780748705160 amazon com books buy used 40 56 free delivery january 18 february 2 details

[fundamentals of motor vehicle technology 4th edition](#) - Feb 14 2023

web buy fundamentals of motor vehicle technology 4th edition by hillier v a isbn 9780748705160 from amazon s book store everyday low prices and free delivery on eligible orders

[hillier s fundamentals of motor vehicle technology book 1](#) - Oct 10 2022

web buy hillier s fundamentals of motor vehicle technology book 1 6th revised edition by hillier v a w isbn 9781408515181 from amazon s book store everyday low prices and free delivery on eligible orders

fundamentals of motor vehicle technology amazon co uk - Jun 18 2023

web buy fundamentals of motor vehicle technology 4 by hillier v a w pittuck f w isbn 9780748705313 from amazon s book store everyday low prices and free delivery on eligible orders

fundamentals of motor vehicle technology goodreads - Dec 12 2022

web may 18 1981 47 ratings5 reviews covers the main syllabus requirements of btec and city and guilds qualifications and will also be useful for any course of a similar level contains clear illustrations throughout to support the text and aid the learning process written by prolific author vic hillier who was a leading authority in automobile

fundamentals of motor vehicle technology 4th edition harvard - Jun 06 2022

web international motor vehicle qualifications such as c g 3905 and ase certification in the usa fundamentals of motor vehicle technology victor albert walter hillier 1991 this is the fourth edition of a textbook which aims to cover the construction of motor vehicles and their components in a manner simple enough to be understood by young

fundamentals of motor vehicle technology 4th edition pdf - May 17 2023

web fundamentals of motor vehicle technology feb 24 2023 this is the fourth edition of a textbook which aims to cover the construction of motor vehicles and their components in a manner simple enough to be understood by young apprentices beginning their training

free fundamentals of motor vehicle technology 4th edition - Sep 09 2022

web fundamentals of motor vehicle technology 4th edition 4th international conference on vehicle and traffic systems
technology dec 27 2022 light and heavy vehicle technology aug 03 2023 light and heavy vehicle technology fourth edition
provides a complete text and reference to the design

paperback may 18 1981 amazon com - Mar 03 2022

web may 18 1981 fundamentals of motor vehicle technology paperback may 18 1981 by v a w hillier author f w pittuck
author h hillier author 0 more 4 5 4 5 out of 5 stars 58 ratings

fundamentals of motor vehicle technology 4th edition - Nov 11 2022

web automotive technology dec 25 2022 automotive technology principles diagnosis and service fourth edition meets the
needs for a comprehensive book that covers all eight areas of automotive service plus the soft skills and tool knowledge that
must also be taught because many automotive systems are intertwined presenting all

fundamentals of motor vehicle technology 4th edition book - Apr 04 2022

web fundamentals of motor vehicle technology 4th edition opinion people are waking up to the perils of modern automotive
the truth about cars 20 interactive coding toys to spark creativity in kids of all ages we are teachers share market highlights 28
july 2023 sensex nifty end flat after volatile session businessline

the fundamentals of motor vehicle technology 4th ed - Sep 21 2023

web the fundamentals of motor vehicle technology 4th ed the fundamentals of motor vehicle technology 4th ed by hillier
publication date 1990 topics motor vehicles publisher openlibrary edition ol9574220m page number confidence 97 69 pages
478 pdf module version

fundamentals of motor vehicle technology secondary oup - Jan 13 2023

web teacher notes worksheets and simple interactives all aspects of the vehicle chassis and body electrical systems excluding
the powertrain working upwards from the fundamental principles of electronics clear descriptions of the technology its
operation and application

fundamentals of motor vehicle technology 4th edition james - Jul 07 2022

web fundamentals of motor vehicle technology victor albert walter hillier 1972 01 01 fundamentals of motor vehicle
technology v a w hillier 2006 hillier s famous series of motor vehicle technology texts have been completely revised and
updated orbital mechanics for engineering students howard d curtis 2009 10 26

download free fundamentals of motor vehicle technology 4th edition - Aug 08 2022

web fundamentals of motor vehicle technology 4th edition motor vehicle technology part 2 jan 22 2022 fundamentals of
automotive and engine technology dec 01 2022 hybrid drives and the operation of hybrid vehicles are characteristic of

contemporary automotive technology together with the electronic driver

fundamentals of motor vehicle technology 4th edition - Apr 16 2023

web fundamentals of motor vehicle technology 4th edition by hillier v a isbn 10 0748705163 isbn 13 9780748705160 stanley thornes publs 1992 softcover fundamentals of motor vehicle technology 4th edition hillier v a 9780748705160

fundamentals of motor vehicle technology google books - Oct 22 2023

web this is the fourth edition of a textbook which aims to cover the construction of motor

hillier s fundamentals of motor vehicle technology pdf - Aug 20 2023

web apr 14 2020 preface since 1966 many thousands of motor vehicle traditional mechanical systems as well as the new technology students have relied on fundamentals of electronic systems motor vehicle technology to successfully complete their because the mechanical aspects of the motor vehicle studies

fundamentals of motor vehicle technology 4th edition 2023 - Jul 19 2023

web fundamentals of motor vehicle technology 4th edition driver s license actions manual jan 02 2021 final report of commission to study and revise the motor vehicle code mar 04 2021 the motor vehicle aug 09 2021 as a reference book it has to be classed as one of the best there should be a copy of it in every college library

[saraswati chandra novel english translation db csda org](#) - Mar 19 2022

web 4 saraswati chandra novel english translation 2023 03 21 creationist proofs for the existence of god utilizing distinctly hindu versions of the design argument after examining diverse elements of the hindu dharmic traditions that laid the groundwork for an ambivalent response to darwinism when it first became known in india the book

new saraswati house class 8 hindi textbook kopykitab - Feb 15 2022

web buy new saraswati house class 8 hindi textbook pdf for 2021 22 academic exams download 8th class hindi textbook by new saraswati house low prices with amazing offers

[saraswatichandra novel wikipedia](#) - Oct 06 2023

web the novel take place in two fictional towns suvarnapur and ratnanagari saraswatichandra the protagonist of the novel is a well educated young lawyer deeply interested in literature quite emotional and idealistic he has been engaged to marry kumudsundari daughter of vidyachatur a divan of ratnanagari a charming and

saraswatichandra film wikipedia - Aug 04 2023

web saraswatichandra is a black and white hindi film released in 1968 it starred nutan and manish among others and was directed by govind saraiya the film was based on saraswatichandra a gujarati novel by govardhanram madhavram tripathi set in 19th century feudalism in india

sarswatichandra part 1 gujarati novel 1887 edition pdf - Apr 19 2022

web view details request a review learn more

saraswatichandra book 1 hindi edition audible com - Sep 05 2023

web publisher s summary saraswatichandra is a gujarati novel by govardhanram madhavaram tripathi an author of early twentieth century from gujarat india set in 19th century india it is acclaimed as one of the masterpieces of gujarati literature this is the first part of a four part series of books

saraswati chandra novel hindi ead3 archivists org - Jun 21 2022

web saraswati chandra novel hindi saraswati chandra novel hindi 2 downloaded from ead3 archivists org on 2022 11 10 by guest growing up as writers the sources of their inspiration their art and their individual works indian literature 1990 manavini bhavai pannalal nanalal patel 1995 endurance a droll saga originally published in

saraswati chandra novel hindi orientation sutd edu sg - May 21 2022

web saraswati chandra novel hindi saraswatichandra online 1968 movie yidio june 6th 2018 saraswatichandra 1968 is a hindi movie based on the novel of the same name the title character is a young nobleman whose parents set up an arranged marriage between him and a girl from a rich family

i translated saraswatichandra because we have not done it for - Nov 26 2022

web oct 8 2015 the 1 700 page novel is known more for its love story between the protagonist saraswatichandra and kumud which fails to materialise culminating in his marriage to her younger sister kusum

saraswatichandra hindi novel ebook by govindram madhavrav - Jul 03 2023

web saraswatichandra hindi novel by govindram madhavrav tripathi synopsis

saraswatichandra tv series wikipedia - Jan 29 2023

web saraswatichandra is an indian hindi language musical romantic drama television series produced by sanjay leela bhansali written by saba mumtaz shruti vaidys utkarsh naithani ved raj and abhijit sinha and is based on govardhanram tripathi s 1887 1901 four volume novel of the same name

saraswatichandra wikipedia - Feb 27 2023

web saraswatichandra may refer to saraswatichandra novel a gujarati novel by govardhanram madhavram tripathi saraswatichandra film a 1968 hindi film based on the novel saraswatichandra tv series a 2013 hindi tv series based on the novel

saraswatichandra disney hotstar - Sep 24 2022

web in this classic tale of love and heartbreak saras and kumud are soulmates who are repeatedly denied the joy of being together will fate bring them together watch saraswatichandra hindi romance serial on disney hotstar now

1 by govardhanram madhavram tripathi goodreads - Dec 28 2022

web saraswatichandra is a gujarati novel by govardhanram madhavaram tripathi an author of early twentieth century from gujarat india set in 19th century feudalism in india it is a widely read piece of gujarati literature

[saraswatichandra watch episode 3 saraswatichandra reads a](#) - Jul 23 2022

web sep 17 2014 hindi starplus u a 13 kumud is bored sitting at her room vidyachatur gives her a few novels however saraswatichandra stops her from reading thrillers and asks her to read books about pregnancy he himself then reads a book on how to become the best father watchlist share kumud is bored sitting at her room

[saraswatichandra hindi book by goverdhan ram tripathi](#) - Jun 02 2023

web saraswatichandra goverdhan ram tripathi publisher sahyta academy language hindi length 406 pages

[saraswatichandra by govardhanram madhavram tripathi goodreads](#) - Mar 31 2023

web govardhanram madhavram tripathi 4 14 428 ratings37 reviews saraswatichandra is a gujarati novel by govardhanram madhavaram tripathi set in set in 19th century feudalism in india an author of early twentieth century from gujarat india it is a widely read piece of gujarati literature

[get the free saraswatichandra novel story in hindi pdf pdfiller](#) - Aug 24 2022

web get the free saraswatichandra novel story in hindi pdf get form show details fill form try risk free form popularity get create make and sign get form esign fax email add annotation share this is how it works edit

[saraswatichandra an english retelling of an indian classic](#) - Oct 26 2022

web buy saraswatichandra an english retelling of an indian classic book online at low prices in india saraswatichandra an english retelling of an indian classic reviews ratings amazon in books historical fiction buy new 946 44 inclusive of all taxes free delivery friday 14 july order within 8 hrs 13 mins details

[hindi sahyta saraswatichandra hindi novel](#) - May 01 2023

web hindi sahyta saraswatichandra hindi novel ebook written by govindram madhavrav tripathi read this book using google play books app on your pc android ios devices

[where to get an affidavit u s embassy consulates in türkiye](#) - Sep 03 2022

web where can i get the affidavit of eligibility to marry if you are willing to get married in turkey you first need to fill out the affidavit of eligibility to marry form pdf 195 kb and

[affidavit of eligibility to marry u s embassy consulates in](#) - Jul 01 2022

web oct 7 2022 home news events affidavit of eligibility to marry the government of turkiye requires the following information on affidavits of eligibility to marry which you

[energy assistance program eap landlord affidavit](#) - Apr 10 2023

web please complete this affidavit on behalf of your resident who is applying to receive benefits to assist with his her utility costs the information provided is confidential and will not be

indiana low income home energy assistance program intake - Dec 06 2022

web liheap low income home energy assistance program lla landlord affidavit lp liquid propane lsp local service provider moa memorandum of agreement oucc

energy assistance program eap landlord affidavit - Oct 24 2021

web oct 8 2021 energy assistance program eap landlord affidavit landlord please complete this affidavit on behalf of your resident who is applying to

energy assistance program eap landlord affidavit - May 31 2022

web landlord please complete this affidavit on behalf of your resident who is applying to receive benefits to assist with their utility costs the information provided is confidential

energy assistance program eap landlord - Aug 14 2023

web landlord please complete this affidavit on behalf of your resident who is applying to receive benefits to assist with his her utility costs the information provided is confidential and will not be shared with any other organization or government agency complete in

energy assistance program eap landlord affidavit - Feb 25 2022

web landlord affidavit landlord please complete this affidavit on behalf of your resident who is applying to receive benefits to assist with their utility costs the

istanbul marriage affidavit form u s embassy consulates in - Aug 02 2022

web jun 17 2016 u s citizens with emergencies please call 90 312 294 0000 outside of office hours contact 90 312 294 0000 outside of türkiye 90 312 294 0000

energy assistance program eap - Feb 08 2023

web energy assistance program eap landlord housing affidavit indyeap get the up to date energy assistance program eap landlord housing

energy assistance program eap landlord - Nov 24 2021

web landlord please complete this affidavit on behalf of your resident who is applying to receive benefits to assist with his her utility costs the information provided is

in ihcda energy assistance program landlord affidavit 2016 - Jan 07 2023

web complete in ihcda energy assistance program landlord affidavit 2016 2023 online with us legal forms easily fill out pdf blank edit and sign them save or instantly

energy assistance program landlord affidavit - Mar 09 2023

web revised 08 2011 this form is mandated by indiana housing and community development authority if a copy of a written lease agreement is not available failure to sign this form

energy assistance program eap landlord affidavit - May 11 2023

web energy assistance program eap landlord affidavit landlord please complete this affidavit on behalf of your resident who is applying to receive benefits to

energy assistance program eap landlord affidavit - Jan 27 2022

web landlord please complete this affidavit on behalf of your resident who is applying to receive benefits to assist with his her utility costs the information provided is

energy assistance program eap landlord affidavit - Jun 12 2023

web energy assistance program eap landlord affidavit landlord please complete this affidavit on behalf of your resident who is applying to receive benefits to

energy assistance program eap landlord affidavit - Apr 29 2022

web energy assistance program eap landlord affidavit landlord please complete this affidavit on behalf of your resident who is applying to receive benefits to

energy assistance program eap landlord affidavit - Dec 26 2021

web energy assistance program eap landlord affidavit landlord please complete this affidavit on behalf of your resident who is applying to receive benefits to assist

energy assistance program eap landlord - Mar 29 2022

web sep 8 2020 energy assistance program eap landlord affidavit landlord please complete this affidavit on behalf of your resident who is applying to

türkiye financial assistance under ipa - Oct 04 2022

web indicative eu allocations for ipa 2014 2020 3 533 million not including the allocation for cross border cooperation the priority sectors for funding in this period are

energy assistance program eap landlord - Jul 13 2023

web aug 18 2021 landlord please complete this affidavit on behalf of your resident who is applying to receive benefits to assist with his her utility costs the information provided is

enerjisa İstanbul anadolu yakası elektrik perakende satış a.Ş. - Nov 05 2022

web bu sayfada yer alan hizmetler enerjisa İstanbul anadolu yakası elektrik perakende satış a.Ş. tarafından e devlet kapısı altyapısı üzerinden sunulmaktadır

Yeah, reviewing a book **Troy Bilt Self Propelled Mower Manual** could add your near connections listings. This is just one of the solutions for you to be successful. As understood, expertise does not recommend that you have fabulous points.

Comprehending as skillfully as accord even more than other will offer each success. next to, the declaration as competently as acuteness of this Troy Bilt Self Propelled Mower Manual can be taken as capably as picked to act.

https://offsite.creighton.edu/files/virtual-library/Documents/hunting_adeline_online.pdf

https://offsite.creighton.edu/files/virtual-library/Documents/how_was_ed_kemper_caught.pdf

https://offsite.creighton.edu/files/virtual-library/Documents/i_want_to_be_an_army_ranger.pdf

Table of Contents Troy Bilt Self Propelled Mower Manual

1. Understanding the eBook Troy Bilt Self Propelled Mower Manual
 - The Rise of Digital Reading Troy Bilt Self Propelled Mower Manual
 - Advantages of eBooks Over Traditional Books
2. Identifying Troy Bilt Self Propelled Mower Manual
 - Exploring Different Genres
 - Considering Fiction vs. Non-Fiction
 - Determining Your Reading Goals
3. Choosing the Right eBook Platform
 - Popular eBook Platforms
 - Features to Look for in an Troy Bilt Self Propelled Mower Manual
 - User-Friendly Interface
4. Exploring eBook Recommendations from Troy Bilt Self Propelled Mower Manual

- Personalized Recommendations
 - Troy Bilt Self Propelled Mower Manual User Reviews and Ratings
 - Troy Bilt Self Propelled Mower Manual and Bestseller Lists
5. Accessing Troy Bilt Self Propelled Mower Manual Free and Paid eBooks
 - Troy Bilt Self Propelled Mower Manual Public Domain eBooks
 - Troy Bilt Self Propelled Mower Manual eBook Subscription Services
 - Troy Bilt Self Propelled Mower Manual Budget-Friendly Options
 6. Navigating Troy Bilt Self Propelled Mower Manual eBook Formats
 - ePub, PDF, MOBI, and More
 - Troy Bilt Self Propelled Mower Manual Compatibility with Devices
 - Troy Bilt Self Propelled Mower Manual Enhanced eBook Features
 7. Enhancing Your Reading Experience
 - Adjustable Fonts and Text Sizes of Troy Bilt Self Propelled Mower Manual
 - Highlighting and Note-Taking Troy Bilt Self Propelled Mower Manual
 - Interactive Elements Troy Bilt Self Propelled Mower Manual
 8. Staying Engaged with Troy Bilt Self Propelled Mower Manual
 - Joining Online Reading Communities
 - Participating in Virtual Book Clubs
 - Following Authors and Publishers Troy Bilt Self Propelled Mower Manual
 9. Balancing eBooks and Physical Books Troy Bilt Self Propelled Mower Manual
 - Benefits of a Digital Library
 - Creating a Diverse Reading Collection Troy Bilt Self Propelled Mower Manual
 10. Overcoming Reading Challenges
 - Dealing with Digital Eye Strain
 - Minimizing Distractions
 - Managing Screen Time
 11. Cultivating a Reading Routine Troy Bilt Self Propelled Mower Manual
 - Setting Reading Goals Troy Bilt Self Propelled Mower Manual
 - Carving Out Dedicated Reading Time
 12. Sourcing Reliable Information of Troy Bilt Self Propelled Mower Manual

- Fact-Checking eBook Content of Troy Bilt Self Propelled Mower Manual
 - Distinguishing Credible Sources
13. Promoting Lifelong Learning
- Utilizing eBooks for Skill Development
 - Exploring Educational eBooks
14. Embracing eBook Trends
- Integration of Multimedia Elements
 - Interactive and Gamified eBooks

Troy Bilt Self Propelled Mower Manual Introduction

In this digital age, the convenience of accessing information at our fingertips has become a necessity. Whether its research papers, eBooks, or user manuals, PDF files have become the preferred format for sharing and reading documents. However, the cost associated with purchasing PDF files can sometimes be a barrier for many individuals and organizations. Thankfully, there are numerous websites and platforms that allow users to download free PDF files legally. In this article, we will explore some of the best platforms to download free PDFs. One of the most popular platforms to download free PDF files is Project Gutenberg. This online library offers over 60,000 free eBooks that are in the public domain. From classic literature to historical documents, Project Gutenberg provides a wide range of PDF files that can be downloaded and enjoyed on various devices. The website is user-friendly and allows users to search for specific titles or browse through different categories. Another reliable platform for downloading Troy Bilt Self Propelled Mower Manual free PDF files is Open Library. With its vast collection of over 1 million eBooks, Open Library has something for every reader. The website offers a seamless experience by providing options to borrow or download PDF files. Users simply need to create a free account to access this treasure trove of knowledge. Open Library also allows users to contribute by uploading and sharing their own PDF files, making it a collaborative platform for book enthusiasts. For those interested in academic resources, there are websites dedicated to providing free PDFs of research papers and scientific articles. One such website is Academia.edu, which allows researchers and scholars to share their work with a global audience. Users can download PDF files of research papers, theses, and dissertations covering a wide range of subjects. Academia.edu also provides a platform for discussions and networking within the academic community. When it comes to downloading Troy Bilt Self Propelled Mower Manual free PDF files of magazines, brochures, and catalogs, Issuu is a popular choice. This digital publishing platform hosts a vast collection of publications from around the world. Users can search for specific titles or explore various categories and genres. Issuu offers a seamless reading experience with its user-friendly interface and allows users to download PDF files for offline

reading. Apart from dedicated platforms, search engines also play a crucial role in finding free PDF files. Google, for instance, has an advanced search feature that allows users to filter results by file type. By specifying the file type as "PDF," users can find websites that offer free PDF downloads on a specific topic. While downloading Troy Bilt Self Propelled Mower Manual free PDF files is convenient, it's important to note that copyright laws must be respected. Always ensure that the PDF files you download are legally available for free. Many authors and publishers voluntarily provide free PDF versions of their work, but it's essential to be cautious and verify the authenticity of the source before downloading Troy Bilt Self Propelled Mower Manual. In conclusion, the internet offers numerous platforms and websites that allow users to download free PDF files legally. Whether it's classic literature, research papers, or magazines, there is something for everyone. The platforms mentioned in this article, such as Project Gutenberg, Open Library, Academia.edu, and Issuu, provide access to a vast collection of PDF files. However, users should always be cautious and verify the legality of the source before downloading Troy Bilt Self Propelled Mower Manual any PDF files. With these platforms, the world of PDF downloads is just a click away.

FAQs About Troy Bilt Self Propelled Mower Manual Books

How do I know which eBook platform is the best for me? Finding the best eBook platform depends on your reading preferences and device compatibility. Research different platforms, read user reviews, and explore their features before making a choice. Are free eBooks of good quality? Yes, many reputable platforms offer high-quality free eBooks, including classics and public domain works. However, make sure to verify the source to ensure the eBook credibility. Can I read eBooks without an eReader? Absolutely! Most eBook platforms offer web-based readers or mobile apps that allow you to read eBooks on your computer, tablet, or smartphone. How do I avoid digital eye strain while reading eBooks? To prevent digital eye strain, take regular breaks, adjust the font size and background color, and ensure proper lighting while reading eBooks. What the advantage of interactive eBooks? Interactive eBooks incorporate multimedia elements, quizzes, and activities, enhancing the reader engagement and providing a more immersive learning experience. Troy Bilt Self Propelled Mower Manual is one of the best book in our library for free trial. We provide copy of Troy Bilt Self Propelled Mower Manual in digital format, so the resources that you find are reliable. There are also many Ebooks of related with Troy Bilt Self Propelled Mower Manual. Where to download Troy Bilt Self Propelled Mower Manual online for free? Are you looking for Troy Bilt Self Propelled Mower Manual PDF? This is definitely going to save you time and cash in something you should think about.

Find Troy Bilt Self Propelled Mower Manual :

hunting adeline online

how was ed kemper caught

~~i want to be an army ranger~~

how to write a letter to hr about unfair treatment

~~ied 10 certification for nurses~~

human bone identification

i'm not pocoyo

hspt practice test pdf 2022

~~illustration of animal cell~~

i will teach you to be rich journal pdf

how to write a corporate resolution

i 864 instructions pdf

iceberg slim book

iliad by robert fagles

il codice civile

Troy Bilt Self Propelled Mower Manual :