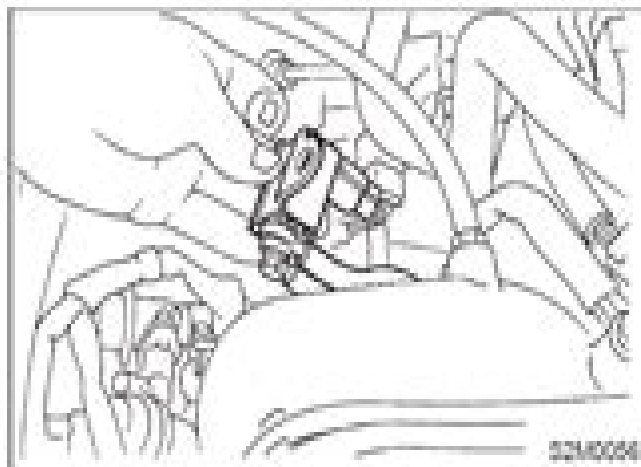


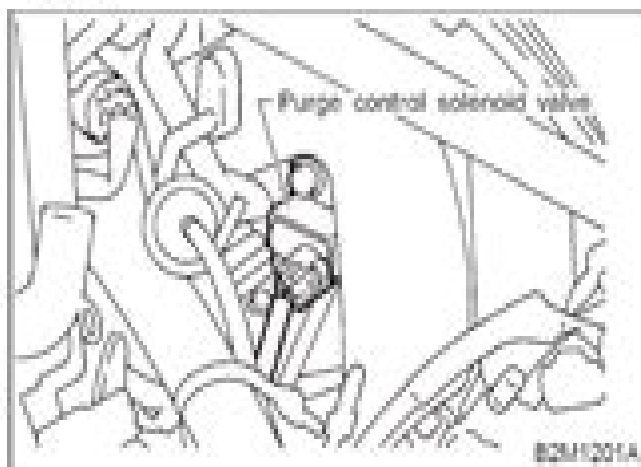
SOLENOID VALVE



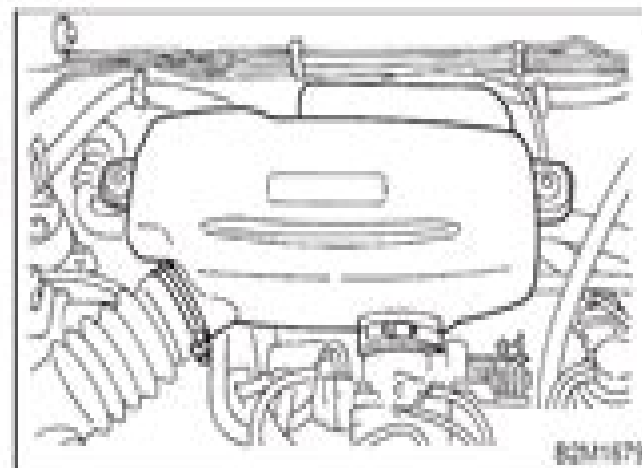
7) Installation is in the reverse order of removal.

Tightening torque:

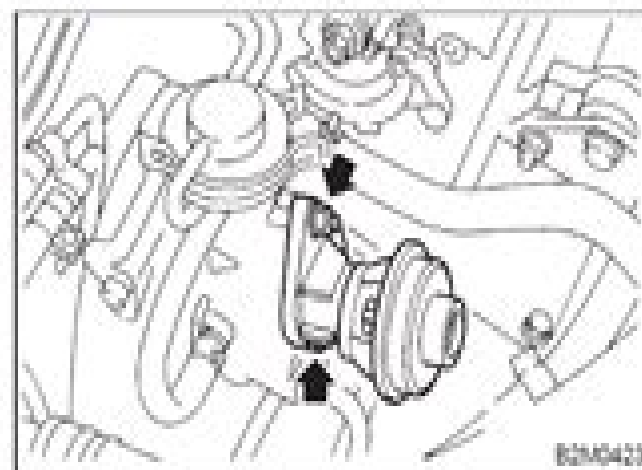
$15.7 \pm 1.5 \text{ N}\cdot\text{m}$ ($1.6 \pm 0.15 \text{ kg}\cdot\text{m}$, $11.6 \pm 1.1 \text{ ft}\cdot\text{lb}$)



1) Remove air intake chamber.



- 2) Disconnect vacuum hose from EGR valve.
- 3) Remove bolts which install EGR valve onto intake manifold.



1998 Subaru Legacy Outback Factory Service Manual

Bentley Publishers



1998 Subaru Legacy Outback Factory Service Manual

VW Golf, GTI, Jetta and Cabrio, 1999 Thru 2002 Jay Storer, John H. Haynes, Haynes Manuals, 2003 Models covered VW Golf GTI Jetta and Cabrio 1999 through 2002

Profit Wise Jeff Morrill, 2021-02-28 Do the Right Thing Grow Your Business Profit Wisely Using the principles in this book Jeff Morrill built businesses from scratch in automotive retail real estate telecommunications and insurance that generate over 100 000 000 in annual revenue His achievements in building flourishing ethical companies have been featured in a variety of national media including USA Today Entrepreneur Magazine Automotive News The Boston Globe and others That s because Jeff knows the secrets to building highly profitable businesses how to create systems and procedures that produce profits automatically by focusing on doing the right thing every time For the first time Jeff shares all of those secrets in one place You really can outsell your competitors without selling out your integrity Contrary to popular belief taking the high road really is the straightest path to the bottom line You ll learn how to earn more profits consistently in business while staying true to your values

Confessions of an Economic Hit Man John Perkins, 2004-11-09 Perkins a former chief economist at a Boston strategic consulting firm confesses he was an economic hit man for 10 years helping U S intelligence agencies and multinationals cajole and blackmail foreign leaders into serving U S foreign policy and awarding lucrative contracts to American business

The Rainbow Carly Schabowski, 2021-07-28 There on the dusty floorboards was a piece of paper folded neatly A newspaper article written in German alongside a faded picture of two men in Nazi uniforms staring at the camera I was about to place it back in the box of forgotten things when something in the text jumped out at me My breath caught in my chest I know that name London present day Isla has grown up hearing her beloved grandad s stories about his life as a child in pre war Poland and as a young soldier bravely fighting the Germans to protect his people So she is shocked and heartbroken to find while collecting photos for his 95th birthday celebration a picture of her dear grandfather wearing a Nazi uniform Is everything she thought she knew about him a lie Unable to question him due to his advanced dementia Isla wraps herself in her rainbow coloured scarf a memento of his from the war and begins to hunt for the truth behind the photograph What she uncovers is more shocking than she could have ever anticipated a tale of childhood sweethearts torn apart by family duty and how one young man risked his life his love and the respect of his own people to secretly fight for justice from inside the heart of the enemy itself An heartbreaking novel of love betrayal and a secret passed down through a family Inspired by an incredible true story Perfect for fans of The Tattooist of Auschwitz We Were the Lucky Ones and The Alice Network Readers absolutely love The Rainbow Oh my gosh this book broke me it will stay with me for a very long time heart breaking poignant gripping and compelling I felt every emotion I read this book in one sitting Fiction Vixen Reads Will rip your heart out It has heartache pain loss joy and sorrow It s a great WWII historical fiction heartbreaking Books Read By Prairie Girl

Subaru Legacy & Forester 2000 Through 2006 Haynes

Editorial Staff, Robert Maddox, John Harold Haynes, 2007-02-01 Haynes manuals are written specifically for the do it yourselfer yet are complete enough to be used by professional mechanics Since 1960 Haynes has produced manuals written from hands on experience based on a vehicle teardown with hundreds of photos and illustrations making Haynes the world leader in automotive repair information *Honda 1800 Gold Wing 2001-2010* Penton Staff, 2000-05-24 Honda 1800 Gold Wing 2001 2010 **Consumer Action Handbook, 2010 Edition** U.S. Services Administration, 2010 Use this guide to get help with consumer purchases problems and complaints Find consumer contacts at hundreds of companies and trade associations local state and federal government agencies national consumer organizations and more Subaru Automotive Repair Manual Larry Holt, John Harold Haynes, 1990 Covers Subaru 2WD and 4WD sedan hatchback station wagon XT and Brat pick up 1980 thru 1989 With step by step procedures **BMW 5 Series (E39) Service Manual** Bentley Publishers, 2003 The ultimate service manuals Bentley manuals are the only comprehensive single source of service information and specifications available for BMW cars These manuals provide the highest level of clarity and completeness for all service and repair procedures Enthusiasts do it yourselfers and professional technicians will appreciate the quality of photographs and illustrations theory of operation and accurate step by step instructions If you are looking for better understanding of your BMW look no further than Bentley Even if you do not repair your own vehicle knowledge of its internal workings will help you when discussing repairs and maintenance with your professional automotive technician This Bentley Manual is the only comprehensive single source of service information and specifications available specifically for BMW 5 Series from 1997 to 2002 The aim throughout this manual has been simplicity clarity and completeness with practical explanations step by step procedures and accurate specifications Whether you are a professional or a do it yourself BMW owner this manual will help you understand care for and repair your E39 5 Series Though the do it yourself BMW owner will find this manual indispensable as a source of detailed maintenance and repair information the BMW owner who has no intention of working on his or her car will find that reading and owning this manual will make it possible to discuss repairs more intelligently with a professional technician *Core Concepts of Marketing* John J. Burnett, 2003-06-12 Core Concepts of Marketing is a brief paperback introduction to marketing principles that leads students to the marketing strategies and tools that practitioners use to market their products It emphasizes how the various marketing areas work together to create a cohesive strategy Entrepreneurial Small Business Jerry Katz, 2008-01-01 Entrepreneurial Small Business ESB provides students with a clear vision of small business as it really is today Katz focuses on the distinctive nature of small businesses that students might actually start versus high growth firms The goal of the companies described in this textbook is personal independence with financial security not market dominance with extreme wealth Traditional beliefs and models in small business are discussed as well as the latest findings and best practices from academic and consulting arenas Katz and Green recognize the distinction between entrepreneurs who aim to start the successor to Amazon com or the pizza place around the

corner They discuss the challenges facing entrepreneurs while keeping focused on the small businesses students plan to start

How to Survive The End Of The World As We Know It James Wesley, Rawles,2010-01-07 WOULD YOU SURVIVE THE APOCALYPSE INTRODUCING THE DEFINITIVE GUIDE FOR PREPPERS AND SURVIVALISTS Save those wine corks Burned cork makes quick and cheap face camouflage Financial crash Terrorist attack Flu pandemic Just ONE unthinkable event could disrupt our way of life and force us to fend for ourselves Where would you get water How would you communicate What would you use for fuel Survivalist expert and former US Army Intelligence officer James Wesley Rawles shares the essential tools and skills you will need to survive SURVIVAL Know what to do should the worst happen FOOD AND WATER Store food rear animals and find drinkable water SHELTER Discover how to find and build yourself a retreat HEALTH SAFETY Learn how to perform minor surgeries and defend yourself COMMUNICATIONS The best ways to stay in touch with loved ones How to Survive the End of the World As We Know it is a MUST HAVE for these unsettling times *Contemporary Management* Dianne Waddell,2013 This unique text follows a nonprescriptive real world approach to management and is written in an accessible style allowing for flexibility in both teaching and learning Used at both an undergraduate and postgraduate level Contemporary Management has a concise structure designed to meet the needs of trimesters and 12 week teaching schedules The uncluttered internal design alongside the modern treatment of the topic makes this text significantly different to other texts in the market It offers updated content to reflect the impact of the GFC and the increasing significance of diversity culture and ethics There are all new in chapter case studies new Australian videos and a full range of excellent online resources Also this edition includes a new end of book section containing two unique integrated case studies exploring tourism management in Australian tourism destinations Skyrail in Cairns and Flinders Island Tasmania Publisher

Toyota Landcruiser Repair Manual ,2012-01-01 Series 78 79 100 105 6 8 cylinder engines with 4 5L 4 7L petrol and 4 2L diesel *Management* Thomas S. Bateman,Scott A. Snell,2007 This text discusses and explains the traditional functional approach to management through planning organising leading and controlling **Autocar** ,2000 **The National Rural Letter Carrier** ,2009 *Backpacker* ,2001-03 Backpacker brings the outdoors straight to the reader s doorstep inspiring and enabling them to go more places and enjoy nature more often The authority on active adventure Backpacker is the world s first GPS enabled magazine and the only magazine whose editors personally test the hiking trails camping gear and survival tips they publish Backpacker s Editors Choice Awards an industry honor recognizing design feature and product innovation has become the gold standard against which all other outdoor industry awards are measured **Subaru Legacy 1990 thru 1999** Ken Freund,2007-05-01 Haynes offers the best coverage for cars trucks vans SUVs and motorcycles on the market today Each manual contains easy to follow step by step instructions linked to hundreds of photographs and illustrations Included in every manual troubleshooting section to help identify specific problems tips that give valuable short cuts to make the job easier and eliminate the need for special tools notes cautions and warnings for the home mechanic color spark plug

diagnosis and an easy to use index **Backpacker** ,2000-03 Backpacker brings the outdoors straight to the reader s doorstep inspiring and enabling them to go more places and enjoy nature more often The authority on active adventure Backpacker is the world s first GPS enabled magazine and the only magazine whose editors personally test the hiking trails camping gear and survival tips they publish Backpacker s Editors Choice Awards an industry honor recognizing design feature and product innovation has become the gold standard against which all other outdoor industry awards are measured

Cengage Advantage Books: American Government and ... New features, up-to-date political news and analysis, and a great price make AMERICAN GOVERNMENT AND POLITICS TODAY: BRIEF EDITION, 2014-2015 a top seller. BUNDLE (2) AMERICAN GOVERNMENT AND POLITICS ... New features, up-to-date political news and analysis, and a great price make AMERICAN GOVERNMENT AND POLITICS TODAY: BRIEF EDITION, 2014-2015 a top seller. American Government and Politics Today, Brief Edition, ... Praised for its balanced coverage, the book examines all the key concepts of American government, while providing exciting student-oriented features that focus ... American Government and Politics Today, 2014-2015 - ... New features, up-to-date political news and analysis, and a great price make AMERICAN GOVERNMENT AND POLITICS TODAY: BRIEF EDITION, 2014-2015 a top seller. American Government and Politics Today, Brief Edition ... American Government and Politics Today 2014-2015 Brief Edition Steffen W. Schmidt Iowa State University Mack C. Shelley II Iowa ... 9781285436388_00a_fm_0i ... American Government and Politics Today, Brief Edition ... American Government and Politics Today, Brief Edition, 2014-2015. Condition is "Good". Shipped with USPS Priority Mail. Final sale. American Government and Politics Today, Brief Edition ... Cengage Advantage Books: American Government and Politics Today, Brief Edition, 2014-2015 ebook (1 Year Access) Steffen W Schmidt | Get Textbooks American Government and Politics Today, Brief Edition, 2014-2015 (Book Only) ... American Government and Politics Today, Brief Edition, 2012-2013 by Steffen W ... Cengage Advantage Books: American Government and ... New features, up-to-date political news and analysis, and a great price make AMERICAN GOVERNMENT AND POLITICS TODAY: BRIEF EDITION, 2014-2015 a top seller. Cengage Advantage Books: American Government and ... Cengage Advantage Books: American Government and Politics Today, Brief Edition, 2014-2015 (with CourseMate Printed Access Card). by Schmidt, Steffen W., ... Solutions manual for statistics for engineers and scientists ... May 25, 2018 — Solutions Manual for Statistics for Engineers and Scientists 4th Edition by William Navidi Full download: ... (PDF) Solutions Manual to accompany STATISTICS FOR ... Solutions Manual to accompany STATISTICS FOR ENGINEERS AND SCIENTISTS by William Navidi Table of Contents Chapter 1 (c) Answers will vary. 5. (a) N 0 27 0 ... (PDF) Solutions Manual to accompany STATISTICS FOR ... Solutions Manual to accompany STATISTICS FOR ENGINEERS AND SCIENTISTS Fourth Edition. by Meghan Cottam. See Full PDF Statistics for Engineers and Scientists Solutions Manual william-navidi-solutions-manual/ Solutions Manual to accompany. STATISTICS FOR ENGINEERS AND

SCIENTISTS, 4th ed. Prepared by. William Navidi PROPRIETARY AND ... Statistics For Engineers And Scientists Solution Manual Textbook Solutions for Statistics for Engineers and Scientists. by. 5th Edition. Author: William Cyrus Navidi, William Navidi. 1288 solutions available. William Navidi Solutions Books by William Navidi with Solutions ; Student Solution Manual for Essential Statistics 2nd Edition 0 Problems solved, Barry Monk, William Navidi. Navidi 2 Solutions Manual solutions manual to accompany statistics for engineers and scientists william navidi table of contents chapter chapter 13 chapter 53 chapter 72 chapter 115. (PDF) Statistics for Engineers and Scientists- Student Solution ... Solutions Manual to accompany STATISTICS FOR ENGINEERS AND SCIENTISTS Third Edition by William Navidi Table of Contents Chapter 1 . Solutions Manual for Statistics for Engineers and Scientists Solutions Manual for Statistics for Engineers and Scientists, William Navidi, 6th Edition , ISBN-13: 9781266672910 ISBN-10: 1266672915. Instructor solutions manual pdf - NewCelica.org Forum The Instructor Solutions manual is available in PDF format for the following textbooks. The Solutions Manual includes full solutions to all problems and ... Kenda Finch - Gizmos Paramecium Homeostasis Virtual ... On Studocu you find all the lecture notes, summaries and study guides you need to pass your exams with better grades. Paramecium Homeostasis SE - Name This the answer key for the gizmo. Subject. Biology. 999+ Documents. Students shared ... diffusion across a semipermeable membrane virtual lab. Related documents. Paramecium Homeostasis Virtual Lab Explore paramecium homeostasis with ExploreLearning Gizmos. Students discover how these microorganisms maintain stability in their aquatic world and more! Paramecium Virtual Lab.pdf - Virtual Lab: Population... View Lab - Paramecium Virtual Lab.pdf from BIOL 100 at Truman State University. Virtual Lab: Population Biology How to get there: (www.boil.co.paramec1). Virtual Lab Answer Key.doc - Virtual Lab: Population... This experiment is to observe the competition between the growth of Paramecium Aurelia and paramecium caudatum . This experiment will determine the number of ... Paramecium lab Handout to go with a virtual lab about paramecium growth. The objectives of this virtual lab are: Demonstrate how competition for ... Population Biology Purpose In this investigation you will conduct an experiment and grow two species of the protozoan Paramecium, alone and together. Paramecium lab Population Growth & Competition Paramecium digital virtual interactive lab · Get it Down To a Science · Biology, Earth Sciences, Science. Paramecium Competition Simulation Full | PDF | Ecology Virtual Lab: Population Biology - Competition between. Paramecium sp 1. Open the Virtual Lab entitled "Population Biology":

This is likewise one of the factors by obtaining the soft documents of this **1998 Subaru Legacy Outback Factory Service Manual** by online. You might not require more times to spend to go to the ebook initiation as capably as search for them. In some cases, you likewise attain not discover the message 1998 Subaru Legacy Outback Factory Service Manual that you are looking for. It will no question squander the time.

However below, similar to you visit this web page, it will be suitably agreed simple to acquire as without difficulty as download guide 1998 Subaru Legacy Outback Factory Service Manual

It will not consent many get older as we accustom before. You can reach it while perform something else at house and even in your workplace. correspondingly easy! So, are you question? Just exercise just what we give under as competently as review **1998 Subaru Legacy Outback Factory Service Manual** what you similar to to read!

https://offsite.creighton.edu/files/virtual-library/Documents/how_to_handle_divorce_as_a_man.pdf

https://offsite.creighton.edu/files/virtual-library/Documents/how_to_find_moles_of_unknown_solute.pdf

https://offsite.creighton.edu/files/virtual-library/Documents/how_to_draw_malala_easy.pdf

Table of Contents 1998 Subaru Legacy Outback Factory Service Manual

1. Understanding the eBook 1998 Subaru Legacy Outback Factory Service Manual
 - The Rise of Digital Reading 1998 Subaru Legacy Outback Factory Service Manual
 - Advantages of eBooks Over Traditional Books
2. Identifying 1998 Subaru Legacy Outback Factory Service Manual
 - Exploring Different Genres
 - Considering Fiction vs. Non-Fiction

- Determining Your Reading Goals
- 3. Choosing the Right eBook Platform
 - Popular eBook Platforms
 - Features to Look for in an 1998 Subaru Legacy Outback Factory Service Manual
 - User-Friendly Interface
- 4. Exploring eBook Recommendations from 1998 Subaru Legacy Outback Factory Service Manual
 - Personalized Recommendations
 - 1998 Subaru Legacy Outback Factory Service Manual User Reviews and Ratings
 - 1998 Subaru Legacy Outback Factory Service Manual and Bestseller Lists
- 5. Accessing 1998 Subaru Legacy Outback Factory Service Manual Free and Paid eBooks
 - 1998 Subaru Legacy Outback Factory Service Manual Public Domain eBooks
 - 1998 Subaru Legacy Outback Factory Service Manual eBook Subscription Services
 - 1998 Subaru Legacy Outback Factory Service Manual Budget-Friendly Options
- 6. Navigating 1998 Subaru Legacy Outback Factory Service Manual eBook Formats
 - ePub, PDF, MOBI, and More
 - 1998 Subaru Legacy Outback Factory Service Manual Compatibility with Devices
 - 1998 Subaru Legacy Outback Factory Service Manual Enhanced eBook Features
- 7. Enhancing Your Reading Experience
 - Adjustable Fonts and Text Sizes of 1998 Subaru Legacy Outback Factory Service Manual
 - Highlighting and Note-Taking 1998 Subaru Legacy Outback Factory Service Manual
 - Interactive Elements 1998 Subaru Legacy Outback Factory Service Manual
- 8. Staying Engaged with 1998 Subaru Legacy Outback Factory Service Manual
 - Joining Online Reading Communities
 - Participating in Virtual Book Clubs
 - Following Authors and Publishers 1998 Subaru Legacy Outback Factory Service Manual
- 9. Balancing eBooks and Physical Books 1998 Subaru Legacy Outback Factory Service Manual
 - Benefits of a Digital Library
 - Creating a Diverse Reading Collection 1998 Subaru Legacy Outback Factory Service Manual
- 10. Overcoming Reading Challenges
 - Dealing with Digital Eye Strain

- Minimizing Distractions
- Managing Screen Time
- 11. Cultivating a Reading Routine 1998 Subaru Legacy Outback Factory Service Manual
 - Setting Reading Goals 1998 Subaru Legacy Outback Factory Service Manual
 - Carving Out Dedicated Reading Time
- 12. Sourcing Reliable Information of 1998 Subaru Legacy Outback Factory Service Manual
 - Fact-Checking eBook Content of 1998 Subaru Legacy Outback Factory Service Manual
 - Distinguishing Credible Sources
- 13. Promoting Lifelong Learning
 - Utilizing eBooks for Skill Development
 - Exploring Educational eBooks
- 14. Embracing eBook Trends
 - Integration of Multimedia Elements
 - Interactive and Gamified eBooks

1998 Subaru Legacy Outback Factory Service Manual Introduction

In the digital age, access to information has become easier than ever before. The ability to download 1998 Subaru Legacy Outback Factory Service Manual has revolutionized the way we consume written content. Whether you are a student looking for course material, an avid reader searching for your next favorite book, or a professional seeking research papers, the option to download 1998 Subaru Legacy Outback Factory Service Manual has opened up a world of possibilities.

Downloading 1998 Subaru Legacy Outback Factory Service Manual provides numerous advantages over physical copies of books and documents. Firstly, it is incredibly convenient. Gone are the days of carrying around heavy textbooks or bulky folders filled with papers. With the click of a button, you can gain immediate access to valuable resources on any device. This convenience allows for efficient studying, researching, and reading on the go. Moreover, the cost-effective nature of downloading 1998 Subaru Legacy Outback Factory Service Manual has democratized knowledge. Traditional books and academic journals can be expensive, making it difficult for individuals with limited financial resources to access information. By offering free PDF downloads, publishers and authors are enabling a wider audience to benefit from their work. This inclusivity promotes equal opportunities for learning and personal growth. There are numerous websites and platforms where individuals can download 1998 Subaru Legacy Outback Factory Service Manual. These websites range from academic databases offering research papers and journals to online libraries with an expansive collection of books from various genres.

Many authors and publishers also upload their work to specific websites, granting readers access to their content without any charge. These platforms not only provide access to existing literature but also serve as an excellent platform for undiscovered authors to share their work with the world. However, it is essential to be cautious while downloading 1998 Subaru Legacy Outback Factory Service Manual. Some websites may offer pirated or illegally obtained copies of copyrighted material. Engaging in such activities not only violates copyright laws but also undermines the efforts of authors, publishers, and researchers. To ensure ethical downloading, it is advisable to utilize reputable websites that prioritize the legal distribution of content. When downloading 1998 Subaru Legacy Outback Factory Service Manual, users should also consider the potential security risks associated with online platforms. Malicious actors may exploit vulnerabilities in unprotected websites to distribute malware or steal personal information. To protect themselves, individuals should ensure their devices have reliable antivirus software installed and validate the legitimacy of the websites they are downloading from. In conclusion, the ability to download 1998 Subaru Legacy Outback Factory Service Manual has transformed the way we access information. With the convenience, cost-effectiveness, and accessibility it offers, free PDF downloads have become a popular choice for students, researchers, and book lovers worldwide. However, it is crucial to engage in ethical downloading practices and prioritize personal security when utilizing online platforms. By doing so, individuals can make the most of the vast array of free PDF resources available and embark on a journey of continuous learning and intellectual growth.

FAQs About 1998 Subaru Legacy Outback Factory Service Manual Books

1. Where can I buy 1998 Subaru Legacy Outback Factory Service Manual books? Bookstores: Physical bookstores like Barnes & Noble, Waterstones, and independent local stores. Online Retailers: Amazon, Book Depository, and various online bookstores offer a wide range of books in physical and digital formats.
2. What are the different book formats available? Hardcover: Sturdy and durable, usually more expensive. Paperback: Cheaper, lighter, and more portable than hardcovers. E-books: Digital books available for e-readers like Kindle or software like Apple Books, Kindle, and Google Play Books.
3. How do I choose a 1998 Subaru Legacy Outback Factory Service Manual book to read? Genres: Consider the genre you enjoy (fiction, non-fiction, mystery, sci-fi, etc.). Recommendations: Ask friends, join book clubs, or explore online reviews and recommendations. Author: If you like a particular author, you might enjoy more of their work.
4. How do I take care of 1998 Subaru Legacy Outback Factory Service Manual books? Storage: Keep them away from direct sunlight and in a dry environment. Handling: Avoid folding pages, use bookmarks, and handle them with clean

- hands. Cleaning: Gently dust the covers and pages occasionally.
5. Can I borrow books without buying them? Public Libraries: Local libraries offer a wide range of books for borrowing. Book Swaps: Community book exchanges or online platforms where people exchange books.
 6. How can I track my reading progress or manage my book collection? Book Tracking Apps: Goodreads, LibraryThing, and Book Catalogue are popular apps for tracking your reading progress and managing book collections. Spreadsheets: You can create your own spreadsheet to track books read, ratings, and other details.
 7. What are 1998 Subaru Legacy Outback Factory Service Manual audiobooks, and where can I find them? Audiobooks: Audio recordings of books, perfect for listening while commuting or multitasking. Platforms: Audible, LibriVox, and Google Play Books offer a wide selection of audiobooks.
 8. How do I support authors or the book industry? Buy Books: Purchase books from authors or independent bookstores. Reviews: Leave reviews on platforms like Goodreads or Amazon. Promotion: Share your favorite books on social media or recommend them to friends.
 9. Are there book clubs or reading communities I can join? Local Clubs: Check for local book clubs in libraries or community centers. Online Communities: Platforms like Goodreads have virtual book clubs and discussion groups.
 10. Can I read 1998 Subaru Legacy Outback Factory Service Manual books for free? Public Domain Books: Many classic books are available for free as they're in the public domain. Free E-books: Some websites offer free e-books legally, like Project Gutenberg or Open Library.

Find 1998 Subaru Legacy Outback Factory Service Manual :

how to handle divorce as a man

how to find moles of unknown solute

how to draw malala easy

how to pass workkeys writing test

~~how to make a tree for a bulletin board~~

how to get 2 20 license in florida

how to paint abstract with acrylics

how to learn electronics for beginners

how to remove sticker residue from matte paperback books

how to live very frugally

how to heal the adrenals naturally

how to document a head to toe assessment

how to learn hypnotism

~~how to get texas identification card~~

how to play christian songs on piano

1998 Subaru Legacy Outback Factory Service Manual :