

TOSHIBA

SERVICE MANUAL

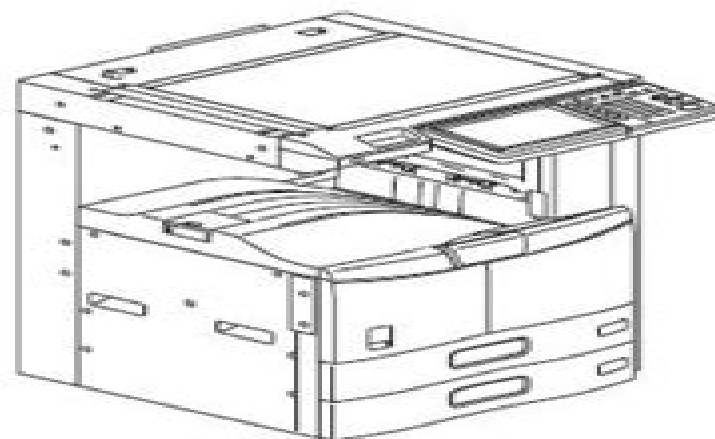
MULTIFUNCTIONAL DIGITAL SYSTEMS

e-STUDIO206L/256/306/356/456/506

e-STUDIO306S/356S/456S

e-STUDIO256SE/306SE/356SE/456SE/506SE

e-STUDIO306SD/356SD/456SD



Toshiba E Studio 356 Manual

Rico Pfirstinger



Toshiba E Studio 356 Manual

Audio Power Amplifier Design Douglas Self,2013-07-04 This book is essential for audio power amplifier designers and engineers for one simple reason it enables you as a professional to develop reliable high performance circuits The Author Douglas Self covers the major issues of distortion and linearity power supplies overload DC protection and reactive loading He also tackles unusual forms of compensation and distortion produced by capacitors and fuses This completely updated fifth edition includes four NEW chapters including one on The XD Principle invented by the author and used by Cambridge Audio Crosstalk power amplifier input systems and microcontrollers in amplifiers are also now discussed in this fifth edition making this book a must have for audio power amplifier professionals and audiophiles *Introduction to Embedded Systems,*

Second Edition Edward Ashford Lee,Sanjit Arunkumar Seshia,2017-01-06 An introduction to the engineering principles of embedded systems with a focus on modeling design and analysis of cyber physical systems The most visible use of computers and software is processing information for human consumption The vast majority of computers in use however are much less visible They run the engine brakes seatbelts airbag and audio system in your car They digitally encode your voice and construct a radio signal to send it from your cell phone to a base station They command robots on a factory floor power generation in a power plant processes in a chemical plant and traffic lights in a city These less visible computers are called embedded systems and the software they run is called embedded software The principal challenges in designing and analyzing embedded systems stem from their interaction with physical processes This book takes a cyber physical approach to embedded systems introducing the engineering concepts underlying embedded systems as a technology and as a subject of study The focus is on modeling design and analysis of cyber physical systems which integrate computation networking and physical processes The second edition offers two new chapters several new exercises and other improvements The book can be used as a textbook at the advanced undergraduate or introductory graduate level and as a professional reference for practicing engineers and computer scientists Readers should have some familiarity with machine structures computer programming basic discrete mathematics and algorithms and signals and systems **Fuji X Secrets** Rico

Pfirstinger,2018-12-17 p p1 margin 0 0px 0 0px 0 0px 0 0px font 12 0px Cambria p p2 margin 0 0px 0 0px 0 0px 0 0px font 11 0px Verdana min height 13 0px p p3 margin 0 0px 0 0px 0 0px 0 0px font 12 0px Cambria min height 14 0px span s1 font 11 0px Verdana span Apple tab span white space pre In this book X Pert Corner columnist and workshop mentor Rico Pfirstinger teaches you all about the capabilities of the Fujifilm X series lineup of cameras which he s discovered through years of in depth research experience and experimentation No matter which X series camera you own whether it be the X T3 X H1 X T2 X Pro2 X100F X T20 X E3 GFX or any other Fuji X series camera Rico cuts to the chase and provides a plethora of tips and practical instructions not found in user manuals or anywhere else With this knowledge you will be able to take full advantage

of your X series camera The Fujifilm X series boasts amazing features but some users may require an adjustment period if they are new to these cameras even photographers who have been lifetime DSLR shooters This guide will help you to quickly feel comfortable using your camera so that you can achieve excellent results Rico reveals many hidden features functions and procedures so photographers of every level beginners enthusiasts and experienced pros will learn new and better ways to use their Fuji X series camera to its full potential Beyond beneficial practices for all X series shooters Rico also covers advanced concepts such as the capabilities of Fujifilm s ISOless sensors with Dual Conversion Gain and offers solutions for common issues such as inaccurate focus or RAW conversion artifacts Topics covered include Firmware upgrades lens issues OIS and IBIS Menu shortcuts Custom Settings My Menu Quick Menu and Fn buttons Mirrorless exposure metering Maximizing dynamic range ISOless photography Autofocus settings challenges and strategies Film simulations white balance and JPEG settings RAW conversion internal and external Flash photography And much more

[Fundamentals of Computer Programming with C#](#) Svetlin Nakov, Veselin Kolev, 2013-09-01 The free book Fundamentals of Computer Programming with C is a comprehensive computer programming tutorial that teaches programming logical thinking data structures and algorithms problem solving and high quality code with lots of examples in C It starts with the first steps in programming and software development like variables data types conditional statements loops and arrays and continues with other basic topics like methods numeral systems strings and string processing exceptions classes and objects After the basics this fundamental programming book enters into more advanced programming topics like recursion data structures lists trees hash tables and graphs high quality code unit testing and refactoring object oriented principles inheritance abstraction encapsulation and polymorphism and their implementation the C language It also covers fundamental topics that each good developer should know like algorithm design complexity of algorithms and problem solving The book uses C language and Visual Studio to illustrate the programming concepts and explains some C NET specific technologies like lambda expressions extension methods and LINQ The book is written by a team of developers lead by Svetlin Nakov who has 20 years practical software development experience It teaches the major programming concepts and way of thinking needed to become a good software engineer and the C language in the meantime It is a great start for anyone who wants to become a skillful software engineer The books does not teach technologies like databases mobile and web development but shows the true way to master the basics of programming regardless of the languages technologies and tools It is good for beginners and intermediate developers who want to put a solid base for a successful career in the software engineering industry The book is accompanied by free video lessons presentation slides and mind maps as well as hundreds of exercises and live examples Download the free C programming book videos presentations and other resources from <http://introprogramming.info> Title Fundamentals of Computer Programming with C The Bulgarian C Programming Book ISBN 9789544007737 ISBN 13 978 954 400 773 7 9789544007737 ISBN 10 954 400 773 3 9544007733 Author Svetlin Nakov programming concepts

programming fundamentals compiler Visual Studio NET NET Framework data types variables expressions statements console conditional statements control flow logic loops arrays numeral systems methods strings text processing StringBuilder exceptions exception handling stack trace streams files text files linear data structures list linked list stack queue tree balanced tree graph depth first search DFS breadth first search BFS dictionaries hash tables associative arrays sets algorithms sorting algorithm searching algorithms recursion combinatorial algorithms algorithm complexity OOP object oriented programming classes objects constructors fields properties static members abstraction interfaces encapsulation inheritance virtual methods polymorphism cohesion coupling enumerations generics namespaces UML design patterns extension methods anonymous types lambda expressions LINQ code quality high quality code high quality classes high quality methods code formatting self documenting code code refactoring problem solving problem solving methodology 9789544007737 9544007733

The Sound of Silence Burkhard Vogel,2011-07-30 There is a wide field of tasks left that can only be satisfyingly attacked with the help of old fashioned analogue technology and one of the most important are amplifiers for analogue signals The strongly expanded content of the second edition of the sound of silence leads to affordable amplifier design approaches which will end up in lowest noise solutions not far away from the edge of physical boundaries set by room temperature and given cartridges thus fully compatible with very expensive so called high end or state of the art offers on today markets and from a noise point of view in most cases outperforming them With easy to follow mathematical treatment it is demonstrated as well that theory is not far away from reality Measured SNs will be found within 1dB off the calculated ones and deviations from the exact amplifier transfer won t cross the 0 1dB tolerance lines Additionally the book presents measurement set ups and results Consequently comparisons with measurement results of test magazine will soon become easier to perform This new edition includes a new chapters about reference levels Noise in Amp Input sections Humming Problems and much more

CCNA Routing and Switching Complete Review Guide Todd Lammle,2016-12-13 Cisco has announced big changes to its certification program As of February 24 2020 all current certifications will be retired and Cisco will begin offering new certification programs The good news is if you re working toward any current CCNA certification keep going You have until February 24 2020 to complete your current CCNA This means if you already have CCENT ICND1 certification and would like to earn CCNA you have until February 23 2020 to complete your CCNA certification in the current program Likewise if you re thinking of completing the current CCENT ICND1 ICND2 or CCNA Routing and Switching certification you can still complete them between now and February 23 2020 Tight focused CCNA review covering all three exams The CCNA Routing and Switching Complete Review Guide offers clear concise review for Exams 100 105 200 105 and 200 125 Written by best selling certification author and Cisco guru Todd Lammle this guide is your ideal resource for quick review and reinforcement of key topic areas This second edition has been updated to align with the latest versions of the exams and works alongside the Sybex CCNA Routing and Switching Complete

Study Guide 2nd Edition Coverage includes LAN switching technologies IP routing IP services IPv4 and IPv6 addressing network device security WAN technologies and troubleshooting providing 100% coverage of all objectives for the CCNA ICND1 ICND2 and Composite exams The Sybex online learning environment gives you access to additional study tools including practice exams and flashcards to give you additional review before exam day Prepare thoroughly for the ICND1 ICND2 and the CCNA Composite exams Master all objective domains mapped directly to the exams Clarify complex topics with guidance from the leading Cisco expert Access practice exams electronic flashcards and more Each chapter focuses on a specific exam domain so you can read from beginning to end or just skip what you know and get right to the information you need This Review Guide is designed to work hand in hand with any learning tool or use it as a stand alone review to gauge your level of understanding The CCNA Routing and Switching Complete Review Guide 2nd Edition gives you the confidence you need to succeed on exam day

Information Systems John Gallaughar,2016 Idea Man Paul Allen,2012 What s it like to start a revolution How do you build the biggest tech company in the world And why do you walk away from it all Paul Allen co founded Microsoft Together he and Bill Gates turned an idea writing software into a company and then an entire industry This is the story of how it came about two young mavericks who turned technology on its head the bitter battles as each tried to stamp his vision on the future and the ruthless brilliance and fierce commitment

The Art of Being Human Michael Wesch,2018-08-07 Anthropology is the study of all humans in all times in all places But it is so much more than that Anthropology requires strength valor and courage Nancy Scheper Hughes noted Pierre Bourdieu called anthropology a combat sport an extreme sport as well as a tough and rigorous discipline It teaches students not to be afraid of getting one s hands dirty to get down in the dirt and to commit yourself body and mind Susan Sontag called anthropology a heroic profession What is the payoff for this heroic journey You will find ideas that can carry you across rivers of doubt and over mountains of fear to find the the light and life of places forgotten Real anthropology cannot be contained in a book You have to go out and feel the world s jagged edges wipe its dust from your brow and at times leave your blood in its soil In this unique book Dr Michael Wesch shares many of his own adventures of being an anthropologist and what the science of human beings can tell us about the art of being human This special first draft edition is a loose framework for more and more complete future chapters and writings It serves as a companion to anth101 com a free and open resource for instructors of cultural anthropology This 2018 text is a revision of the first draft edition from 2017 and includes 7 new chapters

Brand Relevance David A. Aaker,2011-01-25 Branding guru Aaker shows how to eliminate the competition and become the lead brand in your market This ground breaking book defines the concept of brand relevance using dozens of case studies Prius Whole Foods Westin iPad and more and explains how brand relevance drives market dynamics which generates opportunities for your brand and threats for the competition Aaker reveals how these companies have made other brands in their categories irrelevant Key points When managing a new category of product treat it as if it were a brand By failing to produce

what customers want or losing momentum and visibility your brand becomes irrelevant and create barriers to competitors by supporting innovation at every level of the organization Using dozens of case studies shows how to create or dominate new categories or subcategories making competitors irrelevant Shows how to manage the new category or subcategory as if it were a brand and how to create barriers to competitors Describes the threat of becoming irrelevant by failing to make what customer are buying or losing energy David Aaker the author of four brand books has been called the father of branding This book offers insight for creating and or owning a new business arena Instead of being the best the goal is to be the only brand around making competitors irrelevant

The Future of Technology Tom Standage,2005-08-01 From the industrial revolution to the railway age through the era of electrification the advent of mass production and finally to the information age the same pattern keeps repeating itself An exciting vibrant phase of innovation and financial speculation is followed by a crash after which begins a longer more stately period during which the technology is actually deployed properly This collection of surveys and articles from The Economist examines how far technology has come and where it is heading Part one looks at topics such as the greying maturing of IT the growing importance of security the rise of outsourcing and the challenge of complexity all of which have more to do with implementation than innovation Part two looks at the shift from corporate computing towards consumer technology whereby new technologies now appear first in consumer gadgets such as mobile phones Topics covered will include the emergence of the mobile phone as the digital Swiss Army knife the rise of digital cameras which now outsell film based ones the growing size and importance of the games industry and its ever closer links with other more traditional parts of the entertainment industry and the social impact of technologies such as text messaging Wi Fi and camera phones Part three considers which technology will lead the next great phase of technological disruption and focuses on biotechnology energy technology and nanotechnology

Musical Sound Effects Jean-Michel Réveillac,2017-12-27 For decades performers instrumentalists composers technicians and sound engineers continue to manipulate sound material They are trying with more or less success to create to innovate improve enhance restore or modify the musical message The sound of distorted guitar of Jimi Hendrix Pierre Henry s concrete music Pink Flyod s rock psychedelic Kraftwerk s electronic music Daft Punk and rap T Pain have let emerge many effects reverb compression distortion auto tune filter chorus phasing etc The aim of this book is to introduce and explain these effects and sound treatments by addressing their theoretical and practical aspects

Android Hacker's Handbook Joshua J. Drake,Zach Lanier,Collin Mulliner,Pau Oliva Fora,Stephen A. Ridley,Georg Wicherski,2014-03-26 The first comprehensive guide to discovering and preventing attacks on the Android OS As the Android operating system continues to increase its share of the smartphone market smartphone hacking remains a growing threat Written by experts who rank among the world s foremost Android security researchers this book presents vulnerability discovery analysis and exploitation tools for the good guys Following a detailed explanation of how the Android OS works and its overall security architecture the authors examine how

vulnerabilities can be discovered and exploits developed for various system components preparing you to defend against them If you are a mobile device administrator security researcher Android app developer or consultant responsible for evaluating Android security you will find this guide is essential to your toolbox A crack team of leading Android security researchers explain Android security risks security design and architecture rooting fuzz testing and vulnerability analysis Covers Android application building blocks and security as well as debugging and auditing Android apps Prepares mobile device administrators security researchers Android app developers and security consultants to defend Android systems against attack Android Hacker s Handbook is the first comprehensive resource for IT professionals charged with smartphone security

Ethics for the Information Age Michael Jay Quinn,2006 Widely praised for its balanced treatment of computer ethics Ethics for the Information Age offers a modern presentation of the moral controversies surrounding information technology Topics such as privacy and intellectual property are explored through multiple ethical theories encouraging readers to think critically about these issues and to make their own ethical decisions

Game Engine Architecture Jason Gregory,2017-03-27 Hailed as a must have textbook CHOICE January 2010 the first edition of Game Engine Architecture provided readers with a complete guide to the theory and practice of game engine software development Updating the content to match today s landscape of game engine architecture this second edition continues to thoroughly cover the major components that make up a typical commercial game engine New to the Second Edition Information on new topics including the latest variant of the C programming language C 11 and the architecture of the eighth generation of gaming consoles the Xbox One and PlayStation 4 New chapter on audio technology covering the fundamentals of the physics mathematics and technology that go into creating an AAA game audio engine Updated sections on multicore programming pipelined CPU architecture and optimization localization pseudovectors and Grassman algebra dual quaternions SIMD vector math memory alignment and anti aliasing Insight into the making of Naughty Dog s latest hit The Last of Us The book presents the theory underlying various subsystems that comprise a commercial game engine as well as the data structures algorithms and software interfaces that are typically used to implement them It primarily focuses on the engine itself including a host of low level foundation systems the rendering engine the collision system the physics simulation character animation and audio An in depth discussion on the gameplay foundation layer delves into the game s object model world editor event system and scripting system The text also touches on some aspects of gameplay programming including player mechanics cameras and AI An awareness building tool and a jumping off point for further learning Game Engine Architecture Second Edition gives readers a solid understanding of both the theory and common practices employed within each of the engineering disciplines covered The book will help readers on their journey through this fascinating and multifaceted field

Blown to Bits Harold Abelson,Ken Ledeen,Harry R. Lewis,2008 Blown to Bits is about how the digital explosion is changing everything The text explains the technology why it creates so many surprises and why things often don t work the way we expect them to It is

also about things the information explosion is destroying old assumptions about who is really in control of our lives

Diagnostic Radiology Physics International Atomic Energy Agency, D. R. Dance, 2014 This publication is aimed at students and teachers involved in programmes that train medical physicists for work in diagnostic radiology It provides a comprehensive overview of the basic medical physics knowledge required in the form of a syllabus for the practice of modern diagnostic radiology This makes it particularly useful for graduate students and residents in medical physics programmes The material presented in the publication has been endorsed by the major international organizations and is the foundation for academic and clinical courses in both diagnostic radiology physics and in emerging areas such as imaging in radiotherapy

Hacking Digital Cameras Chieh Cheng, Auri Rahimzadeh, 2005-09-23 Provides step by step instructions for more than twenty modifications for digital cameras including building a remote control creating car mounts and making a home light studio

Violence at Work Duncan Chappell, Vittorio Di Martino, International Labour Office, 2006 Violence at work ranging from bullying and mobbing to threats by psychologically unstable co workers sexual harassment and homicide is increasing worldwide and has reached epidemic levels in some countries This updated and revised edition looks at the full range of aggressive acts offers new information on their occurrence and identifies occupations and situations at particular risk It is organised in three sections understanding violence at work responding to violence at work future action

The UX Book Rex Hartson, Pardha S. Pyla, 2018-11-02 The discipline of user experience UX design has matured into a confident practice and this edition reflects and in some areas accelerates that evolution Technically this is the second edition of The UX Book but so much of it is new it is more like a sequel One of the major positive trends in UX is the continued emphasis on design a kind of design that highlights the designer's creative skills and insights and embodies a synthesis of technology with usability usefulness aesthetics and meaningfulness to the user In this edition a new conceptual top down design framework is introduced to help readers with this evolution This entire edition is oriented toward an agile UX lifecycle process explained in the funnel model of agile UX as a better match to the now de facto standard agile approach to software engineering To reflect these trends even the subtitle of the book is changed to Agile UX design for a quality user experience Designed as a how to do it handbook and field guide for UX professionals and a textbook for aspiring students the book is accompanied by in class exercises and team projects The approach is practical rather than formal or theoretical The primary goal is still to imbue an understanding of what a good user experience is and how to achieve it To better serve this processes methods and techniques are introduced early to establish process related concepts as context for discussion in later chapters Winner of a 2020 Textbook Excellence Award College Texty from the Textbook and Academic Authors Association A comprehensive textbook for UX HCI Interaction Design students readymade for the classroom complete with instructors manual dedicated web site sample syllabus examples exercises and lecture slides Features HCI theory process practice and a host of real world stories and contributions from industry luminaries to prepare students for working in the field The only HCI textbook to

cover agile methodology design approaches and a full modern suite of classroom material stemming from tried and tested classroom use by the authors

[duramax lmm fuel rail pressure sensor location copy](#) - Aug 05 2022

web duramax lmm fuel rail pressure sensor location all about pigging oct 18 2020 ethics technology and engineering jun 13 2020 featuring a wide range of

lmm fuel rail pressure duramaxdiesels com - Apr 13 2023

web grand rapids mi may 12 2016 1 trying to figure out why my fuel rail pressure is so much higher than commanded i have my desired flow set at 26110 which is just over 120

lmm p0087 low fuel rail pressure help chevy and gmc - Aug 17 2023

web oct 22 2020 i was pulling a 20ft car trailer with a 36hp tractor up a 6 grade going 65mph and my duramax said reduced engine power and change fuel filter with a p0087 low frp

fuel rail pressure sensor chevy and gmc duramax diesel - Jul 16 2023

web may 15 2011 i suggest you do the bottle test to check the fprv fuel pressure relief valve that is the sensor on the fuel rail lly engines do have a weak spring in the

duramax lmm fuel rail pressure sensor location - Sep 06 2022

web duramax lmm fuel rail pressure sensor location duramax lmm fuel rail pressure sensor location crank shaft position sensor diesel bombers thoroughbred diesel

[l5p fuel rail pressure sensor location chevy and](#) - Oct 19 2023

web jul 30 2023 1 jul 17 2021 hi everyone i m having trouble finding any information diagrams on the location of the fuel rail pressure sensor i have removed the cold air pipe and its still not visible any insight would be greatly appreciated thanks in

bosch 0281006313 fuel rail pressure sensor 11 16 gm 6 6l - Mar 12 2023

web mpn 0281006313 features benefits built in circuit protection to ensure your electronics and computer systems stay unharmed high reliability of pressure sensing

[2006 duramax low fuel rail pressure fix youtube](#) - Dec 09 2022

web apr 6 2019 p0087 gm duramac kodiak code fix

fuel rail pressure sensor 06 10 duramax lbz lmm us - Jan 10 2023

web fuel tanks fluids additives lift kits suspension home return to previous page email password new customer forgot password fuel rail pressure frp sensor

duramax fuel leak help yellow bullet forums - Nov 08 2022

web dec 30 2009 pi01312 6 6l lb7 duramax diesel fuel leak from fuel rail pressure sensor fluid smoke aug 20 2003 if the leak continues after replacing the fuel rail

ldp lml fuel pressure sensor fooler install youtube - Feb 11 2023

web apr 10 2020 install video of our lml fuel pressure sensor fooler and delete plug

2018 silverado duramax l5p fuel pressure regulator youtube - May 14 2023

web sep 4 2022 just a quick video of the l5p duramax fuel pressure regulator location and what you need to replace it come to find out the sensor wasn't bad customer ins

lmm fuel pressure sensor diesel place - Sep 18 2023

web may 25 2018 lmm fuel pressure sensor ok new guy here here goes nothing trouble shooting 0087 on my lmm using a e scan tool i added gm bundle and

duramax lmm fuel rail pressure sensor location 2023 - Oct 07 2022

web duramax lmm fuel rail pressure sensor location fuel systems for ic engines mar 14 2020 this book presents the papers from the latest conference in this successful

duramax fuel rail pressure sensor wrench toolweb - Jun 15 2023

web 2006 to 2010 duramax lbz and lmm diesel engines removing and replacing the duramax fuel rail pressure sensor switch on 2006 2010 lbz lmm diesel engines

scribd - Feb 17 2023

web textbook solutions for electric circuits 8th edition 8th edition james w nilsson and others in this series view step by step homework solutions for your homework ask our

electric circuits solution manual chegg com - Apr 19 2023

web oct 26 2021 chapter topics include circuit variables circuit elements simple resistive circuits techniques of circuit analysis the operational amplifier inductors

electric circuits 9th edition nilsson solutions manual - Apr 07 2022

web oct 11 2022 electric circuit nilsson 8th edition solution manual different types of bugs in manual testing icd v21 sony manual unidare wms718n manual sony cdx

electric circuits nilsson james william author free download - Mar 18 2023

web scribd

solution manual electric circuits 8th edition nilsson - Jun 09 2022

web electric circuits 9th edition nilsson solutions manual free download as pdf file pdf text file txt or read online for free

solutions manual

electric circuits 8th edition textbook solutions bartleby - Jan 16 2023

web feb 21 2018 download electric circuits 8th edition nilsson teacher s solutions pdf

simple resistive circuits electric circuits 8th edition nilsson - Oct 13 2022

web may 1 2007 created by an anonymous user imported from amazon com record electric circuits by james w nilsson susan riedel may 1 2007 prentice hall edition in english

electric circuits nilsson 8th edition thebookee net - Jul 10 2022

web jul 6 2012 this is solution manual required for electrical circuit analysis course at maulana azad national institute of technology it includes circuit elements branch

electrical circuit analysis solution manual docsity - May 08 2022

web electric circuits nilsson riedel 8th edition solution manual r chatterton bought amcor r290 user s manual 25 minutes ago support see prices manualslib is a free

electric circuits 8th edition nilsson teacher s solutions pdf - Sep 24 2023

web electric circuits 8th edition nilsson teacher s solutions pdf 34m7ezwo3o46 idocpub home current explore explore all upload fundamental of electric

nilsson electric circuits 8th edition solution manual pdfsayar - Sep 12 2022

web you can download pdf versions of the user s guide manuals and ebooks about electric circuits nilsson 8th edition you can also find and download for free a free online

electric circuits 8th edition nilsson teacher s solutions pdf - Nov 14 2022

web nilsson electric circuits 8th edition solution manual pdf arama sonuçları

electric circuits nilsson riedel 8th edition solution manual - Mar 06 2022

web electric circuits nilsson 8th edition solution manual hyundai ix35 workshop manual 2010 2010 read more electric circuits nilsson 8th edition solution

electric circuits 8th edition solutions manual pdf scribd - Jul 22 2023

web now with expert verified solutions from electric circuits 8th edition you ll learn how to solve your toughest homework problems our resource for electric circuits includes

electric circuits 8th edition amazon com - Dec 15 2022

web jul 6 2012 simple resistive circuits electric circuits 8th edition nilsson electrical circuit analysis solution manual exercises for electronic circuits analysis

solutions for electric circuits 8th by james w nilsson susan a - May 20 2023

web get instant access to our step by step electric circuits solutions manual our solution manuals are written by chegg experts so you can be assured of the highest quality

[solution manual for electric circuits by nilsson](#) - Aug 23 2023

web electric circuits 8th edition solutions manual free ebook download as pdf file pdf or read book online for free electric circuits 8th edition solutions manual

electric circuits 8th edition solutions and answers quizlet - Jun 21 2023

web electric circuits solutions for electric circuits 8th james w nilsson susan a riedel get access to all of the answers and step by step video explanations to this book and

electric circuits 8th edition nilsson solution manual - Nov 02 2021

electric circuits nilsson 8th edition solution manual - Jan 04 2022

web electric circuits 8th edition nilsson solution manual 8 302 items add add manuals search extension to your browser dean c 12 jun top videogame brands

electric circuits 8th edition by james w nilsson open library - Aug 11 2022

web view solution manual electric circuits 8th edition nilsson from econ 232 at harvard university full file at testbank360 eu solution manual electric circuits 8th

[electric circuit nilsson 8th edition solution manual](#) - Feb 05 2022

web may 19 2013 nilsson riedel electric circuit 8th edition solution manual may 19 2013 05 13 a large collection of scanned documents and related material associated with

nilsson riedel electric circuit 8th edition solution manual - Dec 03 2021

césar aira il pittore fulminato recensione - Oct 06 2022

web césar aira il pittore fulminato fazi 2018 narrativa straniera romanzo 21 05 2018 di eliana barlocco la storia che racconta césar aira nel suo libro il pittore fulminato è quella del viaggio del pittore tedesco dell ottocento johann moritz rugendas tra la regione andina e l argentina

[il pittore fulminato by césar aira](#) - Dec 28 2021

web il pittore fulminato ebook di césar aira 9788893253567 may 21st 2020 leggi il pittore fulminato di césar aira disponibile su rakuten kobo johann moritz rugendas noto pittore tedesco dell ottocento pie un viaggio tra la regione andina e l argentina insie anteprima il pittore fulminato di césar aira tra le

il pittore fulminato rugendas raccontato da césar aira - Jul 03 2022

web mar 24 2018 il pittore fulminato johann moritz rugendas raccontato da césar aira di vittoria pauri nei suoi quadri la semplicità avvolgeva ogni cosa e conferiva all'opera uno splendore di madreperla e la luce di una giornata primaverile

[il pittore fulminato aira césar amazon com tr](#) - May 13 2023

web il pittore fulminato aira césar amazon com tr Çerez tercihlerinizi seçin alışveriş deneyiminizi geliştirmek hizmetlerimizi sunmak müşterilerin hizmetlerimizi nasıl kullandığını anlayarak iyileştirmeler yapabilmek ve tanıtımları gösterebilmek için çerezler ve benzeri araçları kullanmaktayız

I arte di rugendas il pittore fulminato di césar aira - Feb 27 2022

web mar 24 2018 il pittore fulminato è il racconto dei viaggi attraverso l'america e l'europa di uno dei più importanti pittori dell'ottocento johann moritz rugendas

[il pittore fulminato by roberto bolaño césar aira](#) - Mar 31 2022

web graphic ableism body horror blood moderate animal cruelty violence forced institutionalization minor gun violence

il pittore fulminato césar aira google books - Feb 10 2023

web johann moritz rugendas noto pittore tedesco dell'ottocento compie un viaggio tra la regione andina e l'argentina insieme a un altro pittore più giovane il fidato amico krause 1 due paesaggisti cercano il volto nascosto della loro arte e sono catturati dall'ignota immensità che palpita di mistero si immergono nella ricchezza della natura

I artista diventa opera fulminante césar aira lucialibri - Jan 29 2022

web mar 22 2018 il pittore fulminato è un breve ma potentissimo romanzo del grande scrittore argentino fa il verso al didascalico racconto biografico del tedesco johan moritz rugendas poi racconta le conseguenze fisiche e psicologiche di un incidente che cambia tutto facendogli vivere una comunione totale con terre e uomini

[il pittore fulminato aira césar ebook epub2 con adobe](#) - Jan 09 2023

web il pittore fulminato è un ebook di aira césar pubblicato da fazi nella collana le strade a 8 99 il file è in formato epub2 con adobe drm risparmia online con le offerte ibs

amazon it il pittore fulminato aira césar bolaño roberto - Apr 12 2023

web il pittore fulminato copertina flessibile 21 febbraio 2018 di césar aira autore roberto bolaño presentazione raul schenardi traduttore 3 2 13 voti visualizza tutti i formati ed edizioni formato kindle 8 99 leggilo con la nostra app gratuita

il pittore fulminato ebook epub césar aira fnac - Jun 02 2022

web johann moritz rugendas noto pittore tedesco dell'ottocento compie un viaggio tra la regione andina e l'argentina insieme a un altro pittore più giovane il fidato amico krause

il pittore fulminato la magia del sud america di césar aira - May 01 2022

web mar 1 2018 oggi primo marzo fazi editore porta in libreria uno dei suoi romanzi più apprezzati il pittore fulminato che

come riporta il titolo originale ripercorre un episodio nella vita del pittore viaggiatore il pittore in questione è johann moritz rugendas pittore tedesco realmente vissuto nel xix secolo il quale ha trascorso gran

[il pittore fulminato césar aira google books](#) - Mar 11 2023

web un viaggio suggestivo attraverso la bellezza l arte e il lato grottesco della natura una volta che cominci a leggere aira non vuoi più smettere uno dei tre o quattro migliori scrittori in

il pittore fulminato césar aira libro fazi le strade ibs - Jun 14 2023

web il pittore fulminato è un libro di césar aira pubblicato da fazi nella collana le strade acquista su ibs a 16 00

[il pittore fulminato césar aira libro café](#) - Aug 04 2022

web mar 1 2018 il pittore fulminato johann moritz rugendas noto pittore tedesco dell ottocento compie un viaggio tra la regione andina e l argentina insieme a un altro pittore più giovane il fidato amico krause

il pittore fulminato césar aira fazi editore - Jul 15 2023

web mar 1 2018 uno dei più stimati scrittori sudamericani di oggi paragonato a calvino e nabokov per il suo allegro gioco letterario torna nelle librerie italiane con uno dei suoi romanzi più apprezzati una vicenda intrigante ed eccezionale come il suo protagonista

il pittore fulminato ebook di césar aira epub kobo com - Dec 08 2022

web leggi il pittore fulminato di césar aira disponibile su rakuten kobo johann moritz rugendas noto pittore tedesco dell ottocento compie un viaggio tra la regione andina e l argentina insie

[il pittore fulminato by césar aira goodreads](#) - Aug 16 2023

web césar aira roberto bolaño foreword raul schenardi translator 3 88 3 600 ratings424 reviews johann moritz rugendas noto pittore tedesco dell ottocento compie un viaggio tra la regione andina e l argentina insieme a un altro pittore più giovane il

il pittore fulminato by césar aira the storygraph - Sep 05 2022

web il pittore fulminato césar aira 93 pages first pub 2000 user added isbn uid 9788893253574 format digital language italian publisher fazi publication date 01 april 2018 fiction art historical adventurous challenging reflective medium paced to read read currently reading did not finish

il pittore fulminato italian edition kindle edition amazon com - Nov 07 2022

web mar 1 2018 il pittore fulminato italian edition kindle edition by aira césar download it once and read it on your kindle device pc phones or tablets use features like bookmarks note taking and highlighting while reading il pittore fulminato italian edition

As recognized, adventure as with ease as experience approximately lesson, amusement, as without difficulty as treaty can be gotten by just checking out a ebook **Toshiba E Studio 356 Manual** moreover it is not directly done, you could recognize even more almost this life, almost the world.

We have enough money you this proper as with ease as easy pretension to get those all. We present Toshiba E Studio 356 Manual and numerous books collections from fictions to scientific research in any way. in the middle of them is this Toshiba E Studio 356 Manual that can be your partner.

https://offsite.creighton.edu/files/virtual-library/Documents/nostradamus_on_antichrist.pdf

https://offsite.creighton.edu/files/virtual-library/Documents/ohio_state_dental_continuing_education.pdf

https://offsite.creighton.edu/files/virtual-library/Documents/odyssey_owen_benjamin.pdf

Table of Contents Toshiba E Studio 356 Manual

1. Understanding the eBook Toshiba E Studio 356 Manual
 - The Rise of Digital Reading Toshiba E Studio 356 Manual
 - Advantages of eBooks Over Traditional Books
2. Identifying Toshiba E Studio 356 Manual
 - Exploring Different Genres
 - Considering Fiction vs. Non-Fiction
 - Determining Your Reading Goals
3. Choosing the Right eBook Platform
 - Popular eBook Platforms
 - Features to Look for in an Toshiba E Studio 356 Manual

- User-Friendly Interface
- 4. Exploring eBook Recommendations from Toshiba E Studio 356 Manual
 - Personalized Recommendations
 - Toshiba E Studio 356 Manual User Reviews and Ratings
 - Toshiba E Studio 356 Manual and Bestseller Lists
- 5. Accessing Toshiba E Studio 356 Manual Free and Paid eBooks
 - Toshiba E Studio 356 Manual Public Domain eBooks
 - Toshiba E Studio 356 Manual eBook Subscription Services
 - Toshiba E Studio 356 Manual Budget-Friendly Options
- 6. Navigating Toshiba E Studio 356 Manual eBook Formats
 - ePub, PDF, MOBI, and More
 - Toshiba E Studio 356 Manual Compatibility with Devices
 - Toshiba E Studio 356 Manual Enhanced eBook Features
- 7. Enhancing Your Reading Experience
 - Adjustable Fonts and Text Sizes of Toshiba E Studio 356 Manual
 - Highlighting and Note-Taking Toshiba E Studio 356 Manual
 - Interactive Elements Toshiba E Studio 356 Manual
- 8. Staying Engaged with Toshiba E Studio 356 Manual
 - Joining Online Reading Communities
 - Participating in Virtual Book Clubs
 - Following Authors and Publishers Toshiba E Studio 356 Manual
- 9. Balancing eBooks and Physical Books Toshiba E Studio 356 Manual
 - Benefits of a Digital Library
 - Creating a Diverse Reading Collection Toshiba E Studio 356 Manual
- 10. Overcoming Reading Challenges
 - Dealing with Digital Eye Strain
 - Minimizing Distractions
 - Managing Screen Time
- 11. Cultivating a Reading Routine Toshiba E Studio 356 Manual
 - Setting Reading Goals Toshiba E Studio 356 Manual

- Carving Out Dedicated Reading Time
- 12. Sourcing Reliable Information of Toshiba E Studio 356 Manual
 - Fact-Checking eBook Content of Toshiba E Studio 356 Manual
 - Distinguishing Credible Sources
- 13. Promoting Lifelong Learning
 - Utilizing eBooks for Skill Development
 - Exploring Educational eBooks
- 14. Embracing eBook Trends
 - Integration of Multimedia Elements
 - Interactive and Gamified eBooks

Toshiba E Studio 356 Manual Introduction

In the digital age, access to information has become easier than ever before. The ability to download Toshiba E Studio 356 Manual has revolutionized the way we consume written content. Whether you are a student looking for course material, an avid reader searching for your next favorite book, or a professional seeking research papers, the option to download Toshiba E Studio 356 Manual has opened up a world of possibilities. Downloading Toshiba E Studio 356 Manual provides numerous advantages over physical copies of books and documents. Firstly, it is incredibly convenient. Gone are the days of carrying around heavy textbooks or bulky folders filled with papers. With the click of a button, you can gain immediate access to valuable resources on any device. This convenience allows for efficient studying, researching, and reading on the go. Moreover, the cost-effective nature of downloading Toshiba E Studio 356 Manual has democratized knowledge. Traditional books and academic journals can be expensive, making it difficult for individuals with limited financial resources to access information. By offering free PDF downloads, publishers and authors are enabling a wider audience to benefit from their work. This inclusivity promotes equal opportunities for learning and personal growth. There are numerous websites and platforms where individuals can download Toshiba E Studio 356 Manual. These websites range from academic databases offering research papers and journals to online libraries with an expansive collection of books from various genres. Many authors and publishers also upload their work to specific websites, granting readers access to their content without any charge. These platforms not only provide access to existing literature but also serve as an excellent platform for undiscovered authors to share their work with the world. However, it is essential to be cautious while downloading Toshiba E Studio 356 Manual. Some websites may offer pirated or illegally obtained copies of copyrighted material. Engaging in such activities not only violates copyright laws but also undermines the efforts of authors, publishers, and researchers. To ensure

ethical downloading, it is advisable to utilize reputable websites that prioritize the legal distribution of content. When downloading Toshiba E Studio 356 Manual, users should also consider the potential security risks associated with online platforms. Malicious actors may exploit vulnerabilities in unprotected websites to distribute malware or steal personal information. To protect themselves, individuals should ensure their devices have reliable antivirus software installed and validate the legitimacy of the websites they are downloading from. In conclusion, the ability to download Toshiba E Studio 356 Manual has transformed the way we access information. With the convenience, cost-effectiveness, and accessibility it offers, free PDF downloads have become a popular choice for students, researchers, and book lovers worldwide. However, it is crucial to engage in ethical downloading practices and prioritize personal security when utilizing online platforms. By doing so, individuals can make the most of the vast array of free PDF resources available and embark on a journey of continuous learning and intellectual growth.

FAQs About Toshiba E Studio 356 Manual Books

What is a Toshiba E Studio 356 Manual PDF? A PDF (Portable Document Format) is a file format developed by Adobe that preserves the layout and formatting of a document, regardless of the software, hardware, or operating system used to view or print it. **How do I create a Toshiba E Studio 356 Manual PDF?** There are several ways to create a PDF: Use software like Adobe Acrobat, Microsoft Word, or Google Docs, which often have built-in PDF creation tools. Print to PDF: Many applications and operating systems have a "Print to PDF" option that allows you to save a document as a PDF file instead of printing it on paper. Online converters: There are various online tools that can convert different file types to PDF. **How do I edit a Toshiba E Studio 356 Manual PDF?** Editing a PDF can be done with software like Adobe Acrobat, which allows direct editing of text, images, and other elements within the PDF. Some free tools, like PDFescape or Smallpdf, also offer basic editing capabilities. **How do I convert a Toshiba E Studio 356 Manual PDF to another file format?** There are multiple ways to convert a PDF to another format: Use online converters like Smallpdf, Zamzar, or Adobe Acrobats export feature to convert PDFs to formats like Word, Excel, JPEG, etc. Software like Adobe Acrobat, Microsoft Word, or other PDF editors may have options to export or save PDFs in different formats. **How do I password-protect a Toshiba E Studio 356 Manual PDF?** Most PDF editing software allows you to add password protection. In Adobe Acrobat, for instance, you can go to "File" -> "Properties" -> "Security" to set a password to restrict access or editing capabilities. Are there any free alternatives to Adobe Acrobat for working with PDFs? Yes, there are many free alternatives for working with PDFs, such as: LibreOffice: Offers PDF editing features. PDFsam: Allows splitting, merging, and editing PDFs. Foxit Reader: Provides basic PDF viewing and editing capabilities. How do I compress a PDF file? You can use online tools like Smallpdf, ILovePDF, or

desktop software like Adobe Acrobat to compress PDF files without significant quality loss. Compression reduces the file size, making it easier to share and download. Can I fill out forms in a PDF file? Yes, most PDF viewers/editors like Adobe Acrobat, Preview (on Mac), or various online tools allow you to fill out forms in PDF files by selecting text fields and entering information. Are there any restrictions when working with PDFs? Some PDFs might have restrictions set by their creator, such as password protection, editing restrictions, or print restrictions. Breaking these restrictions might require specific software or tools, which may or may not be legal depending on the circumstances and local laws.

Find Toshiba E Studio 356 Manual :

[nostradamus on antichrist](#)

[ohio state dental continuing education](#)

odyssey owen benjamin

[now hiring poster template](#)

obama 2022 reading list

odessa something was wrong podcast

[nursing intervention for knowledge deficit](#)

note taking guide episode 102 answer key

nursing diagnoses for sepsis

nixon invasion of cambodia

oh dear neptune

nnat vs cogat

northern atlantic islands

oh noah pequeno

[notary public receipt template](#)

Toshiba E Studio 356 Manual :