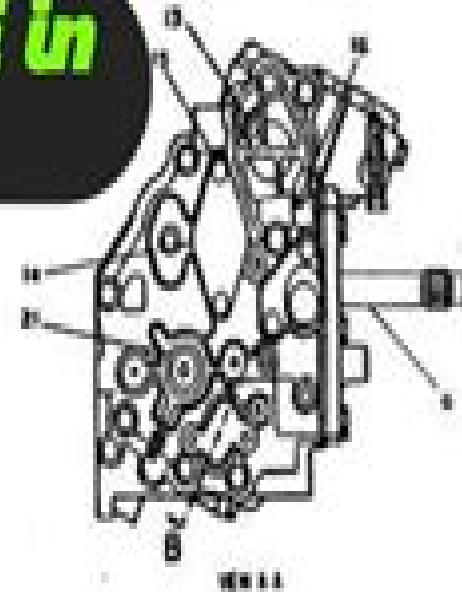
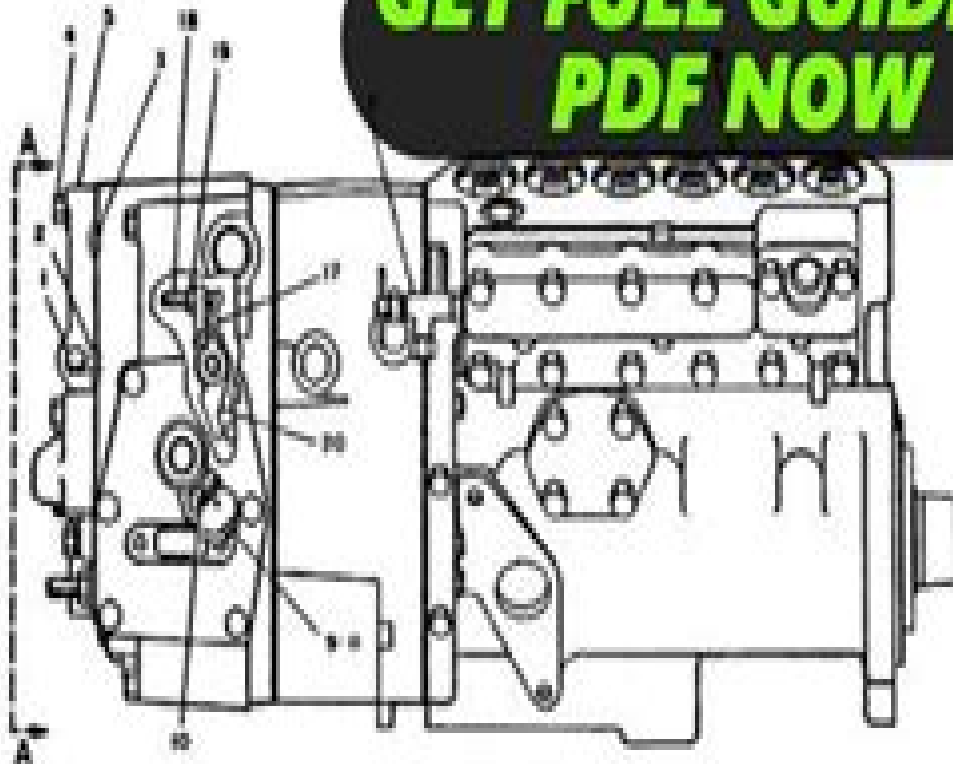


GET FULL GUIDE in PDF NOW



NO.	REF. NO.	DESCRIPTION
1	054160	UP/LEG
2	047523	WAL
3	047524	WAL
4	047525	WAL
5	047526	WAL
6	047527	WAL
7	047528	WAL
8	047529	WAL

NO.	REF. NO.	DESCRIPTION
9	047530	WAL
10	047531	WAL
11	047532	WAL
12	047533	WAL
13	047534	WAL

NO.	REF. NO.	DESCRIPTION
14	047535	WAL
15	047536	WAL
16	047537	WAL
17	047538	WAL
18	047539	WAL
19	047540	WAL
20	047541	WAL
21	047542	WAL
22	047543	WAL
23	047544	WAL
24	047545	WAL
25	047546	WAL
26	047547	WAL
27	047548	WAL
28	047549	WAL
29	047550	WAL
30	047551	WAL
31	047552	WAL
32	047553	WAL
33	047554	WAL
34	047555	WAL
35	047556	WAL
36	047557	WAL
37	047558	WAL
38	047559	WAL
39	047560	WAL
40	047561	WAL
41	047562	WAL
42	047563	WAL
43	047564	WAL
44	047565	WAL
45	047566	WAL
46	047567	WAL
47	047568	WAL
48	047569	WAL
49	047570	WAL
50	047571	WAL
51	047572	WAL
52	047573	WAL
53	047574	WAL
54	047575	WAL
55	047576	WAL
56	047577	WAL
57	047578	WAL
58	047579	WAL
59	047580	WAL
60	047581	WAL
61	047582	WAL
62	047583	WAL
63	047584	WAL
64	047585	WAL
65	047586	WAL
66	047587	WAL
67	047588	WAL
68	047589	WAL
69	047590	WAL
70	047591	WAL
71	047592	WAL
72	047593	WAL
73	047594	WAL
74	047595	WAL
75	047596	WAL
76	047597	WAL
77	047598	WAL
78	047599	WAL
79	047600	WAL
80	047601	WAL
81	047602	WAL
82	047603	WAL
83	047604	WAL
84	047605	WAL
85	047606	WAL
86	047607	WAL
87	047608	WAL
88	047609	WAL
89	047610	WAL
90	047611	WAL
91	047612	WAL
92	047613	WAL
93	047614	WAL
94	047615	WAL
95	047616	WAL
96	047617	WAL
97	047618	WAL
98	047619	WAL
99	047620	WAL
100	047621	WAL

Download Link in Comment or Description

Diagram Of 3406b Cat Engine

B100 Supply LLC



Diagram Of 3406b Cat Engine

The Tribology of Internal Combustion Engines IMechE (Institution of Mechanical Engineers), Institution of Mechanical Engineers (Great Britain). Tribology Group, 1997-03-06 Understanding the contact between surfaces in combustion engines and the tribological analysis and management of the wear is important to engine management This text discusses the topic **Diesel Progress Engines & Drives**, 1989 *Performance Exhaust Systems* Mike Mavrigian, 2014-08-15 To extract maximum performance an engine needs an efficient well designed and properly tuned exhaust system In fact the exhaust system s design components and materials have a large impact on the overall performance of the engine Engine builders and car owners need to carefully consider the exhaust layout select the parts and fabricate the exhaust system that delivers the best performance for car and particular application Master engine builder and award winning writer Mike Mavrigian explains exhaust system principles function and components in clear and concise language He then details how to design fabricate and fit exhaust systems to classic street cars as well as for special and racing applications Air exhaust gas flow dynamics and exhaust system design are explained Cam duration and overlap are also analyzed to determine how an engine breathes in air fuel as the exhaust must efficiently manage this burned mixture Pipe bending is a science as well as art and you re shown how to effectively crush and mandrel bend exhaust pipe to fit your header manifold and chassis combination Header tube diameter and length is taken into account as well as the most efficient catalytic converters and resonators for achieving your performance goals In addition Mavrigian covers the special exhaust system requirements for supercharged and turbocharged systems When building a high performance engine you need a high performance exhaust system that s tuned and fitted to that engine so you can realize maximum performance This comprehensive book is your guide to achieving ultimate exhaust system performance It shows you how to fabricate a system for custom applications and to fit the correct prefabricated system to your car No other book on the market is solely dedicated to fabricating and fitting an exhaust system in high performance applications **Competition Engine Building** John Baechtel, 2012 The needs of a true competition engine are quite different than those of the engine under the hood of a typical commuter car From the basic design needs to the base component materials to the sizes of the flow related hardware to the precision of the machining to the capabilities of each pertinent system very few similarities exist Many books exist showcasing how to make street based engines more powerful and or durable This book is different in that it focuses purely on the needs of high rpm high durability high powered racing engines It begins by looking at the raw design needs and then shares how these needs are met at the various phases of an engine s development assembly testing and tuning This book features reviews of many popular modern tools techniques products and testing data collecting machinery Showing the proper way to use such tools how to accurately collect data and how to use the data effectively when designing an engine is

critical information not readily available elsewhere The special needs of a competition engine aren't commonly discussed and the many secrets competition engine builders hold closely are openly shared on the pages here Authored by veteran author John Baechtel *Competition Engine Building* stands alone as a premier guide for enthusiasts and students of the racing engine It also serves as a reference guide for experienced professionals anxious to learn the latest techniques or see how the newest tools are used Baechtel is more than just an author as he holds or has held several World Records at Bonneville Additionally his engines have won countless races in many disciplines including road racing and drag racing

Home Brew Biodiesel B100 Supply LLC,2009-01-01 Implementing an Integrated Management System (IMS) Alan Field,2019-05-21 Understand how to implement an IMS integrated management system and how it can benefit your organisation An IMS incorporates all of an organisation's processes and systems so that they are working under and towards one set of policies and objectives Your strategic guide to implementing an IMS get the help and guidance you need Caterpillar Eric C. Orleman,1998 *Naval Engineering Manual* United States. Coast Guard,1987 *Building a New Nation* Dan Connell,2004 In April 1976 Dan Connell slipped into Eritrea's besieged capital Asmara where he witnessed the assassination of a top ranking Ethiopian official and its bloody aftermath the summary execution of dozens of innocent civilians His front page account in *The Washington Post* broke Ethiopia's long standing information blockade Connell went on to write about the radical social transformation underway in guerrilla held areas the near defeat of Ethiopia's American backed army

A Quick Guide to API 653 Certified Storage Tank Inspector Syllabus Clifford Matthews,2011-10-25 The API Individual Certification Programs ICP are well established in the oil gas petroleum industries API runs multiple examination sites around the world at 6 monthly intervals The three main ICPs are API 570 Certified pipework inspector API 510 Certified pressure vessel inspector API 653 Certified storage tank inspector Reviews one of API's three main ICPs API 653 Certified storage tank inspector Discusses key definitions and scope inspection regimes and testing techniques relating to tank design linings welds protection systems repair and alteration API Individual Certification Programs ICP are well established in the oil gas petroleum industries *Wind-Diesel Systems* Ray Hunter,George Elliot,1994-03-03 This book provides for the first time in a single volume the collective knowledge of many leading researchers on state of the art wind diesel technology It contains the results and advice of nineteen experts from ten different countries and has been carefully edited to provide a coherent reference volume This book is the result of a five year study by a group of experts working on the development of wind diesel technology under the auspices of the International Energy Agency The formal technical aims of this project were as follows to define cost effective models and techniques for obtaining wind and load data necessary for planning to specify decentralised wind energy conversion system installations to apply and further develop models suitable for analysing the performance of wind diesel systems and to obtain a sound analytical basis for planning and designing wind diesel systems Electrical Power Systems P.S.R. Murty,2017-06-12 *Electrical Power Systems* provides comprehensive foundational content for a wide

range of topics in power system operation and control With the growing importance of grid integration of renewables and the interest in smart grid technologies it is more important than ever to understand the fundamentals that underpin electrical power systems The book includes a large number of worked examples and questions with answers and emphasizes design aspects of some key electrical components like cables and breakers The book is designed to be used as reference review or self study for practitioners and consultants or for students from related engineering disciplines that need to learn more about electrical power systems Provides comprehensive coverage of all areas of the electrical power system useful as a one stop resource Includes a large number of worked examples and objective questions with answers to help apply the material discussed in the book Features foundational content that provides background and review for further study analysis of more specialized areas of electric power engineering

The Practical Pumping Handbook Ross C Mackay,2004-09-17 The Practical Pumping Handbook is a practical account of pumping piping and seals starting with basics and providing detailed but accessible information on all aspects of the pumping process and what can go wrong with it Written by an acknowledged expert with years of teaching experience in the practical understanding of pumps and systems Aids understanding of pumps to minimize failures and time out A practical handbook covering the basics of the pumping process Written by an acknowledged expert

The Anthroposophical Soul Calendar and the Incarnation Cycle of Man Roland Schrapp,2020-12-09 This book takes a completely new look at the Anthroposophical Soul Calendar It is about the deeper meaning of the fifty two weekly verses which has remained essentially unexplored in the last hundred years since the first edition by Rudolf Steiner A dense veil of Isis was spread over them of which is well known that no mortal person can lift it Only the immortal psycho spiritual human being who knows himself at home in the extrasensory higher worlds is capable of doing this Only to him the weekly verses reveal themselves as a travel guide through these worlds and lift him up to ever higher spiritual cosmic realms until he reaches the experience of God from where he gradually descends again into a new life on Earth enriched in spirit and fertilized in his soul If the reader embarks on this journey the spiritual archetype of the Soul Calendar is ultimately unveiled to him and he achieves an extended understanding of Man and Christ By many quotations from Rudolf Steiner s lectures and books the author virtually lets Steiners himself elucidate the breathtaking depths of his mysterious weekly verses

Internal Combustion Engines Institution of Mechanical Engineers,2014-10-10 This book presents the papers from the Internal Combustion Engines Performance fuel economy and emissions held in London UK This popular international conference from the Institution of Mechanical Engineers provides a forum for IC engine experts looking closely at developments for personal transport applications though many of the drivers of change apply to light and heavy duty on and off highway transport and other sectors These are exciting times to be working in the IC engine field With the move towards downsizing advances in FIE and alternative fuels new engine architectures and the introduction of Euro 6 in 2014 there are plenty of challenges The aim remains to reduce both CO2 emissions and the dependence on oil derivate fossil fuels whilst

meeting the future more stringent constraints on gaseous and particulate material emissions as set by EU North American and Japanese regulations How will technology developments enhance performance and shape the next generation of designs The book introduces compression and internal combustion engines applications followed by chapters on the challenges faced by alternative fuels and fuel delivery The remaining chapters explore current improvements in combustion pollution prevention strategies and data comparisons Presents the latest requirements and challenges for personal transport applications Gives an insight into the technical advances and research going on in the IC Engines field Provides the latest developments in compression and spark ignition engines for light and heavy duty applications automotive and other markets

Farm Implement News ,1885 *Electrical Contracting* Michael Neidle,2013-10-22 *Electrical Contracting* Second Edition is a nine chapter text guide for the greater efficiency in planning and completing installations for the design installation and control of electrical contracts This book starts with a general overview of the efficient cabling and techniques that must be employed for safe wiring design as well as the cost estimation of the complete electrical contract The subsequent chapters are devoted to other electrical contracting requirements including electronic motor control lighting and electricity tariffs A chapter focuses on the IEE Wiring Regulations and Statutory Regulations to ensure compliance to the fundamental requirements for safety The discussion then shifts to visual inspection and testing in accordance with the IEE Wiring Regulations The last chapter describes the special role of the Joint Industrial Council for Electrical Installation Contracting in introducing a rational and equitable incomes policy into the industry This text includes many worked examples and illustrations to demonstrate how the technical and commercial aspects are put into practice **Government Reports Announcements & Index** ,1993 *Tractors and Loaders* LeRu Publishers,2012 Children will have lots of fun coloring the different kinds of tractors **Machinery Failure Analysis Handbook** ,2006 Understanding why and how failures occur is critical to failure prevention as even the slightest breakdown can lead to catastrophic loss of life and asset as well as widespread pollution This book helps anyone involved with machinery reliability whether in the design of new plants or the maintenance and operation of existing ones to understand why process equipment fails and thereby prevent similar failures

gilgal the place of beginning - Feb 18 2022

web june 5th 2018 here they kept the passover for the first time in the promised land g gilgal is a place to establish the king h gilgal represents the place of at gilgal the stone was rolled away living room theology may 30th 2018 at gilgal the stone was rolled away and it s at gilgal the place we first meet the lord the

galgala wikipedia - Jul 26 2022

web galgala 10 99028 n 49 05694 e 10 99028 49 05694 galgala is a town in bari region of somalia the town has ancient markings of religious symbols and crosses and ancient remains of a cairns which commonly found in sanaag and bari somalia

regions 2 citation needed

gilgal the place of beginning thomas stackhouse - Mar 02 2023

web gilgal the place of beginning recognizing the way ways to get this book gilgal the place of beginning is additionally useful you have remained in right site to begin getting this info acquire the gilgal the place of beginning link that we come up with the money for here and check out the link

biblical gilgal central meeting place of the israelites holylandsite - Jul 06 2023

web camp gilgal is the first place the israelites camped after crossing the jordan river and entering the promised land at camp gilgal joshua erected 12 stones taken from the jordan river as a monument of remembrance camp gilgal was the first place the israelites celebrated the passover after entering the promised land

how to grow spiritually part 1 gilgal the place of beginning - Sep 08 2023

web hi family gilgal is the place of beginning when you accept jesus as your lord and savior you are at the point of beginning

gilgal the place of beginning pdf oldshit fatwreck - Sep 27 2022

web gilgal the place of beginning 1 gilgal the place of beginning the story of patriarchs and prophets the first three kings of israel gilgal the pentateuch and book of joshua critically examined run covenant renewal at gilgal the location of gilgal the pentateuch and book of joshua the origin myths and holy places in the old testament

gilgal the place of beginning thomas stackhouse - May 24 2022

web gilgal the place of beginning when people should go to the ebook stores search start by shop shelf by shelf it is in fact problematic this is why we give the books compilations in this website it will very ease you to see guide gilgal

gilgal bethel jericho the jordan the place of beginning the place - Feb 01 2023

web gilgal bethel jericho the jordan the place of beginning the place of prayer the place of battle the place of death i think we all have such

gilgal a place of new beginnings in the promised - Jun 05 2023

web jun 13 2013 gilgal is your place of new beginnings a place where the past is rolled away a place where new steps are taken a place where new areas in your life are conquered and a place where new victories are won take your first step today toward your new beginning as you set about building your gilgal

gilgal the place of beginning - Nov 29 2022

web sep 28 2023 june 8th 2018 i will not leave thee gilgal was the place of a new beginning have you stood still at gilgal and made a decision to leave the sins of the past behind shiloh and shechem samaritans joshua september 29th 2002 shiloh and shechem and given priority to shiloh as the first place variants by referring to the

gilgal the place of beginning pdf uniport edu - May 04 2023

web may 4 2023 [gilgal the place of beginning 2 6](#) downloaded from uniport edu ng on may 4 2023 by guest revelation or prophetic vision about our lives however that is not enough the transitions to jericho place of spiritual warfare learning god s battle plans and learning from the saints of old to jordan a

[gilgal the place of beginning pdf uniport edu](#) - Aug 07 2023

web [gilgal the place of beginning 1 6](#) downloaded from uniport edu ng on september 2 2023 by guest [gilgal the place of beginning recognizing the pretentiousness ways to get this book](#) [gilgal the place of beginning](#) is additionally useful you have remained in right site to start getting this info get the [gilgal the place of beginning link](#) that we

garalgachha wikipedia - Jun 24 2022

web all places marked in the map are linked in the larger full screen map gram panchayat villages and census towns in garalgachha gram panchayat are eklakhi garalgachha and krishnapur demographics as per 2011 census of india garalgachha had a total population of 5 411 of which 2 760 51 were males and 2 651 49 were females

[gilgal wikipedia](#) - Oct 09 2023

web in the book of deuteronomy 11 29 30 [gilgal](#) is a place across from mount gerizim and mount ebal in the book of samuel a place named [gilgal](#) was included in samuel s annual circuit and is the location where he offered sacrifices after saul was anointed as king and where he renewed saul s kingship together with the people

[gilgal the place of beginning uniport edu](#) - Mar 22 2022

web jun 6 2023 [gilgal the place of beginning 2 6](#) downloaded from uniport edu ng on june 6 2023 by guest believe that god can and will do something incredible with our lives as you read release the fear release the old ways of thinking and doing things release the constraints you have placed on god and

[gilgal sculpture garden city park in salt lake city](#) - Aug 27 2022

web [gilgal](#) needs gardeners this might be just the place for you [gilgal garden](#) is a city park and slc cuts the grass and does the heavy work like pruning the trees the garden is maintained by a group of dedicated gardeners from the salt lake county gardening association we are looking for new helpers

gilgal i wikipedia - Dec 31 2022

web [gilgal i hebrew](#) גִּלְגַּל is an archaeological site in the jordan valley west bank dated to the early neolithic period the site is located 8 mi 13 km north of ancient jericho 1 the features and artifacts unearthed at [gilgal i](#) shed important light on agriculture in the levant

[gilgal the place of beginning secure4 khronos](#) - Oct 29 2022

web may 17 2023 do not enter [gilgal](#) [gilgal](#) was the place of new beginnings [gilgal](#) was the first place israel camped in the land of promise lessons from amos find out information about [gilgal](#) in the bible 1 first encampment of the israelites near

jericho w of

gilgal the place of beginning uniport edu - Apr 22 2022

web may 11 2023 reader to many of the major narratives of the bible beginning with abraham and other patriarchs israel s judges and prophets jesus christ paul and john s seven churches in revelation this covers

gilgal the place of beginning 2023 stage gapinc - Apr 03 2023

web 2 gilgal the place of beginning 2023 07 22 remain determined and focused for in due season you shall reap if you faint not gal 6 9 the song of the sea peter lang we are not likely to discover the treasure of the so called old testament if we regard whole passages as historically interesting yet without relevance to our

la vache orange 1cd audio de hale nathan 2008 relié - Jan 05 2023

web la vache orange 1cd audio de hale nathan 2008 relié hale nathan amazon es libros

la vache orange 1cd audio culturecodubai com - Feb 06 2023

web une vache orange en goguette rencontre un renard qui prend grand soin d elle bien qu elle ne soit pas très sage la vache orange 1cd audio publisher flammarion date of

livres audio 2017 la vache orange 1cd audio - Jul 11 2023

web la vache orange 1cd audio nathan hale auteur lucile butel auteur 13 acheter neuf eur 10 00 eur 9 50 as of 01 22 2013 05 27 pst 16 neuf d occasion a partir de

jeunesse 2016 la vache orange 1cd audio - Apr 08 2023

web la vache orange 1cd audio nathan hale auteur lucile butel auteur 13 acheter neuf eur 10 00 eur 9 50 as of 01 22 2013 03 41 pst 16 neuf d occasion a partir de

livres audio cd 2014 la vache orange 1cd audio - Jun 10 2023

web la vache orange 1cd audio nathan hale auteur lucile butel auteur 12 acheter neuf eur 10 00 eur 9 50 as of 12 26 2012 15 07 pst 16 neuf d occasion a partir de

la vache a parisian entrecôte steakhouse hong kong - Apr 27 2022

web la vache orange 1cd audio as recognized adventure as competently as experience about lesson amusement as competently as covenant can be gotten by just checking

butel lucile hale nathan abebooks - Sep 01 2022

web share 57 views 2 years ago lilou la conteuse et la marionnette grignotte vous présentent une nouvelle version jeune public de l album du père castor la vache orange

la vache orange 1 livre 1 cd audio by nathan hale goodreads - Aug 12 2023

web read 5 reviews from the world s largest community for readers a kind hearted fox takes home a sick and very demanding

orange cow

la vache orange avec 1 cd audio label emmaüs - Mar 07 2023

web le bon renard emporte chez lui pour la soigner la vache orange qui se sent bien malade mais ce n est

la vache song and lyrics by ricoune spotify - Jun 29 2022

web renewalcc com

la vache orange youtube - Jul 31 2022

web listen to la vache on spotify ricoune song 2001 ricoune song 2001 listen to la vache on spotify ricoune song 2001 sign up
log in home search your library

hong kong restaurant search la vache openrice hong kong - Jan 25 2022

web go to 1 openrice com 香港 香港 香港 香港 la vache s menu located at g f 48 peel street soho central

la vache orange 1cd audio book smcapproved - Feb 23 2022

web la vache list view map view location hong kong island 2 soho 1 central 1 admiralty 1 tsim sha tsui 1 kowloon 1 admiralty
station 1 pacific place 1 soho

la vache orange youtube - Dec 04 2022

web jan 20 2021 histoires À Écouter et À dessiner la médiathèque de l institut français du chili vous propose des contes
traditionnels à écouter et dessiner voici la

la vache orange 1 livre 1 cd audio open library - Sep 13 2023

web nov 17 2002 la vache orange 1 livre 1 cd audio by nathan hale lucile butel november 17 2002 flammariion père castor
edition audio cd in french français

la vache orange de nathan hale youtube - Nov 03 2022

web la vache orange 1cd audio butel lucile hale nathan amazon com mx libros

renewalcc com - May 29 2022

web premium ingredients upbeat music and friendly service have established la vache s unbeatable steak frites offering as a
favourite among hong kong s dining scene 48 peel

la vache s menu french steak house in central soho hong - Dec 24 2021

livres audio cd 2013 la vache orange 1cd audio - May 09 2023

web la vache orange 1cd audio nathan hale auteur lucile butel auteur 13 acheter neuf eur 10 00 eur 9 50 as of 01 22 2013 04
42 pst 16 neuf d occasion a partir de

la vache orange 1cd audio analytics testkestories - Mar 27 2022

web la vache orange 1cd audio schwann spectrum 1995 dictionary of louisiana french albert valdman 2009 the dictionary of louisiana french dlf provides the richest

la vache orange 1cd audio amazon com mx - Oct 02 2022

web la vache orange by butel lucile and hale nathan and a great selection of related books art and collectibles available now at abebooks co uk

amazon fr la vache orange butel lucile hale - Oct 14 2023

web en 1943 la vache orange est publiée pour la première fois en même temps que le cheval bleu née à amiens lucile butel a été professeur de dessin à fort de france

eddie s garden and how to make things grow - Feb 27 2023

web what makes eddie s garden grow earth rain sun and all sorts of creatures of course eddie s garden is magnificent from his stringy bean house to his tall sunflowers find

eddie s garden and how to make things grow by sarah garland - Dec 28 2022

web presents eddie mum and baby sister lily as they set out to shop prepare and plant a new garden what people are saying write a review reviews aren t verified but google

[eddie s garden and how to make things grow google books](#) - May 01 2023

web eddie works hard in his garden digging pulling up the weeds and watering his plants soon the garden looks wonderful full of tasty treats that will make his picnic with lily

[eddie s garden and how to make things grow san bruno](#) - Mar 19 2022

web apr 15 2020 eddie s garden and how to make things grow helen armstrong 9 subscribers subscribe 7 share 909 views 2 years ago mrs armstrong reads our story of

eddie s garden and how to make things grow garland sarah - May 21 2022

web eddie s garden and how to make things grow by sarah garland what it s all about eddie and his sister learn about gardening from their mother together they

eddie s garden and how to make things grow google books - Jul 03 2023

web what makes eddie s garden grow earth rain sun and all sorts of creatures of course eddie works hard digging pulling weeds and watering his plants and soon his

[eddie s garden and how to make things grow google books](#) - Aug 24 2022

web what makes eddie s garden grow earth rain sun and all sorts of creatures of course eddie s garden is magnificent from his stringy bean house to his tall sunflowers how

reading tips and activities whole kids foundation - Jan 17 2022

eddie s garden and how to make things grow and how to - Jul 23 2022

web eddie s garden and how to make things grow garland sarah describes how eddie with help from his mother planted and grew a garden and concludes with

eddie s garden and how to make things grow - Sep 05 2023

web apr 1 2009 what makes eddie s garden grow earth rain sun and all sorts of creatures of course eddie works hard digging pulling weeds and watering his

eddie s garden and how to make things grow reading rockets - Jun 02 2023

web what makes eddie s garden grow earth rain sun and all sorts of creatures of course eddie s garden is magnificent from his stringy bean house to his tall sunflowers how

eddie s garden and how to make things grow amazon ae - Apr 19 2022

web get this from a library eddie s garden and how to make things grow sarah garland eddie and lily help mum plant and tend a garden

eddie s garden and how to make things grow stem - Aug 04 2023

web the garden that eddie and his mum plant while his younger sister helps grows in the warm earth with the help of sun rain and beneficial creatures like worms eddie learns

eddie s garden and how to make things grow - Jan 29 2023

web mar 28 2020 eddie s garden and how to make things grow by sarah garland this reading is purely for entertainment purposes please relax and enjoy all rights reside

eddieEs garden and how to make things grow google books - Mar 31 2023

web mar 1 2006 eddie works hard digging pulling weeds and watering his plants and soon his garden is magnificent from his string bean house to his tall sunflowers how his

eddie s garden and how to make things grow youtube - Sep 24 2022

web eddie s garden and how to make things grow by garland sarah publication date 2004 topics gardening fiction juvenile literature gardening fiction gardening

eddie s garden and how to make things grow hardcover - Jun 21 2022

web eddies garden and how to make things grow sarah garland amazon com tr kitap Çerez tercihlerinizi seçin Çerez bildirimimizde detaylandırıldığı üzere satın alın

eddie s garden and how to make things grow abebooks - Oct 26 2022

web what makes eddie s garden grow earth rain sun and all sorts of creatures of course eddie s garden is magnificent from his stringy bean house to his tall sunflowers how

eddie s garden and how to make things grow worldcat org - Dec 16 2021

eddie s garden and how to make things grow youtube - Nov 14 2021

science through stories eddie s garden scholastic - Nov 26 2022

web eddie s garden is magnificent from his stringy bean house to his tall sunflowers how eddie s garden grows and develops is clearly told in this gentle story with lively

eddies garden and how to make things grow kağıt kapak - Feb 15 2022

eddie s garden and how to make things grow - Oct 06 2023

web apr 1 2009 what makes eddie s garden grow earth rain sun and all sorts of creatures of course eddie s garden is magnificent from his stringy bean house to his tall

As recognized, adventure as skillfully as experience approximately lesson, amusement, as competently as union can be gotten by just checking out a ebook **Diagram Of 3406b Cat Engine** as a consequence it is not directly done, you could acknowledge even more on this life, not far off from the world.

We offer you this proper as without difficulty as easy exaggeration to acquire those all. We allow Diagram Of 3406b Cat Engine and numerous books collections from fictions to scientific research in any way. in the midst of them is this Diagram Of 3406b Cat Engine that can be your partner.

https://offsite.creighton.edu/files/virtual-library/Documents/m_g_magnette.pdf

https://offsite.creighton.edu/files/virtual-library/Documents/map_knowledge_practice_test_massachusetts.pdf

https://offsite.creighton.edu/files/virtual-library/Documents/lush_short_stories.pdf

Table of Contents Diagram Of 3406b Cat Engine

1. Understanding the eBook Diagram Of 3406b Cat Engine
 - The Rise of Digital Reading Diagram Of 3406b Cat Engine
 - Advantages of eBooks Over Traditional Books
2. Identifying Diagram Of 3406b Cat Engine
 - Exploring Different Genres
 - Considering Fiction vs. Non-Fiction
 - Determining Your Reading Goals
3. Choosing the Right eBook Platform
 - Popular eBook Platforms
 - Features to Look for in an Diagram Of 3406b Cat Engine

- User-Friendly Interface
- 4. Exploring eBook Recommendations from Diagram Of 3406b Cat Engine
 - Personalized Recommendations
 - Diagram Of 3406b Cat Engine User Reviews and Ratings
 - Diagram Of 3406b Cat Engine and Bestseller Lists
- 5. Accessing Diagram Of 3406b Cat Engine Free and Paid eBooks
 - Diagram Of 3406b Cat Engine Public Domain eBooks
 - Diagram Of 3406b Cat Engine eBook Subscription Services
 - Diagram Of 3406b Cat Engine Budget-Friendly Options
- 6. Navigating Diagram Of 3406b Cat Engine eBook Formats
 - ePub, PDF, MOBI, and More
 - Diagram Of 3406b Cat Engine Compatibility with Devices
 - Diagram Of 3406b Cat Engine Enhanced eBook Features
- 7. Enhancing Your Reading Experience
 - Adjustable Fonts and Text Sizes of Diagram Of 3406b Cat Engine
 - Highlighting and Note-Taking Diagram Of 3406b Cat Engine
 - Interactive Elements Diagram Of 3406b Cat Engine
- 8. Staying Engaged with Diagram Of 3406b Cat Engine
 - Joining Online Reading Communities
 - Participating in Virtual Book Clubs
 - Following Authors and Publishers Diagram Of 3406b Cat Engine
- 9. Balancing eBooks and Physical Books Diagram Of 3406b Cat Engine
 - Benefits of a Digital Library
 - Creating a Diverse Reading Collection Diagram Of 3406b Cat Engine
- 10. Overcoming Reading Challenges
 - Dealing with Digital Eye Strain
 - Minimizing Distractions
 - Managing Screen Time
- 11. Cultivating a Reading Routine Diagram Of 3406b Cat Engine
 - Setting Reading Goals Diagram Of 3406b Cat Engine

- Carving Out Dedicated Reading Time
- 12. Sourcing Reliable Information of Diagram Of 3406b Cat Engine
 - Fact-Checking eBook Content of Diagram Of 3406b Cat Engine
 - Distinguishing Credible Sources
- 13. Promoting Lifelong Learning
 - Utilizing eBooks for Skill Development
 - Exploring Educational eBooks
- 14. Embracing eBook Trends
 - Integration of Multimedia Elements
 - Interactive and Gamified eBooks

Diagram Of 3406b Cat Engine Introduction

Free PDF Books and Manuals for Download: Unlocking Knowledge at Your Fingertips In today's fast-paced digital age, obtaining valuable knowledge has become easier than ever. Thanks to the internet, a vast array of books and manuals are now available for free download in PDF format. Whether you are a student, professional, or simply an avid reader, this treasure trove of downloadable resources offers a wealth of information, conveniently accessible anytime, anywhere. The advent of online libraries and platforms dedicated to sharing knowledge has revolutionized the way we consume information. No longer confined to physical libraries or bookstores, readers can now access an extensive collection of digital books and manuals with just a few clicks. These resources, available in PDF, Microsoft Word, and PowerPoint formats, cater to a wide range of interests, including literature, technology, science, history, and much more. One notable platform where you can explore and download free Diagram Of 3406b Cat Engine PDF books and manuals is the internet's largest free library. Hosted online, this catalog compiles a vast assortment of documents, making it a veritable goldmine of knowledge. With its easy-to-use website interface and customizable PDF generator, this platform offers a user-friendly experience, allowing individuals to effortlessly navigate and access the information they seek. The availability of free PDF books and manuals on this platform demonstrates its commitment to democratizing education and empowering individuals with the tools needed to succeed in their chosen fields. It allows anyone, regardless of their background or financial limitations, to expand their horizons and gain insights from experts in various disciplines. One of the most significant advantages of downloading PDF books and manuals lies in their portability. Unlike physical copies, digital books can be stored and carried on a single device, such as a tablet or smartphone, saving valuable space and weight. This convenience makes it possible for readers to have their entire library at their fingertips, whether they are commuting, traveling, or simply enjoying a lazy afternoon at home. Additionally,

digital files are easily searchable, enabling readers to locate specific information within seconds. With a few keystrokes, users can search for keywords, topics, or phrases, making research and finding relevant information a breeze. This efficiency saves time and effort, streamlining the learning process and allowing individuals to focus on extracting the information they need. Furthermore, the availability of free PDF books and manuals fosters a culture of continuous learning. By removing financial barriers, more people can access educational resources and pursue lifelong learning, contributing to personal growth and professional development. This democratization of knowledge promotes intellectual curiosity and empowers individuals to become lifelong learners, promoting progress and innovation in various fields. It is worth noting that while accessing free Diagram Of 3406b Cat Engine PDF books and manuals is convenient and cost-effective, it is vital to respect copyright laws and intellectual property rights. Platforms offering free downloads often operate within legal boundaries, ensuring that the materials they provide are either in the public domain or authorized for distribution. By adhering to copyright laws, users can enjoy the benefits of free access to knowledge while supporting the authors and publishers who make these resources available. In conclusion, the availability of Diagram Of 3406b Cat Engine free PDF books and manuals for download has revolutionized the way we access and consume knowledge. With just a few clicks, individuals can explore a vast collection of resources across different disciplines, all free of charge. This accessibility empowers individuals to become lifelong learners, contributing to personal growth, professional development, and the advancement of society as a whole. So why not unlock a world of knowledge today? Start exploring the vast sea of free PDF books and manuals waiting to be discovered right at your fingertips.

FAQs About Diagram Of 3406b Cat Engine Books

How do I know which eBook platform is the best for me? Finding the best eBook platform depends on your reading preferences and device compatibility. Research different platforms, read user reviews, and explore their features before making a choice. Are free eBooks of good quality? Yes, many reputable platforms offer high-quality free eBooks, including classics and public domain works. However, make sure to verify the source to ensure the eBook credibility. Can I read eBooks without an eReader? Absolutely! Most eBook platforms offer web-based readers or mobile apps that allow you to read eBooks on your computer, tablet, or smartphone. How do I avoid digital eye strain while reading eBooks? To prevent digital eye strain, take regular breaks, adjust the font size and background color, and ensure proper lighting while reading eBooks. What the advantage of interactive eBooks? Interactive eBooks incorporate multimedia elements, quizzes, and activities, enhancing the reader engagement and providing a more immersive learning experience. Diagram Of 3406b Cat Engine is one of the best book in our library for free trial. We provide copy of Diagram Of 3406b Cat Engine in digital format, so the

resources that you find are reliable. There are also many Ebooks of related with Diagram Of 3406b Cat Engine. Where to download Diagram Of 3406b Cat Engine online for free? Are you looking for Diagram Of 3406b Cat Engine PDF? This is definitely going to save you time and cash in something you should think about.

Find Diagram Of 3406b Cat Engine :

[m g magnette](#)

[*map knowledge practice test massachusetts*](#)

[~~lush short stories~~](#)

[~~marlowe and shakespeare~~](#)

malala and the right to learn

[~~map of pride and prejudice~~](#)

magic school bus earthquakes

making connections 3

[marc chagall paintings fiddler on the roof](#)

manager food handlers study guide

[martha stewart blondies recipe](#)

magic knight manga

make a cpn

[*mantra of hanuman*](#)

macs ac certification lookup

Diagram Of 3406b Cat Engine :