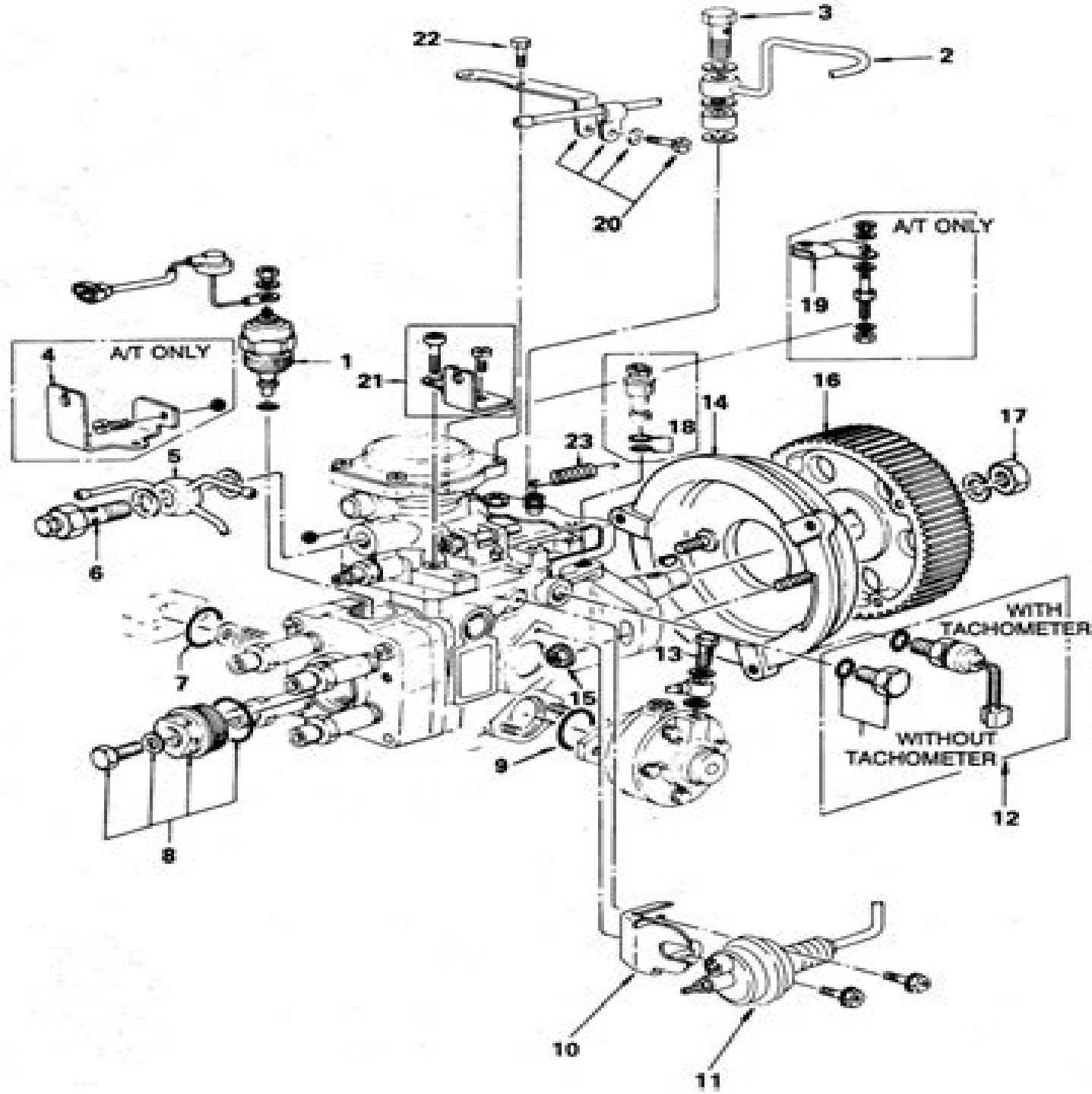


1. Fuel cutout solenoid
2. Fuel line
3. Fuel line joint bolt
4. Governor bracket, A/T only
5. Overflow line
6. Overflow line bolt
7. Timer O-ring
8. High pressure plug
9. O-ring, CSD
10. Actuator bracket
11. Fast idle actuator
12. Tachometer pickup or plug and O-ring
13. Advancer joint bolt
14. Front bracket
15. Front bracket nut
16. Timing pulley
17. Timing pulley nut
18. Regulating valve O-ring (except Calif.)
19. Plate assembly
20. Fuel pipe bracket
21. Actuator to head bracket
22. Aneroid compensator cover screw
23. Spring lever



Citroen Zx 14 Engine Fuel System

JG Myers



Citroen Zx 14 Engine Fuel System

Autocar & Motor ,1994-06 [Cars](#) , **Acid News** ,1995 **Motor Cycling and Motoring** ,1977 **The Yugo**
Jason Vuic,2011-03-01 Six months after its American introduction in 1985 the Yugo was a punch line within a year it was a staple of late night comedy By 2000 NPR s Car Talk declared it the worst car of the millennium And for most Americans that s where the story begins and ends Hardly The short unhappy life of the car the men who built it the men who imported it and the decade that embraced and discarded it is rollicking and astounding and one of the greatest untold business cum morality tales of the 1980s Mix one rabid entrepreneur several thousand good communists a willing U S State Department the shortsighted Detroit auto industry and improvident bankers shake vigorously and you ve got The Yugo The Rise and Fall of the Worst Car in History Brilliantly re creating the amazing confluence of events that produced the Yugo Yugoslav expert Jason Vuic uproariously tells the story of the car that became an international joke The American CEO who happens upon a Yugo right when his company needs to find a new import or go under A State Department eager to aid Yugoslavia s nonaligned communist government Zastava Automobiles which overhauls its factory to produce an American ready Yugo in six months And a hole left by Detroit in the cheap subcompact market that creates a race to the bottom that leaves the Yugo at the bottom **Autocar** ,2002 [Road & Track](#) ,1982 **The Sports Car** Colin Campbell,2012-12-06 1 The Development of the Sports Car Motor sport The sports car The history of the sports car The first sports car The fabulous years Historic sports cars The future of the sports car 2 The Engine Combustion Cylinder head history Combustion chamber research Volumetric efficiency Knock Limiting compression ratio Types of combustion chamber 3 The Engine Induction and Exhaust The induction system The 4 cylinder in line engine The 6 cylinder in line engine The V 8 engine Ramming induction pipes Ramming pipe theory Forward ram intakes Cold air intakes **The Motor** ,1975 *The Automotive Chassis*
Giancarlo Genta,Lorenzo Morello,2019-12-24 This textbook draws on the authors experience gained by teaching courses for engineering students on e g vehicle mechanics vehicle system design and chassis design and on their practical experience as engineering designers for vehicle and chassis components at a major automotive company The book is primarily intended for students of automotive engineering but also for all technicians and designers working in this field Other enthusiastic engineers will also find it to be a useful technical guide The present volume *The Automotive Chassis Volume 1 Component Design* focuses on automotive chassis components such as the structure which is usually a ladder framework and supports all the remaining components of the vehicle the suspension for the mechanical linkage of the wheels the wheels and tires the steering system the brake system and the transmission system used to apply engine torque to the driving wheels This thoroughly revised and updated second edition presents recent developments particularly in brake steering suspension and transmission subsystems Special emphasis is given to modern control systems and control strategies **National**

Automotive Sampling System, Crashworthiness Data System ,1995 **Information Technology for Balanced Manufacturing Systems** Weiming Shen,2006-09-06 BASYS conferences were initially organized to promote the development of balanced automation systems The first BASYS conference was successfully launched in Victoria Brazil in 1995 BASYS 06 is the 7th edition in this series This book comprises three invited keynote papers and forty nine regular papers accepted for presentation at the conference All together these papers will make significant contributions to the literature of Intelligent Technology for Balanced Manufacturing Systems **F&S Index Europe Annual** ,1996 **The Wankel Engine: Design, Development, Applications** Jan P. Norbye,1971 **Country Life Illustrated** ,1978-08

Forward Drive Jim Motavalli,2014-10-14 This comprehensive account of the past present and future of the automobile examines the key trends key technologies and key players involved in the race to develop clean environmentally friendly vehicles that are affordable and that do not compromise on safety or design Undertaking a rigorous interrogation of our global dependency on oil the author demonstrates just how unwise and unnecessary this is in light of current developments such as the fuel cell revolution and the increasing viability of hybrid cars which use both petrol and electricity innovations that could signal a new era of clean sustainable energy The arguments put forward draw on support from an eclectic range of sources including industry insiders scientists economists and environmentalists to make for an enlightening read Country Life ,1978 **Black Swan Green** David Mitchell,2006-04-11 By the New York Times bestselling author of *The Bone Clocks* and *Cloud Atlas* Longlisted for the Man Booker Prize Selected by Time as One of the Ten Best Books of the Year A New York Times Notable Book Named One of the Best Books of the Year by The Washington Post Book World The Christian Science Monitor Rocky Mountain News and Kirkus Reviews A Los Angeles Times Book Prize Finalist Winner of the ALA Alex Award Finalist for the Costa Novel Award From award winning writer David Mitchell comes a sinewy meditative novel of boyhood on the cusp of adulthood and the old on the cusp of the new *Black Swan Green* tracks a single year in what is for thirteen year old Jason Taylor the sleepest village in muddiest Worcestershire in a dying Cold War England 1982 But the thirteen chapters each a short story in its own right create an exquisitely observed world that is anything but sleepy A world of Kissingeresque realpolitik enacted in boys games on a frozen lake of nightcreeping through the summer backyards of strangers of the tabloid fueled thrills of the Falklands War and its human toll of the cruel luscious Dawn Madden and her power hungry boyfriend Ross Wilcox of a certain Madame Eva van Outryve de Crommelynck an elderly bohemian emigr who is both more and less than she appears of Jason s search to replace his dead grandfather s irreplaceable smashed watch before the crime is discovered of first cigarettes first kisses first Duran Duran LPs and first deaths of Margaret Thatcher s recession of Gypsies camping in the woods and the hysteria they inspire and even closer to home of a slow motion divorce in four seasons Pointed funny profound left field elegiac and painted with the stuff of life *Black Swan Green* is David Mitchell s subtlest and most effective achievement to date Praise for *Black Swan Green* David Mitchell has created one of the most endearing smart and

funny young narrators ever to rise up from the pages of a novel The always fresh and brilliant writing will carry readers back to their own childhoods This enchanting novel makes us remember exactly what it was like The Boston Globe David Mitchell is a prodigiously daring and imaginative young writer As in the works of Thomas Pynchon and Herman Melville one feels the roof of the narrative lifted off and oneself in thrall Time **100 Ways to Create a Great Ad** Tim Collins,2014-08-11 100 Ways to Create a Great Ad is an accessible introduction to creative advertising techniques Featuring 100 spreads detailing concepts such as the Reveal and the Mash up it presents the key methods of devising print television radio direct and online ideas The process of creating an ad can be divided into three steps planning concept creation crafting This book provides a straightforward guide to concept creation including methods that are applicable across media and offering wide ranging examples from international campaigns Aimed at agency creatives planners and account handlers as well as graphic designers marketing professionals and students 100 Ways to Create a Great Ad has wide ranging appeal *The Times Index* ,2011 Indexes the Times Sunday times and magazine Times literary supplement Times educational supplement Times educational supplement Scotland and the Times higher education supplement

erowid library bookstore yanomamö the last days of eden - Feb 09 2023

web dec 21 2015 the last days of eden rating author s napoleon a chagnon pages 309 pub date 1992 edition s at erowid 1992 pb 1st ed fine publisher harcourt brace isbn 0156996820 back cover

yanomamö the last days of eden chagnon napoleon a 1938 - Jul 14 2023

web yanomamö the last days of eden by chagnon napoleon a 1938 publication date 1992 topics yanomamo indians publisher san diego harcourt brace jovanovich collection inlibrary printdisabled internetarchivebooks digitizing sponsor 14 day loan required to access pdf files

yanomamo the last days of eden powell s books - Jul 02 2022

web yanomamo the last days of eden by napoleon a chagnon available in trade paperback on powells com also read synopsis and reviews chagnon first made contact with the yanomamö a now imperiled tribe of amazon indians in 1964

editions of the yanomamö by napoleon a chagnon goodreads - Mar 10 2023

web jan 1 1997 the yanomamo case studies in cultural anthropology by napoleon a chagnon 2011 12 15 yanomamo the last days of eden paperback published december 31st 1998 by time life uk paperback author s napoleon a chagnon n chagnon isbn 9780705425094

yanomamo the last days of eden open library - Nov 06 2022

web oct 16 1992 yanomamo the last days of eden by napoleon a chagnon october 16 1992 harvest books edition in english

yanomamo the last days of eden by napoleon a chagnon - Apr 30 2022

web buy yanomamo the last days of eden by napoleon a chagnon online at alibris we have new and used copies available in 2 editions starting at 1 45 shop now

the yanomamö quotes by napoleon a chagnon goodreads - Mar 30 2022

web many amused yanomamo onlookers quickly learned the english phrase oh shit and once they discovered that the phrase offended and irritated the missionaries they used it as often as they could in their presence napoleon a chagnon the yanomamö

yanomamo the last days of eden amazon com br - Jan 28 2022

web the last chapter of this book points fingers at catholic and protestant missionaries who have created dependent peasants out of the once wild yanomamo it describes how brazilian gold miners have poisoned their rivers with mercury and killed those who got in

yanomamo the last days of eden paperback 12 jun 1992 - Sep 04 2022

web buy yanomamo the last days of eden reprint by chagnon napoleon a isbn 9780156996822 from amazon s book store everyday low prices and free delivery on eligible orders

yanomamö the last days of eden google books - Aug 15 2023

web yanomamö the last days of eden author napoleon a chagnon photographs by napoleon a chagnon edition illustrated revised publisher harcourt brace jovanovich 1992 original from

yanomamö the last days of eden 10 moral disagreements - Dec 07 2022

web yanomamö the last days of eden by napoleon a chagnon book moral disagreements edition 1st edition first published 2000 imprint routledge pages 11 ebook isbn 9780203134436 share abstract from napoleon a chagnon yanomamö the last days of eden san diego ca harcourt 1992 pp 144 45 147 149 53 and 182 89

yanomamo the last days of eden amazon de - Feb 26 2022

web wähle die kategorie aus in der du suchen möchtest

yanomamo the last days of eden by napoleon a chagnon - Dec 27 2021

web jun 13 2023 yanomamo ebay last days of eden paradise 0c13 yanomamo the last day of eden online reading at yanomamo the fierce people summary amp study guide napoleon chagnon anthropology iresearchnet d o c u m e n t a r y e d u c a t i o n a l r e s o r d e r the yanomami an isolated yet imperiled tribe napoleon chagnon yanomamo

yanomamo the last days of eden amazon com - Jun 13 2023

web oct 16 1992 yanomamo the last days of eden chagnon napoleon a 9780156996822 amazon com books books politics social sciences social sciences buy used 13 55 get fast free shipping with amazon prime free delivery tuesday may 30 on orders shipped by amazon over 25

yanomam o the last days of eden by napoleon a chagnon - Jun 01 2022

web find many great new used options and get the best deals for yanomam o the last days of eden by napoleon a chagnon paperback 1996 at the best online prices at ebay free shipping for many products

yanomamö the last days of eden in searchworks catalog - Oct 05 2022

web select search scope currently catalog all catalog articles website more in one search catalog books media more in the stanford libraries collections articles journal articles other e resources

yanomamo the last days of eden by napoleon a chagnon goodreads - May 12 2023

web yanomamo the last days of eden napoleon a chagnon 3 59 1 271 ratings72 reviews want to read buy on amazon rate this book chagnon first made contact with the yanomamö a now imperiled tribe of amazon indians in 1964 he gives an unforgettable portrait of an extraordinary people in this eloquent meticulously detailed and often

yanomamo the last days of eden chagnon napoleon a - Apr 11 2023

web arama yapmak istediğiniz kategoriye seçin

yanomamo the last days of eden paperback oct 16 1992 - Aug 03 2022

web the last chapter of this book points fingers at catholic and protestant missionaries who have created dependent peasants out of the once wild yanomamo it describes how brazilian gold miners have poisoned their rivers with mercury and killed those who got in

yanomamo the last days of eden scispace by typeset - Jan 08 2023

web abstract chagnon first made contact with the yanomamo a now imperiled tribe of amazon indians in 1964 he gives an unforgettable portrait of an extraordinary people in this eloquent meticulously detailed and often passionate book

grade9 exambank - Aug 23 2022

web science 9 notes from lord byng sec following the bc science 9 curriculum unit 1 chapter 1 atomic theory explains the composition and behaviour of matter fresh

rbse solutions for class 9 science in hindi medium english - Dec 15 2021

atoms elements and compounds set bc - Jan 28 2023

web june 7th 2018 study bc science 9 chapter 7 flashcards at proprofs bc science 9 chapter 7 page 292 practice problems 9 1 1 page 295 9 1 review questions june 2nd

bc science 9 chapter 9 re 2023 forms asmedu - Feb 14 2022

web rbse class 9 science solutions in english medium chapter 1 matter in our surroundings chapter 2 is matter around us pure chapter 3 atoms and molecules chapter 4

bc science 9 pre publication booklet - Aug 03 2023

web notes section 9 2 textbook 9 2 check your understanding p 329 17 10 may 2019 fri textbook chapter 9 review p 330 331 18 14 may 2019 tue textbook unit 3

bc science 9 chapter 11 flashcards quizlet - Apr 18 2022

web bc science 9 chapter 9 re selected works of joseph e stiglitz joseph e stiglitz 2019 04 11 this is the third volume in a new definitive six volume edition of the works of

bc science 9 chapter 9 review full pdf cyberlab sutd edu sg - Jul 22 2022

web chemical energy is transformed into electric potential energy 2 in a battery what form of energy is converted into electric potential energy the amount of electric potential

bc science 9 chapter 9 review orientation sutd edu sg - Nov 25 2022

web 1 43 anything that has mass and volume click the card to flip flashcards learn test match created by acepilot12 science 9 notes from lord byng sec following the bc science 9

bc science 9 chapter 8 review flashcards quizlet - May 20 2022

web bc science 9

bc science 9 chapter 1 flashcards quizlet - Jun 20 2022

web vocabulary for chapter 11 of bc science 9 learn with flashcards games and more for free

science 9 physics mr lam s classroom vancouver school - Jul 02 2023

web bc science 9 workbook answers comprehension unit 1 atoms elements and safety do s and don ts compounds page 5 chapter 1 atomic theory explains the 1 unsafe

building student success b c curriculum - Apr 30 2023

web jun 9 2017 bibliographic information title bc science 9 connections work book author mcgraw hill ryerson limited publisher mcgraw hill ryerson limited 2017

bc science 9 chapter 9 flashcards quizlet - Sep 04 2023

web power the rate of change in energy at which work is done joule j the unit for measuring energy watt w one joule j of energy transformed in one second electrical power

chapter 2 elements are the building blocks of matter bc - Mar 18 2022

web jan 9 2019 bharat and science short answer type questions question 16 write the two important works done by bhaskaracharya i answer 1 bhaskaracharya i gave the pell s

bc science 9 connections work book google books - Feb 26 2023

web integrated physics and chemistry chapter 9 activities feb 07 2020 key topics keeping time calendar sundials hourglasses

clocks navigation sound frequency pitch sound

bc science 9 chemistry unit study guide pdf ion - Mar 30 2023

web this activity supports the ministry of education learning outcomes for grade 9 physical science atoms elements and compounds use modern atomic theory to describe

bc science 9 chapter 1 flashcards quizlet - Nov 13 2021

bc science 9 ms campbell s lessons oneschoolroom - Oct 25 2022

web start test reading comprehension mino ta kiyah by grey owl short story chapter 3 of 3 10 questions randomized from 30 overall top scores start test reading

bc science 9 chapter 9 review full pdf cyberlab sutd edu sg - Dec 27 2022

web bc science 9 ms campbell s lessons british columbia s grade 9 science curriculum bc science 9 quizlet lab safety metric system scientific method

science 9 mrs n gill - Oct 05 2023

web practice your skills using the student centre link on the bc science probe website click on the link below bc science probe 9 safety scientific method notes

bc science 9 workbook answers pdf mitosis ion scribd - Jun 01 2023

web personal awareness and responsibility positive personal and cultural identity social awareness and responsibility students are expected to know the following students

rbse solutions for class 9 science chapter 1 bharat and science - Jan 16 2022

web bc science 9 chapter 1 science 9 notes from lord byng sec following the bc science 9 curriculum unit 1 chapter 1 atomic theory explains the composition and behaviour of

bc science 9 chapter 1 flashcards quizlet - Sep 23 2022

web bc science 9 chapter 9 review lecture notes class 9 biology pdf book grade 9 biology ebook download sep 29 2021 the book class 9 biology lecture notes pdf

pre intermediate final test worksheet live worksheets - Sep 23 2021

web jun 18 2020 pre intermediate final test rostya31 member for 4 years 5 months age 12 18 level pre intermediate language english en id 278709 18 06 2020 country

pre intermediate test 1 essentialenglish review - Jan 08 2023

web elementary pre intermediate 1 pronouns adverbs adjectives determiners intermediate upper intermediate 2 pronouns adverbs adjectives determiners elementary pre

test builder headway student s site oxford university press - Aug 15 2023

web test builder headway student s site oxford university press students headway student s site pre intermediate fourth edition test builder grammar vocabulary

a2 english level pre intermediate learnenglish teens - Jan 28 2022

web online english level test understand your english level a1 english level elementary a2 english level pre intermediate b1 english level intermediate b2 english level upper

pre intermediate seviye nedir foxfa gen tr - Oct 25 2021

web pre intermediate b1 mi bunlar temel başlangıç düzeyi beginner a1 temel üstü düzey elementary a2 orta düzey pre intermediate b1 orta üstü düzey intermediate

final test pre intermediate pdf grammar scribd - Dec 07 2022

web may 2 2018 class pre intermediate date may 2nd 2018 final fill in the gaps with the correct tense past simple or present perfect 1 simple 1 a you taste ever

pre intermediate 1 final exam pdf leisure scribd - Sep 04 2022

web pre intermediate 1 final exam free download as word doc doc docx pdf file pdf text file txt or read online for free english

esame lıstesı ve aşı ve test takıp formu yayınlandı - Oct 05 2022

web oct 26 2021 esame lıstesı ve aşı ve test takıp formu yayınlandı 26 ekim 2021 salı 2021 2022 futbol sezonunda a takımlar düzeyinde kullanıcak olan 21 kişilik

a2 pre intermediate test english - Feb 26 2022

web a1 elementary a2 pre intermediate b1 intermediate b1 upper intermediate b2 pre advanced exams a2 key ket b1 preliminary pet b2 first fce ielt ielts toe

pre intermediate final test quizizz - Apr 11 2023

web pre intermediate final test quiz for professional development find other quizzes for english and more on quizizz for free

a2 pre intermediate learnenglish british council - Jun 01 2022

web online english level test understand your english level a1 elementary a2 pre intermediate b1 intermediate b2 upper intermediate c1 advanced c2 proficiency

[final test english pre intermediate test worksheet](#) - Nov 06 2022

web tests and exams worksheets test 1 level intermediate age 16 100 downloads 139 varied english test level elementary age 7 17 downloads 2837 written test level

[profile 1 pre intermediate workbook langpath](#) - Aug 03 2022

web oct 7 2020 profile 1 pre intermediate wb profile teaches school school college students about enterprise and the

language of enterprise concurrently this three level

pre intermediate solutions oxford university press - Mar 30 2022

web solutions pre intermediate 2nd edition grammar everyday english workbook audio 58mb zip

pre intermediate hangi seviyedir bukytalk - Nov 25 2021

web bağımsız kullanıcı yetkinliklerinin ilk seviyesi b1 pre intermediate seviyesidir genel olarak b1 seviyesindeki öğrencilerin yapabildikleri ise aşağıdaki gibidir tecrübelerini ve

final test pre intermediate worksheet live worksheets - Jul 14 2023

web may 12 2021 final test pre intermediate ana angeles herrera member for 2 years 2 months age 13 level pre intermediate language english en id 1710225

final test english pre intermediate pdf style fiction scribd - Feb 09 2023

web final test pre intermediate level name date i present simple and present continuous 1 the train is never late it always leave on time 2

profile 1 pre intermediate student s book pdf langpath - Jul 02 2022

web oct 7 2020 profile 1 pre intermediate student s book pdf profile teaches college students about enterprise and the language of enterprise concurrently this three level

pre intermediate third edition english file oxford university press - Apr 30 2022

web english file third edition pre intermediate choose a resource to help you learn english with english file

solutions pre intermediate final test live worksheets - May 12 2023

web may 19 2020 solutions pre intermediate final test solutions pre intermediate final test 10 sec palestine and israel one minute history 4k alexandra member for 3 years

pre intermediate seviyesi english school - Dec 27 2021

web pre intermediate seviyesinde artık yüzeysel bir iletişim kurmak yerine zenginleşen kelime dağarcığınız ile daha detaylı daha derin bir iletişim kurabiliyor olacaksınız bu seviyede

ef pre intermediate file 1 final test worksheet - Jun 13 2023

web live worksheets english english as a second language esl vocabulary and grammar ef pre intermediate file 1 final test ef pre intermediate file 1 final

final test pre intermediate - Mar 10 2023

web final test pre intermediate units 4c 6a grammar 1 underline the correct form final test total 100 jazyková škola mundo s r o final english test level b1

The Enigmatic Realm of **Citroen Zx 14 Engine Fuel System**: Unleashing the Language is Inner Magic

In a fast-paced digital era where connections and knowledge intertwine, the enigmatic realm of language reveals its inherent magic. Its capacity to stir emotions, ignite contemplation, and catalyze profound transformations is nothing lacking extraordinary. Within the captivating pages of **Citroen Zx 14 Engine Fuel System** a literary masterpiece penned with a renowned author, readers embark on a transformative journey, unlocking the secrets and untapped potential embedded within each word. In this evaluation, we shall explore the book's core themes, assess its distinct writing style, and delve into its lasting effect on the hearts and minds of those who partake in its reading experience.

https://offsite.creighton.edu/files/virtual-library/Documents/free_online_accounting_textbook.pdf

https://offsite.creighton.edu/files/virtual-library/Documents/free_twister_quilt_patterns.pdf

https://offsite.creighton.edu/files/virtual-library/Documents/freon_trucking_owner.pdf

Table of Contents Citroen Zx 14 Engine Fuel System

1. Understanding the eBook Citroen Zx 14 Engine Fuel System
 - The Rise of Digital Reading Citroen Zx 14 Engine Fuel System
 - Advantages of eBooks Over Traditional Books
2. Identifying Citroen Zx 14 Engine Fuel System
 - Exploring Different Genres
 - Considering Fiction vs. Non-Fiction
 - Determining Your Reading Goals
3. Choosing the Right eBook Platform
 - Popular eBook Platforms

- Features to Look for in an Citroen Zx 14 Engine Fuel System
- User-Friendly Interface
- 4. Exploring eBook Recommendations from Citroen Zx 14 Engine Fuel System
 - Personalized Recommendations
 - Citroen Zx 14 Engine Fuel System User Reviews and Ratings
 - Citroen Zx 14 Engine Fuel System and Bestseller Lists
- 5. Accessing Citroen Zx 14 Engine Fuel System Free and Paid eBooks
 - Citroen Zx 14 Engine Fuel System Public Domain eBooks
 - Citroen Zx 14 Engine Fuel System eBook Subscription Services
 - Citroen Zx 14 Engine Fuel System Budget-Friendly Options
- 6. Navigating Citroen Zx 14 Engine Fuel System eBook Formats
 - ePub, PDF, MOBI, and More
 - Citroen Zx 14 Engine Fuel System Compatibility with Devices
 - Citroen Zx 14 Engine Fuel System Enhanced eBook Features
- 7. Enhancing Your Reading Experience
 - Adjustable Fonts and Text Sizes of Citroen Zx 14 Engine Fuel System
 - Highlighting and Note-Taking Citroen Zx 14 Engine Fuel System
 - Interactive Elements Citroen Zx 14 Engine Fuel System
- 8. Staying Engaged with Citroen Zx 14 Engine Fuel System
 - Joining Online Reading Communities
 - Participating in Virtual Book Clubs
 - Following Authors and Publishers Citroen Zx 14 Engine Fuel System
- 9. Balancing eBooks and Physical Books Citroen Zx 14 Engine Fuel System
 - Benefits of a Digital Library
 - Creating a Diverse Reading Collection Citroen Zx 14 Engine Fuel System
- 10. Overcoming Reading Challenges
 - Dealing with Digital Eye Strain
 - Minimizing Distractions
 - Managing Screen Time
- 11. Cultivating a Reading Routine Citroen Zx 14 Engine Fuel System

- Setting Reading Goals Citroen Zx 14 Engine Fuel System
- Carving Out Dedicated Reading Time
- 12. Sourcing Reliable Information of Citroen Zx 14 Engine Fuel System
 - Fact-Checking eBook Content of Citroen Zx 14 Engine Fuel System
 - Distinguishing Credible Sources
- 13. Promoting Lifelong Learning
 - Utilizing eBooks for Skill Development
 - Exploring Educational eBooks
- 14. Embracing eBook Trends
 - Integration of Multimedia Elements
 - Interactive and Gamified eBooks

Citroen Zx 14 Engine Fuel System Introduction

Free PDF Books and Manuals for Download: Unlocking Knowledge at Your Fingertips In today's fast-paced digital age, obtaining valuable knowledge has become easier than ever. Thanks to the internet, a vast array of books and manuals are now available for free download in PDF format. Whether you are a student, professional, or simply an avid reader, this treasure trove of downloadable resources offers a wealth of information, conveniently accessible anytime, anywhere. The advent of online libraries and platforms dedicated to sharing knowledge has revolutionized the way we consume information. No longer confined to physical libraries or bookstores, readers can now access an extensive collection of digital books and manuals with just a few clicks. These resources, available in PDF, Microsoft Word, and PowerPoint formats, cater to a wide range of interests, including literature, technology, science, history, and much more. One notable platform where you can explore and download free Citroen Zx 14 Engine Fuel System PDF books and manuals is the internet's largest free library. Hosted online, this catalog compiles a vast assortment of documents, making it a veritable goldmine of knowledge. With its easy-to-use website interface and customizable PDF generator, this platform offers a user-friendly experience, allowing individuals to effortlessly navigate and access the information they seek. The availability of free PDF books and manuals on this platform demonstrates its commitment to democratizing education and empowering individuals with the tools needed to succeed in their chosen fields. It allows anyone, regardless of their background or financial limitations, to expand their horizons and gain insights from experts in various disciplines. One of the most significant advantages of downloading PDF books and manuals lies in their portability. Unlike physical copies, digital books can be stored and carried on a single device, such as a tablet or smartphone, saving valuable space and weight. This convenience makes it possible for readers to have

their entire library at their fingertips, whether they are commuting, traveling, or simply enjoying a lazy afternoon at home. Additionally, digital files are easily searchable, enabling readers to locate specific information within seconds. With a few keystrokes, users can search for keywords, topics, or phrases, making research and finding relevant information a breeze. This efficiency saves time and effort, streamlining the learning process and allowing individuals to focus on extracting the information they need. Furthermore, the availability of free PDF books and manuals fosters a culture of continuous learning. By removing financial barriers, more people can access educational resources and pursue lifelong learning, contributing to personal growth and professional development. This democratization of knowledge promotes intellectual curiosity and empowers individuals to become lifelong learners, promoting progress and innovation in various fields. It is worth noting that while accessing free Citroen Zx 14 Engine Fuel System PDF books and manuals is convenient and cost-effective, it is vital to respect copyright laws and intellectual property rights. Platforms offering free downloads often operate within legal boundaries, ensuring that the materials they provide are either in the public domain or authorized for distribution. By adhering to copyright laws, users can enjoy the benefits of free access to knowledge while supporting the authors and publishers who make these resources available. In conclusion, the availability of Citroen Zx 14 Engine Fuel System free PDF books and manuals for download has revolutionized the way we access and consume knowledge. With just a few clicks, individuals can explore a vast collection of resources across different disciplines, all free of charge. This accessibility empowers individuals to become lifelong learners, contributing to personal growth, professional development, and the advancement of society as a whole. So why not unlock a world of knowledge today? Start exploring the vast sea of free PDF books and manuals waiting to be discovered right at your fingertips.

FAQs About Citroen Zx 14 Engine Fuel System Books

1. Where can I buy Citroen Zx 14 Engine Fuel System books? Bookstores: Physical bookstores like Barnes & Noble, Waterstones, and independent local stores. Online Retailers: Amazon, Book Depository, and various online bookstores offer a wide range of books in physical and digital formats.
2. What are the different book formats available? Hardcover: Sturdy and durable, usually more expensive. Paperback: Cheaper, lighter, and more portable than hardcovers. E-books: Digital books available for e-readers like Kindle or software like Apple Books, Kindle, and Google Play Books.
3. How do I choose a Citroen Zx 14 Engine Fuel System book to read? Genres: Consider the genre you enjoy (fiction, non-fiction, mystery, sci-fi, etc.). Recommendations: Ask friends, join book clubs, or explore online reviews and

- recommendations. Author: If you like a particular author, you might enjoy more of their work.
4. How do I take care of Citroen Zx 14 Engine Fuel System books? Storage: Keep them away from direct sunlight and in a dry environment. Handling: Avoid folding pages, use bookmarks, and handle them with clean hands. Cleaning: Gently dust the covers and pages occasionally.
 5. Can I borrow books without buying them? Public Libraries: Local libraries offer a wide range of books for borrowing. Book Swaps: Community book exchanges or online platforms where people exchange books.
 6. How can I track my reading progress or manage my book collection? Book Tracking Apps: Goodreads, LibraryThing, and Book Catalogue are popular apps for tracking your reading progress and managing book collections. Spreadsheets: You can create your own spreadsheet to track books read, ratings, and other details.
 7. What are Citroen Zx 14 Engine Fuel System audiobooks, and where can I find them? Audiobooks: Audio recordings of books, perfect for listening while commuting or multitasking. Platforms: Audible, LibriVox, and Google Play Books offer a wide selection of audiobooks.
 8. How do I support authors or the book industry? Buy Books: Purchase books from authors or independent bookstores. Reviews: Leave reviews on platforms like Goodreads or Amazon. Promotion: Share your favorite books on social media or recommend them to friends.
 9. Are there book clubs or reading communities I can join? Local Clubs: Check for local book clubs in libraries or community centers. Online Communities: Platforms like Goodreads have virtual book clubs and discussion groups.
 10. Can I read Citroen Zx 14 Engine Fuel System books for free? Public Domain Books: Many classic books are available for free as they're in the public domain. Free E-books: Some websites offer free e-books legally, like Project Gutenberg or Open Library.

Find Citroen Zx 14 Engine Fuel System :

[free online accounting textbook](#)

free twister quilt patterns

[freon trucking owner](#)

free quilling patterns

franklin roosevelt parents

fountas and pinnell leveled literacy intervention

[ftce practice questions](#)

french silk pie america's test kitchen

fun dmc band

fundamentals of security army

fundamental of physics

freedom seekers mc

fountas and pinnell reading assessment

free multiplication and division worksheets

fundraising cards samples

Citroen Zx 14 Engine Fuel System :