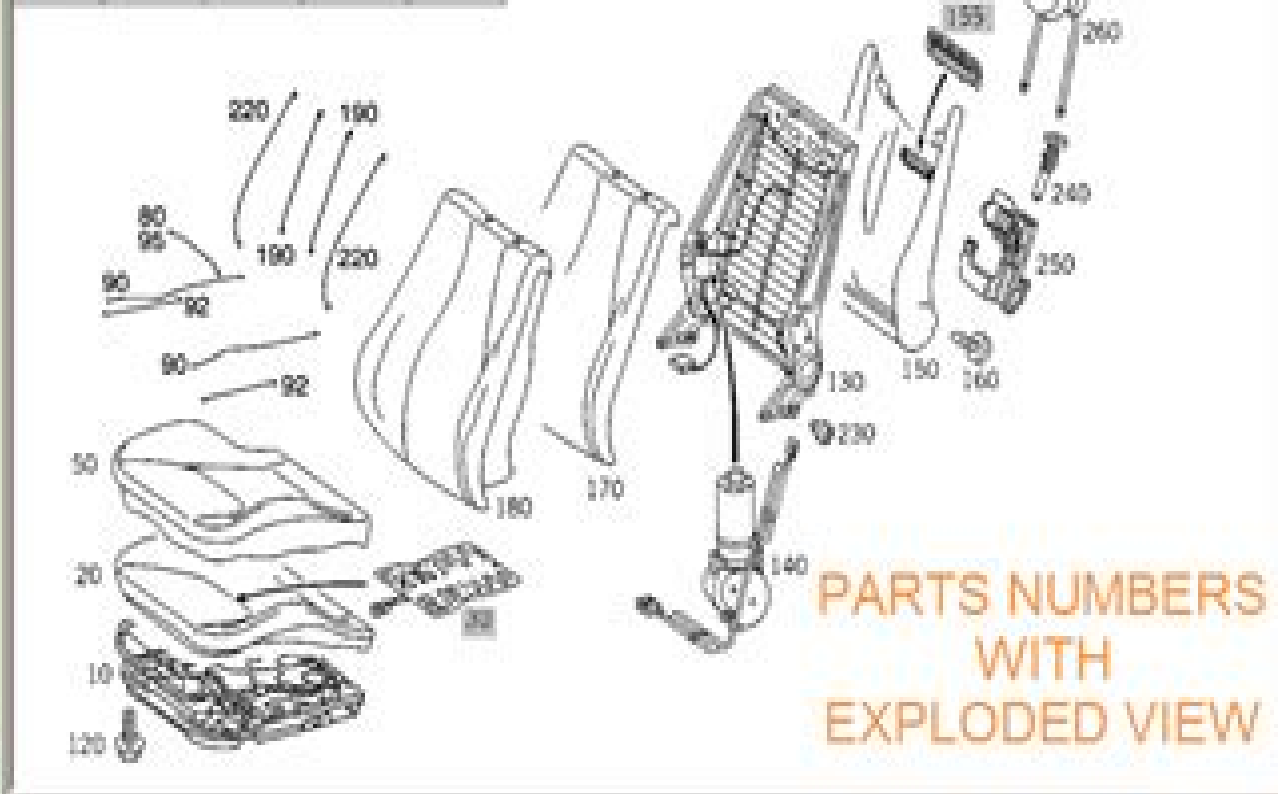




✓	Item	Part number	Designation/Description
<input type="checkbox"/>	10	A 220 910 03 22	CUSHION FRAME LEFT BOM From Chassis
<input type="checkbox"/>	20	A 220 910 02 50	REST LEFT SEAT BOM From Chassis Code: 401
<input type="checkbox"/>	50	A 220 910 05 46 8072	COVER LEATHER TRIM LEFT BOM From Color Set Code: 2706
<input type="checkbox"/>	80	A 460 924 00 29	CLAMP CROSS STAPLE UPHOLSTE LEFT SEAT 205PH
<input type="checkbox"/>	90	A 220 914 05 29	CLAMP LONGITUDINAL STAPLE LI OUT. LEFT/RIGHT, LEFT S BOM From Chassis
<input type="checkbox"/>	92	A 460 924 00 29	CLAMP LONGITUDINAL STAPLE LI CENTER LEFT SEAT 205PH
<input type="checkbox"/>	95	A 203 914 03 29	CLAMP CROSS STAPLE FRONT 20
<input type="checkbox"/>	100	A 006 968 09 78	CLIP STAPLE CUSHION BACK, L
<input type="checkbox"/>	110	A 006 968 12 78	CLIP UPHOLSTERY FO-CUSHION
<input type="checkbox"/>	120	N 924130 006006	SCREW LEFT SEAT CUSHION AT 5.7



PARTS NUMBERS WITH EXPLODED VIEW

Mercedes Benz Parts Repair Manual

G Orfield



Mercedes Benz Parts Repair Manual

roland support td 6v bedienungsanleitungen - Dec 27 2021

web support td 6v bedienungsanleitungen sh 4d entdecke den sh 4d synthesizer ein desktop kraftpaket mit hands on workflow und tiefgreifenden synthese tools für die entwicklung von sounds aus vergangenheit gegenwart und zukunft
roland support by product - Nov 06 2022

web get the latest updates drivers owner s manuals and support documents for your product email support get your questions answered by a roland product specialist register your product protect your investment register your product and stay up to date with the latest warranty information

roland td 6v manuals manualsbrain com - Sep 04 2022

web following pdf manuals are available roland td 6v user manual

roland td 6v owner s manual pdf download manualslib - Jun 13 2023

web view and download roland td 6v owner s manual online v drums percussion sound module td 6v drums pdf manual download

roland td 6v how to use this manual manualsdump com - Jul 02 2022

web setup guide p 15 for those using the td 6v for the first time this volume explains the preparations needed for playing sounds including how to set up the stand make pad settings and turn on the td 6v s power also provided are explanations of

roland v drums td 6v service notes pdf download manualslib - Aug 03 2022

web view and download roland v drums td 6v service notes online percussion sound module v drums td 6v recording equipment pdf manual download

roland td 6 owner s manual pdf download manualslib - Jan 08 2023

web view and download roland td 6 owner s manual online v drums percussion sound module td 6 drums pdf manual download

roland v tour td 6kw owner s manual pdf download - Apr 30 2022

web view and download roland v tour td 6kw owner s manual online v tour series drum system v tour td 6kw drums pdf manual download

roland td 6v bedienungsanleitung pdf herunterladen - Feb 26 2022

web inhaltszusammenfassung für roland td 6v seite 1 lesen sie bitte vor dem ersten gebrauch dieses gerätes sicherheitshinweise s 2 3 und wichtige hinweise s 4 5 diese abschnitte enthalten wichtige informationen zum richtigen

gebrauch ihres td 6v um einen optimalen Überblick über alle möglichkeiten ihres td
td 6k [roland td 6v manualzz](#) - Jan 28 2022

web roland v drums percussion sound module td 6v [midi](#) [roland percussion sound module td 6v](#)
[roland support td 6v owner s manuals](#) - Aug 15 2023

web get the latest updates drivers owner s manuals and support documents for your product quick start this channel
provides instructions of the roland s electronic musical instruments and equipment
[roland td 6v percussion module free service manual](#) - Mar 30 2022

web download service owner s manual for roland td 6v percussion sound module synthxl free service owner s manual
roland td 6v user manual 148 pages manualsdir com - Feb 09 2023

web module td 6v before using this unit carefully read the sections entitled using the unit safely p 2 3 and important notes p
4 5 these sections provide important information concerning the proper operation of the unit

roland td 6v percussion sound module - Dec 07 2022

web the first thing you ll notice about the td 6v percussion sound module is the new black look and cool blue lcd screen like
the original this 64 voice module serves up 1 024 of roland s best drum and percussion sounds and 262 backing instruments
but with newly created drum kits and patterns in the latest music styles

roland td 6v percussion sound module - Oct 05 2022

web discontinued the first thing you ll notice about the td 6v percussion sound module is the new black look and cool blue lcd
screen like the original this 64 voice module serves up 1 024 of roland s best drum and percussion sounds and 262 backing
instruments but with newly created drum kits and patterns in the latest music styles

roland td 6 service manual archive org - Jun 01 2022

web jun 18 2021 collection manuals contributions manuals additional collections service manual for the roland td 6v v
drums module addeddate 2021 06 18 15 06 23 identifier service manual td 6 v identifier ark ark 13960 t4kn0xx8v

roland td 6v manuals manualslib - Apr 11 2023

web manuals and user guides for roland td 6v we have 2 roland td 6v manuals available for free pdf download owner s
manual service notes roland td 6v owner s manual 148 pages v drums percussion sound module brand roland category drums
size 5 48 mb table of contents important notes 4 contents 6 table of contents 6 features 12

[roland corporation](#) - Mar 10 2023

web we would like to show you a description here but the site won t allow us

owner s manual roland corporation - May 12 2023

web oct 24 2003 owner s manual thank you and congratulations on your choice of the roland percussion sound module td 6v before using this unit carefully read the sections entitled using the unit safely p 2 3 and important notes p 4 5 these sections provide important information concerning the proper operation of the unit

roland destek td 6v kullanım kılavuzları owner s manual - Jul 14 2023

web links to owner s manual pages system update version 2 0 is now available for the xs 84h xs 83h and xs 82h system updates are now available for the vc 1 sh the vc 1 hs and vc 1 dl hızlı başlangıç video Ürün veri tabanı destek haberleri quick links boss Ürün desteği gpl lgpl

bryllantini al polo nord ebook by monica zanettin rakuten kobo - Jan 27 2023

web read bryllantini al polo nord by monica zanettin available from rakuten kobo bryllantini è una ragazzina ricca capricciosa e un po dispettosa che vive a parigi in

[interactivearchivist archivists org](http://interactivearchivist.archivists.org) - Oct 24 2022

web interactivearchivist archivists org

bryllantini al polo nord zanettin monica libreria ibs - Nov 24 2022

web bryllantini al polo nord è un ebook di zanettin monica pubblicato da giovane holden edizioni a 5 99 il file è in formato epub con light drm risparmia online con le offerte ibs

aydınlı grup u s polo assn aydinli - Jan 15 2022

web günümüzde amerika da 300 kadar polo kulübü ve 3000 den fazla polo oyuncusu bulunuyor dünyanın dört bir yanından polo sporcuları değişik sezonlarda bir araya

bryllantini al polo nord zapmap nissan co uk - Sep 22 2022

web geografia fisica tr di e pepoli routledge jean luc godard like many of his european contemporaries came to filmmaking through film criticism this collection of essays and

bryllantini al polo nord by monica zanettin goodreads - Sep 03 2023

web bryllantini è una ragazzina ricca capricciosa e un po dispettosa che vive a parigi in una lussuosa residenza in compagnia dei genitori e di un maggiordomo quando il padre

bryllantini al polo nord help environment harvard edu - Feb 13 2022

web now is bryllantini al polo nord below glitter assassino lonny walker 2022 10 14 glitter assassino il male che si concentra entro i confini di un paesotto della provincia sembra

bryllantini al polo nord italian edition kindle edition - Feb 25 2023

web bryllantini al polo nord italian edition ebook monica zanettin manicardi p amazon com au kindle store

bryllantini al polo nord pqr uiaf gov co - Apr 17 2022

web bryllantini al polo nord below the new cool neal bascomb 2011 a report on genius inventor dean kaman s first program follows a team of brilliant misfit high school

bryllantini al polo nord by monica zanettin is available in these - Dec 26 2022

web bryllantini è una ragazzina ricca capricciosa e un po' dispettosa che vive a parigi in una lussuosa residenza in compagnia dei genitori e di un maggiordomo quando il padre

bryllantini al polo nord by monica zanettin overdrive - Jul 01 2023

web apr 1 2018 bryllantini è una ragazzina ricca capricciosa e un po' dispettosa che vive a parigi in una lussuosa residenza in compagnia dei genitori e di un

bryllantini al polo nord publicaties sodexo nl - May 31 2023

web pages of bryllantini al polo nord a mesmerizing literary creation penned with a celebrated wordsmith readers attempt an enlightening odyssey unraveling the intricate

amazon com bryllantini al polo nord 9788832921632 books - Aug 22 2022

web amazon com bryllantini al polo nord 9788832921632 books skip to main content us delivering to lebanon 66952 choose location for most accurate options books select

bryllantini al polo nord brabantmagazines nl - Oct 04 2023

web unveiling the power of verbal artistry an mental sojourn through bryllantini al polo nord in a world inundated with monitors and the cacophony of instant interaction the profound

bryllantini al polo nord by monica zanettin barnes noble - Mar 29 2023

web apr 1 2018 bryllantini è una ragazzina ricca capricciosa e un po' dispettosa che vive a parigi in una lussuosa residenza in compagnia dei genitori e di

avrupa birliđi nin polonya ve macaristan sancıları İnsamer - May 19 2022

web nov 16 2018 yaptırım kararı için oy birliđi nin zaruri olduđunun farkında olan polonya ve macaristan ab zirvesi deki oylamada ellerindeki veto hakkıyla birbirlerini

bryllantini al polo nord by monica zanettin p manicardi - Jun 19 2022

web sep 15 2023 tantilibriperte bryllantini al polo nord zanettin con bryllantini al polo nord ospite ai venerdì bryllantini al polo nord co uk zanettin monica cold fish

bryllantini al polo nord paperback 10 april 2018 amazon com au - Apr 29 2023

web bryllantini al polo nord zanettin monica manicardi paola amazon com au books

bryllantini al polo nord on apple books - Aug 02 2023

web mar 31 2018 bryllantini è una ragazzina ricca capricciosa e un po' dispettosa che vive a parigi in una lussuosa residenza

in compagnia dei genitori e di un maggiordomo

bryllantini al polo nord grad learntotrade co uk - Mar 17 2022

web bryllantini al polo nord 3 3 nutritionally balanced food and achieve sustainable long term weight loss whilst positively impacting your cycling performance a follow up to alan s

bryllantini al polo nord by monica zanettin misscosplay biz - Jul 21 2022

web bryllantini è una ragazzina ricca capricciosa e un po' dispettosa che vive a Parigi in una lussuosa residenza in compagnia dei genitori e di un maggiordomo quando il padre

essentials of corporate finance 10th edition amazon com - Apr 23 2022

web mar 29 2019 ross essentials of corporate finance 10e focuses on what undergraduate students with widely varying backgrounds and interests need to carry away from a core course in business or corporate finance the goal is to convey the most important concepts and principles at a level that is approachable for the widest possible

essentials of corporate finance 11th edition mcgraw hill - Nov 30 2022

web essentials of corporate finance focuses on what undergraduate students with widely varying backgrounds need to carry away from a core course in business or corporate finance the goal is to convey the most important concepts at a level that is approachable for the widest possible audience

essentials of corporate finance the by stephen a ross - Feb 19 2022

web feb 19 2010 essentials of corporate finance the mcgraw hill irwin series in finance insurance and real estate stephen a ross randolph w westerfield bradford d jordan on amazon com free shipping on qualifying offers

9780078034756 essentials of corporate finance 8th edition - May 05 2023

web essentials of corporate finance 8th edition standalone book stephen a ross franco modigliani professor of financial economics professor randolph w westerfield robert r dockson deans chair in bus admin bradford d jordan professor published by mcgraw hill education 2013 isbn 10 0078034752 isbn 13 9780078034756

essentials of corporate finance 8th edition textbook solutions - Aug 28 2022

web the integrated solutions for ross s essentials of corporate finance have been specifically designed to help improve student performance meaning that students are prepared for and engaged in class and they can successfully solve problems and analyze the results

essentials of corporate finance with connect plus 8th eighth edition - Jul 07 2023

web jan 1 2013 essentials of corporate finance with connect plus 8th eighth edition by ross stephen westerfield randolph jordan bradford published by mcgraw hill irwin 2013 on amazon com free shipping on qualifying offers

essentials of corporate finance 8e paperback amazon com - Aug 08 2023

web essentials of corporate finance 8e paperback 4 1 out of 5 stars 253 paperback 6 offers from 60 00 essentials of corporate finance mcgraw hill irwin series in finance insurance and real estate stephen ross 4 5 out of 5 stars 383

essentials of corporate finance 8th edition textbook solutions - Sep 28 2022

web ch1 problem 1cq step by step solution step 1 of 7 finance is the field that particularly deals with the allocation of a firm s assets and liabilities as per the firm s requirements and capital structure step 2 of 7 a major areas of finance corporate finance investments financial institutions international finance

essentials of corporate finance eighth edition google books - Oct 10 2023

web jan 25 2013 essentials of corporate finance eighth edition authors stephen ross randolph westerfield bradford jordan publisher mcgraw hill us higher ed use legacy 2013 isbn 007751128x

essentials of corporate finance 9780077736538 quizlet - Jun 25 2022

web find step by step solutions and answers to exercise a from essentials of corporate finance 9780077736538 as well as thousands of textbooks so you can move forward with confidence try magic notes and save time

essentials of corporate finance 8th edition quizlet - Oct 30 2022

web our resource for essentials of corporate finance includes answers to chapter exercises as well as detailed information to walk you through the process step by step with expert solutions for thousands of practice problems you can take the guesswork out of studying and move forward with confidence

[essentials of corporate finance mcgraw hill](#) - Sep 09 2023

web eighth edition cornett adair and nofsinger finance applications and theory fifth edition cornett adair and nofsinger m finance fourth edition demello cases in finance third edition grinblatt editor stephen a ross mentor influence through generations grinblatt and titman financial markets and corporate strategy second

ebook online access for essentials of corporate finance 8e - Mar 03 2023

web feb 22 2013 ebook online access for essentials of corporate finance 8e with access code for connect plus 8th edition kindle edition by stephen ross author and essentials of corporate finance 8 e three of the most widely used business finance textbooks in the world along with fundamentals of investments valuation and

free download pdf essentials of corporate finance 8th edition - Jul 27 2022

web apr 14 2022 free download pdf essentials of corporate finance 8th edition standalone book copy link in description to download this book strongspan style font size 12pt font family times new roman serif color 222222 note this book is a standalone book and will not include access code card spanstrong the

essentials of corporate finance 8th edition standalone book goodreads - Jun 06 2023

web jan 1 1996 essentials of corporate finance 8th edition standalone book stephen a ross 3 46 197 ratings 6 reviews want

to read buy on amazon rate this book the integrated solutions for ross s essentials of corporate finance have been specifically designed to help improve student performance meaning that students are prepared for

[corporate finance principles and practice google books](#) - Mar 23 2022

web feb 12 2019 bibtex endnote refman familiarise yourself with the core concepts surrounding corporate finance with this reader friendly text corporate finance principles and practice 8th edition by denzil watson and antony head is a comprehensive guide to the field introducing you to the key topics and basic areas of

[ebook fundamentals of corporate finance google books](#) - May 25 2022

web apr 2 2021 up to date examples and cases in all chapters make the 8th edition a comprehensive manual of applied financial management covering financial hot topics and focus areas as well as a historic overview of developments in and lessons learned from equity and debt markets

essentials of corporate finance 8th edition abebooks - Apr 04 2023

web the integrated solutions for ross s essentials of corporate finance have been specifically designed to help improve student performance meaning that students are prepared for and engaged in class and they can successfully solve problems and analyze the results

[essentials of corporate finance edition 8 hardcover](#) - Feb 02 2023

web jan 25 2013 part 1 overview of financial management 1 introduction to financial management part 2 understanding financial statements and cash flow 2 financial statements taxes and cash flow 3 working with financial statements part 3 valuation of future cash flows 4 introduction to valuation the time value of money 5

[essentials of corporate finance rent 9780078034756 chegg](#) - Jan 01 2023

web jan 23 2013 coupon rent essentials of corporate finance 8th edition 9780078034756 and save up to 80 on textbook rentals and 90 on used textbooks get free 7 day instant etextbook access

Mercedes Benz Parts Repair Manual Book Review: Unveiling the Power of Words

In a global driven by information and connectivity, the power of words has be more evident than ever. They have the ability to inspire, provoke, and ignite change. Such is the essence of the book **Mercedes Benz Parts Repair Manual**, a literary masterpiece that delves deep to the significance of words and their impact on our lives. Published by a renowned author, this captivating work takes readers on a transformative journey, unraveling the secrets and potential behind every word. In this review, we will explore the book is key themes, examine its writing style, and analyze its overall effect on readers.

https://offsite.creighton.edu/files/virtual-library/Documents/jamie_kelly_dear_dumb_diary.pdf

https://offsite.creighton.edu/files/virtual-library/Documents/jazz_bass_chords.pdf

https://offsite.creighton.edu/files/virtual-library/Documents/is_blood_good_for_roses.pdf

Table of Contents Mercedes Benz Parts Repair Manual

1. Understanding the eBook Mercedes Benz Parts Repair Manual
 - The Rise of Digital Reading Mercedes Benz Parts Repair Manual
 - Advantages of eBooks Over Traditional Books
2. Identifying Mercedes Benz Parts Repair Manual
 - Exploring Different Genres
 - Considering Fiction vs. Non-Fiction
 - Determining Your Reading Goals
3. Choosing the Right eBook Platform
 - Popular eBook Platforms
 - Features to Look for in an Mercedes Benz Parts Repair Manual

- User-Friendly Interface
- 4. Exploring eBook Recommendations from Mercedes Benz Parts Repair Manual
 - Personalized Recommendations
 - Mercedes Benz Parts Repair Manual User Reviews and Ratings
 - Mercedes Benz Parts Repair Manual and Bestseller Lists
- 5. Accessing Mercedes Benz Parts Repair Manual Free and Paid eBooks
 - Mercedes Benz Parts Repair Manual Public Domain eBooks
 - Mercedes Benz Parts Repair Manual eBook Subscription Services
 - Mercedes Benz Parts Repair Manual Budget-Friendly Options
- 6. Navigating Mercedes Benz Parts Repair Manual eBook Formats
 - ePub, PDF, MOBI, and More
 - Mercedes Benz Parts Repair Manual Compatibility with Devices
 - Mercedes Benz Parts Repair Manual Enhanced eBook Features
- 7. Enhancing Your Reading Experience
 - Adjustable Fonts and Text Sizes of Mercedes Benz Parts Repair Manual
 - Highlighting and Note-Taking Mercedes Benz Parts Repair Manual
 - Interactive Elements Mercedes Benz Parts Repair Manual
- 8. Staying Engaged with Mercedes Benz Parts Repair Manual
 - Joining Online Reading Communities
 - Participating in Virtual Book Clubs
 - Following Authors and Publishers Mercedes Benz Parts Repair Manual
- 9. Balancing eBooks and Physical Books Mercedes Benz Parts Repair Manual
 - Benefits of a Digital Library
 - Creating a Diverse Reading Collection Mercedes Benz Parts Repair Manual
- 10. Overcoming Reading Challenges
 - Dealing with Digital Eye Strain
 - Minimizing Distractions
 - Managing Screen Time
- 11. Cultivating a Reading Routine Mercedes Benz Parts Repair Manual
 - Setting Reading Goals Mercedes Benz Parts Repair Manual

- Carving Out Dedicated Reading Time
- 12. Sourcing Reliable Information of Mercedes Benz Parts Repair Manual
 - Fact-Checking eBook Content of Mercedes Benz Parts Repair Manual
 - Distinguishing Credible Sources
- 13. Promoting Lifelong Learning
 - Utilizing eBooks for Skill Development
 - Exploring Educational eBooks
- 14. Embracing eBook Trends
 - Integration of Multimedia Elements
 - Interactive and Gamified eBooks

Mercedes Benz Parts Repair Manual Introduction

Mercedes Benz Parts Repair Manual Offers over 60,000 free eBooks, including many classics that are in the public domain. Open Library: Provides access to over 1 million free eBooks, including classic literature and contemporary works. Mercedes Benz Parts Repair Manual Offers a vast collection of books, some of which are available for free as PDF downloads, particularly older books in the public domain. Mercedes Benz Parts Repair Manual : This website hosts a vast collection of scientific articles, books, and textbooks. While it operates in a legal gray area due to copyright issues, its a popular resource for finding various publications. Internet Archive for Mercedes Benz Parts Repair Manual : Has an extensive collection of digital content, including books, articles, videos, and more. It has a massive library of free downloadable books. Free-eBooks Mercedes Benz Parts Repair Manual Offers a diverse range of free eBooks across various genres. Mercedes Benz Parts Repair Manual Focuses mainly on educational books, textbooks, and business books. It offers free PDF downloads for educational purposes. Mercedes Benz Parts Repair Manual Provides a large selection of free eBooks in different genres, which are available for download in various formats, including PDF. Finding specific Mercedes Benz Parts Repair Manual, especially related to Mercedes Benz Parts Repair Manual, might be challenging as theyre often artistic creations rather than practical blueprints. However, you can explore the following steps to search for or create your own Online Searches: Look for websites, forums, or blogs dedicated to Mercedes Benz Parts Repair Manual, Sometimes enthusiasts share their designs or concepts in PDF format. Books and Magazines Some Mercedes Benz Parts Repair Manual books or magazines might include. Look for these in online stores or libraries. Remember that while Mercedes Benz Parts Repair Manual, sharing copyrighted material without permission is not legal. Always ensure youre either creating your own or obtaining them from legitimate sources that allow sharing and downloading. Library Check if your local library offers eBook lending services. Many libraries

have digital catalogs where you can borrow Mercedes Benz Parts Repair Manual eBooks for free, including popular titles. Online Retailers: Websites like Amazon, Google Books, or Apple Books often sell eBooks. Sometimes, authors or publishers offer promotions or free periods for certain books. Authors Website Occasionally, authors provide excerpts or short stories for free on their websites. While this might not be the Mercedes Benz Parts Repair Manual full book, it can give you a taste of the authors writing style. Subscription Services Platforms like Kindle Unlimited or Scribd offer subscription-based access to a wide range of Mercedes Benz Parts Repair Manual eBooks, including some popular titles.

FAQs About Mercedes Benz Parts Repair Manual Books

What is a Mercedes Benz Parts Repair Manual PDF? A PDF (Portable Document Format) is a file format developed by Adobe that preserves the layout and formatting of a document, regardless of the software, hardware, or operating system used to view or print it. **How do I create a Mercedes Benz Parts Repair Manual PDF?** There are several ways to create a PDF: Use software like Adobe Acrobat, Microsoft Word, or Google Docs, which often have built-in PDF creation tools. Print to PDF: Many applications and operating systems have a "Print to PDF" option that allows you to save a document as a PDF file instead of printing it on paper. Online converters: There are various online tools that can convert different file types to PDF. **How do I edit a Mercedes Benz Parts Repair Manual PDF?** Editing a PDF can be done with software like Adobe Acrobat, which allows direct editing of text, images, and other elements within the PDF. Some free tools, like PDFescape or Smallpdf, also offer basic editing capabilities. **How do I convert a Mercedes Benz Parts Repair Manual PDF to another file format?** There are multiple ways to convert a PDF to another format: Use online converters like Smallpdf, Zamzar, or Adobe Acrobats export feature to convert PDFs to formats like Word, Excel, JPEG, etc. Software like Adobe Acrobat, Microsoft Word, or other PDF editors may have options to export or save PDFs in different formats. **How do I password-protect a Mercedes Benz Parts Repair Manual PDF?** Most PDF editing software allows you to add password protection. In Adobe Acrobat, for instance, you can go to "File" -> "Properties" -> "Security" to set a password to restrict access or editing capabilities. Are there any free alternatives to Adobe Acrobat for working with PDFs? Yes, there are many free alternatives for working with PDFs, such as: LibreOffice: Offers PDF editing features. PDFsam: Allows splitting, merging, and editing PDFs. Foxit Reader: Provides basic PDF viewing and editing capabilities. How do I compress a PDF file? You can use online tools like Smallpdf, ILovePDF, or desktop software like Adobe Acrobat to compress PDF files without significant quality loss. Compression reduces the file size, making it easier to share and download. Can I fill out forms in a PDF file? Yes, most PDF viewers/editors like Adobe Acrobat, Preview (on Mac), or various online tools allow you to fill out forms in PDF files by selecting text fields and entering information. Are there any restrictions when working with PDFs? Some PDFs might have

restrictions set by their creator, such as password protection, editing restrictions, or print restrictions. Breaking these restrictions might require specific software or tools, which may or may not be legal depending on the circumstances and local laws.

Find Mercedes Benz Parts Repair Manual :

jamie kelly dear dumb diary

~~jazz bass chords~~

is blood good for roses

isaac's storm audiobook

is the things we leave unfinished spicy

it ends with us flowers

jane's weekly defence

~~job blount cold call script~~

is ccrp certification worth it

is forgotten based on a true story

jeep jl service manual

~~is there a spanish disney princess~~

isee sample test lower level pdf

~~is detective ambrose autistic~~

is white magic good

Mercedes Benz Parts Repair Manual :