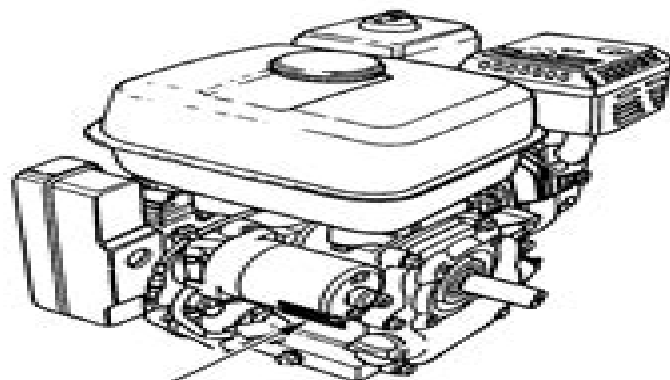


HONDA

GX120 · GX160 · GX200



Serial number and
engine type

OWNER'S MANUAL

32ZH7620
00X32-ZH7-6201

1

HONDA EUROPE N.V. (EEC)
www.honda-engines-eu.com



Honda Gx160 Repair Manual

Mervyn Bleach,Chris Rogers



Honda Gx160 Repair Manual

Honda CG125 Owners Workshop Manual Pete Shoemark, Jeremy Churchill, 2001-01-01 **Honda CG125 Owners Workshop Manual** Pete Shoemark, 1978 Models covered CG 125 124 cc **Honda C50, C70 & C90 1967 to 1999** Mervyn Bleach, Jeremy Churchill, 1999 With a Haynes manual you can do it yourself from simple maintenance to basic repairs Haynes writes every book based on a complete teardown of the motorcycle We learn the best ways to do a job and that makes it quicker easier and cheaper for you Our books have clear instructions and plenty of photographs that show each step Whether you re a beginner or a pro you can save big with Haynes Step by step procedures Easy to follow photos Complete troubleshooting section Valuable short cuts Color spark plug diagnosis Complete coverage for your Honda C50 C70 and C90 for 1967 thru 1999 Routine Maintenance Tune up procedures Engine clutch and transmission repair Cooling system Fuel and exhaust Emissions control Ignition and electrical systems Brakes wheels and tires Steering suspension and final drive Frame and bodywork Wiring diagrams **Honda CBR600RR** Matthew Coombs, 2006-01-01 Awarded the Nobel Prize for Literature in 1969 Samuel Beckett s influence on 20th century fiction and drama is immeasurable Published in conjunction with the RT Radio Telef s ireann Thomas Davis Lecture Series to mark the centenary of Beckett s birth Samuel Beckett 100 Years consists of thirteen essays by many of the foremost academics studying Beckett today Literary luminaries such as John Banville and Anthony Cronin line up alongside philosophers Dermot Moran and Richard Kearney to delve into the psyche of the man responsible for classics such as Murphy Krapp s Last Tape and Waiting for Godot while actors Barry McGovern and Rosemary Pountney describe what makes his works so theatrical The book is a challenging and serious look at Beckett s work and its impact on literature today *Honda CBR125R* Matthew Coombs, 2007 *Honda XR50R, CRF50F, XR70R and CRF70F, 2000-2016 Clymer Repair Manual* Clymer Publications, 2020-02-25 With the help of the Clymer Honda XR50R CRF50F XR70R and CRF70F 2000 2016 Repair Manual in your toolbox you will be able to maintain service and repair your Honda motorcycle to extend its life for years to come Clymer manuals are very well known for their thorough and comprehensive nature This manual is loaded with step by step procedures along with detailed photography exploded views charts and diagrams to enhance the steps associated with a service or repair task This Clymer manual is organized by subsystem with procedures grouped together for specific topics such as front suspension brake system engine and transmission It includes color wiring diagrams The language used in this Clymer repair manual is targeted toward the novice mechanic but is also very valuable for the experienced mechanic The service manual by Clymer is an authoritative piece of DIY literature and should provide you the confidence you need to get the job done and save money too **Honda XL/XR 250 & 500 Owners Workshop Manual** Pete Shoemark, 1981-01-01 *Honda XL/XR600R & XR650L/R, 1983 to 2014* Haynes Manuals N. America, Inc., 2014-06-04 Haynes offers the best coverage for cars trucks vans SUVs and motorcycles on

the market today Each manual contains easy to follow step by step instructions linked to hundreds of photographs and illustrations Included in every manual troubleshooting section to help identify specific problems tips that give valuable short cuts to make the job easier and eliminate the need for special tools notes cautions and warnings for the home mechanic color spark plug diagnosis and an easy to use index

Honda XL/XR 250 and 500 Owners Workshop Manual John Haynes,1988-03-31 Haynes offers the best coverage for cars trucks vans SUVs and motorcycles on the market today Each manual contains easy to follow step by step instructions linked to hundreds of photographs and illustrations Included in every manual troubleshooting section to help identify specific problems tips that give valuable short cuts to make the job easier and eliminate the need for special tools notes cautions and warnings for the home mechanic color spark plug diagnosis and an easy to use index

Honda CBR125 Service and Repair Manual, 04-10 Matthew Coombs,Martynn Randall,2012 This title provides a comprehensive service manual to all Honda CBR125s produced between 2004 and 2010

Honda MSX125 (GROM) '13 to '18 Editors of Haynes Manuals,2020-02-25 With a Haynes manual you can do it yourself from simple maintenance to basic repairs Haynes writes every book based on a complete teardown of the vehicle where we learn the best ways to do a job and that makes it quicker easier and cheaper for you Haynes books have clear instructions and hundreds of photographs that show each step Whether you are a beginner or a pro you can save big with a Haynes manual This manual features complete coverage for your Honda MSX125 motorcycle built between 2013 and 2018 covering Routine maintenance Tune up procedures Engine repair Cooling and heating Air conditioning Fuel and exhaust Emissions control Ignition Brakes Suspension and steering Electrical systems and Wiring diagrams

Honda Civic & CR-V Automotive Repair Manual Robert Phillip Maddox,John Harold Haynes,2008 Haynes offers the best coverage for cars trucks vans SUVs and motorcycles on the market today Each manual contains easy to follow step by step instructions linked to hundreds of photographs and illustrations Included in every manual troubleshooting section to help identify specific problems tips that give valuable short cuts to make the job easier and eliminate the need for special tools notes cautions and warnings for the home mechanic color spark plug diagnosis and an easy to use index

Honda C50, C70 and C90 Owners Workshop Manual Mervyn Bleach,Chris Rogers,1984

Honda XL/XR600R Owners Workshop Manual Alan Ahlstrand,John Harold Haynes,2001-07-07 Total Car Care is the most complete step by step automotive repair manual you ll ever use All repair procedures are supported by detailed specifications exploded views and photographs From the simplest repair procedure to the most complex trust Chilton s Total Car Care to give you everything you need to do the job Save time and money by doing it yourself with the confidence only a Chilton Repair Manual can provide

Honda PCX125 and 150: '10 to '19 Editors of Haynes Manuals,2020-02-25 With a Haynes manual you can do it yourself from simple maintenance to basic repairs Haynes writes every book based on a complete teardown of the vehicle where we learn the best ways to do a job and that makes it quicker easier and cheaper for you Haynes books have clear instructions and hundreds of photographs that show each step

Whether you are a beginner or a pro you can save big with a Haynes manual This manual features complete coverage for your Honda PCX125 and 150 built from 2010 to 2019 covering routine maintenance tune up procedures engine repair cooling and heating air conditioning fuel and exhaust emissions control ignition brakes suspension and steering electrical systems and wiring diagrams *Honda XL/XR600R & XR650L/R, 1983 to 2014* Editors of Haynes Manuals,2015-05-15 Complete coverage for your 1983 thru 2014 Honda XL XR600R and XR650L R Routine maintenance Tune up procedures Engine repair Cooling and heating Air conditioning Fuel and exhaust Emissions control Ignition Brakes Suspension and steering Electrical systems Wiring diagrams With a Haynes manual you can do it yourself from simple maintenance to basic repairs Haynes writes every book based on a complete teardown of the vehicle We learn the best ways to do a job and that makes it quicker easier and cheaper for you Our books have clear instructions and hundreds of photographs that show each step Whether you re a beginner or a pro you can save big with Haynes Step by step procedures Easy to follow photos Complete troubleshooting section Valuable short cuts Color spark plug diagnosis **Honda CB500F/X and CBR500R** Editors of Haynes Manuals,2021-08-10 This Haynes Manual features complete maintenance and repair information for Honda CB500F X and CBR500R motorcycles built from 2013 to 2020 [Honda CB500 Service and Repair Manual](#) Phil Mathers,2001 *Honda VFR800 VTEC '02 To '05* Matthew Coombs,2007-02-01 Haynes manuals are written specifically for the do it yourselfer yet are complete enough to be used by professional mechanics Since 1960 Haynes has produced manuals written from hands on experience based on a vehicle teardown with hundreds of photos and illustrations making Haynes the world leader in automotive repair information [Honda C50, C70 and C90 Owners' Workshop Manual](#) Mervyn Bleach,Jeremy Churchill,1990

Mechanical and Structural Vibrations: Theory and ... This text offers a modern approach to vibrations. Equal emphasis is given to analytical derivations, computational procedures, problem solving, and physical ... Mechanical Vibrations: Theory and Applications, SI Edition, ... This edition of Mechanical Vibrations: Theory and Applications has been adapted ... structural systems. If uncontrolled, vibration can lead to catastrophic ... Structural Vibrations: H. Ginsberg, Jerry: 9780471370840 Mechanical and Structural Vibrations provides an accessible, modern approach to vibrations that will enable students to understand and analyze sophisticated, ... theory and application to structural dynamics Page 1. Page 2. Page 3. MECHANICAL. VIBRATIONS. Page 4. Page 5. MECHANICAL. VIBRATIONS. THEORY AND APPLICATION TO. STRUCTURAL DYNAMICS. Third Edition. Michel ... Mechanical Vibrations: Theory and Application to Structural ... Mechanical Vibrations: Theory and Application to Structural Dynamics, Third Edition is a comprehensively updated new edition of the popular textbook. Mechanical and Structural Vibration: Theory and Applications by AH Nayfeh · 2001 · Cited by 25 — This book may serve as an excellent basis for courses on linear vibration of one-dof systems, discrete systems, and one-dimensional

continua. Especially, the ... Theory and Application to Structural Dynamics (Hardcover) Mechanical Vibrations: Theory and Application to Structural Dynamics, Third Edition is a comprehensively updated new edition of the popular textbook. It ... Theory and Application to Structural Dynamics, 3rd Edition Mechanical Vibrations: Theory and Application to Structural Dynamics, Third Edition is a comprehensively updated new edition of the popular textbook. Applied Structural and Mechanical Vibrations - Theory, ... This book deals primarily with fundamental aspects of engineering vibrations within the framework of the linear theory. Although it is true that in ... Mechanical and Structural Vibrations: Theory and ... Jan 25, 2001 — This text offers a modern approach to vibrations. Equal emphasis is given to analytical derivations, computational procedures, problem solving, ... Dodge Neon Repair: Service and Maintenance Cost The annual maintenance cost of a Dodge Neon is \$377. Repair and maintenance costs vary depending on age, mileage, location and shop. Most Common Dodge Neon ... DODGE NEON 2000-2003 (Hayne's Automotive Repair ... A copy that has been read, but remains in clean condition. All pages are intact, and the cover is intact. The spine and cover may show signs of wear. Repair Manuals & Literature for Dodge Neon Get the best deals on Repair Manuals & Literature for Dodge Neon when you shop the largest online selection at eBay.com. Free shipping on many items ... Dodge Neon Repair Near You By Top-Rated Mechanics Book highly rated Dodge Neon mechanics in your area. See maintenance schedules and costs. Get instant quotes for Dodge Neon repair and maintenance services. Dodge Neon Repair Support Questions · Ignition will not turn! · Horn location and. Replacement · My speedometer dont work at all · replace heater core how many hours. 2004 Dodge Neon Repair Pricing & Cost Estimates See the Blue Book Fair Repair Price Range for 2004 Dodge Neon common auto repairs near you. We use 90+ years of pricing know-how to show you what you should ... Dodge Neon Automotive Repair Manual - AbeBooks Title: Dodge Neon Automotive Repair Manual ; Publisher: Haynes Manuals Inc ; Publication Date: 2007 ; Binding: Soft cover ; Condition: New. 2000 Dodge Neon Rebuild Part 5 - YouTube Fuel Pump Dodge Neon diagnostics - YouTube Thermistors ISA Method - GCSE Physics GCSE Additional ... This is a method for the Thermistors ISA in the AQA GCSE Additional Science and GCSE Physics courses. Hypothesis. The higher the temperature the lower the ... Thermistor Isa Method Aqa Pdf Thermistor Isa Method Aqa Pdf. INTRODUCTION Thermistor Isa Method Aqa Pdf Full PDF. The effect of temperature on a thermistor | IOPSpark This experiment, for advanced level students, shows that the current through a thermistor increases with temperature, as more charge carriers become available. Physics ISA Thermistor generalised Paper 1 guide Lab Technique and Measurments. 10. Measure the temperature of the hot tap water in Celsius to one degree of uncertainty. Record the measurement in Data Table 2. A-level Physics Teacher notes Unit 06T (h) method of adjusting the current through the thermistor to remain within the range of the ammeter: either dial on labpack or potential divider. (i). An investigation of the stability of thermistors by SD Wood · 1978 · Cited by 70 — The resistances of the 100 fl standard resistors were checked frequently by measuring them against the 1 kfl standard resistor. Just before the experiment ended ... thermistor - NI Community - National Instruments

Dec 22, 2008 — A thermistor is a resistor. It has no reference voltage. The resistance of the thermistor changes with temperature. Thus, if you measure the ... The effects of thermistor linearization techniques on the T ... by SB Stanković · 2012
· Cited by 26 — Current characterization methods including the well-known T-history method depend on accurate temperature measurements. This paper investigates the impact of ...

The Top Books of the Year Honda Gx160 Repair Manual The year 2023 has witnessed a remarkable surge in literary brilliance, with numerous captivating novels captivating the hearts of readers worldwide. Lets delve into the realm of top-selling books, exploring the engaging narratives that have captivated audiences this year. The Must-Read : Colleen Hoover "It Ends with Us" This touching tale of love, loss, and resilience has gripped readers with its raw and emotional exploration of domestic abuse. Hoover masterfully weaves a story of hope and healing, reminding us that even in the darkest of times, the human spirit can succeed. Honda Gx160 Repair Manual : Taylor Jenkins Reids "The Seven Husbands of Evelyn Hugo" This intriguing historical fiction novel unravels the life of Evelyn Hugo, a Hollywood icon who defies expectations and societal norms to pursue her dreams. Reids captivating storytelling and compelling characters transport readers to a bygone era, immersing them in a world of glamour, ambition, and self-discovery. Honda Gx160 Repair Manual : Delia Owens "Where the Crawdads Sing" This captivating coming-of-age story follows Kya Clark, a young woman who grows up alone in the marshes of North Carolina. Owens spins a tale of resilience, survival, and the transformative power of nature, entrancing readers with its evocative prose and mesmerizing setting. These top-selling novels represent just a fraction of the literary treasures that have emerged in 2023. Whether you seek tales of romance, adventure, or personal growth, the world of literature offers an abundance of captivating stories waiting to be discovered. The novel begins with Richard Papen, a bright but troubled young man, arriving at Hampden College. Richard is immediately drawn to the group of students who call themselves the Classics Club. The club is led by Henry Winter, a brilliant and charismatic young man. Henry is obsessed with Greek mythology and philosophy, and he quickly draws Richard into his world. The other members of the Classics Club are equally as fascinating. Bunny Corcoran is a wealthy and spoiled young man who is always looking for a good time. Charles Tavis is a quiet and reserved young man who is deeply in love with Henry. Camilla Macaulay is a beautiful and intelligent young woman who is drawn to the power and danger of the Classics Club. The students are all deeply in love with Morrow, and they are willing to do anything to please him. Morrow is a complex and mysterious figure, and he seems to be manipulating the students for his own purposes. As the students become more involved with Morrow, they begin to commit increasingly dangerous acts. The Secret History is a exceptional and gripping novel that will keep you wondering until the very end. The novel is a warning tale about the dangers of obsession and the power of evil.

https://offsite.creighton.edu/files/virtual-library/Documents/missouri_compromise_apush.pdf

https://offsite.creighton.edu/files/virtual-library/Documents/missouri_probation_and_parole.pdf

https://offsite.creighton.edu/files/virtual-library/Documents/mel_fell_activities.pdf

Table of Contents Honda Gx160 Repair Manual

1. Understanding the eBook Honda Gx160 Repair Manual
 - The Rise of Digital Reading Honda Gx160 Repair Manual
 - Advantages of eBooks Over Traditional Books
2. Identifying Honda Gx160 Repair Manual
 - Exploring Different Genres
 - Considering Fiction vs. Non-Fiction
 - Determining Your Reading Goals
3. Choosing the Right eBook Platform
 - Popular eBook Platforms
 - Features to Look for in an Honda Gx160 Repair Manual
 - User-Friendly Interface
4. Exploring eBook Recommendations from Honda Gx160 Repair Manual
 - Personalized Recommendations
 - Honda Gx160 Repair Manual User Reviews and Ratings
 - Honda Gx160 Repair Manual and Bestseller Lists
5. Accessing Honda Gx160 Repair Manual Free and Paid eBooks
 - Honda Gx160 Repair Manual Public Domain eBooks
 - Honda Gx160 Repair Manual eBook Subscription Services
 - Honda Gx160 Repair Manual Budget-Friendly Options
6. Navigating Honda Gx160 Repair Manual eBook Formats
 - ePub, PDF, MOBI, and More
 - Honda Gx160 Repair Manual Compatibility with Devices
 - Honda Gx160 Repair Manual Enhanced eBook Features
7. Enhancing Your Reading Experience

- Adjustable Fonts and Text Sizes of Honda Gx160 Repair Manual
- Highlighting and Note-Taking Honda Gx160 Repair Manual
- Interactive Elements Honda Gx160 Repair Manual
- 8. Staying Engaged with Honda Gx160 Repair Manual
 - Joining Online Reading Communities
 - Participating in Virtual Book Clubs
 - Following Authors and Publishers Honda Gx160 Repair Manual
- 9. Balancing eBooks and Physical Books Honda Gx160 Repair Manual
 - Benefits of a Digital Library
 - Creating a Diverse Reading Collection Honda Gx160 Repair Manual
- 10. Overcoming Reading Challenges
 - Dealing with Digital Eye Strain
 - Minimizing Distractions
 - Managing Screen Time
- 11. Cultivating a Reading Routine Honda Gx160 Repair Manual
 - Setting Reading Goals Honda Gx160 Repair Manual
 - Carving Out Dedicated Reading Time
- 12. Sourcing Reliable Information of Honda Gx160 Repair Manual
 - Fact-Checking eBook Content of Honda Gx160 Repair Manual
 - Distinguishing Credible Sources
- 13. Promoting Lifelong Learning
 - Utilizing eBooks for Skill Development
 - Exploring Educational eBooks
- 14. Embracing eBook Trends
 - Integration of Multimedia Elements
 - Interactive and Gamified eBooks

Honda Gx160 Repair Manual Introduction

Free PDF Books and Manuals for Download: Unlocking Knowledge at Your Fingertips In today's fast-paced digital age, obtaining valuable knowledge has become easier than ever. Thanks to the internet, a vast array of books and manuals are

now available for free download in PDF format. Whether you are a student, professional, or simply an avid reader, this treasure trove of downloadable resources offers a wealth of information, conveniently accessible anytime, anywhere. The advent of online libraries and platforms dedicated to sharing knowledge has revolutionized the way we consume information. No longer confined to physical libraries or bookstores, readers can now access an extensive collection of digital books and manuals with just a few clicks. These resources, available in PDF, Microsoft Word, and PowerPoint formats, cater to a wide range of interests, including literature, technology, science, history, and much more. One notable platform where you can explore and download free Honda Gx160 Repair Manual PDF books and manuals is the internet's largest free library. Hosted online, this catalog compiles a vast assortment of documents, making it a veritable goldmine of knowledge. With its easy-to-use website interface and customizable PDF generator, this platform offers a user-friendly experience, allowing individuals to effortlessly navigate and access the information they seek. The availability of free PDF books and manuals on this platform demonstrates its commitment to democratizing education and empowering individuals with the tools needed to succeed in their chosen fields. It allows anyone, regardless of their background or financial limitations, to expand their horizons and gain insights from experts in various disciplines. One of the most significant advantages of downloading PDF books and manuals lies in their portability. Unlike physical copies, digital books can be stored and carried on a single device, such as a tablet or smartphone, saving valuable space and weight. This convenience makes it possible for readers to have their entire library at their fingertips, whether they are commuting, traveling, or simply enjoying a lazy afternoon at home. Additionally, digital files are easily searchable, enabling readers to locate specific information within seconds. With a few keystrokes, users can search for keywords, topics, or phrases, making research and finding relevant information a breeze. This efficiency saves time and effort, streamlining the learning process and allowing individuals to focus on extracting the information they need. Furthermore, the availability of free PDF books and manuals fosters a culture of continuous learning. By removing financial barriers, more people can access educational resources and pursue lifelong learning, contributing to personal growth and professional development. This democratization of knowledge promotes intellectual curiosity and empowers individuals to become lifelong learners, promoting progress and innovation in various fields. It is worth noting that while accessing free Honda Gx160 Repair Manual PDF books and manuals is convenient and cost-effective, it is vital to respect copyright laws and intellectual property rights. Platforms offering free downloads often operate within legal boundaries, ensuring that the materials they provide are either in the public domain or authorized for distribution. By adhering to copyright laws, users can enjoy the benefits of free access to knowledge while supporting the authors and publishers who make these resources available. In conclusion, the availability of Honda Gx160 Repair Manual free PDF books and manuals for download has revolutionized the way we access and consume knowledge. With just a few clicks, individuals can explore a vast collection of resources across different disciplines, all free of charge. This accessibility empowers individuals to become

lifelong learners, contributing to personal growth, professional development, and the advancement of society as a whole. So why not unlock a world of knowledge today? Start exploring the vast sea of free PDF books and manuals waiting to be discovered right at your fingertips.

FAQs About Honda Gx160 Repair Manual Books

How do I know which eBook platform is the best for me? Finding the best eBook platform depends on your reading preferences and device compatibility. Research different platforms, read user reviews, and explore their features before making a choice. Are free eBooks of good quality? Yes, many reputable platforms offer high-quality free eBooks, including classics and public domain works. However, make sure to verify the source to ensure the eBook credibility. Can I read eBooks without an eReader? Absolutely! Most eBook platforms offer webbased readers or mobile apps that allow you to read eBooks on your computer, tablet, or smartphone. How do I avoid digital eye strain while reading eBooks? To prevent digital eye strain, take regular breaks, adjust the font size and background color, and ensure proper lighting while reading eBooks. What the advantage of interactive eBooks? Interactive eBooks incorporate multimedia elements, quizzes, and activities, enhancing the reader engagement and providing a more immersive learning experience. Honda Gx160 Repair Manual is one of the best book in our library for free trial. We provide copy of Honda Gx160 Repair Manual in digital format, so the resources that you find are reliable. There are also many Ebooks of related with Honda Gx160 Repair Manual. Where to download Honda Gx160 Repair Manual online for free? Are you looking for Honda Gx160 Repair Manual PDF? This is definitely going to save you time and cash in something you should think about. If you trying to find then search around for online. Without a doubt there are numerous these available and many of them have the freedom. However without doubt you receive whatever you purchase. An alternate way to get ideas is always to check another Honda Gx160 Repair Manual. This method for see exactly what may be included and adopt these ideas to your book. This site will almost certainly help you save time and effort, money and stress. If you are looking for free books then you really should consider finding to assist you try this. Several of Honda Gx160 Repair Manual are for sale to free while some are payable. If you arent sure if the books you would like to download works with for usage along with your computer, it is possible to download free trials. The free guides make it easy for someone to free access online library for download books to your device. You can get free download on free trial for lots of books categories. Our library is the biggest of these that have literally hundreds of thousands of different products categories represented. You will also see that there are specific sites catered to different product types or categories, brands or niches related with Honda Gx160 Repair Manual. So depending on what exactly you are searching, you will be able to choose e books to suit your own need. Need to access completely for Campbell Biology Seventh Edition book?

Access Ebook without any digging. And by having access to our ebook online or by storing it on your computer, you have convenient answers with Honda Gx160 Repair Manual To get started finding Honda Gx160 Repair Manual, you are right to find our website which has a comprehensive collection of books online. Our library is the biggest of these that have literally hundreds of thousands of different products represented. You will also see that there are specific sites catered to different categories or niches related with Honda Gx160 Repair Manual So depending on what exactly you are searching, you will be able to choose ebook to suit your own need. Thank you for reading Honda Gx160 Repair Manual. Maybe you have knowledge that, people have search numerous times for their favorite readings like this Honda Gx160 Repair Manual, but end up in harmful downloads. Rather than reading a good book with a cup of coffee in the afternoon, instead they juggled with some harmful bugs inside their laptop. Honda Gx160 Repair Manual is available in our book collection an online access to it is set as public so you can download it instantly. Our digital library spans in multiple locations, allowing you to get the most less latency time to download any of our books like this one. Merely said, Honda Gx160 Repair Manual is universally compatible with any devices to read.

Find Honda Gx160 Repair Manual :

missouri compromise apush

missouri probation and parole

mel fell activities

missouri life insurance exam questions

memoria press geography iii

mike mentzer forearms workout

minto's pyramid principle

mmi questions and answers

merriam webster crossword puzzle

Michelle Obama's height

mengistu haile mariam

millon psychological test

microbiology lab report

metal sheep chinese zodiac

midnight sun free pdf

Honda Gx160 Repair Manual :