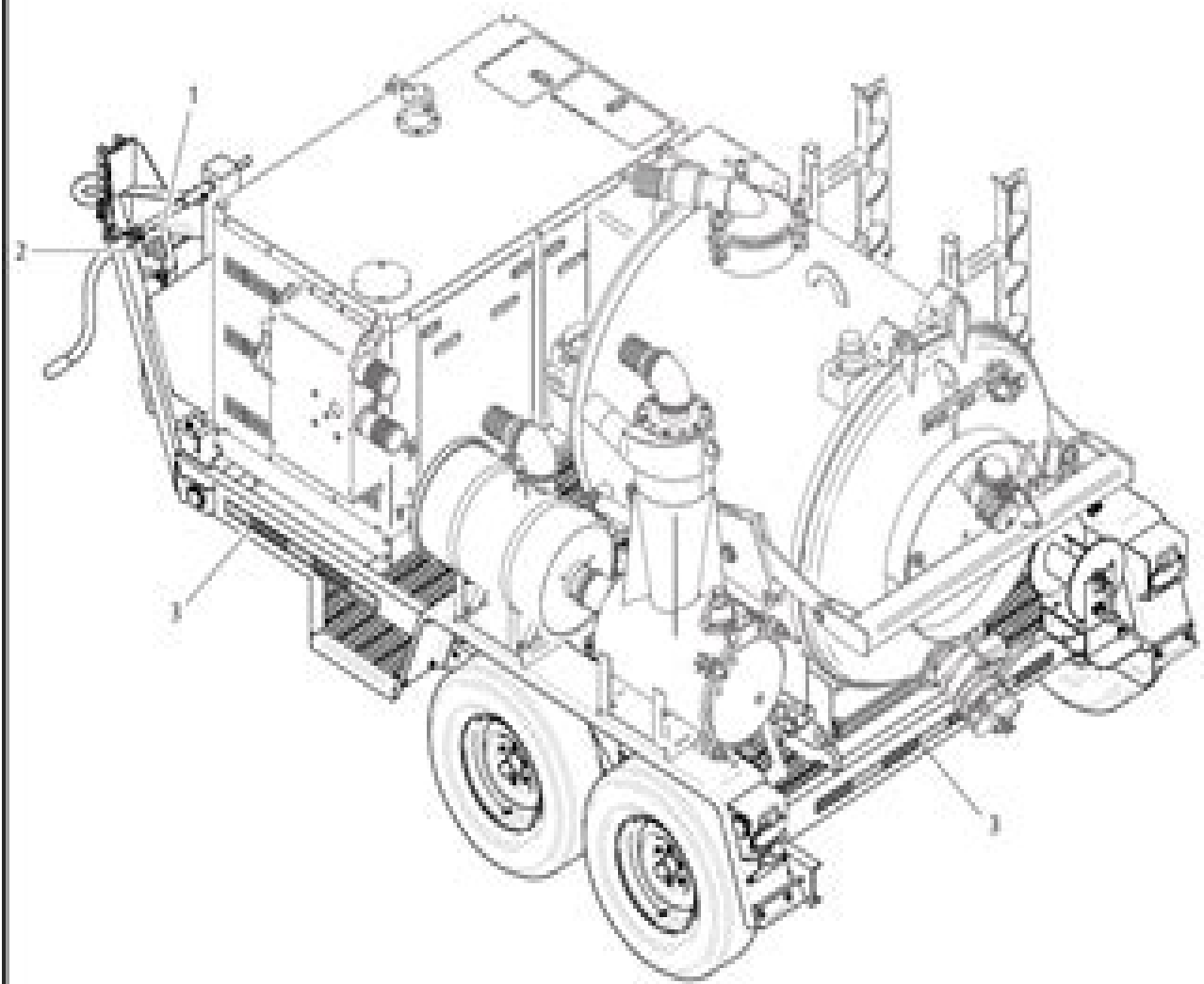




Page Thumbnails



# Ditch Witch Fx30 Manual

**Lei Shi**



# Ditch Witch Fx30 Manual

**ENR**, 2002 *Engineering News and American Contract Journal*, 2002 *Commerce Business Daily*, 2001-08 *Crap CVs* Jenny Crompton, 2014-10-09 A HILARIOUS COMPILATION OF THE WORST JOB APPLICATIONS IMAGINABLE A PERFECT STOCKING FILLER OR OFFICE SECRET SANTA GIFT THIS CHRISTMAS Ever read a truly terrible job application Or perhaps slightly exaggerated the truth on one of your own We ve all been there but these are worse So much worse From overly honest cover letters embarrassing typos and mortifying personal revelations to awkward interview questions misplaced self confidence and of course outright lies This hilarious collection of shockingly dreadful job applications crap CVs and excruciating interviews will have you laughing out loud while also making you feel so much better about yourself because at least you weren t ever this bad Application for Employment I refer to the recent death of the Technical Manager at your company and hereby apply for the replacement of the deceased manager Each time I apply for a job I get a reply that there is no vacancy but in this case I have caught you red handed and you have no excuse because I even attended the funeral to be sure that he was truly dead and buried before applying Attached to my letter is a copy of my CV and his death certificate The Interview Q Is there anything about this job that you feel you might not be very good at A Dealing with people Q What person living or dead would you most like to meet A The living one **Horizontal Directional Drilling HDD Consortium**, David Bennett, Samuel T. Ariaratnam, 2008 **Handbook of Polyethylene Pipe**, 2012-02 Published by the Plastics Pipe Institute PPI the Handbook describes how polyethylene piping systems continue to provide utilities with a cost effective solution to rehabilitate the underground infrastructure The book will assist in designing and installing PE piping systems that can protect utilities and other end users from corrosion earthquake damage and water loss due to leaky and corroded pipes and joints [Towards a New Industrial Democracy](#) Michael Poole, 2017-10-03 This title originally published in 1986 explores the political and economic conditions of the 1980s and reflects the world wide interest in industrial democracy Each chapter analyses the main adaptations in policy theory and experimentation that have occurred in industrial democracy in the 1980s In particular the role of managers is examined in depth and detail since these personnel have been responsible for a number of recent initiatives The themes covered are vital for all those seeking new directions in the reform of modern industrial relations in the late 1980s and into the 1990s **Pipeline Design for Installation by Horizontal Directional Drilling** American Society of Civil Engineers. HDD Design Guideline Task Committee, 2005 This volume addresses the design of major pipeline or duct segments to be installed by horizontal directional drilling HDD This Manual of Practice which covers topics specifically related to HDD installation was prepared by a committee of senior engineers who are leaders in the development of HDD techniques and practices HDD is a trenchless excavation method that is accomplished in three phases and uses a specialized horizontal drilling rig with ancillary tools and equipment This Manual is meant to be a

guide for design engineers with previous experience and knowledge of the HDD installation process and pipeline design methods Topics covered include predesign surveys drilled path design pipe design construction impact and as built documentation

**The Global Economic Crisis and Migration** Christof Roos,Natascha Zaun,2018-10-18 Offering an in depth analysis of the impact of the economic crisis 2008 2012 on immigration movements and policies in the U S and Europe the analysis in this book is guided by two key questions What is the scope of change and did the crisis motivate this change or did other factors do so The contributions to the book find that the crisis had immediate effects on migration patterns migrants left crisis stricken countries naturalised in non crisis countries where they had previously settled or stopped migrating to formerly attractive countries which had been negatively affected by the crisis Whereas prior to the crisis the majority of migrants were highly skilled during the crisis there was a shift to vulnerable groups such as low skilled workers and women The book also finds that migration policies have indeed changed in times of crisis However these changes are neither exclusively restrictions nor liberalisations but encompass changes in both directions Despite the coincidence of many policy changes with the crisis these changes are not primarily induced by the crisis Instead politicians rhetorically used the crisis to promote both liberal and restrictive policy changes which were already in the making before the crisis This book was originally published as a special issue of the Journal of Ethnic and Migration Studies

*HDD Practice Handbook* Hans-Joachim Bayer,2005 This handbook is written for planning engineers construction engineers and technicians for pipeline and network engineers and technicians for engineering companies for construction and pipeline companies for network and pipeline owners for installation companies of mains cables fibers ducts sewers and complete networks for drillers of all branches for drilling fluid specialists for environmental and water management applications for foundations specialists for all people engaged in the underground infrastructure for all which like to combine economical and ecological advantages by going trenchless and by using newest technological possibilities for underground construction

**Ford Shop Manual Models3230 3430 3930 4630+** Penton Staff,2000-05-24 Diesel Models 3230 3430 3930 4630 4830 *Ford Shop Manual* ,1963

[komal tivra swar notation for harmonium wrbb neu](#) - Mar 01 2022

web apr 22 2023 komal tivra swar notation for harmonium yeah reviewing a books komal tivra swar notation for harmonium could grow your close links listings this is just one of the solutions for you to be successful as understood exploit does not suggest that you have astounding points

*how to play komal swar sharp flat notes on harmonica how* - Oct 08 2022

web nov 8 2019 this video will help mouthorgan players learners to understand and play the komal tivra swar or shart and flat notes and become good harmonica player by pl

[saptak komal and tivra swaras on harmonium g scale](#) - Apr 14 2023

web saptak komal and tivra swaras on harmonium g scale g sharp kali 4 amit g more 425 views 2 years ago pune also for regular vocal hindustani shastreeya sangeet classes

**free komal tivra swar notation for harmonium** - May 03 2022

web komal tivra swar notation for harmonium notation of 121 bhajans prayers jul 07 2021 the swan and the skylark jul 27 2020 111 hit filmy music notations may 29 2023 hindi publishing in colonial lucknow oct 10 2021 investigating the emergence of hindi publishing in colonial lucknow long a

**learn to play komal tibra swar on harmonium basic lesson** - Sep 19 2023

web learn to play komal tibra swar on harmonium basic lesson of harmonium bangla harmonium tutorial harmonium tutorial by arpita 3 02k subscribers subscribe 162 6 9k views 1 year ago

[komal tivra swar notation for harmonium book](#) - Jan 31 2022

web komal tivra swar notation for harmonium notations for software design aug 12 2023 notations for software design aims to explain formal specification and design to practitioners in software development and to set out the ingredients of a sound software design process it examines cold 1

**komal tivra swar notation for harmonium pdf download** - Apr 02 2022

web komal tivra swar notation for harmonium pdf upload donald e williamson 2 5 downloaded from red ortax org on september 14 2023 by donald e williamson traditions of worship beginning with the chanting of the sama veda alongside the fire sacrifices of the ancient indo aryans and with the classical gandharva music as

[how to write komal suddh and tibra swaras for beginners](#) - Jul 17 2023

web mar 20 2017 how to write komal suddh and tibra swaras for beginners indian music art indian music art 651k subscribers subscribe 12k views 6 years ago learn harmonium basic concepts how to write

**swar notations tanarang com vishwanath rao ringe** - Nov 09 2022

web notation 1 shadja sa s 2 komal rishabh re r 3 shuddha rishabh re r 4 komal gandhar ga g 5 shuddha gandhar ga g 6 shuddha madhyam ma m 7 teevra madhyam ma m 8 pancham pa p 9 komal dhaivat dha d 10 shuddha dhaivat dha d 11 komal nishad ni n 12 shuddha nishad ni n

**learn indian classical vocal music how to play komal tivra** - Aug 18 2023

web this video is about how to play komal flat notes and tivra sharp notes swar on harmonium for beginners

**notation taal systems sharda music** - Mar 13 2023

web 1 all pure shuddha notes swar s r g m p d n 2 komal or flat notes are represented by small letters r g d n 3 tivra m higher m is represented by m 4 mandra saptak lower octave notes will have a dot before the note n d p 5 tar saptak higher octave

notes will have a dot after the note s r g m 6 for

**10 lesson harmonium shruti swaras komal swaras teevra** - Dec 10 2022

web dec 31 2016 sur taal harmonium lessons email 1810kpt gmail com 10 harmonium lessona basic knowledge of swaras and harmonium keys according to indian classical music

**swar note swarganga** - Jan 11 2023

web they are referred to as achal swara immovable vikrut swar the other notes viz rishabh gandhar madhyam dhaivat and nishad are vikrut movable komal swar in vikrut swaras rishabh gandhar dhaivat nishad can be moved below there shuddha place on the scale they are called komal soft or flat these are shown by a small horizontal

**komal tivra swar notation for harmonium full pdf** - Jul 05 2022

web komal tivra swar notation for harmonium downloaded from controlplane themintgaming com by guest mooney cohen how to play harmonium synthesiser aph publishing an advanced guide to hindustani classical music with notations in the following raags 1 tilang 2 patdeep 3 jounpuri 4 hameer 5 kalingda

*download solutions komal tivra swar notation for harmonium* - Aug 06 2022

web komal tivra swar notation for harmonium the standard course of lessons and exercises in the tonic sol fa method of teaching music apr 28 2020 learn to play on harmonium nov 27 2022 the reference catalogue of current literature dec 29 2022 notes jan 18 2022 proceedings of the musical association dec 05 2020 play

**how to play flat sharp notes komal tivra swar slider** - Feb 12 2023

web apr 24 2017 how to produce flat or sharp notes komal and tivra swar in harmonica mouthorgan the use of slider this is very use full video for beginners for other det

*learn to play komal tibra swar on harmonium* - May 15 2023

web mar 16 2018 2 1k share 90k views 5 years ago learn harmonium basic concepts learn komal tibra swar on harmonium total 12 swar hote hain jisme 7

*komal tivra swar notation for harmonium copy* - Jun 04 2022

web notations and scales of top bollywood songs the swan and the skylark mar 07 2020 harmonium aug 24 2021 on the indian style of playing of octaves swara and combination of swaras ragas upon a reed organ harmonium camille saint saëns 1835 1921 jan 29 2022

**shudh komal and tivra swar harmonium lesson gaurav mishra** - Sep 07 2022

web jan 27 2021 shudh komal and tivra swar harmonium lesson gaurav mishra musical dabba 876 subscribers 259 views 2 years ago harmonium harmonium how to

**komal tivra swar notation for harmonium** - Jun 16 2023



islam part 1 health and fitness 2 19 first night

**indian desi hot and sexy bhabhi wearing blue saree dance on** - Aug 27 2022

web apr 5 2022 by clicking accept all cookies you agree to the storing of cookies on your device and the processing of information obtained via those cookies including about

**hot teen komal ki chikni choot ki photos antarvasna indian** - Jan 20 2022

web aug 10 2020 hot teen komal ki chikni choot ki photos 10 08 2020 by nishi good morning friends kaise hain aap sab umeed hai aap sab masti main honge agar aapki

**lund chut photos download the best free lund chut stock** - Feb 01 2023

web download and use 10 lund chut stock photos for free thousands of new images every day completely free to use high quality videos and images from pexels photos explore

**boor wala photos gallery of boor wala pictures and images** - May 24 2022

web boor wala photos 0 boor wala photos page brings you a collection of photos from boor wala in firozpur district if you have any interesting images from boor wala please

**hot pics new choti** - Dec 19 2021

web aug 25 2021 22 08 2021 by ornipriya nangi pictures of indian aunty ki boobs and ass nangi picture of an indian aunty where she showing her huge boobs and ass indian

**chut image photos and premium high res pictures getty images** - Oct 09 2023

web browse getty images premium collection of high quality authentic chut image stock photos royalty free images and pictures chut image stock photos are available in a

**sexy and hot reels of xxx gandii baat star aabha paul go viral** - Oct 29 2022

web dec 18 2022 aabha paul knows how to grab attention with her instagram posts in which she flaunts her sexy body in bold outfits dna web team dec 18 2022 10 28 pm ist

*xxx star aabha paul flaunts her sexy body in viral photos and* - Jun 05 2023

web feb 8 2023 home photos xxx star aabha paul flaunts her sexy body in viral photos and videos aabha paul s often sets the internet on fire with her sexy and bold social media

free download borrow and - Sep 27 2022

web mar 5 2018

**chuda chuda photos hd images pictures stills first look** - Jul 06 2023

web jan 22 2013 chuda chuda photo gallery check out chuda chuda movie latest images hd stills and download first look posters actor actress pictures shooting spot photos



**hotchoti banglay hot choti picture** - Nov 17 2021

web hello thank you for visit this website you can get all sexy photo and read more choti book

*nangi chut ki chudai xxx hd videos* - Apr 03 2023

web chut ki chudai desi girlfriend fucked indian porn videos amateur brunette hd dehati shy girl ki tight dark chut chudai mms brunette indian bhabhi ji ki chut ki chudai or

[hot and sexy viral reels of xxx gandii baat star aabha paul that](#) - Nov 29 2022

web dec 07 2022 10 48 pm ist xxx mastram and gandii baat actress aabha paul who is an active instagram user has been making headlines because of her sizzling hot social

*living environment regents answers june 2014 pdf* - Jul 20 2022

web 2 living environment regents answers june 2014 2021 11 11 living environment regents answers june 2014 downloaded from renewalcc com by guest

*june 2014 living environment regents answers uniport edu* - Jan 14 2022

web june 2014 living environment regents answers 1 14 downloaded from uniport edu ng on september 3 2023 by guest june 2014 living environment regents answers as

**free answers to june 2014 living environment regents** - Dec 25 2022

web getting the books answers to june 2014 living environment regents now is not type of inspiring means you could not single handedly going similar to book deposit or library or

*june living environment regents 2014 2022 files climagic* - Dec 13 2021

web june living environment regents 2014 5 5 before and there s no resource like it out there be the first in your school to use this for your regents prep i created this

**living environment science regents examinations osa p** - Sep 02 2023

web aug 31 2023 regents examination in living environment regular size version 1 2 mb large type version 1 3 mb scoring key pdf version 36 kb excel version 21 june

**answers to 2014 june living environment regents pdf** - Apr 16 2022

web recognizing the way ways to acquire this book answers to 2014 june living environment regents is additionally useful you have remained in right site to start

**for teachers only nysed** - Aug 01 2023

web regents high school examination living environment tuesday june 17 2014 1 15 to 4 15 p m only scoring key and rating guide directions to the

**living environment regents review 2014** - May 18 2022

web full text kansas board of regents google the living environment prentice hall brief review for the mcLeodgaming a systematic review of factors linked to poor academic

**answers to june 2014 living environment regents 2022** - Jun 18 2022

web regents examinationsguide june 2014 living environment regents answer key destul de may 14th 2018 read and download june 2014 living june 2014 living

answers to the 2014 living environment regents pdf full pdf - Nov 23 2022

web regents exams and answers earth science physical setting revised edition edward j denecke 2021 01 05 barron s regents exams and answers earth science provides

**living environment regents answers june 2014 pdf** - Feb 24 2023

web living environment regents answers june 2014 living environment regents june 2013 answer key regents examination in living environment for teachers

*answers to 2014 june living environment regents* - Oct 23 2022

web it is your utterly own era to fake reviewing habit along with guides you could enjoy now is answers to 2014 june living environment regents below let s review regents

living environment large type edition living - Sep 21 2022

web living environment wednesday june 14 2023 1 15 to 4 15 p m only answers for all multiple choice questions including those in parts b 2 and d on the regents

**living environment new york high school regents past** - May 30 2023

web regents june 2014 exam living environment high school view with answers or solve this paper interactively view examination paper with answers regents january 2014

**living environment new york regents june 2014 exam** - Oct 03 2023

web living environment new york regents june 2014 exam part a answer all questions in this part 30 directions 1 30 for each statement or question record on the separate

*answers to the 2014 living environment regents pdf uniport edu* - Mar 16 2022

web may 15 2023 answers to the 2014 living environment regents 2 12 downloaded from uniport edu ng on may 15 2023 by guest 2017 august 2016 and june 2016 earth

**june living environment regents 2014** - Mar 28 2023

web merely said the june living environment regents 2014 is universally compatible with any devices to read an american diplomat in bolshevik russia dewitt clinton poole

**living environment new york regents june 2014 exam syvum** - Jun 30 2023

web living environment new york regents june 2014 exam not all questions are shown to view all questions where available study the preparation material through the info

**living environment regents review questions and answers** - Nov 11 2021

web living environment regents review questions and answers pdf living environment regents review questions and answers by topic living environment question 26

**interdisciplinary jmap regents exams answers earth** - Apr 28 2023

web regents exams worksheets jmap on jumbled an online platform for the above algebra i resources regents books ai lesson plans worksheet generators extras regents exam

*for teachers only nysed* - Jan 26 2023

web regents high school examination living environment wednesday june 14 2017 1 15 to 4 15 p m only scoring key and rating guide directions to the

2014 living environment regents answers blog mindytan - Feb 12 2022

web june 15 25 2021 and august 12 13th this edition features four actual 2014 living environment regents answers 2 downloaded from blog mindytan com on 2019 05 31

**the best living environment regents review guide 2023** - Aug 21 2022

web if you want to learn more about the living environment core curriculum which determines what topics appear on the regents exam visit new york s state education department

## **Ditch Witch Fx30 Manual** Book Review: Unveiling the Magic of Language

In an electronic era where connections and knowledge reign supreme, the enchanting power of language has become more apparent than ever. Its power to stir emotions, provoke thought, and instigate transformation is really remarkable. This extraordinary book, aptly titled "**Ditch Witch Fx30 Manual**," compiled by a highly acclaimed author, immerses readers in a captivating exploration of the significance of language and its profound impact on our existence. Throughout this critique, we will delve into the book's central themes, evaluate its unique writing style, and assess its overall influence on its readership.

[https://offsite.creighton.edu/files/virtual-library/Documents/frontline\\_steel\\_structures.pdf](https://offsite.creighton.edu/files/virtual-library/Documents/frontline_steel_structures.pdf)

[https://offsite.creighton.edu/files/virtual-library/Documents/fr\\_daniel\\_montalbano.pdf](https://offsite.creighton.edu/files/virtual-library/Documents/fr_daniel_montalbano.pdf)

[https://offsite.creighton.edu/files/virtual-library/Documents/free\\_wedding\\_planner\\_book\\_by\\_mail\\_2022.pdf](https://offsite.creighton.edu/files/virtual-library/Documents/free_wedding_planner_book_by_mail_2022.pdf)

### **Table of Contents Ditch Witch Fx30 Manual**

1. Understanding the eBook Ditch Witch Fx30 Manual
  - The Rise of Digital Reading Ditch Witch Fx30 Manual
  - Advantages of eBooks Over Traditional Books
2. Identifying Ditch Witch Fx30 Manual
  - Exploring Different Genres
  - Considering Fiction vs. Non-Fiction
  - Determining Your Reading Goals
3. Choosing the Right eBook Platform
  - Popular eBook Platforms
  - Features to Look for in an Ditch Witch Fx30 Manual

- 
- User-Friendly Interface
4. Exploring eBook Recommendations from Ditch Witch Fx30 Manual
    - Personalized Recommendations
    - Ditch Witch Fx30 Manual User Reviews and Ratings
    - Ditch Witch Fx30 Manual and Bestseller Lists
  5. Accessing Ditch Witch Fx30 Manual Free and Paid eBooks
    - Ditch Witch Fx30 Manual Public Domain eBooks
    - Ditch Witch Fx30 Manual eBook Subscription Services
    - Ditch Witch Fx30 Manual Budget-Friendly Options
  6. Navigating Ditch Witch Fx30 Manual eBook Formats
    - ePub, PDF, MOBI, and More
    - Ditch Witch Fx30 Manual Compatibility with Devices
    - Ditch Witch Fx30 Manual Enhanced eBook Features
  7. Enhancing Your Reading Experience
    - Adjustable Fonts and Text Sizes of Ditch Witch Fx30 Manual
    - Highlighting and Note-Taking Ditch Witch Fx30 Manual
    - Interactive Elements Ditch Witch Fx30 Manual
  8. Staying Engaged with Ditch Witch Fx30 Manual
    - Joining Online Reading Communities
    - Participating in Virtual Book Clubs
    - Following Authors and Publishers Ditch Witch Fx30 Manual
  9. Balancing eBooks and Physical Books Ditch Witch Fx30 Manual
    - Benefits of a Digital Library
    - Creating a Diverse Reading Collection Ditch Witch Fx30 Manual
  10. Overcoming Reading Challenges
    - Dealing with Digital Eye Strain
    - Minimizing Distractions
    - Managing Screen Time
  11. Cultivating a Reading Routine Ditch Witch Fx30 Manual
    - Setting Reading Goals Ditch Witch Fx30 Manual

- 
- Carving Out Dedicated Reading Time
12. Sourcing Reliable Information of Ditch Witch Fx30 Manual
    - Fact-Checking eBook Content of Ditch Witch Fx30 Manual
    - Distinguishing Credible Sources
  13. Promoting Lifelong Learning
    - Utilizing eBooks for Skill Development
    - Exploring Educational eBooks
  14. Embracing eBook Trends
    - Integration of Multimedia Elements
    - Interactive and Gamified eBooks

### **Ditch Witch Fx30 Manual Introduction**

In this digital age, the convenience of accessing information at our fingertips has become a necessity. Whether its research papers, eBooks, or user manuals, PDF files have become the preferred format for sharing and reading documents. However, the cost associated with purchasing PDF files can sometimes be a barrier for many individuals and organizations. Thankfully, there are numerous websites and platforms that allow users to download free PDF files legally. In this article, we will explore some of the best platforms to download free PDFs. One of the most popular platforms to download free PDF files is Project Gutenberg. This online library offers over 60,000 free eBooks that are in the public domain. From classic literature to historical documents, Project Gutenberg provides a wide range of PDF files that can be downloaded and enjoyed on various devices. The website is user-friendly and allows users to search for specific titles or browse through different categories. Another reliable platform for downloading Ditch Witch Fx30 Manual free PDF files is Open Library. With its vast collection of over 1 million eBooks, Open Library has something for every reader. The website offers a seamless experience by providing options to borrow or download PDF files. Users simply need to create a free account to access this treasure trove of knowledge. Open Library also allows users to contribute by uploading and sharing their own PDF files, making it a collaborative platform for book enthusiasts. For those interested in academic resources, there are websites dedicated to providing free PDFs of research papers and scientific articles. One such website is Academia.edu, which allows researchers and scholars to share their work with a global audience. Users can download PDF files of research papers, theses, and dissertations covering a wide range of subjects. Academia.edu also provides a platform for discussions and networking within the academic community. When it comes to downloading Ditch Witch Fx30 Manual free PDF files of magazines, brochures, and catalogs, Issuu is a popular choice. This digital publishing platform hosts a vast collection of publications from around

the world. Users can search for specific titles or explore various categories and genres. Issuu offers a seamless reading experience with its user-friendly interface and allows users to download PDF files for offline reading. Apart from dedicated platforms, search engines also play a crucial role in finding free PDF files. Google, for instance, has an advanced search feature that allows users to filter results by file type. By specifying the file type as "PDF," users can find websites that offer free PDF downloads on a specific topic. While downloading Ditch Witch Fx30 Manual free PDF files is convenient, it's important to note that copyright laws must be respected. Always ensure that the PDF files you download are legally available for free. Many authors and publishers voluntarily provide free PDF versions of their work, but it's essential to be cautious and verify the authenticity of the source before downloading Ditch Witch Fx30 Manual. In conclusion, the internet offers numerous platforms and websites that allow users to download free PDF files legally. Whether it's classic literature, research papers, or magazines, there is something for everyone. The platforms mentioned in this article, such as Project Gutenberg, Open Library, Academia.edu, and Issuu, provide access to a vast collection of PDF files. However, users should always be cautious and verify the legality of the source before downloading Ditch Witch Fx30 Manual any PDF files. With these platforms, the world of PDF downloads is just a click away.

### **FAQs About Ditch Witch Fx30 Manual Books**

How do I know which eBook platform is the best for me? Finding the best eBook platform depends on your reading preferences and device compatibility. Research different platforms, read user reviews, and explore their features before making a choice. Are free eBooks of good quality? Yes, many reputable platforms offer high-quality free eBooks, including classics and public domain works. However, make sure to verify the source to ensure the eBook credibility. Can I read eBooks without an eReader? Absolutely! Most eBook platforms offer webbased readers or mobile apps that allow you to read eBooks on your computer, tablet, or smartphone. How do I avoid digital eye strain while reading eBooks? To prevent digital eye strain, take regular breaks, adjust the font size and background color, and ensure proper lighting while reading eBooks. What the advantage of interactive eBooks? Interactive eBooks incorporate multimedia elements, quizzes, and activities, enhancing the reader engagement and providing a more immersive learning experience. Ditch Witch Fx30 Manual is one of the best books in our library for free trial. We provide copy of Ditch Witch Fx30 Manual in digital format, so the resources that you find are reliable. There are also many eBooks of related with Ditch Witch Fx30 Manual. Where to download Ditch Witch Fx30 Manual online for free? Are you looking for Ditch Witch Fx30 Manual PDF? This is definitely going to save you time and cash in something you should think about. If you're trying to find then search around for online. Without a doubt there are numerous these available and many of them have the freedom. However without doubt you receive whatever you purchase.

An alternate way to get ideas is always to check another Ditch Witch Fx30 Manual. This method for see exactly what may be included and adopt these ideas to your book. This site will almost certainly help you save time and effort, money and stress. If you are looking for free books then you really should consider finding to assist you try this. Several of Ditch Witch Fx30 Manual are for sale to free while some are payable. If you arent sure if the books you would like to download works with for usage along with your computer, it is possible to download free trials. The free guides make it easy for someone to free access online library for download books to your device. You can get free download on free trial for lots of books categories. Our library is the biggest of these that have literally hundreds of thousands of different products categories represented. You will also see that there are specific sites catered to different product types or categories, brands or niches related with Ditch Witch Fx30 Manual. So depending on what exactly you are searching, you will be able to choose e books to suit your own need. Need to access completely for Campbell Biology Seventh Edition book? Access Ebook without any digging. And by having access to our ebook online or by storing it on your computer, you have convenient answers with Ditch Witch Fx30 Manual To get started finding Ditch Witch Fx30 Manual, you are right to find our website which has a comprehensive collection of books online. Our library is the biggest of these that have literally hundreds of thousands of different products represented. You will also see that there are specific sites catered to different categories or niches related with Ditch Witch Fx30 Manual So depending on what exactly you are searching, you will be able tochoose ebook to suit your own need. Thank you for reading Ditch Witch Fx30 Manual. Maybe you have knowledge that, people have search numerous times for their favorite readings like this Ditch Witch Fx30 Manual, but end up in harmful downloads. Rather than reading a good book with a cup of coffee in the afternoon, instead they juggled with some harmful bugs inside their laptop. Ditch Witch Fx30 Manual is available in our book collection an online access to it is set as public so you can download it instantly. Our digital library spans in multiple locations, allowing you to get the most less latency time to download any of our books like this one. Merely said, Ditch Witch Fx30 Manual is universally compatible with any devices to read.

### **Find Ditch Witch Fx30 Manual :**

*frontline steel structures*

[fr daniel montalbano](#)

[free wedding planner book by mail 2022](#)

**free restaurant employee schedule template**

*friends and heroes curriculum*

[free louisiana chauffeur license practice test](#)

**fraction line plot**



free anatomy and physiology quizzes

**french revolution walking tour**

*fred astaire christmas songs*

free letter of recommendation for coworker

*frozen shoulder holistic treatment*

**four great novels of china**

*fundamentals of cognitive psychology 3rd edition*

*four pillars of freedom*

**Ditch Witch Fx30 Manual :**