



**DD-5**  
Digital Delay

**SERVICE NOTES**

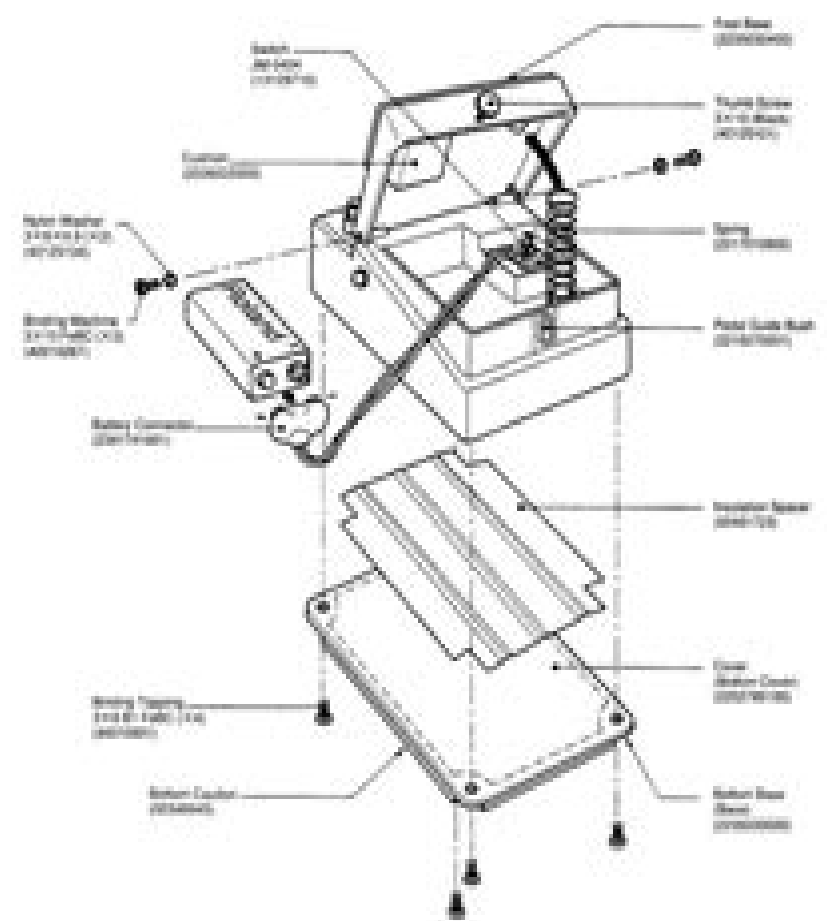
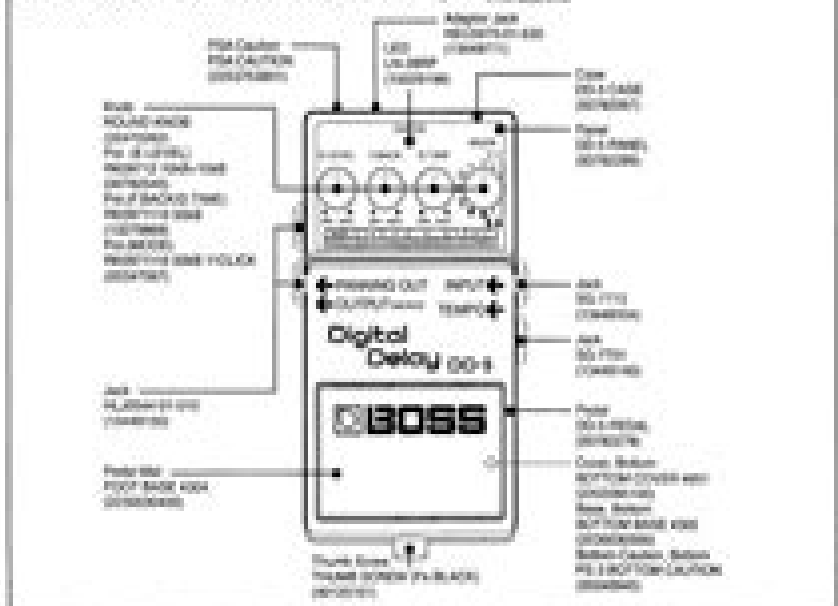
First Edition

EXPLODED VIEW / 分解図

SPECIFICATIONS / 仕様

■ Output Impedance	400Ω (nominal, 200Ω load)
■ Maximum Frequency	20kHz (nominal, 100Ω load) / 10kHz (load 100Ω, 200Ω load) / 5kHz (load 200Ω, 400Ω load)
■ Maximum Input Level	0dBu
■ Input Impedance	10kΩ
■ Maximum Output Level	0dBu
■ Output Impedance	400Ω
■ Recommended Load Impedance	400Ω or greater
■ Maximum Supply	0dBu or greater (20kΩ)
■ Minimum	-10dBu or greater (20kΩ)
■ Common	10kΩ (nominal)
■ Dynamic Range	90dB (100Ω load, 100kΩ load) / 100dB (100Ω load, 100kΩ load)
■ Noise	100dB (100Ω load, 100kΩ load) / 100dB (100Ω load, 100kΩ load)
■ Distortion	0.01% (100Ω load, 100kΩ load) / 0.01% (100Ω load, 100kΩ load)
■ Frequency Response	20Hz - 20kHz (±0.1dB)
■ Harmonic Distortion	0.01% (100Ω load, 100kΩ load) / 0.01% (100Ω load, 100kΩ load)
■ Intermodulation	0.01% (100Ω load, 100kΩ load) / 0.01% (100Ω load, 100kΩ load)
■ Power Supply	9V (alkaline battery)
■ Current Consumption	10mA (max.)
■ Standby Current	10mA (max.)
■ Dimensions	95mm (W) x 110mm (H) x 35mm (D)
■ Weight	100g (approx.)
■ Accessories	BOSS DD-5 Power Adapter (DD-5PA)

LOCATION OF CONTROLS / パネル配置図



# **Boss Dd5 Manual**

**Zhe Xu**



Boss Dd5 Manual

**BOSS 2** Rune Einersen,1975

**Boss 2. User's Manual** Søren Lauesen,1974

**Boss 2** Rune Einersen,Lars Otto Kjær Nielsen,Bent Bæk Jensen,1977

*The Hollander Manual* ,1954

The Boss Book Hal Leonard Publishing Corporation,2001 Book Why have guitarists bought over seven million Boss compact effects Read this book and you ll understand The Boss Book includes the story in complete detail of every Boss compact effect ever made super color photos design history trivia tricks and secrets candid interviews with the Boss founder and design engineers essays on musical trends and famous players and much more As a bonus the accompanying CD features 72 guitar sounds with control settings and detailed equipment set ups so you can take your guitar playing to another dimension I ve used Boss pedals since their inception For me Boss has always stood for simplicity reliability and great sounding very high quality effects Jeff Skunk Baxter Doobie Bros Steely Dan

Introduction to Guitar Tone & Effects , Guitar Educational An essential manual for getting the best sounds from electric guitars amplifiers effect pedals and digital processors This book CD pack features easy to follow instructions with more than 75 photos to teach the basics of guitar tone and effects The accompanying CD provides audio examples Readers will learn anatomy of the electric guitar controlling the electric guitar getting a good clean tone overdrive distortion and fuzz using equalizers compressors and limiters noise reduction modulation effects reverb and delay octavers and harmonizers special effects multi effect processors amp getting a good tone through your PC stylistic guitar tones famous effected guitarists and much more

The Monsters Know What They're Doing Keith Ammann,2019-10-29 From the creator of the popular blog The Monsters Know What They're Doing comes a compilation of villainous battle plans for Dungeon Masters In the course of a Dungeons Dragons game a Dungeon Master has to make one decision after another in response to player behavior and the better the players the more unpredictable their behavior It s easy for even an experienced DM to get bogged down in on the spot decision making or to let combat devolve into a boring slugfest with enemies running directly at the player characters and biting bashing and slashing away In The Monsters Know What They're Doing Keith Ammann lightens the DM s burden by helping you understand your monsters abilities and develop battle plans before your fifth edition D D game session begins Just as soldiers don t whip out their field manuals for the first time when they're already under fire a DM shouldn t wait until the PCs have just encountered a dozen bullywugs to figure out how they advance fight and retreat Easy to read and apply The Monsters Know What They're Doing is essential reading for every DM

D&D MORDENKAINEN'S TOME OF FOES Wizards RPG Team,2018-05-29 Discover the truth about the great conflicts of the D D multiverse in this supplement for the world s greatest roleplaying game This tome is built on the writings of the renowned wizard from the world of Greyhawk gathered over a lifetime of research and scholarship In his travels to other realms and other planes of existence he has made many friends and has risked his life an equal number of times to amass the knowledge contained herein In addition to Mordenkainen s musings on the endless wars of the multiverse the book contains game statistics for dozens of monsters new demons and devils several varieties of elves and duergar and a vast array of other creatures from throughout the planes of existence

**Guitar** Nigel Osborne,2016-10-24 This is the most authoritative and comprehensive reference work on the full range of guitar designs and playing styles ever produced An info packed and intricately detailed illustrated glossary that helps you talk guitar with authority Taking you all the way from deciding which instrument is best for you and your music to learning the essential techniques in ten of the most popular guitar styles and maximizing the potential of your guitar effects and amplifier this book is a one stop fast track to fluency in all aspects of the most influential icon in the history of popular music In this book the world s leading specialists tell you what ingredients go into a vast range of guitars and amplifiers to make them sound the way that they do coach you on making the most of your instruments effects and amps tutor you in the essential playing skills of genres from Rock to Jazz to classical and everything in between Contributors include Dave Hunter Tony Bacon Robert Benedetto Dave Burrluck Walter Carter Dough Chandler Paul Day James Stevenson Kari Bannerman David Braid Carl Filipiak Nestor Garcia Martin Goulding Lee Hodgson Max Milligan and Rikky Rooksby

Grave Misfortune: The USS Indianapolis Tragedy Richard A. Hulver,2019-06-03 Dedicated to the Sailors and Marines who lost their lives on the final voyage of USS Indianapolis and to those who survived the torment at sea following its sinking plus the crews that risked their lives in rescue ships The USS Indianapolis CA 35 was a decorated World War II warship that is primarily remembered for her worst 15 minutes This ship earned ten 10 battle stars for her service in World War II and was credited for shooting down nine 9 enemy planes However this fame was overshadowed by the first 15 minutes July 30 1945 when she was struck by two 2 torpedoes from Japanese submarine I 58 and sent to the bottom of the Philippine Sea The sinking of Indianapolis and the loss of 880 crew out of 1 196 most deaths occurring in the 4 5 day wait for a rescue delayed is a tragedy in U S naval history This historical reference showcases primary source documents to tell the story of Indianapolis the history of this tragedy from the U S Navy perspective It recounts the sinking rescue efforts follow up investigations aftermath and continuing communications efforts Included are deck logs to better understand the ship location when she sunk and testimony of survivors and participants For additional historical publications produced by the U S Naval History and Heritage Command please check out these resources here <https://bookstore.gpo.gov/agency/naval-history-heritage-command> Year 2016 marked the 71st anniversary of the sinking and another spike in public attention on the loss including a big screen adaptation of the story talk of future films documentaries and planned expeditions to locate the wreckage of the warship

**Curse of Strahd** Dungeons & Dragons,2016-03-15 Unravel the mysteries of Ravenloft in this dread adventure for the world s greatest roleplaying game Under raging storm clouds the vampire Count Strahd von Zarovich stands silhouetted against the ancient walls of Castle Ravenloft Rumbling thunder pounds the castle spires The wind s howling increases as he turns his gaze down toward the village of Barovia Far below yet not beyond his keen eyesight a party of adventurers has just entered his domain Strahd s face forms the barest hint of a smile as his dark plan unfolds He knew they were coming and he knows why they came all according to his plan A lightning flash rips through the darkness but Strahd is gone Only the howling of the wind fills the midnight air The master of Castle Ravenloft is having guests for dinner And you are invited

*MOAR! Monsters Know What They're Doing* Keith Ammann,2022-01-04 From the author of *The Monsters Know What They're Doing* comes a follow up strategy guide with MOAR monster tactics for Dungeon Masters playing fifth edition Dungeons Dragons Keith Ammann s first book based on his popular blog *The Monsters Know What They're Doing* unpacks strategies tactics and motivations for creatures found in the Dungeons Dragons Monster Manual Now in *MOAR! Monsters Know What They're Doing* he analyzes the likely combat behaviors of more than 100 new enemies found in *Volo s Guide to Monsters* and *Mordenkainen s Tome of Foes* Your campaign will never be the same

**VAN RICHTEN'S GUIDE TO RAVENLOFT (ALTERNATE COVER) ,2021**

**Dungeons & Dragons Monster Manual (Core Rulebook, D&D Roleplaying Game)** Dungeons & Dragons,2014-09-30 Fill your Dungeons Dragons games with deadly monsters from the Monster Manual The Monster Manual teaches you how to how to fill your Dungeons Dragons games with monsters how to populate the game with pesky goblins and mighty dragons for players to battle or beguile outwit or outrun Inside the Monster Manual you ll find more than 150 classic D D creatures with vivid illustrations and rich descriptions to help breathe life into your zombies and liches What if I told you about the best book of monsters ever The 5E Monster Manual just might be the one Ed Grabianowski io9 Gizmodo com D D acolytes are everywhere Tech workers from Silicon Valley to Brooklyn have long running campaigns and the showrunners and the novelist behind Game of Thrones have all been Dungeon Masters Neima Jahromi The New Yorker The Monster Manual is one of the three main Dungeons Dragons books along with the Player s Handbook and the Dungeon Master s Guide It s an essential resource for Dungeon Masters to use in populating any type of challenge they might contrive for their players From an angel s wingspan to the vacant eyes of a zombie beholder the Monster Manual includes more than 150 creatures illustrated in vivid color with more than 400 quick reference tables to help you bring them to life with ease Rich descriptions of each monster help trigger your imagination From the familiar vampires hate sunlight to the arcane what color is the vapor from a gorgon s nose the Monster Manual helps inspire your decisions and keep the game flowing smoothly In Dungeons Dragons you and your friends coauthor your own legend Guided by a Dungeon Master you create characters and play their roles in a story rolling dice and navigating maps as you unfold a tale as limitless as your imagination Dungeons Dragons is the world s greatest roleplaying game Created in 1974 D D transformed gaming culture by blending traditional fantasy with miniatures and wargaming

*Electronic Projects for Musicians* Craig Anderton,1980 Shows how to build a preamp ring modulator phase shifter and other electronic musical devices and provides a basic introduction to working with electronic components

*Tome of Battle* Richard Baker, Frank Brunner, Matthew Sernett,2006 The nine martial disciplines presented in this supplement allow a character with the proper knowledge and focus to perform special combat maneuvers and nearly magical effects Information is also included on new magic items and spells and new monsters and organizations

*The Hillsong Movement Examined* Tanya Riches, Tom Wagner,2017-11-02 This interdisciplinary volume brings together leading writers and thinkers to provide a critique of a broad range of topics related to Hillsong Church Hillsong is one of the most influential visible and in some circles controversial religious organizations movements of the past thirty years Although it has received significant attention from both the academy and the popular press the vast majority of the scholarship lacks the scope and nuance necessary to understand the complexity of the movement or its implications for the social cultural political spiritual and religious milieus it inhabits This volume begins to redress this by filling important gaps in knowledge as well as introducing different audiences to new perspectives In doing so it enriches our understanding of one of the most influential Christian organizations of the late 20th and early 21st centuries

*Odyssey of the Dragonlords RPG* Modiphius,2020-03-03 Campaign book compatible with the 5E edition rules of Dungeons Dragons

**Rise of the Drow** Jonathan G. Nelson, Stephen Yeardley, 2020-04 Rise of the Drow Collector's Edition is a 5th Edition compatible mega adventure and setting for levels 1-15, 16-20 with exploration. Tonight a ceremony of light is taking place on the surface. Meanwhile a world away in the city of spiders a drow matron solidifies a pact with soul-consuming entities who require great sacrifices in trade for unimaginable power. Drow eyes turn to the surface. This book contains a mega adventure and setting taking characters across the surface and into the depths of the world. Adventurers will meet unique denizens, battle horrors of the Underworld, explore epic locations and fight to stop the rise of the drow.

**Player's Option: Heroes of the Feywild** Rodney Thompson, Claudio Pozas, Steve Townshend, 2011-06-30 This book enables players to weave elements of the Feywild into their existing and future characters. It contains exciting new character builds and options that are thematically rooted to the Feywild, a wild and verdant plane of arcane splendor full of dangerous and whimsical creatures.

Boss Dd5 Manual: Bestsellers in 2023 The year 2023 has witnessed a noteworthy surge in literary brilliance, with numerous captivating novels enthralling the hearts of readers worldwide. Lets delve into the realm of popular books, exploring the fascinating narratives that have enthralled audiences this year. The Must-Read : Colleen Hoover's "It Ends with Us" This poignant tale of love, loss, and resilience has captivated readers with its raw and emotional exploration of domestic abuse. Hoover skillfully weaves a story of hope and healing, reminding us that even in the darkest of times, the human spirit can triumph. Uncover the Best : Taylor Jenkins Reids "The Seven Husbands of Evelyn Hugo" This captivating historical fiction novel unravels the life of Evelyn Hugo, a Hollywood icon who defies expectations and societal norms to pursue her dreams. Reids captivating storytelling and compelling characters transport readers to a bygone era, immersing them in a world of glamour, ambition, and self-discovery. Boss Dd5 Manual : Delia Owens "Where the Crawdads Sing" This mesmerizing coming-of-age story follows Kya Clark, a young woman who grows up alone in the marshes of North Carolina. Owens spins a tale of resilience, survival, and the transformative power of nature, entrancing readers with its evocative prose and mesmerizing setting. These bestselling novels represent just a fraction of the literary treasures that have emerged in 2023. Whether you seek tales of romance, adventure, or personal growth, the world of literature offers an abundance of captivating stories waiting to be discovered. The novel begins with Richard Papen, a bright but troubled young man, arriving at Hampden College. Richard is immediately drawn to the group of students who call themselves the Classics Club. The club is led by Henry Winter, a brilliant and charismatic young man. Henry is obsessed with Greek mythology and philosophy, and he quickly draws Richard into his world. The other members of the Classics Club are equally as fascinating. Bunny Corcoran is a wealthy and spoiled young man who is always looking for a good time. Charles Tavis is a quiet and reserved young man who is deeply in love with Henry. Camilla Macaulay is a beautiful and intelligent young woman who is drawn to the power and danger of the Classics Club. The students are all deeply in love with Morrow, and they are willing to do anything to please him. Morrow is a complex and mysterious figure, and he seems to be manipulating the students for his own purposes. As the students become more involved with Morrow, they begin to commit increasingly dangerous acts. The Secret History is a brilliant and thrilling novel that will keep you speculating until the very end. The novel is a cautionary tale about the dangers of obsession and the power of evil.

[https://offsite.creighton.edu/results/uploaded-files/fetch.php/human\\_anatomy\\_drawing\\_practice.pdf](https://offsite.creighton.edu/results/uploaded-files/fetch.php/human_anatomy_drawing_practice.pdf)

<https://offsite.creighton.edu/results/uploaded-files/fetch.php/i%20love%20you%20to%20the%20moon%20and%20back%20similar%20quotes.pdf>

<https://offsite.creighton.edu/results/uploaded-files/fetch.php/I%20Ching%20Pdf.pdf>

## **Table of Contents Boss Dd5 Manual**

1. Understanding the eBook Boss Dd5 Manual
  - The Rise of Digital Reading Boss Dd5 Manual
  - Advantages of eBooks Over Traditional Books
2. Identifying Boss Dd5 Manual
  - Exploring Different Genres
  - Considering Fiction vs. Non-Fiction
  - Determining Your Reading Goals
3. Choosing the Right eBook Platform
  - Popular eBook Platforms
  - Features to Look for in an Boss Dd5 Manual
  - User-Friendly Interface
4. Exploring eBook Recommendations from Boss Dd5 Manual
  - Personalized Recommendations
  - Boss Dd5 Manual User Reviews and Ratings
  - Boss Dd5 Manual and Bestseller Lists
5. Accessing Boss Dd5 Manual Free and Paid eBooks
  - Boss Dd5 Manual Public Domain eBooks
  - Boss Dd5 Manual eBook Subscription Services
  - Boss Dd5 Manual Budget-Friendly Options
6. Navigating Boss Dd5 Manual eBook Formats
  - ePub, PDF, MOBI, and More
  - Boss Dd5 Manual Compatibility with Devices
  - Boss Dd5 Manual Enhanced eBook Features
7. Enhancing Your Reading Experience
  - Adjustable Fonts and Text Sizes of Boss Dd5 Manual
  - Highlighting and Note-Taking Boss Dd5 Manual
  - Interactive Elements Boss Dd5 Manual
8. Staying Engaged with Boss Dd5 Manual



- Joining Online Reading Communities
  - Participating in Virtual Book Clubs
  - Following Authors and Publishers Boss Dd5 Manual
9. Balancing eBooks and Physical Books Boss Dd5 Manual
- Benefits of a Digital Library
  - Creating a Diverse Reading Collection Boss Dd5 Manual
10. Overcoming Reading Challenges
- Dealing with Digital Eye Strain
  - Minimizing Distractions
  - Managing Screen Time
11. Cultivating a Reading Routine Boss Dd5 Manual
- Setting Reading Goals Boss Dd5 Manual
  - Carving Out Dedicated Reading Time
12. Sourcing Reliable Information of Boss Dd5 Manual
- Fact-Checking eBook Content of Boss Dd5 Manual
  - Distinguishing Credible Sources
13. Promoting Lifelong Learning
- Utilizing eBooks for Skill Development
  - Exploring Educational eBooks
14. Embracing eBook Trends
- Integration of Multimedia Elements
  - Interactive and Gamified eBooks

## **Boss Dd5 Manual Introduction**

In the digital age, access to information has become easier than ever before. The ability to download Boss Dd5 Manual has revolutionized the way we consume written content. Whether you are a student looking for course material, an avid reader searching for your next favorite book, or a professional seeking research papers, the option to download Boss Dd5 Manual has opened up a world of possibilities. Downloading Boss Dd5 Manual provides numerous advantages over physical copies of books and documents. Firstly, it is incredibly convenient. Gone are the days of carrying around heavy textbooks or bulky folders filled with papers. With the click of a button, you can gain immediate access to valuable resources on any device. This

---

convenience allows for efficient studying, researching, and reading on the go. Moreover, the cost-effective nature of downloading Boss Dd5 Manual has democratized knowledge. Traditional books and academic journals can be expensive, making it difficult for individuals with limited financial resources to access information. By offering free PDF downloads, publishers and authors are enabling a wider audience to benefit from their work. This inclusivity promotes equal opportunities for learning and personal growth. There are numerous websites and platforms where individuals can download Boss Dd5 Manual. These websites range from academic databases offering research papers and journals to online libraries with an expansive collection of books from various genres. Many authors and publishers also upload their work to specific websites, granting readers access to their content without any charge. These platforms not only provide access to existing literature but also serve as an excellent platform for undiscovered authors to share their work with the world. However, it is essential to be cautious while downloading Boss Dd5 Manual. Some websites may offer pirated or illegally obtained copies of copyrighted material. Engaging in such activities not only violates copyright laws but also undermines the efforts of authors, publishers, and researchers. To ensure ethical downloading, it is advisable to utilize reputable websites that prioritize the legal distribution of content. When downloading Boss Dd5 Manual, users should also consider the potential security risks associated with online platforms. Malicious actors may exploit vulnerabilities in unprotected websites to distribute malware or steal personal information. To protect themselves, individuals should ensure their devices have reliable antivirus software installed and validate the legitimacy of the websites they are downloading from. In conclusion, the ability to download Boss Dd5 Manual has transformed the way we access information. With the convenience, cost-effectiveness, and accessibility it offers, free PDF downloads have become a popular choice for students, researchers, and book lovers worldwide. However, it is crucial to engage in ethical downloading practices and prioritize personal security when utilizing online platforms. By doing so, individuals can make the most of the vast array of free PDF resources available and embark on a journey of continuous learning and intellectual growth.

### **FAQs About Boss Dd5 Manual Books**

How do I know which eBook platform is the best for me? Finding the best eBook platform depends on your reading preferences and device compatibility. Research different platforms, read user reviews, and explore their features before making a choice. Are free eBooks of good quality? Yes, many reputable platforms offer high-quality free eBooks, including classics and public domain works. However, make sure to verify the source to ensure the eBook credibility. Can I read eBooks without an eReader? Absolutely! Most eBook platforms offer web-based readers or mobile apps that allow you to read eBooks on your computer, tablet, or smartphone. How do I avoid digital eye strain while reading eBooks? To prevent digital

eye strain, take regular breaks, adjust the font size and background color, and ensure proper lighting while reading eBooks. What the advantage of interactive eBooks? Interactive eBooks incorporate multimedia elements, quizzes, and activities, enhancing the reader engagement and providing a more immersive learning experience. Boss Dd5 Manual is one of the best book in our library for free trial. We provide copy of Boss Dd5 Manual in digital format, so the resources that you find are reliable. There are also many Ebooks of related with Boss Dd5 Manual. Where to download Boss Dd5 Manual online for free? Are you looking for Boss Dd5 Manual PDF? This is definitely going to save you time and cash in something you should think about.

### **Find Boss Dd5 Manual :**

*human anatomy drawing practice*

[i love you to the moon and back similar quotes](#)

*i ching pdf*

[icc mechanical inspector certification](#)

**ib paper 1 english example**

[how was william shakespeare childhood](#)

*ice bear scooter repair manual*

**hvac blueprint reading**

*iep study skills goals*

**hugh m browne**

**ib biology paper 2 questions and answers**

*icao technical instructions*

**i suppose to**

*illinois department of ag pesticide license*

**i'm glad my mom died.pdf**

### **Boss Dd5 Manual :**

**hayate the combat butler vol 34 34 softcover abebooks** - Feb 13 2023

web hayate the combat butler vol 34 ebook hata kenjiro amazon co uk kindle store

**hayate the combat butler vol 34 apple books** - Mar 14 2023

---

web since the tender age of nine hayate ayasaki has busted his behind at various part time jobs to support his degenerate gambler parents and how do they repay their son s

**hayate the combat butler vol 34 by kenjiro hata goodreads** - May 04 2022

web hayate the combat butler vol 42 graphic novel pre order est release date sep 19 2023 isbn 9781974724987 9 99 racs price 8 98 quantity hayate the combat

**viz read a free preview of hayate the combat** - Jun 17 2023

web sep 10 2019 ayumu is determined to spend the summer under the same roof as hayate but how can a perfectly ordinary teenage girl afford a room of her own meanwhile the

hayate the combat butler 34 volume 34 amazon co uk hata - Dec 11 2022

web oct 3 2019 hayate the combat butler vol 34 by kenjiro hata a hilarious tale of butlers love and battles since the tender age of nine hayate ayasaki has busted his behind at

**hayate the combat butler nautiljon com** - Mar 02 2022

web jan 30 2015 hayate the combat butler türkçe altyazılı pshturkey park shin hye xiao zhi hu george ling qi sa hayate chu de kang ke lao fu li tia maria lee sean

**hayate the combat butler vol 34 by kenjiro hata new** - Nov 10 2022

web sep 10 2019 a hilarious tale of butlers love and battles since the tender age of nine hayate ayasaki has busted his behind at various part time jobs

*hayate the combat butler graphic novels anime corner store* - Apr 03 2022

web synopsis majordome pour le meilleur et pour le pire hayate est un jeune homme de 16 ans à qui les parents ont laissé une dette colossale d environ 160 millions de yens ils

hayate the combat butler vol 34 by kenjiro hata waterstones - Sep 08 2022

web hayate the combat butler vol 34 volume 34 hata kenjiro amazon ca books skip to main content ca hello select your address books select the department you want to

**hayate the combat butler türkçe altyazılı pshturkey** - Feb 01 2022

**hayate the combat butler tv series 2011 imdb** - Dec 31 2021

*hayate the combat butler vol 34 book by kenjiro hata official* - Jul 18 2023

web hayate the combat butler vol 34 by kenjiro hata a hilarious tale of butlers love and battles since the tender age of nine hayate ayasaki has busted his hayate the

**hayate the combat butler vol 34 amazon com** - Aug 19 2023

web jun 22 2021 hayate the combat butler vol 34 kindle edition by hata kenjiro download it once and read it on your kindle device pc phones or tablets use features

**hayate the combat butler vol 34 volume 34 paperback** - Jul 06 2022

web since the tender age of nine hayate ayasaki has busted his behind at various part time jobs to support his degenerate gambler parents and how do they repay their son s

**hayate the combat butler vol 34 volume 34 paperback** - Aug 07 2022

web hayate the combat butler vol 34 volume 34 hata kenjiro hata kenjiro amazon com au books

**hayate the combat butler vol 34 paperback barnes noble** - Oct 09 2022

web oct 3 2019 in stock usually dispatched within 2 3 working days quantity add to basket synopsis a hilarious tale of butlers love and battles since the tender age of nine

**hayate the combat butler vol 34 by kenjiro hata alibris** - Jun 05 2022

web oct 18 2012 hayate the combat butler 34 hayate the combat butler vol 34 kenjirō hata 3 63 19

**hayate the combat butler vol 34 kindle comixology** - Jan 12 2023

web buy hayate the combat butler 34 volume 34 01 by hata kenjiro isbn 9781974705665 from amazon s book store everyday low prices and free delivery on eligible orders

**hayate the combat butler volume 34 overdrive** - May 16 2023

web sep 10 2019 hayate the combat butler vol 34 34 hata kenjiro on amazon com free shipping on qualifying offers hayate the combat butler vol 34 34

**hayate the combat butler 34 volume 34 kağıt kapak** - Sep 20 2023

web hayate the combat butler 34 volume 34 hata kenjiro amazon com tr kitap Çerez tercihlerinizi seçin Çerez bildirimimizde ayrıntılı şekilde açıklandığı üzere alışveriş

**hayate the combat butler vol 34 34 amazon com** - Apr 15 2023

web jun 22 2021 the boardinghouse is about to get even more crowded ayumu is determined to spend the summer under the same roof as hayate but how can a perfectly ordinary

*schatten schwarzen land pharaonin* by mangal monika abebooks - Oct 13 2022

web schatten über dem schwarzen land die pharaonin by mangal monika and a great selection of related books art and collectibles available now at abebooks com schatten schwarzen land pharaonin by mangal monika abebooks

**9781728607474 schatten über dem schwarzen land die pharaonin** - Nov 14 2022

web schatten über dem schwarzen land die pharaonin finden sie alle bücher von mangal monika bei der büchersuchmaschine

eurobuch de können sie antiquarische und neubücher vergleichen und sofort zum bestpreis bestellen 9781728607474 letzter teil der romantrilogie über das turbulente ende der neunzehnten

**amazon co jp schatten über dem schwarzen land die pharaonin** - May 08 2022

web nov 1 2018 amazon co jp schatten über dem schwarzen land die pharaonin german edition □□□□ mangal monika kindle□  
□□

**schatten über dem schwarzen land die pharaonin german** - Jul 10 2022

web schatten über dem schwarzen land die pharaonin german edition ebook mangal monika amazon es tienda kindle

**schatten über dem schwarzen land die pharaonin german** - Jan 16 2023

web schatten über dem schwarzen land die pharaonin german edition ebook mangal monika amazon in kindle store

*schatten über dem schwarzen land die pharaonin goodreads* - Jun 21 2023

web letzter teil der romantrilogie über das turbulente ende der neunzehnten pharaonischen dynastie kaum hat tawosret ihren jüngsten schicksalsschlag überwunden wird sie von siptah vor eine schwierige entscheidung gestellt

**schatten türkisch Übersetzung langenscheidt deutsch** - Feb 05 2022

web schatten deutsch türkisch Übersetzung für schatten die angabe der e mail adresse ist optional und dient gemäß unserem datenschutz nur zur beantwortung ihrer anfrage wozu möchten sie uns feedback geben ihr feedback ihre e mail adresse optional bitte bestätigen sie dass sie ein mensch sind indem sie ein häkchen

*schatten über dem schwarzen land die pharaonin german* - Jul 22 2023

web nov 1 2018 letzter teil der romantrilogie über das turbulente ende der neunzehnten pharaonischen dynastie kaum hat tawosret ihren jüngsten schicksalsschlag überwunden wird sie von siptah vor eine schwierige entscheidung gestellt vorsichtig geworden wählt sie diejenige alternative die sie für die sicherere hält nicht ahnend was für einen

**schatten über dem schwarzen land die pharaonin abebooks** - Dec 15 2022

web schatten über dem schwarzen land die pharaonin von mangal monika bei abebooks de isbn 10 1728607477 isbn 13 9781728607474 independently published 2018 softcover

*land der pharaonen film 1955 moviepilot* - Apr 07 2022

web dieser kolossalfilm spielt zur zeit des pyramidenbaus er schildert kampf und leben des großen pharao und seiner habgierigen und herrschsüchtigen frau der schönen prinzessin nellifer mit

[schatten über dem schwarzen land die pharaonin kindle edition amazon de](#) - Feb 17 2023

web schatten über dem schwarzen land die pharaonin ebook mangal monika amazon de kindle store

[schatten über dem schwarzen land die pharaonin german](#) - Jun 09 2022

web achetez et téléchargez ebook schatten über dem schwarzen land die pharaonin german edition boutique kindle romans

historiques amazon fr

**schatten ueber dem schwarzen land die pharaonin amazon** - Mar 18 2023

web schatten ueber dem schwarzen land die pharaonin mangal monika amazon sg books

**schatten über dem schwarzen land die pharaonin german** - Apr 19 2023

web oct 28 2018 amazon com schatten über dem schwarzen land die pharaonin german edition 9781728607474 mangal monika books

*schatten über dem schwarzen land die pharaonin german* - Aug 11 2022

web schatten über dem schwarzen land die pharaonin german edition ebook mangal monika amazon com mx tienda kindle

schatten türkisch Übersetzung deutsch beispiele reverso - Mar 06 2022

web Übersetzung im kontext von schatten in deutsch türkisch von reverso context im schatten buch der schatten eigenen schatten licht und schatten

*schatten über dem schwarzen land die pharaonin amazon de* - May 20 2023

web schatten über dem schwarzen land die pharaonin mangal monika amazon de books

*schatten über dem schwarzen land die pharaonin kindle ausgabe amazon de* - Sep 24 2023

web schatten über dem schwarzen land die pharaonin kindle ausgabe von monika mangal autor format kindle ausgabe 4 0 von 5 sternen 176 sternebewertungen

**schatten über dem schwarzen land die pharaonin taschenbuch amazon de** - Aug 23 2023

web schatten über dem schwarzen land die pharaonin mangal monika isbn 9781728607474 kostenloser versand für alle bücher mit versand und verkauf duch amazon

**schatten über dem schwarzen land die pharaonin paperback** - Sep 12 2022

web schatten über dem schwarzen land die pharaonin mangal monika on amazon com au free shipping on eligible orders

schatten über dem schwarzen land die pharaonin

**oedipe roi sophocle 2081451948 cultura** - Jun 01 2022

web oedipe roi sophocle auteur descriptif détaillé neuf 3 90 occasion 3 29 poche 3 90 epub 1 99 téléchargement direct grand format 14 50 voir tous les formats vendu et expédié par cultura État neuf en stock en ligne livraison en magasin dès le 17 07 23 ajouter 3 90 stock en magasin retrouvez le produit près de chez vous

*sophocle Œdipe roi espacefrancais com* - Mar 30 2022

web Œdipe roi le film de pasolini Œdipe roi est un film italien sorti en 1967 et réalisé par pier paolo pasolini il est inspiré de la tragédie éponyme de sophocle de sa suite Œdipe à colone et plus généralement du mythe d Œdipe l Œdipe roi de pasolini s affiche comme une réécriture de la pièce de sophocle

**oedipe roi sophocle 2070466213 livres de poche cultura** - Jul 02 2022

web oedipe roi sophocle auteur descriptif détaillé poche 3 50 epub 7 99 téléchargement direct grand format 14 50 voir tous les formats réservez en ligne retirez sous 4h livraison gratuite en magasin retour en magasin sous 30 jours description descriptif du fournisseur la ville de thèbes est ravagée par la peste

**oedipe roi sophocle babelio** - Sep 04 2022

web feb 22 2023 dans mon cursus universitaire je suis tenue de lire certains ouvrages majoritairement des classiques ce qui m'a amenée à découvrir le très célèbre oedipe roi de sophocle nous suivons le tragique destin de ce personnage oedipe roi de thèbes il doit sortir la ville d'une période sombre en découvrant qui a tué l'ancien roi de

**oedipe roi suivi de le mythe d oedipe poche fnac** - Mar 10 2023

web jun 5 2015 voir tout dans folioplus classiques le texte intégral enrichi d'une lecture d'image écho pictural de l'œuvre et l'anthologie sont suivis de leur mise en perspective organisée en six points mouvement littéraire mythe et littérature genre et registre du théâtre au roman les avatars d'oedipe

*oedipe roi edition bilingue français grec poche decitre* - Nov 06 2022

web sep 28 2002 oedipe roi edition bilingue français grec de sophocle collection classiques en poche livraison gratuite à 0 01 dès 35 d'achat librairie decitre votre prochain livre est là

**oedipe roi le livre de poche** - Oct 17 2023

web oct 5 1994 oedipe roi sophocle francis goyet postfacier victor henri debidour traducteur acheter le livre 2 80 détails thème théâtre un mal mystérieux s'est abattu sur la ville de thèbes ses terres et ses troupeaux sont frappés de stérilité la population est décimée les femmes ne portent plus d'enfants

**classique hachette oedipe roi sophocle 60 poche** - Dec 07 2022

web 1670818 format 110 x 180 mm poids 145 g arrêt de commercialisation cet article n'est plus disponible n'hésitez pas à consulter les autres ouvrages de la collection autres supports de la collection oeuvres classiques français 2de 1re Éd 2006 oeuvres classiques français 2de 1re Éd 2005 oeuvres classiques français lecture 6e Éd 2009

*oedipe roi texte intégral et dossier poche sophocle fnac* - Aug 03 2022

web texte intégral et dossier oedipe roi sophocle bordas des milliers de livres avec la livraison chez vous en 1 jour ou en magasin avec 5 de réduction

**oedipe roi de sophocle poche livre decitre** - Jun 13 2023

web jul 21 1999 un classique un classique de sophocle dans lequel oedipe roi de thèbes adoré par son peuple pour avoir résolu l'enigme du sphinx découvre son terrible destin il est celui à cause de qui la peste s'abat sur la ville il est responsable de l'épidémie car il est coupable d'avoir tué son père et épousé sa mère



*Œdipe roi poche sophocle daniel loayza achat livre ou* - Feb 09 2023

web mar 27 2019 Œdipe roi sophocle daniel loayza flammariion des milliers de livres avec la livraison chez vous en 1 jour ou en magasin avec 5 de réduction ou téléchargez la version ebook

**Œdipe roi wikipédia** - Oct 05 2022

web Œdipe roi en grec ancien Οἰδίπους τύραννος oídipous túrannos en latin Œdipus rex est une tragédie grecque de sophocle représentée entre 430 et 420 av j c 1 elle met en scène la découverte par Œdipe de son terrible destin

*oedipe roi poche sophocle achat livre ou ebook fnac* - Apr 11 2023

web sep 2 2015 un classique un classique de sophocle dans lequel oedipe roi de thèbes adoré par son peuple pour avoir résolu l énigme du sphinx découvre son terrible destin il est celui a cause de qui la peste s abats sur la ville il est lire la suite

**Œdipe roi collection classiques en poche les belles lettres** - Sep 16 2023

web Œdipe roi incarne le mythe grec le plus radical sur l homme et la tragédie la plus accomplie du plus classique des tragiques grecs condamné par le destin à tuer son père et à épouser sa mère Œdipe a fui loin de ceux qu il croit ses parents pour aller tuer un homme au carrefour de deux routes son père puis épouser la reine

*oedipe roi sophocle 2080711261 livres de poche cultura* - Apr 30 2022

web oedipe roi par sophocle aux éditions romans polars thriller romance fantasy science fiction aventure feel good développement personnel romans poche voir jeux de société jeux en famille jeux d ambiance jeux de société enfant jeux de société adulte jeux de stratégie jeux de rôle jeux classiques jeux d enquêtes et escapes games

**Œdipe roi poche sophocle jean grosjean achat livre fnac** - Jul 14 2023

web aug 27 2015 elle se suicide il se crève les yeux et s exile une des plus belles tragédies de l histoire modèle de l enquête policière et de son suspens de la peinture de la destruction de soi et des relations troubles qui tissent les liens familiaux

grande interrogation jetée au destin cette pièce est à l

*pdf oedipe roi classiques de poche cyberlab sutd edu sg* - Feb 26 2022

web oedipe roi classiques de poche religious life feb 05 2021 the face and faciality in medieval french literature 1170 1390

may 30 2020 modern theoretical approaches throw new light on the concepts of face and faciality in the roman de la rose and other french texts from the middle ages

*amazon fr oedipe roi sophocle goyet francis debidour* - Aug 15 2023

web l oedipe roi de sophocle est un monument de la littérature universelle ce texte a servi de matrice et d inspiration à tellement d autres sans parler des usages non littéraires du mythe d oedipe dans la pièce de sophocle oedipe est le héros tragique par excellence

**Œdipe roi de sophocle editions flammariion** - May 12 2023

web mar 27 2019 Œdipe roi présentation du livre de sophocle publié aux éditions flammarion pour déjouer la prédiction funeste selon laquelle il tuera son père et partagera le lit de sa mère Œdipe quitte les siens parvenu à thèbes il libère ses habitants de l'emprise de la sphinx

**oedipe roi de sophocle poche livre decitre** - Jan 08 2023

web aug 26 2015 un classique de sophocle dans lequel oedipe roi de thèbes adoré par son peuple pour avoir résolu l'enigme du sphinx découvre son terrible destin il est celui à cause de qui la peste s'abat sur la ville il est responsable de l'épidémie car il est coupable d'avoir tué son père et épousé sa mère