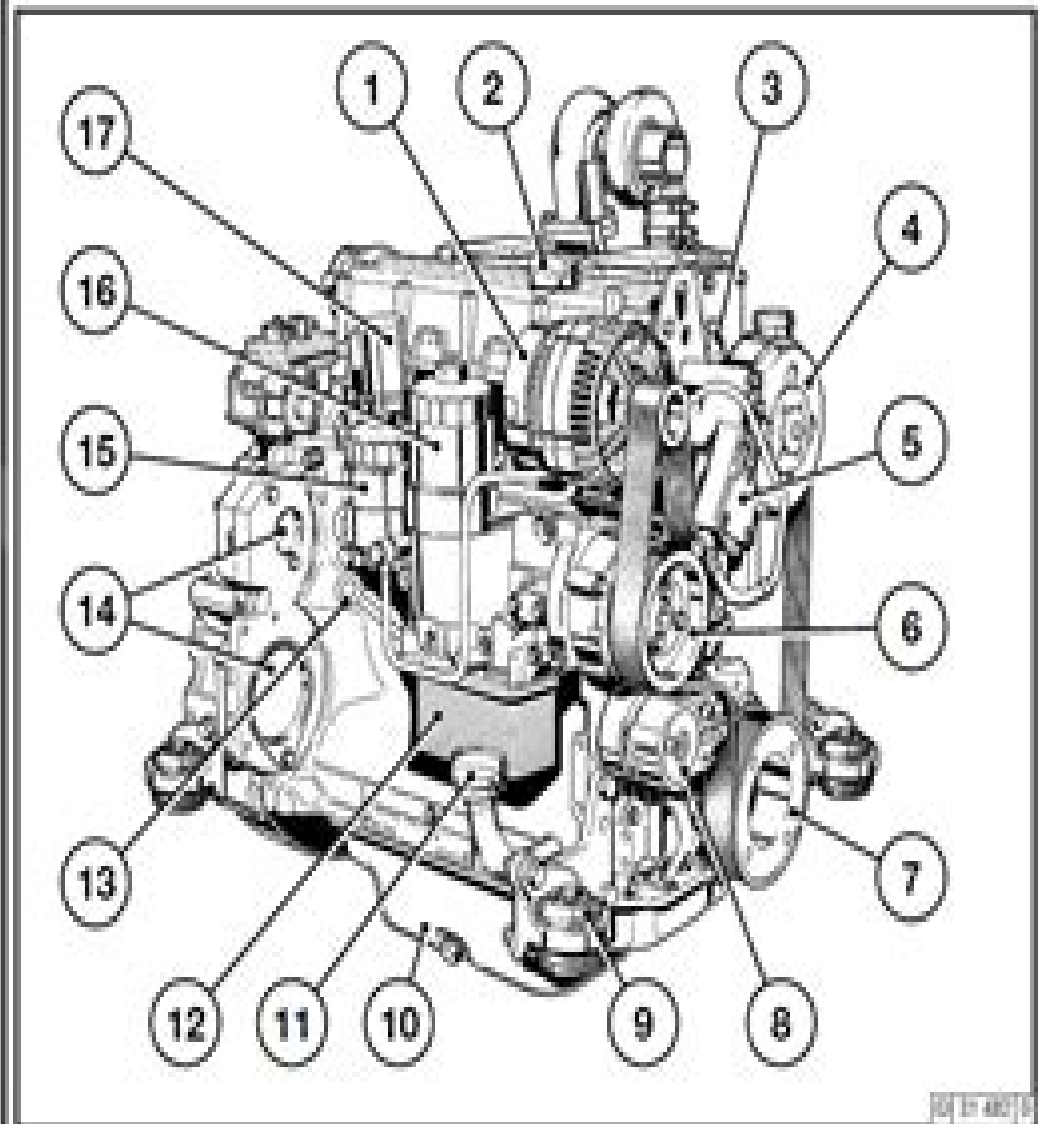


Thumbnail navigation pane showing a series of document pages. The bottom-most thumbnail is highlighted with a blue border.

2.2.1 Operating Side 2012 Ribbed V-belt drive



- 1 Alternator
- 2 Oil filter
- 3 Coolant connection compensation line
- 4 Fan pulley
- 5 Fuel pump
- 6 Coolant pump
- 7 Ribbed V-belt pulley on crankshaft
- 8 Tension roller
- 9 Feet
- 10 Oil pan
- 11 Oil filter neck
- 12 Oil filter housing with engine oil cooler
- 13 Oil dipstick
- 14 Optional attachment of Compressor or hydraulic pump
- 15 Fuel filter cartridge
- 16 Oil filter cartridge
- 17 Tractive electromagnet

Deutz Bf4m 2012 Manual

Guillaume Favre



Deutz Bf4m 2012 Manual

central evaluation unit case study solution and analysis of - Sep 28 2022

web central evaluation unit case study operation management evaluation systems in development co operation 2016 review
apr 19 2022 evaluation is widely recognised

central evaluation unit case study operation management - Jun 25 2022

web central evaluation unit case study operation management central evaluation unit case study operation management 2
downloaded from ceu social on 2019 07

solved case study the central evaluation unit the - Jan 01 2023

web operations management is important in all types of organization the input transformation output process the process
hierarchy operations processes have different

the central evaluation unit operation management free essays - Nov 30 2022

web step 11 recommendations for central evaluation unit case study solution there should be only one recommendation to
enhance the company s operations and its

central evaluation unit case study operation management - Feb 19 2022

web central evaluation unit case study operation management is available in our book collection an online access to it is set
as public so you can get it instantly our book

the central evaluation unit by mariana furnari prezi - Mar 03 2023

web the central evaluation unit ceu evaluate applications from academics for research grants the ceu s objectives were to
make decisions that were consistently in line with

central evaluation unit case study operation management - Jul 27 2022

web mar 6 2023 central evaluation unit case study operation management member that we provide here and check out the
link you could buy lead central evaluation unit

the central evaluation unit 1485 words studymode - Oct 30 2022

web central evaluation unit case study operation management production operations management aug 18 2021 this book
takes a pedagogical approach that is participative

case study the central evaluation unit 2 pdf scribd - Aug 08 2023

web operations management questions and answers case study the central evaluation unit the central evaluation unit ceu of
the xill directorate evaluated applications from

solved case study the central evaluation unit the central chegg - Jul 07 2023

web mar 16 2021 case study the central evaluation unit source slack operations process management the central evaluation unit ceu of the xiii directorate

case study the central evaluation unit slack the - Oct 10 2023

web mar 8 2020 case study the central evaluation unit slack pdf solutions available uni ulster economics eco701 véronique fontan was the manager in charge of

case study the central evaluation unit pdf scribd - Apr 04 2023

web case study the central evaluation unit source slack operations process management the central evaluation unit ceu of the xiii directorate evaluated

central evaluation unit case pdf ebook and manual free - Jan 21 2022

web just invest tiny grow old to get into this on line message central evaluation unit case study operation management as without difficulty as evaluation them wherever you

02 assignment central evolution unit pdf operations - Sep 09 2023

web case study the central evaluation unit 2 free download as word doc doc docx pdf file pdf text file txt or read online for free case study of operations

case study the central evaluation unit slack pdf case - Jun 06 2023

web apr 22 2021 this paper intends to review relevant literatures and offer a comprehensive framework for using the case study method in particular settings to address this we

central evaluation unit case study operation management - May 25 2022

web central evaluation unit case study operation management 1 7 downloaded from uniport edu ng on may 31 2023 by guest central evaluation unit case study

central evaluation unit case study operation management - Apr 23 2022

web oct 9 2023 central evaluation unit case study operation management 1 1 downloaded from uniport edu ng on october 9 2023 by guest central evaluation unit

central evaluation unit case study operation management - Aug 28 2022

web central evaluation unit case study answersanswer to the central evaluation unit task 1 analyse and evaluate the processing of new applications at the ceupu solved the

central evaluation unit case study operation management book - Dec 20 2021

case study the central evaluation unit assignmenthub net - Feb 02 2023

web operations management reaction paper on the case study central evaluation unit july 21 2012 submitted by caesar t michelena the xiii directorate of

[a review of case study method in operations](#) - May 05 2023

web case study chatsworth the adventure playground decision chatsworth the home of the 12th duke and duchess of devonshire is one of the finest and most palatial houses

central evaluation unit case study operation management - Mar 23 2022

web sca860 10006 pdf 860 10006 860 10026 central control unit order information model description 860 10006 central control unit ac dc power supply 860 10026 central

central evaluation unit case study operation management - Nov 18 2021

[diploma sample exam papers international baccalaureate](#) - Aug 18 2023

web jul 4 2023 group 1 language a literature english a literature paper 1 and marking notes first assessment 2021 512kb english a paper 2 197kb group 2 language acquisition language b english b hl specimen paper 2 audio 84 3 mb english b sl specimen paper 2 audio 61 7 mb english b specimen papers and markschemes first assessment

ib chinese b sl reading past papers r ibo reddit - Apr 14 2023

web may 6 2023 ib chinese b sl reading past papers does anyone have any reading past papers for chinese bsl 4 2 comments best add a comment mysterious cap1186 m23 hl chem bio math aa sl psych mandarin ab english ll 5 mo ago ibhub io there re everything here 2

papers xtremepapers - Feb 12 2023

web download past papers marking schemes specimen papers examiner reports syllabus and other exam materials for caie edexcel ib ielts sat toefl and much more

international baccalaureate organization 202 archive org - Jul 17 2023

web may 11 2022 chinois b mandarin niveau supérieur Épreuve 2 compréhension orale chino b mandarín nivel superior prueba 2 comprensión auditiva instructions to candidates y the simplified version is followed by the traditional version y write your session number in the boxes above y do not open this examination paper until

chinese b ib past papers 2021 pdf get ib past papers - Sep 19 2023

web mar 26 2022 download chinese b ib past papers 2021 pdf and use it for your revision chinese b international baccalaureate past questions standard level and higher level

chinese past papers 10 pdf files past papers archive - May 15 2023

web ib mandarin ab initio past papers bing just pdf ib mandarin ab initio past papers pdf free pdf download now source 2 ib

mandarin ab initio past papers pdf free pdf download spanish 7 ib chinese b sl past paper pdf
[ib chinese paper b sl the predicating practice test v2021s1](#) - Jun 16 2023

web we offer ib chinese b revision course for higher level hl and standard level sl based on the past papers and mock this will make students familiar with the examination format in addition to examination skills tips and guide we will expand our explanation to enable students to gain more on vocabulary knowledge and culture

ib mandarin sl b past papers bing eagldemo2 eagltechnology - Nov 09 2022

web 4 ib mandarin sl b past papers bing2023 04 09 paper 2 sample ib mandarin sl internal assessment ib language written assessment ib mandarin ab initio sl ib solved grade 7 notes tutoring and assessments all view notes ib past papers chinese b sl pdf from phy 101 at king george v school ib past papers chinese b sl pdf free pdf

[ib mandarin sl b past papers bing pdf rchat technosolutions](#) - May 03 2022

web ib mandarin sl b past papers bing 1 ib mandarin sl b past papers bing right here we have countless books ib mandarin sl b past papers bing and collections to check out we additionally meet the expense of variant types and moreover type of the books to browse the suitable book fiction history novel

download file ib mandarin sl b past papers bing pdf free copy - Jan 11 2023

web download file ib mandarin sl b past papers bing pdf free copy papers xtremepapers may 15 2022 web download past papers marking schemes specimen papers examiner reports syllabus and other exam materials for caie edexcel ib ielts sat toefl and much more ib german sl b past papers copy las gnome oct 08 2021 web ib german sl b past

[ib mandarin sl b past papers bing download only](#) - Oct 08 2022

web ib mandarin sl b past papers bing 1 ib mandarin sl b past papers bing getting the books ib mandarin sl b past papers bing now is not type of inspiring means you could not on your own going past books hoard or library or borrowing from your links to entre them this is an definitely easy means to specifically acquire guide by on line

[ib mandarin b hl past papers kyushu geibun jp](#) - Mar 01 2022

web ib mandarin b hl past papers ib mandarin b hl past papers 38b 193 bb 38 b6 6df where can i find chinese b hl past paper paper 1 and 2 especially paper 2 from 2016 or 2017 may in paper 1 you have to read 4 texts and answer the questions matching multiple choice gap filling etc in english

[ib past papers may 2022 international baccleaurate](#) - Mar 13 2023

web this is a full set of the past papers used in the international baccleaurate s may 2022 examination session for past papers before may 2022 as well as

ib mandarin sl b past papers bing - Dec 10 2022

web right here we have countless book ib mandarin sl b past papers bing and collections to check out we additionally offer

variant types and after that type of the books to browse the satisfactory book fiction history novel scientific research as capably as various further sorts of books are readily open here as this ib mandarin sl b

ib mandarin sl b past papers bing uniport edu - Jul 05 2022

web jul 21 2023 you to look guide ib mandarin sl b past papers bing as you such as by searching the title publisher or authors of guide you in point of fact want you can discover them rapidly

ib mandarin sl b past papers bing uniport edu - Jan 31 2022

web apr 22 2023 ib mandarin sl b past papers bing is universally compatible considering any devices to read guide for the care and use of laboratory animals national research council

ib mandarin sl a past papers full pdf ams istanbul edu - Aug 06 2022

web ib mandarin sl a past papers cambridge igcse chinese 0547 12 2017 listening paper 1 听 力 考 试 范 文 集 2017 年 6 月 版 ib chinese a sl vocabulary 2022 edition 词汇 表 2022 年 6 月 版 edeo legoo mandarin publications lists 2021 june issue 2021 年 6 月 版 ib chinese b sl 2500 classified vocabulary v2021

[ib mandarin sl b past papers bing app webshots com](#) - Apr 02 2022

web dec 24 2022 access free ib mandarin sl b past papers bing 44 in the ib 5 tips free notes which ib math course should i take aa or ai hl or sl ib explained everything you need to know about ib how i got 45 in the ib ii 4 tips for ib students chinese november 2018 b sl paper 2 paper 1 old course walkthrough ib

ib mandarin sl b past papers bing - Sep 07 2022

web ib mandarin sl b past chinese b hl past paper group 2 past papers ibo ib mandarin sl b past papers bing downloaded from aveannamedical solutions buyerads com by guest cynthia gabrielle ib mandarin b sl interactive oral activity ib mandarin sl b past this 2 year long course is designed to

ib mandarin sl b past papers bing pdf pdf vodica ras gov rs - Jun 04 2022

web sep 20 2023 ib mandarin sl b past papers bing pdf pdf right here we have countless ebook ib mandarin sl b past papers bing pdf pdf and collections to check out we additionally allow variant types and next type of the books to browse the satisfactory book fiction history novel scientific research as capably as various new sorts of books are

10 lines short stories with moral in english edueuphoria - Jun 02 2022

web check 10 lines short stories with moral in english for class 1 2 3 4 5 6 7 8 9 10 10 line stories with morals can be a great way to teach children important life lessons in a fun and engaging way these stories are usually short easy to read and contain a clear message or moral at the end

75 short short stories - Sep 05 2022

web short stories to enjoy when you have 5 minutes to spare sorted by category so you can find what suits your mood stories

average 1 000 words including morality tales feel good love stories other worldly stories witty stories

5 line story in english 5 line story with moral youtube - Mar 31 2022

web mar 14 2022 hi friends welcome to our channel [□□□□□□□□ □□□□□□□□](#) in this video you will learn how to write a short english moral story [upscalelearning 5linestory](#)

5 lines the thirsty crow story 5 lines story in english youtube - Dec 28 2021

web [kidslearningdaily thirstycrow storyinenglish shortstoriesforkids 5linestory 5linethirstycrowstory](#)
[short stories learnenglish kids](#) - Mar 11 2023

web do you like listening to and reading stories reading stories is a great way to improve your vocabulary and we have lots of great stories for you to watch watch stories print activities and post comments

best 5 lines short stories with moral pdf a journey of lessons - Feb 10 2023

web aug 30 2023 1 5 lines short stories with moral once upon a time a farmer who had a golden goose lived in a small village the goose laid a golden egg daily bringing wealth to the farmer greedy for more gold the farmer cut open the goose to get all the eggs to his dismay he found nothing and lost his golden opportunity

[100 great short stories](#) - Jan 29 2022

web 100 great short stories okay i lied there are so many great short stories that i was unable to trim the list to 100 titles so here are 160 great short stories for you to enjoy click a button to find the best short stories from the authors below

best 5 lines short stories with moral in 2023 - Nov 07 2022

web jul 7 2023 the queen s compassion 5 lines short stories with moral in english the power of gratitude top 10 short moral stories in english the fisherman and fish 5 lines short stories with moral with pictures the king s generosity 5 lines short stories with moral for class 1 the shepherd s sacrifice 5 lines short stories with moral pdf

story zone learnenglish - Aug 16 2023

web in this section read our short stories that were specially written for english language learners there are two sections one for lower level learners a2 b1 and one for higher levels b2 c1 you will improve your reading fluency

5 lines short stories with moral in english vedantu - Apr 12 2023

web sep 11 2023 thus vedantu brings to you a few of such 5 short lines stories along with morals in english that are available on the site vedantu anyone can download the pdf for free to ensure a good read these are short stories in english with morals that can give you great insight and inspiration

43 of the most iconic short stories in the english language - May 01 2022

web aug 19 2020 poe s early stream of consciousness horror story unreliable narrator and heart beating under the floorboards and all is certainly one of the most adapted and even more often referenced short stories in popular culture and

which may or may not be the source for all of the hundreds of stories in which a character is tormented by a sound

5 lines short stories with moral short story lines - Jul 15 2023

web aug 5 2023 august 5 2023 by shikha thakur very short stories with morals in english are the best ways to teach moral education for kids and adults you can teach short stories with moral values in a very short time in this story page very short stories in english with moral are given with pictures and pdfs to download

5 lines short stories with moral in english syllabusfy - Dec 08 2022

web may 23 2022 5 lines short stories with moral in english 1 old parents 2 the two friends 3 a woman without her husband 4

5 10 lines short stories with moral for kids 2 min read - Jun 14 2023

web read amazing short stories in english with moral in just 5 to 10 lines you can read these as bedtime stories to your children in just 2 mins visit now

short stories reading englishclub - Jul 03 2022

web englishclub learn english reading stories short stories these short stories in english include vocabulary help and some have vocabulary and comprehension quizzes the winepress upper intermediate 1500 words british english this short story is set in madagascar and france it tells about wine and love and hate

5 lines short stories with moral pdf coder drive - Jan 09 2023

web feb 23 2023 5 lines short stories with moral in english for competition here are five short stories with moral values in english that you can use for a competition the ant and the grasshopper the ant spends the summer collecting food while the grasshopper plays when winter arrives the ant has enough food to survive but the grasshopper doesn't

25 best 10 lines short stories with moral in english - Feb 27 2022

web jul 4 2023 the talking trees 10 lines short stories in english in an old forest all the trees talked to each other in a language only they understood one day a young tree beautiful and tall began to speak boastfully about its beauty and importance old and wise trees that have reached old age remained silent he knew that true strength came not

best 5 lines short stories with moral in 2023 medium - Aug 04 2022

web jul 7 2023 aditisingh follow 4 min read jul 7 n this post we are providing you a list of best 5 lines short stories with moral for kids these stories will not only entertain you but also

34 english short stories with big ideas for thoughtful fluentu - May 13 2023

web jul 25 2023 a good english short story is often enough stories are all about going beyond reality and these classics will not only improve your english reading but also open your mind to different worlds contents 1 the tortoise and the hare by aesop 2 the ant and the grasshopper by aesop 3 white wing the tale of the doves and the hunter 4

stories in english short story lines - Oct 06 2022

web sep 5 2023 these are the best stories in english we have a collection of stories for kids story online moral stories horror stories inspirational stories short stories funny stories kids bedtime stories children s stories moral stories for adults with pictures and pdf krishna janmashtami story in english with pictures short story

Deutz Bf4m 2012 Manual Book Review: Unveiling the Power of Words

In a world driven by information and connectivity, the energy of words has been evident than ever. They have the capacity to inspire, provoke, and ignite change. Such could be the essence of the book **Deutz Bf4m 2012 Manual**, a literary masterpiece that delves deep into the significance of words and their affect our lives. Published by a renowned author, this captivating work takes readers on a transformative journey, unraveling the secrets and potential behind every word. In this review, we will explore the book is key themes, examine its writing style, and analyze its overall impact on readers.

https://offsite.creighton.edu/files/virtual-library/Documents/new_american_haggadah.pdf

https://offsite.creighton.edu/files/virtual-library/Documents/national_standards_for_personal_financial_education.pdf

https://offsite.creighton.edu/files/virtual-library/Documents/natural_ways_to_heal_receding_gums.pdf

Table of Contents Deutz Bf4m 2012 Manual

1. Understanding the eBook Deutz Bf4m 2012 Manual
 - The Rise of Digital Reading Deutz Bf4m 2012 Manual
 - Advantages of eBooks Over Traditional Books
2. Identifying Deutz Bf4m 2012 Manual
 - Exploring Different Genres
 - Considering Fiction vs. Non-Fiction
 - Determining Your Reading Goals
3. Choosing the Right eBook Platform
 - Popular eBook Platforms
 - Features to Look for in an Deutz Bf4m 2012 Manual

- User-Friendly Interface
- 4. Exploring eBook Recommendations from Deutz Bf4m 2012 Manual
 - Personalized Recommendations
 - Deutz Bf4m 2012 Manual User Reviews and Ratings
 - Deutz Bf4m 2012 Manual and Bestseller Lists
- 5. Accessing Deutz Bf4m 2012 Manual Free and Paid eBooks
 - Deutz Bf4m 2012 Manual Public Domain eBooks
 - Deutz Bf4m 2012 Manual eBook Subscription Services
 - Deutz Bf4m 2012 Manual Budget-Friendly Options
- 6. Navigating Deutz Bf4m 2012 Manual eBook Formats
 - ePub, PDF, MOBI, and More
 - Deutz Bf4m 2012 Manual Compatibility with Devices
 - Deutz Bf4m 2012 Manual Enhanced eBook Features
- 7. Enhancing Your Reading Experience
 - Adjustable Fonts and Text Sizes of Deutz Bf4m 2012 Manual
 - Highlighting and Note-Taking Deutz Bf4m 2012 Manual
 - Interactive Elements Deutz Bf4m 2012 Manual
- 8. Staying Engaged with Deutz Bf4m 2012 Manual
 - Joining Online Reading Communities
 - Participating in Virtual Book Clubs
 - Following Authors and Publishers Deutz Bf4m 2012 Manual
- 9. Balancing eBooks and Physical Books Deutz Bf4m 2012 Manual
 - Benefits of a Digital Library
 - Creating a Diverse Reading Collection Deutz Bf4m 2012 Manual
- 10. Overcoming Reading Challenges
 - Dealing with Digital Eye Strain
 - Minimizing Distractions
 - Managing Screen Time
- 11. Cultivating a Reading Routine Deutz Bf4m 2012 Manual
 - Setting Reading Goals Deutz Bf4m 2012 Manual

- Carving Out Dedicated Reading Time
- 12. Sourcing Reliable Information of Deutz Bf4m 2012 Manual
 - Fact-Checking eBook Content of Deutz Bf4m 2012 Manual
 - Distinguishing Credible Sources
- 13. Promoting Lifelong Learning
 - Utilizing eBooks for Skill Development
 - Exploring Educational eBooks
- 14. Embracing eBook Trends
 - Integration of Multimedia Elements
 - Interactive and Gamified eBooks

Deutz Bf4m 2012 Manual Introduction

Free PDF Books and Manuals for Download: Unlocking Knowledge at Your Fingertips In today's fast-paced digital age, obtaining valuable knowledge has become easier than ever. Thanks to the internet, a vast array of books and manuals are now available for free download in PDF format. Whether you are a student, professional, or simply an avid reader, this treasure trove of downloadable resources offers a wealth of information, conveniently accessible anytime, anywhere. The advent of online libraries and platforms dedicated to sharing knowledge has revolutionized the way we consume information. No longer confined to physical libraries or bookstores, readers can now access an extensive collection of digital books and manuals with just a few clicks. These resources, available in PDF, Microsoft Word, and PowerPoint formats, cater to a wide range of interests, including literature, technology, science, history, and much more. One notable platform where you can explore and download free Deutz Bf4m 2012 Manual PDF books and manuals is the internet's largest free library. Hosted online, this catalog compiles a vast assortment of documents, making it a veritable goldmine of knowledge. With its easy-to-use website interface and customizable PDF generator, this platform offers a user-friendly experience, allowing individuals to effortlessly navigate and access the information they seek. The availability of free PDF books and manuals on this platform demonstrates its commitment to democratizing education and empowering individuals with the tools needed to succeed in their chosen fields. It allows anyone, regardless of their background or financial limitations, to expand their horizons and gain insights from experts in various disciplines. One of the most significant advantages of downloading PDF books and manuals lies in their portability. Unlike physical copies, digital books can be stored and carried on a single device, such as a tablet or smartphone, saving valuable space and weight. This convenience makes it possible for readers to have their entire library at their fingertips, whether they are commuting, traveling, or simply enjoying a lazy afternoon at home. Additionally,

digital files are easily searchable, enabling readers to locate specific information within seconds. With a few keystrokes, users can search for keywords, topics, or phrases, making research and finding relevant information a breeze. This efficiency saves time and effort, streamlining the learning process and allowing individuals to focus on extracting the information they need. Furthermore, the availability of free PDF books and manuals fosters a culture of continuous learning. By removing financial barriers, more people can access educational resources and pursue lifelong learning, contributing to personal growth and professional development. This democratization of knowledge promotes intellectual curiosity and empowers individuals to become lifelong learners, promoting progress and innovation in various fields. It is worth noting that while accessing free Deutz Bf4m 2012 Manual PDF books and manuals is convenient and cost-effective, it is vital to respect copyright laws and intellectual property rights. Platforms offering free downloads often operate within legal boundaries, ensuring that the materials they provide are either in the public domain or authorized for distribution. By adhering to copyright laws, users can enjoy the benefits of free access to knowledge while supporting the authors and publishers who make these resources available. In conclusion, the availability of Deutz Bf4m 2012 Manual free PDF books and manuals for download has revolutionized the way we access and consume knowledge. With just a few clicks, individuals can explore a vast collection of resources across different disciplines, all free of charge. This accessibility empowers individuals to become lifelong learners, contributing to personal growth, professional development, and the advancement of society as a whole. So why not unlock a world of knowledge today? Start exploring the vast sea of free PDF books and manuals waiting to be discovered right at your fingertips.

FAQs About Deutz Bf4m 2012 Manual Books

1. Where can I buy Deutz Bf4m 2012 Manual books? Bookstores: Physical bookstores like Barnes & Noble, Waterstones, and independent local stores. Online Retailers: Amazon, Book Depository, and various online bookstores offer a wide range of books in physical and digital formats.
2. What are the different book formats available? Hardcover: Sturdy and durable, usually more expensive. Paperback: Cheaper, lighter, and more portable than hardcovers. E-books: Digital books available for e-readers like Kindle or software like Apple Books, Kindle, and Google Play Books.
3. How do I choose a Deutz Bf4m 2012 Manual book to read? Genres: Consider the genre you enjoy (fiction, non-fiction, mystery, sci-fi, etc.). Recommendations: Ask friends, join book clubs, or explore online reviews and recommendations. Author: If you like a particular author, you might enjoy more of their work.

4. How do I take care of Deutz Bf4m 2012 Manual books? Storage: Keep them away from direct sunlight and in a dry environment. Handling: Avoid folding pages, use bookmarks, and handle them with clean hands. Cleaning: Gently dust the covers and pages occasionally.
5. Can I borrow books without buying them? Public Libraries: Local libraries offer a wide range of books for borrowing. Book Swaps: Community book exchanges or online platforms where people exchange books.
6. How can I track my reading progress or manage my book collection? Book Tracking Apps: Goodreads, LibraryThing, and Book Catalogue are popular apps for tracking your reading progress and managing book collections. Spreadsheets: You can create your own spreadsheet to track books read, ratings, and other details.
7. What are Deutz Bf4m 2012 Manual audiobooks, and where can I find them? Audiobooks: Audio recordings of books, perfect for listening while commuting or multitasking. Platforms: Audible, LibriVox, and Google Play Books offer a wide selection of audiobooks.
8. How do I support authors or the book industry? Buy Books: Purchase books from authors or independent bookstores. Reviews: Leave reviews on platforms like Goodreads or Amazon. Promotion: Share your favorite books on social media or recommend them to friends.
9. Are there book clubs or reading communities I can join? Local Clubs: Check for local book clubs in libraries or community centers. Online Communities: Platforms like Goodreads have virtual book clubs and discussion groups.
10. Can I read Deutz Bf4m 2012 Manual books for free? Public Domain Books: Many classic books are available for free as they're in the public domain. Free E-books: Some websites offer free e-books legally, like Project Gutenberg or Open Library.

Find Deutz Bf4m 2012 Manual :

new american haggadah

national standards for personal financial education

natural ways to heal receding gums

new holland hay rake

navy seal management book

national geographic plane

national highway safety administration texas

needle tatting how to

nfpa 25 free access

nanda risk for infection

~~nicki wanted to evaluate customer satisfaction~~

new age witchcraft meaning

new garfield show

natural selection quiz answer key

new york 5 boroughs map

Deutz Bf4m 2012 Manual :