



Dishwashers

Safety Instructions 2-3

Operating Instructions

Care and Cleaning 11

Getting Started 4-5

Loading and Place Settings 8-9

Loading the silverware baskets 10

Using the Dishwasher 6-7

Troubleshooting Tips 12-14

Consumer Support

Consumer Support 16

Warranty 15

Owner's Manual

Dishwashers
ADT520 Series
GDF510-540 Series
GDT530-550 Series

Lave-vaisselle

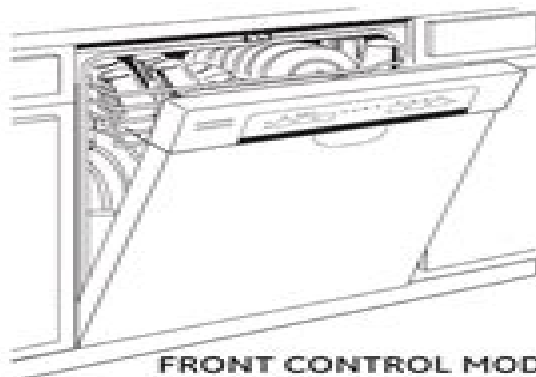
Manuel d'utilisation

La section française commence à la page 17

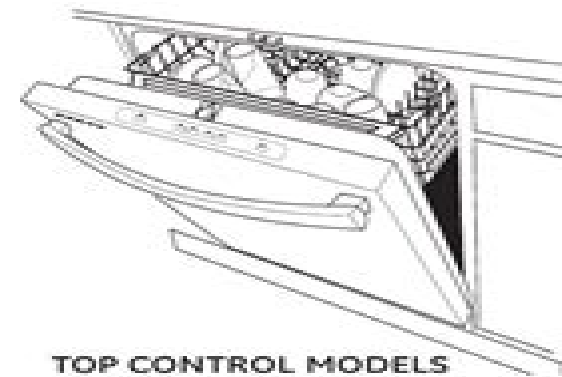
Lavaplatos

Manual del propietario

La sección en español empieza en la página 33



FRONT CONTROL MODELS



TOP CONTROL MODELS

Write the model and serial numbers here:

Model # _____

Serial # _____

You can find them on the tub wall just inside the door.

Ge Appliance Instruction Manuals

Melissa Maker



Ge Appliance Instruction Manuals

“All-Electric” Narratives Rachele Dini, 2021-10-07 Winner of the 2023 Emily Toth Award for Best Single Work in Women’s Studies All Electric Narratives is the first in depth study of time saving electrical appliances in American literature It examines the literary depiction of refrigerators vacuum cleaners oven ranges washing machines dryers dishwashers toasters blenders standing and hand held mixers and microwave ovens between 1945 when the all electric home came to be associated with the nation’s hard won victory and 2020 as contemporary writers consider the enduring material and spiritual effects of these objects in the 21st century The appropriation and subversion of the rhetoric of domestic electrification and time saving comprises a crucial but overlooked element in 20th century literary forms and genres including Beat literature Black American literature second wave feminist fiction science fiction and postmodernist fiction Through close readings of dozens of literary texts alongside print and television ads from this period Dini shows how U S writers have unearthed the paradoxes inherent to claims of appliances capacity to give back time to their user transport them into a technologically progressive future or return them to some pastoral past In so doing she reveals literary appliances role in raising questions about gender norms and sexuality racial exclusion and erasure class anxieties the ramifications of mechanization the perils and possibilities of conformity the limitations of patriotism and the inevitable fallacy of utopian thinking while both shaping and radically disrupting the literary forms in which they operated

Popular Mechanics, 1993-01 Popular Mechanics inspires instructs and influences readers to help them master the modern world Whether it’s practical DIY home improvement tips gadgets and digital technology information on the newest cars or the latest breakthroughs in science PM is the ultimate guide to our high tech lifestyle

Philip and Alex's Guide to Web Publishing Philip Greenspun, 1999 Web guru Philip Greenspun offers a comprehensive look at Web publishing with techniques and examples gleaned from his experiences in developing over 70 Web services He has added fresh ideas and insights to this thoroughly revised guide including new chapters on electronic commerce and static site development more material on building systems to foster community and collaboration and new examples and case studies Cover Title

Clean My Space Melissa Maker, 2017-03-07 The wildly popular YouTube star behind Clean My Space presents the breakthrough solution to cleaning better with less effort Melissa Maker is beloved by fans all over the world for her completely re engineered approach to cleaning As the dynamic new authority on home and living Melissa knows that to invest any of our precious time in cleaning we need to see big long lasting results So she developed her method to help us get the most out of our effort and keep our homes fresh and welcoming every day In her long awaited debut book she shares her revolutionary 3 step solution Identify the most important areas MIAs in your home that need attention Select the proper products tools and techniques PTT for the job Implement these new cleaning routines so that they stick Clean My Space takes the chore out of cleaning with Melissa’s incredible tips and cleaning hacks

the power of pretreating her lightning fast 5 10 minute express clean routines for every room when time is tightest and her techniques for cleaning even the most daunting places and spaces And a big bonus Melissa gives guidance on the best non toxic eco conscious cleaning products and offers natural cleaning solution recipes you can make at home using essential oils to soothe and refresh With Melissa s simple groundbreaking method you can truly live in a cleaner more cheerful and calming home all the time *Popular Mechanics* ,1982-01 Popular Mechanics inspires instructs and influences readers to help them master the modern world Whether it s practical DIY home improvement tips gadgets and digital technology information on the newest cars or the latest breakthroughs in science PM is the ultimate guide to our high tech lifestyle

Technical Writing Basics Brian R. Holloway,2002 For one semester freshman sophomore level courses in Technical Writing and an excellent reference for any course that requires technical writing Using a reader friendly approach that is incremental and cumulative this short uncluttered guide to technical writing shows students how to take the structures patterns and strategies of writing learned in a Basic Composition course summary process analysis and persuasion and apply them in different kinds of technical documents Direct practical explanations copious real world examples and a variety of role playing exercises lead students through the process of document production and assessment or what the author calls transactional writing getting another person to read one s material presenting such material clearly and accurately and adhering to standards of format acceptable in the field Unlike most other texts which focus on the writing needs in the executive domain of the major corporation only this guide covers a variety of non corporate working environments that also require skill in technical communications e g social service agencies institutions and small businesses **Popular Mechanics** ,1988-06 Popular Mechanics inspires instructs and influences readers to help them master the modern world Whether it s practical DIY home improvement tips gadgets and digital technology information on the newest cars or the latest breakthroughs in science PM is the ultimate guide to our high tech lifestyle *Popular Mechanics* ,1982-03 Popular Mechanics inspires instructs and influences readers to help them master the modern world Whether it s practical DIY home improvement tips gadgets and digital technology information on the newest cars or the latest breakthroughs in science PM is the ultimate guide to our high tech lifestyle **Popular Mechanics** ,1967-08 Popular Mechanics inspires instructs and influences readers to help them master the modern world Whether it s practical DIY home improvement tips gadgets and digital technology information on the newest cars or the latest breakthroughs in science PM is the ultimate guide to our high tech lifestyle *Popular Science* ,1967-09 Popular Science gives our readers the information and tools to improve their technology and their world The core belief that Popular Science and our readers share The future is going to be better and science and technology are the driving forces that will help make it better Popular Science ,1966-03 Popular Science gives our readers the information and tools to improve their technology and their world The core belief that Popular Science and our readers share The future is going to be better and science and technology are the driving forces that will help make

it better **Catalog of Copyright Entries. Third Series** Library of Congress. Copyright Office,1949 Includes Part 1A Books and Part 1B Pamphlets Serials and Contributions to Periodicals **Popular Mechanics** ,1968-01 Popular Mechanics inspires instructs and influences readers to help them master the modern world Whether it s practical DIY home improvement tips gadgets and digital technology information on the newest cars or the latest breakthroughs in science PM is the ultimate guide to our high tech lifestyle *Popular Science* ,1968-01 Popular Science gives our readers the information and tools to improve their technology and their world The core belief that Popular Science and our readers share The future is going to be better and science and technology are the driving forces that will help make it better Business Barry L. Reece,James P. O'Grady,1987 Home Laundering Elizabeth A. Rivers,1957 **Popular Mechanics** ,1986-01 Popular Mechanics inspires instructs and influences readers to help them master the modern world Whether it s practical DIY home improvement tips gadgets and digital technology information on the newest cars or the latest breakthroughs in science PM is the ultimate guide to our high tech lifestyle *Mechanix Illustrated* ,1983 Popular Mechanics ,1983-10 Popular Mechanics inspires instructs and influences readers to help them master the modern world Whether it s practical DIY home improvement tips gadgets and digital technology information on the newest cars or the latest breakthroughs in science PM is the ultimate guide to our high tech lifestyle **Popular Mechanics** ,1972-02 Popular Mechanics inspires instructs and influences readers to help them master the modern world Whether it s practical DIY home improvement tips gadgets and digital technology information on the newest cars or the latest breakthroughs in science PM is the ultimate guide to our high tech lifestyle

laravel up running 2e a framework for building modern php - Dec 12 2022

apr 26 2019 buy laravel up running 2e a framework for building modern php apps 2nd ed by stauffer matt isbn 9781492041214 from amazon s book store everyday low prices and free delivery on eligible orders

laravel up running a framework for building modern php - Nov 11 2022

what sets laravel apart from other php web frameworks speed and simplicity for starters laravel up running a framework for building modern php apps by matt stauffer goodreads

laravel up running 3rd edition book o reilly media - Apr 16 2023

this rapid application development framework and its ecosystem of tools let you quickly build new sites and applications with clean readable code fully updated to include laravel 10 the third edition of this practical guide provides the definitive introduction to one of today s most popular web frameworks

update upgrade laravel then framework guide laracasts - Mar 03 2022

there you are updating upgrading something in laravel not the framework the way you answered newcomers will think all

they have to do is run composer update which is not the case this guide this meant for upgrading to a new version not inside an existing version just upgrade the framework as per the upgrade guide that is not correct

laravel up running a framework for building modern php - Apr 04 2022

speed and simplicity for starters this rapid application development framework and its ecosystem of tools let you quickly build new sites and applications with clean readable code fully updated to include laravel 10 the third edition of this practical guide provides the definitive introduction to one of today s most popular web

laravel up running a framework for building modern php - Sep 21 2023

apr 1 2019 speed and simplicity for starters this rapid application development framework and its ecosystem of tools let you quickly build new sites and applications with clean readable code fully

installation laravel 10 x the php framework for web artisans - Mar 15 2023

there are a variety of tools and frameworks available to you when building a web application however we believe laravel is the best choice for building modern full stack web applications a progressive framework we like to call laravel a progressive framework by that we mean that laravel grows with you

laravel up running a framework for building modern php - Jul 19 2023

laravel up running a framework for building modern php apps stauffer matt amazon com tr kitap

laravel up running a framework for building modern php apps - Aug 08 2022

oct 17 2023 this rapid application development framework and its ecosystem of tools let you quickly build new sites and applications with clean readable code fully updated to include laravel 10 the third edition of this practical guide provides the definitive introduction to one of today s most popular web frameworks

laravel up and running a framework for building modern php - Feb 14 2023

nov 21 2016 what sets laravel apart from other php web frameworks speed and simplicity for starters this rapid application development framework and its vast ecosystem of tools let you quickly build

laravel up running a framework for building modern php apps - Sep 09 2022

apr 1 2019 laravel up running a framework for building modern php apps 2nd edition kindle edition by matt stauffer author format kindle edition 4 5 151 ratings see all formats and editions kindle edition 27 66 read with our free app paperback 29 00 4 used from 27 79 13 new from 29 00 what sets laravel apart from other php web frameworks

pdf laravel a framework for building php apps researchgate - Jun 06 2022

dec 18 2020 laravel up running a framework for building modern php united states of america o reilly media 7 sunardi a 2019 mvc architecture a com parative study between laravel

laravel up running an o reilly book by matt stauffer - May 17 2023

why laravel why consider a framework at all why php why laravel we ll cover the history of php frameworks and laravel s history and vision setting up a laravel development environment any modern php development environment will be good for developing laravel but if you re new to modern php we ll get you ready in no time

laravel up and running a framework for building modern php - May 05 2022

select search scope currently catalog all catalog articles website more in one search catalog books media more in the stanford libraries collections articles journal articles other e resources

laravel up running a framework for building modern php - Jun 18 2023

speed and simplicity for starters this rapid application development framework and its ecosystem of tools let you quickly build new sites and applications with clean readable code fully

laravel up running a framework for building moder - Feb 02 2022

they are relevant to modern php and laravel development written by a working developer who uses these patterns every day you will easily be able to implement each pattern into your

laravel up running a framework for building modern php - Jan 13 2023

speed and simplicity for starters this rapid application development framework and its ecosystem of tools let you quickly build new sites and applications with clean readable code fully updated to cover laravel 5 8 the second edition of this practical guide provides the definitive introduction to one of today s mostpopular web frameworks

laravel up running a framework for building modern php - Jul 07 2022

sep 21 2023 laravel up running a framework for building modern php apps 3rd edition scanlibs laravel up running a framework for building modern php apps 3rd edition september 21 2023 books english 2023 isbn 978 1098153267 559 pages epub 10 mb what sets laravel apart from other php web frameworks speed and simplicity for

laravel up and running a framework for building modern php - Oct 10 2022

dec 27 2016 matt stauffer laravel up and running a framework for building modern php apps 1st edition by matt stauffer author 4 5 118 ratings see all formats and editions there is a newer edition of this item laravel up running a framework for building modern php apps 59 99 this title has not yet been released

laravel up running a framework for building modern php apps - Aug 20 2023

apr 20 2019 laravel up running a framework for building modern php apps stauffer matt on amazon com free shipping on qualifying offers

massaggio ayurvedico cos è e quali sono i benefici fem - Apr 11 2023

web jul 29 2020 massaggio mukhabhyanga si tratta di un particolare massaggio ayurvedico del viso utile per eliminare lo stress e per stimolare l ossigenazione della pelle con azione anti age

trattamenti janani la casa dell ayurveda - Dec 27 2021

web massaggio ayurvedico il massaggio ayurvedico è un trattamento di origini antichissime che cerca di ristabilire l equilibrio mente corpo eliminando le tossine e nutrendo i tessuti scopri tutti i benefici e le nostre proposte di massaggio ayurvedico

massaggio ayurvedico scopri tutti i suoi benefici salutarmente - Jul 02 2022

web oct 3 2016 il massaggio ayurvedico o ayurveda è una tecnica di massaggio diventata molto popolare anche in occidente soprattutto in questi ultimi anni caratterizzati da un recupero e spesso purtroppo da un accettazione acritica di quelle che sono le tradizioni pre scientifiche dei popoli orientali e non solo

massaggio ayurvedico cos è a cosa serve benefici e - Aug 03 2022

web il massaggio ayurvedico parziale al dorso è denominato tandabhyanga è utile per sciogliere le tensioni muscolari ed eventuali contratture allevia la stanchezza e grazie al movimento e al calore delle mani che praticano il massaggio su schiena e spalle ha un effetto estremamente rilassante e benefico per l armonia di mente e corpo gambe

massaggio ayurvedico cos è come si pratica benefici e costi - Aug 15 2023

web feb 25 2020 il massaggio ayurvedico è una particolare tipologia di massaggio che prevede l esecuzione di diverse tecniche di manipolazione variabili in funzione dell obiettivo che si desidera raggiungere da parte di massaggiatori ayurvedici specializzati

massaggio ayurvedico 5 spa da provare elle - Apr 30 2022

web may 5 2017 che cos è il massaggio ayurvedico il massaggio ayurveda è uno dei massaggi più antichi e comprende tutte le manualità di tutti i massaggi attualmente praticati

massaggio ayurveda massaggi professionali - Jan 28 2022

web le antiche tecniche di massaggio ayurvedico il massaggio ayurvedico nasce in india circa 5000 anni fa come tecnica olistica per ristabilire un equilibrio tra mente e corpo stimolando soprattutto i centri energetici dell organismo i cosiddetti chakra la medicina ayurvedica prevedeva infatti una tecnica di manipolazione come tramite per

ayurveda italia il portale italiano di ayurveda ed estetica - Mar 30 2022

web ayurveda trattamenti alla testa e al viso in questo nuovo approfondimento vi presentiamo tre trattamenti ayurvedici shiroabhyanga mukhabhyanga e pichu shiroabhyanga è un massaggio alla testa mukhabhyanga un massaggio al viso e pichu un oleazione della fronte e della testa

trattamenti ayurvedici cosa sono e a cosa servono tuttogreen - Oct 05 2022

web jan 16 2022 i principali trattamenti ayurvedici entriamo ora nel cuore dell argomento e andiamo a conoscere più da vicino quali sono i principali trattamenti ayurvedici e a cosa servono abhyanga considerato il re dei massaggi ayurveda è un

massaggio completo che coinvolge l'intero corpo dalla testa ai piedi

massaggio ayurvedico cos è e benefici diabasi - Nov 06 2022

web jul 8 2020 le manualità e i benefici dell'ayurveda il massaggio ayurvedico è un massaggio davvero dolce che aiuta a favorire la circolazione di sangue e fluidi vitali essenziale per mantenere il corpo e la mente in salute

i benefici dei massaggi ayurvedici macrolibrarsi - Sep 04 2022

web il massaggio ayurvedico è un trattamento indiano rilassante e molto dolce per il corpo efficace per la cura per la bellezza e riequilibrante a livello emotivo e spirituale il massaggio ayurvedico è una pratica che entra nel raggio di azione della medicina ayurvedica e di tutte le sue innumerevoli potenzialità

massaggio ayurveda cos è dove farlo e quali sono i benefici - Mar 10 2023

web courtesy per le mamme indiane il massaggio è un rituale che accompagna le persone fin dalla nascita la prima cosa che viene fatta ad un neonato infatti è un massaggio accompagnato dal

il massaggio ayurveda cos è e perché piace aim - Jan 08 2023

web feb 22 2016 le antiche tecniche di massaggio ayurvedico il massaggio ayurvedico nasce in india circa 5000 anni fa come tecnica olistica per ristabilire un equilibrio tra mente e corpo stimolando soprattutto i centri energetici dell'organismo i cosiddetti chakra

il massaggio ayurvedico i benefici di un massaggio antico - Jun 01 2022

web may 1 2022 benefici psicofisici del massaggio ayurvedico i benefici del massaggio ayurvedico sono invece moltissimi sia sul piano psicologico che fisico e vanno dal più puro relax al trattamento di problematiche specifiche oltre alla loro prevenzione vediamo insieme i principali vantaggi rimuove le tossine grazie al massaggio pindasweda

massaggio ayurvedico origini tecniche e benefici yogayur - May 12 2023

web massaggi e trattamenti ayurvedici il massaggio ayurvedico una disciplina le cui origini si rintracciano nell'india del 3000 a c questo trattamento si avvale di tecniche operative basate sulla visione olistica del benessere e si pone come obiettivo il ripristino del pieno equilibrio mente corpo raggiungibile mediante l'opportuna

massaggio ayurvedico benefici e controindicazioni cure naturali it - Feb 09 2023

web il massaggio ayurvedico yoga il massaggio ayurvedico per i capelli riattivare l'energia con udvartana il massaggio con le polveri viaggio tra i trattamenti ayurvedici il massaggio ayurvedico garshan una sferzata di energia il massaggio ayurvedico per l'uomo il massaggio ayurvedico per le donne quali oli usare per il massaggio

massaggio ayurvedico che cos è tecnica benefici quanto costa - Jun 13 2023

web jun 1 2023 il massaggio ayurvedico prevede diverse tecniche di manipolazione con l'obiettivo di ristabilire l'equilibrio psicofisico e garantire il benessere di mente e corpo nato in india più di 5000 anni fa è uno degli strumenti dell'ayurveda

letteralmente scienza della longevità la medicina tradizionale indiana

il massaggio ayurvedico di erica fiore trattamenti ayurvedici - Dec 07 2022

web jan 14 2013 i benefici del massaggio ayurvedico i testi classici parlano dei 12 benefici del massaggio ayurvedico jarahar allontana la vecchiaia shramahar elimina la stanchezza e il senso di fatica vatahar elimina vata in eccesso darshanakar migliora la vista pushtikar aumenta la resistenza fisica ayushkar dà lunga vita

massaggio ayurvedico la tradizione del kerala conscious - Feb 26 2022

web tra i trattamenti ayurvedici più famosi c'è il massaggio ayurvedico eseguiti con particolari tecniche di massaggio che prevedono non solo la digitazione e la sollecitazione manuale del corpo ma anche l'utilizzo di impacchi oli e pietre per favorire al meglio il benessere di mente e corpo

massaggio ayurvedico cos'è quali benefici apporta e quanto costa - Jul 14 2023

web jan 5 2022 a cosa fa bene il massaggio ayurvedico il massaggio ayurvedico è un trattamento di massaggio mediamente dolce che favorisce la circolazione sanguigna e linfatica svolge un'azione benefica sulla colonna vertebrale tonifica i muscoli ed influenza in maniera positiva lo stato psichico delle persone

rally coach activity comprehension shaul io - Oct 06 2022

web rally coach activity comprehension getting the books rally coach activity comprehension now is not type of inspiring means you could not unaccompanied going in the same way as book stock or library or borrowing from your links to entre them this is an very simple means to specifically get guide by on line this online proclamation rally

rally coach activity comprehension speakings gestamp - Mar 31 2022

web may 24 2023 rally coach activity comprehension zhivago settin a fine place a man that is not passio adams county free press four seek district 3 seat by mark saylor free press four candidates will compete for the adams county board of supervisors district 3 seat in june 5 primary election sports clinics holton holton arms school holton arms

rallycoachactivitycomprehension class neetprep - Aug 04 2022

web rallycoachactivitycomprehension 1 rallycoachactivitycomprehension rallycoachactivitycomprehension downloaded from class neetprep com by guest tyrese quincy

rally coach youtube - Jan 09 2023

web jan 13 2017 suad alshomrani 228 subscribers 32k views 6 years ago description rally coach is part of cooperative learning one student in each pair writes the solution to the first question while the

rally coach activity comprehension pdf blueskywildlife com - Sep 05 2022

web aug 26 2023 as this rally coach activity comprehension pdf it ends taking place brute one of the favored book rally coach activity comprehension pdf collections that we have this is why you remain in the best website to see the amazing

ebook to have reimagining our futures together international commission on the futures of education
improving students reading comprehension using rally coach - Feb 10 2023

web rally coach strategy is suitable with the theory that has been stated by vygotsky that every child or student has their own zone of proximal development zpd and he focuses more on the social development

rally coach activity comprehension help discoveram - May 01 2022

web jun 12 2023 this rally coach activity comprehension as one of the bulk running sellers here will completely be paired with by the best options to review so once you requisite the books speedily you can straight get it

rally coach activity comprehension portal sombridge edu so - Dec 08 2022

web whether you re new to literacy coaching or a seasoned coach here s a resource with more than 50 easy to use tools for improving literacy instruction honing your coaching skills and creating an effective literacy program in grades k 12 all tools are also available for download handbook of research on

rally coach kagan strategy teaching website - Jun 14 2023

web nov 26 2016 in this month s feature during the kagan series we are examining rally coach rally coach is a strategy that i utilize extremely often in my high school language arts classroom not only is it a fun and engaging way for students to work together but it also helps ensure increased participation among all students

rally coach activity comprehension - Dec 28 2021

web 2 rally coach activity comprehension 2019 08 04 81 fresh fun critical thinking activities international reading assoc this book is intended for middle school and high school teachers of social studies science english english language development and any other subject with challenging texts and classes with

rally coach activity comprehension - May 13 2023

web rally coach activity comprehension hands on literacy coaching jun 26 2022 integrating literacy instruction and coaching this step by step guide is for literacy coaches teachers and administrators of all grade levels it uses an explicit instruction model complete with ready to use strategies charts checklists protocols and teaching

rally coach activity comprehension monograf no - Jun 02 2022

web rally coach activity comprehension 3 3 helps you understand these important considerations in caring for older adults expanded tables boxes and forms including the latest scales and guidelines for proper health assessment make information easy to find and use activities and discussion questions at the end of every chapter equip you with

results for rally coach tpt - Nov 07 2022

web practicing place value concepts to the hundreds can be engaging and fun using rally coach during this cooperative learning activity partners will get the chance to coach each other while putting three digit numbers in unit standard

expanded and word forms this allows students to work together and verbalize their understanding of

rally coach activity comprehension book - Aug 16 2023

web rally coach activity comprehension the positive coach approach feb 20 2021 the three brave little boys and their articulation antics has been written to help encourage articulation and language development for all children especially those who may have difficulty with articulation pronunciation

rallycoachactivitycomprehension pdf net buckcenter edu - Feb 27 2022

web about reading comprehension the volume is organized around seven themes historical perspectives on reading comprehension theoretical perspectives changing views of text elements of reading comprehension assessing and teaching reading comprehension cultural impact on

rally coach activity comprehension secure4 khronos - Jan 29 2022

web rally coach activity comprehension free press four candidates will compete for the adams county board of supervisors district 3 seat in june 5 primary election

rally coach teaching resources - Apr 12 2023

web apr 5 2016 various rally coach activities designed to aid cooperative learning though pupils coaching each other

rally coach activity comprehension pdf shaul io - Jul 15 2023

web rally coach activity comprehension this is likewise one of the factors by obtaining the soft documents of this rally coach activity comprehension by online you might not require more get older to spend to go to the books introduction as capably as search for them in some cases you likewise accomplish not discover the statement rally coach

rally coach ela teaching resources teachers pay teachers - Mar 11 2023

web this rally coach activity provides students the opportunity to practice writing a preview sentence for their introductory paragraph students are provided a t chart planner and the topic sentence for an introductory paragraph and then use the rally coach structure to practice creating a sentence that previews their big ideas

rally coach activity comprehension analytics testkestories - Jul 03 2022

web useful you have remained in right site to begin getting this info get the rally coach activity comprehension link that we pay for here and check out the link you could purchase guide rally coach activity comprehension or acquire it as soon as feasible you could quickly download this rally coach activity comprehension after getting deal

Reviewing **Ge Appliance Instruction Manuals**: Unlocking the Spellbinding Force of Linguistics

In a fast-paced world fueled by information and interconnectivity, the spellbinding force of linguistics has acquired newfound prominence. Its capacity to evoke emotions, stimulate contemplation, and stimulate metamorphosis is truly astonishing. Within the pages of "**Ge Appliance Instruction Manuals**," an enthralling opus penned by a very acclaimed wordsmith, readers set about an immersive expedition to unravel the intricate significance of language and its indelible imprint on our lives. Throughout this assessment, we shall delve in to the book is central motifs, appraise its distinctive narrative style, and gauge its overarching influence on the minds of its readers.

https://offsite.creighton.edu/files/virtual-library/Documents/lesson_plan_assessment_example.pdf

https://offsite.creighton.edu/files/virtual-library/Documents/ledger_for_rent.pdf

https://offsite.creighton.edu/files/virtual-library/Documents/learn_basic_thai.pdf

Table of Contents Ge Appliance Instruction Manuals

1. Understanding the eBook Ge Appliance Instruction Manuals
 - The Rise of Digital Reading Ge Appliance Instruction Manuals
 - Advantages of eBooks Over Traditional Books
2. Identifying Ge Appliance Instruction Manuals
 - Exploring Different Genres
 - Considering Fiction vs. Non-Fiction
 - Determining Your Reading Goals
3. Choosing the Right eBook Platform
 - Popular eBook Platforms

- Features to Look for in an Ge Appliance Instruction Manuals
- User-Friendly Interface
- 4. Exploring eBook Recommendations from Ge Appliance Instruction Manuals
 - Personalized Recommendations
 - Ge Appliance Instruction Manuals User Reviews and Ratings
 - Ge Appliance Instruction Manuals and Bestseller Lists
- 5. Accessing Ge Appliance Instruction Manuals Free and Paid eBooks
 - Ge Appliance Instruction Manuals Public Domain eBooks
 - Ge Appliance Instruction Manuals eBook Subscription Services
 - Ge Appliance Instruction Manuals Budget-Friendly Options
- 6. Navigating Ge Appliance Instruction Manuals eBook Formats
 - ePub, PDF, MOBI, and More
 - Ge Appliance Instruction Manuals Compatibility with Devices
 - Ge Appliance Instruction Manuals Enhanced eBook Features
- 7. Enhancing Your Reading Experience
 - Adjustable Fonts and Text Sizes of Ge Appliance Instruction Manuals
 - Highlighting and Note-Taking Ge Appliance Instruction Manuals
 - Interactive Elements Ge Appliance Instruction Manuals
- 8. Staying Engaged with Ge Appliance Instruction Manuals
 - Joining Online Reading Communities
 - Participating in Virtual Book Clubs
 - Following Authors and Publishers Ge Appliance Instruction Manuals
- 9. Balancing eBooks and Physical Books Ge Appliance Instruction Manuals
 - Benefits of a Digital Library
 - Creating a Diverse Reading Collection Ge Appliance Instruction Manuals
- 10. Overcoming Reading Challenges
 - Dealing with Digital Eye Strain
 - Minimizing Distractions
 - Managing Screen Time
- 11. Cultivating a Reading Routine Ge Appliance Instruction Manuals

- Setting Reading Goals Ge Appliance Instruction Manuals
- Carving Out Dedicated Reading Time
- 12. Sourcing Reliable Information of Ge Appliance Instruction Manuals
 - Fact-Checking eBook Content of Ge Appliance Instruction Manuals
 - Distinguishing Credible Sources
- 13. Promoting Lifelong Learning
 - Utilizing eBooks for Skill Development
 - Exploring Educational eBooks
- 14. Embracing eBook Trends
 - Integration of Multimedia Elements
 - Interactive and Gamified eBooks

Ge Appliance Instruction Manuals Introduction

In this digital age, the convenience of accessing information at our fingertips has become a necessity. Whether its research papers, eBooks, or user manuals, PDF files have become the preferred format for sharing and reading documents. However, the cost associated with purchasing PDF files can sometimes be a barrier for many individuals and organizations. Thankfully, there are numerous websites and platforms that allow users to download free PDF files legally. In this article, we will explore some of the best platforms to download free PDFs. One of the most popular platforms to download free PDF files is Project Gutenberg. This online library offers over 60,000 free eBooks that are in the public domain. From classic literature to historical documents, Project Gutenberg provides a wide range of PDF files that can be downloaded and enjoyed on various devices. The website is user-friendly and allows users to search for specific titles or browse through different categories. Another reliable platform for downloading Ge Appliance Instruction Manuals free PDF files is Open Library. With its vast collection of over 1 million eBooks, Open Library has something for every reader. The website offers a seamless experience by providing options to borrow or download PDF files. Users simply need to create a free account to access this treasure trove of knowledge. Open Library also allows users to contribute by uploading and sharing their own PDF files, making it a collaborative platform for book enthusiasts. For those interested in academic resources, there are websites dedicated to providing free PDFs of research papers and scientific articles. One such website is Academia.edu, which allows researchers and scholars to share their work with a global audience. Users can download PDF files of research papers, theses, and dissertations covering a wide range of subjects. Academia.edu also provides a platform for discussions and networking within the academic community. When it comes to downloading Ge Appliance Instruction Manuals free PDF files of magazines,

brochures, and catalogs, Issuu is a popular choice. This digital publishing platform hosts a vast collection of publications from around the world. Users can search for specific titles or explore various categories and genres. Issuu offers a seamless reading experience with its user-friendly interface and allows users to download PDF files for offline reading. Apart from dedicated platforms, search engines also play a crucial role in finding free PDF files. Google, for instance, has an advanced search feature that allows users to filter results by file type. By specifying the file type as "PDF," users can find websites that offer free PDF downloads on a specific topic. While downloading Ge Appliance Instruction Manuals free PDF files is convenient, it's important to note that copyright laws must be respected. Always ensure that the PDF files you download are legally available for free. Many authors and publishers voluntarily provide free PDF versions of their work, but it's essential to be cautious and verify the authenticity of the source before downloading Ge Appliance Instruction Manuals. In conclusion, the internet offers numerous platforms and websites that allow users to download free PDF files legally. Whether it's classic literature, research papers, or magazines, there is something for everyone. The platforms mentioned in this article, such as Project Gutenberg, Open Library, Academia.edu, and Issuu, provide access to a vast collection of PDF files. However, users should always be cautious and verify the legality of the source before downloading Ge Appliance Instruction Manuals any PDF files. With these platforms, the world of PDF downloads is just a click away.

FAQs About Ge Appliance Instruction Manuals Books

How do I know which eBook platform is the best for me? Finding the best eBook platform depends on your reading preferences and device compatibility. Research different platforms, read user reviews, and explore their features before making a choice. Are free eBooks of good quality? Yes, many reputable platforms offer high-quality free eBooks, including classics and public domain works. However, make sure to verify the source to ensure the eBook's credibility. Can I read eBooks without an eReader? Absolutely! Most eBook platforms offer web-based readers or mobile apps that allow you to read eBooks on your computer, tablet, or smartphone. How do I avoid digital eye strain while reading eBooks? To prevent digital eye strain, take regular breaks, adjust the font size and background color, and ensure proper lighting while reading eBooks. What's the advantage of interactive eBooks? Interactive eBooks incorporate multimedia elements, quizzes, and activities, enhancing the reader engagement and providing a more immersive learning experience. Ge Appliance Instruction Manuals is one of the best books in our library for free trial. We provide a copy of Ge Appliance Instruction Manuals in digital format, so the resources that you find are reliable. There are also many eBooks related to Ge Appliance Instruction Manuals. Where to download Ge Appliance Instruction Manuals online for free? Are you looking for Ge Appliance Instruction Manuals PDF? This is definitely going to save you time and cash in something you should think about.

Find Ge Appliance Instruction Manuals :

~~lesson plan assessment example~~

ledger for rent

~~learn basic thai~~

les adieux a la reine

~~lesson plan template pages~~

~~learning filipino for beginners~~

learn structured text

lexus fake manual

learn managerial accounting

lemons in witchcraft

~~lesson plan template early childhood education~~

learn thai in 10 days

learn to fingerpick acoustic guitar

~~lemonade war series~~

letting go of anger book

Ge Appliance Instruction Manuals :