

T15040EN04601

Fuel Camshaft

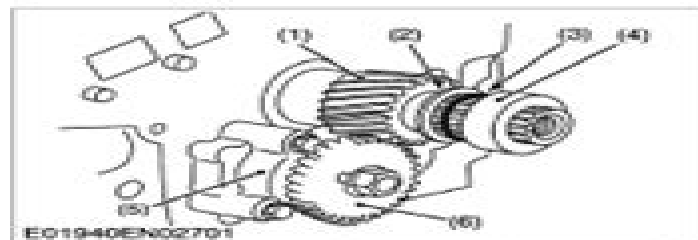
1. Remove the screws and draw out the camshaft with the gear on it.
2. Remove the retaining plate (1).
3. Remove the screws, then draw out the injection pump gear (2) and fuel camshaft (3) with the governor fork assembly.

(When reassembling)

- Hook the spring to the fork lever 2 (4) as shown in the figure before installing the fork lever assembly to the crankcase.

- | | |
|-------------------------|---------------------|
| (1) Retaining Plate | (4) Fork Lever 2 |
| (2) Injection Pump Gear | (5) Fork Lever 1 |
| (3) Fuel Camshaft | (6) Governor Sleeve |

W10178820



EO1940EN02701

Oil Pump and Crankshaft Gear

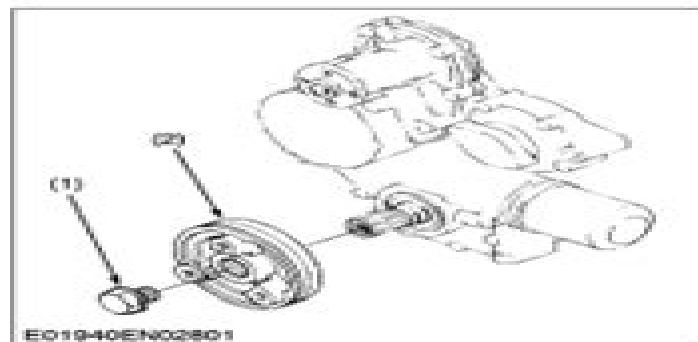
1. Remove the oil pump gear (6).
2. Remove the oil pump (5).
3. Remove the collar (4), O-ring (3) and oil slinger (2).
4. Remove the crankshaft gear (1) with a puller.

(When reassembling)

- Install the oil slinger (2) and O-ring (3) after aligning the marks on the gears. (See the figure at "Idle Gear".)
- Install the crankshaft collar (4) after installing the gear case cover.

- | | |
|----------------------------|-----------------------|
| (1) Crankshaft Gear | (4) Crankshaft Collar |
| (2) Crankshaft Oil Slinger | (5) Oil Pump |
| (3) O-ring | (6) Oil Pump Gear |

W10180290

**(C) Timing Gears, Fuel Camshaft and Camshaft
[D1105-E-ZD]**

EO1940EN02801

Fan Drive Pulley

1. Set the stopper to the flywheel.
2. Remove the fan drive pulley screw (1).
3. Draw out the fan drive pulley (2) with a puller.

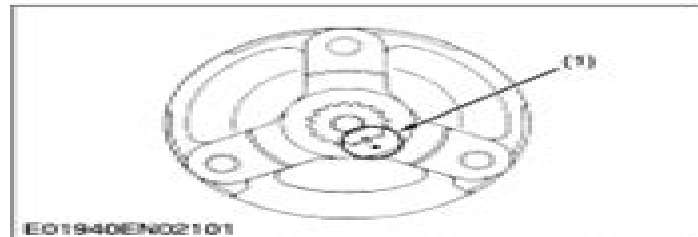
(When reassembling)

- Install the fan drive pulley to the crankshaft, aligning the marks (3) on them.

Tightening torque	Fan drive pulley retaining screw	235.4 to 245.2 N·m 24.0 to 25.0 kgf·m 173.6 to 180.6 ft·lbs
-------------------	----------------------------------	-------------------------------------------------------------------

- | | |
|----------------------------|-------------------|
| (1) Fan Drive Pulley Screw | (3) Aligning Mark |
| (2) Fan Drive Pulley | |

W1035250



EO1940EN02101

Kubota Zd28 Service Manual

Caterpillar Inc



Kubota Zd28 Service Manual
<i>Kubota Shop Manual</i> Penton Staff,2000-05-24 Models L175 L210 L225 L225DT L260 Models B5100D B5100E B6100D B6100E B6100HST D B6100HST E B7100D B7100HST D B7100HST E Models L185 L235 L245 L275 L285 L295 L305 L345 L355
<i>Kubota Lawn Tractor. Model T1400, T1400H Workshop Manual</i> Kubota Tekkō Kabushiki Kaisha,198?
CJ-10 Technical Service Manual ,1982
Mistubishi Jeep Diesel English Service Manual 4DR5 James Danko,2009-03-03 Complete factory style service manual for Mitsubishi Jeeps produced in Japan This manual covers both Military Civilian versions of domestic and export versions Complete rebuild of you engine and turbocharger if equipped Easy to use diagrams and full specification guide Rebuild your engine Fuel Injection timing gears starter alternator and more This book is a must for the Mitsubishi Jeep owner All written in English
Service Manual ,1972
<i>Dodge Durango/Dakota Repair Manual</i> Jay Storer,2005 Covers all Dodge Durango and Dakota models 2001 through 2003
Mitsubishi Pajero Mini 660cc English Mechanical Factory Service Manual James Danko,2011
<i>Service Manual, 3408 & 3408B Diesel Truck Engine</i> Caterpillar Inc,1987
Series 92 Service Manual Detroit Diesel Corporation,1988
Service Manual, 3406B Diesel Truck Engine Caterpillar Inc,1987
<i>Service Manual, 3406C (PEEC III) Diesel Truck Engine</i> Caterpillar Inc,1994
Service Manual Caterpillar Tractor Company (U.S.A),1983
Caterpillar Service Manual Caterpillar Company,2000
Dispatcher 100 ,1974
Service Manual, 3406C Diesel Truck Engine Caterpillar Inc,1992
Service Manual, 3306B Diesel Truck Engine Caterpillar Inc,1988*
Service Manual ,1989
<i>Service manual for HD series diesel tractors</i> Allis-Chalmers Manufacturing Company. Industrial Service Department. Tractor Division,194?
John Deere 4620 Tractor Technical Service Repair Manual ,1976-04-15
<i>Service Manual</i> Diamond T Motor Car Company. Service Dept,1948

The Enthralling Realm of Kindle Books: A Detailed Guide Unveiling the Benefits of Kindle Books: A Realm of Convenience and Flexibility Kindle books, with their inherent portability and ease of availability, have liberated readers from the constraints of hardcopy books. Gone are the days of lugging bulky novels or meticulously searching for specific titles in shops. Kindle devices, stylish and lightweight, effortlessly store an wide library of books, allowing readers to immerse in their favorite reads anytime, everywhere. Whether commuting on a bustling train, lounging on a sun-kissed beach, or just cozying up in bed, E-book books provide an exceptional level of ease. A Reading Universe Unfolded: Exploring the Vast Array of Kindle Kubota Zd28 Service Manual Kubota Zd28 Service Manual The Kindle Store, a digital treasure trove of literary gems, boasts an wide collection of books spanning diverse genres, catering to every readers taste and preference. From gripping fiction and mind-stimulating non-fiction to classic classics and contemporary bestsellers, the E-book Store offers an exceptional abundance of titles to explore. Whether looking for escape through engrossing tales of fantasy and adventure, diving into the depths of past narratives, or expanding ones understanding with insightful works of science and philosophy, the Kindle Shop provides a gateway to a bookish universe brimming with limitless possibilities. A Transformative Force in the Literary Landscape: The Lasting Impact of Kindle Books Kubota Zd28 Service Manual The advent of E-book books has certainly reshaped the literary scene, introducing a model shift in the way books are published, disseminated, and consumed. Traditional publication houses have embraced the digital revolution, adapting their approaches to accommodate the growing demand for e-books. This has led to a surge in the accessibility of E-book titles, ensuring that readers have access to a wide array of bookish works at their fingers. Moreover, E-book books have democratized access to books, breaking down geographical barriers and providing readers worldwide with equal opportunities to engage with the written word. Regardless of their place or socioeconomic background, individuals can now immerse themselves in the intriguing world of books, fostering a global community of readers. Conclusion: Embracing the E-book Experience Kubota Zd28 Service Manual E-book books Kubota Zd28 Service Manual, with their inherent ease, flexibility, and wide array of titles, have certainly transformed the way we experience literature. They offer readers the freedom to discover the boundless realm of written expression, anytime, everywhere. As we continue to travel the ever-evolving online landscape, E-book books stand as testament to the persistent power of storytelling, ensuring that the joy of reading remains reachable to all.

https://offsite.creighton.edu/public/Resources/fetch.php/mercedes_workshop_manual.pdf

https://offsite.creighton.edu/public/Resources/fetch.php/Military_Sleep_Apnea_Disability.pdf

https://offsite.creighton.edu/public/Resources/fetch.php/Middle_School_Posters.pdf

Table of Contents Kubota Zd28 Service Manual

1. Understanding the eBook Kubota Zd28 Service Manual
 - The Rise of Digital Reading Kubota Zd28 Service Manual
 - Advantages of eBooks Over Traditional Books
2. Identifying Kubota Zd28 Service Manual
 - Exploring Different Genres
 - Considering Fiction vs. Non-Fiction
 - Determining Your Reading Goals
3. Choosing the Right eBook Platform
 - Popular eBook Platforms
 - Features to Look for in an Kubota Zd28 Service Manual
 - User-Friendly Interface
4. Exploring eBook Recommendations from Kubota Zd28 Service Manual
 - Personalized Recommendations
 - Kubota Zd28 Service Manual User Reviews and Ratings
 - Kubota Zd28 Service Manual and Bestseller Lists
5. Accessing Kubota Zd28 Service Manual Free and Paid eBooks
 - Kubota Zd28 Service Manual Public Domain eBooks
 - Kubota Zd28 Service Manual eBook Subscription Services
 - Kubota Zd28 Service Manual Budget-Friendly Options
6. Navigating Kubota Zd28 Service Manual eBook Formats
 - ePub, PDF, MOBI, and More
 - Kubota Zd28 Service Manual Compatibility with Devices
 - Kubota Zd28 Service Manual Enhanced eBook Features
7. Enhancing Your Reading Experience
 - Adjustable Fonts and Text Sizes of Kubota Zd28 Service Manual
 - Highlighting and Note-Taking Kubota Zd28 Service Manual
 - Interactive Elements Kubota Zd28 Service Manual
8. Staying Engaged with Kubota Zd28 Service Manual

- Joining Online Reading Communities
- Participating in Virtual Book Clubs
- Following Authors and Publishers Kubota Zd28 Service Manual
- 9. Balancing eBooks and Physical Books Kubota Zd28 Service Manual
 - Benefits of a Digital Library
 - Creating a Diverse Reading Collection Kubota Zd28 Service Manual
- 10. Overcoming Reading Challenges
 - Dealing with Digital Eye Strain
 - Minimizing Distractions
 - Managing Screen Time
- 11. Cultivating a Reading Routine Kubota Zd28 Service Manual
 - Setting Reading Goals Kubota Zd28 Service Manual
 - Carving Out Dedicated Reading Time
- 12. Sourcing Reliable Information of Kubota Zd28 Service Manual
 - Fact-Checking eBook Content of Kubota Zd28 Service Manual
 - Distinguishing Credible Sources
- 13. Promoting Lifelong Learning
 - Utilizing eBooks for Skill Development
 - Exploring Educational eBooks
- 14. Embracing eBook Trends
 - Integration of Multimedia Elements
 - Interactive and Gamified eBooks

Kubota Zd28 Service Manual Introduction

In the digital age, access to information has become easier than ever before. The ability to download Kubota Zd28 Service Manual has revolutionized the way we consume written content. Whether you are a student looking for course material, an avid reader searching for your next favorite book, or a professional seeking research papers, the option to download Kubota Zd28 Service Manual has opened up a world of possibilities. Downloading Kubota Zd28 Service Manual provides numerous advantages over physical copies of books and documents. Firstly, it is incredibly convenient. Gone are the days of carrying around heavy textbooks or bulky folders filled with papers. With the click of a button, you can gain immediate access to

valuable resources on any device. This convenience allows for efficient studying, researching, and reading on the go. Moreover, the cost-effective nature of downloading Kubota Zd28 Service Manual has democratized knowledge. Traditional books and academic journals can be expensive, making it difficult for individuals with limited financial resources to access information. By offering free PDF downloads, publishers and authors are enabling a wider audience to benefit from their work. This inclusivity promotes equal opportunities for learning and personal growth. There are numerous websites and platforms where individuals can download Kubota Zd28 Service Manual. These websites range from academic databases offering research papers and journals to online libraries with an expansive collection of books from various genres. Many authors and publishers also upload their work to specific websites, granting readers access to their content without any charge. These platforms not only provide access to existing literature but also serve as an excellent platform for undiscovered authors to share their work with the world. However, it is essential to be cautious while downloading Kubota Zd28 Service Manual. Some websites may offer pirated or illegally obtained copies of copyrighted material. Engaging in such activities not only violates copyright laws but also undermines the efforts of authors, publishers, and researchers. To ensure ethical downloading, it is advisable to utilize reputable websites that prioritize the legal distribution of content. When downloading Kubota Zd28 Service Manual, users should also consider the potential security risks associated with online platforms. Malicious actors may exploit vulnerabilities in unprotected websites to distribute malware or steal personal information. To protect themselves, individuals should ensure their devices have reliable antivirus software installed and validate the legitimacy of the websites they are downloading from. In conclusion, the ability to download Kubota Zd28 Service Manual has transformed the way we access information. With the convenience, cost-effectiveness, and accessibility it offers, free PDF downloads have become a popular choice for students, researchers, and book lovers worldwide. However, it is crucial to engage in ethical downloading practices and prioritize personal security when utilizing online platforms. By doing so, individuals can make the most of the vast array of free PDF resources available and embark on a journey of continuous learning and intellectual growth.

FAQs About Kubota Zd28 Service Manual Books

How do I know which eBook platform is the best for me? Finding the best eBook platform depends on your reading preferences and device compatibility. Research different platforms, read user reviews, and explore their features before making a choice. Are free eBooks of good quality? Yes, many reputable platforms offer high-quality free eBooks, including classics and public domain works. However, make sure to verify the source to ensure the eBook credibility. Can I read eBooks without an eReader? Absolutely! Most eBook platforms offer webbased readers or mobile apps that allow you to read

eBooks on your computer, tablet, or smartphone. How do I avoid digital eye strain while reading eBooks? To prevent digital eye strain, take regular breaks, adjust the font size and background color, and ensure proper lighting while reading eBooks. What the advantage of interactive eBooks? Interactive eBooks incorporate multimedia elements, quizzes, and activities, enhancing the reader engagement and providing a more immersive learning experience. Kubota Zd28 Service Manual is one of the best book in our library for free trial. We provide copy of Kubota Zd28 Service Manual in digital format, so the resources that you find are reliable. There are also many Ebooks of related with Kubota Zd28 Service Manual. Where to download Kubota Zd28 Service Manual online for free? Are you looking for Kubota Zd28 Service Manual PDF? This is definitely going to save you time and cash in something you should think about. If you trying to find then search around for online. Without a doubt there are numerous these available and many of them have the freedom. However without doubt you receive whatever you purchase. An alternate way to get ideas is always to check another Kubota Zd28 Service Manual. This method for see exactly what may be included and adopt these ideas to your book. This site will almost certainly help you save time and effort, money and stress. If you are looking for free books then you really should consider finding to assist you try this. Several of Kubota Zd28 Service Manual are for sale to free while some are payable. If you arent sure if the books you would like to download works with for usage along with your computer, it is possible to download free trials. The free guides make it easy for someone to free access online library for download books to your device. You can get free download on free trial for lots of books categories. Our library is the biggest of these that have literally hundreds of thousands of different products categories represented. You will also see that there are specific sites catered to different product types or categories, brands or niches related with Kubota Zd28 Service Manual. So depending on what exactly you are searching, you will be able to choose e books to suit your own need. Need to access completely for Campbell Biology Seventh Edition book? Access Ebook without any digging. And by having access to our ebook online or by storing it on your computer, you have convenient answers with Kubota Zd28 Service Manual To get started finding Kubota Zd28 Service Manual, you are right to find our website which has a comprehensive collection of books online. Our library is the biggest of these that have literally hundreds of thousands of different products represented. You will also see that there are specific sites catered to different categories or niches related with Kubota Zd28 Service Manual So depending on what exactly you are searching, you will be able tochoose ebook to suit your own need. Thank you for reading Kubota Zd28 Service Manual. Maybe you have knowledge that, people have search numerous times for their favorite readings like this Kubota Zd28 Service Manual, but end up in harmful downloads. Rather than reading a good book with a cup of coffee in the afternoon, instead they juggled with some harmful bugs inside their laptop. Kubota Zd28 Service Manual is available in our book collection an online access to it is set as public so you can download it instantly. Our digital library spans in multiple locations, allowing you to get the most less latency time to download any of our books like this one. Merely said, Kubota Zd28 Service Manual is universally compatible

with any devices to read.

Find Kubota Zd28 Service Manual :

mercedes workshop manual

military sleep apnea disability

middle-school posters

methods of carving

military tickets to busch gardens williamsburg

metal method complete guitar course

[metal detecting on the beach](#)

mittell repair information company diagrams

[miles davis drugs](#)

memorizing functional groups

~~mock crime scene scenarios pdf~~

milo manara comic books

[microsoft office specialist master](#)

~~mercedes sam module~~

mo's bows book

Kubota Zd28 Service Manual :

diy folded fabric pinecone ornaments glitter inc - Jul 15 2023

web dec 23 2018 these diy folded fabric pinecones make the prettiest ornaments are perfect as gift toppers and use up leftover fabric scraps no sewing required great if you have a quilter in your life over thanksgiving my mom sister and i had so much fun making these folded fabric pinecone ornaments

[fabric pinecone ornaments etsy](#) - Sep 05 2022

web check out our fabric pinecone ornaments selection for the very best in unique or custom handmade pieces from our ornaments shops etsy search for items or shops close search skip to content sign in 0 cart holiday sales event jewelry accessories clothing shoes

no sew fabric pinecone ornaments tutorial rainy day mum - Apr 12 2023

web dec 15 2016 materials needed to make these pinecone fabric ornaments some contrasting fabrics i used 2 christmas fabrics a white and a dark coloured both with some gold metallic detail but you could use any contrasting fabrics fabric scissors pins 1 2 inch sequin pins are ideal egg foam shape ribbon ruler

how to make a quilted fabric pinecone ornament - Dec 28 2021

web aug 10 2012 i not only show you the basic technique for making these ornaments but i also give you several examples of variations to try and even show you a second fabric folding technique also it ll be instantly downloadable from the email you will receive as soon as you check out which is pretty great

making folded fabric pine cone ornaments pinecone ornaments folded - Jun 02 2022

web jan 6 2020 a customer asked if i d do a custom order for my folded fabric pine cone ornaments and i was happy to make some for her i love using the prairie pointer by susan k cleveland along with the woolie felted ironing mat my tailor s clapper it s the perfect trifecta for ironing crisp and perfect

diy no sew quilted pine cone ornament a shabby fabrics youtube - Dec 08 2022

web nov 22 2016 follow along with jen in this crafting tutorial learn how to create these beautiful quilted pinecone ornaments the best part is that there is no sewing n

[fabric pine cone ornaments etsy](#) - Mar 31 2022

web fabric pine cone ornaments 1 40 of 209 results price shipping vintage fabric pine cone ornament quilted fabric pine cone ornament babistreaures 2 331 12 91 rejoice pine cones berries 100 cotton p b textiles christmas fabric holiday fabric holly berries pine cones holly leaves quitchesgetstitches 1 941 2 95

[how to make a no sew quilted pinecone ornament diy joy](#) - Nov 07 2022

web directions first start off with the first square that is going to sit on the bottom to cover the base of the egg make sure you place the pin through the pattern side in the center and pin the four corners image by the ornament girl via youtube next make the layers going down the egg by creating a square fold

fabric pinecone diy fall decor ornaments it s so corinney - Jan 29 2022

web sep 8 2020 so i found some foam eggs at hobby lobby and i started cutting squares pretty soon i had the cutest pinecone ever at least in my opinion this easy no sew fabric pinecone is the perfect iconic image to decorate your house during fall or add a ribbon and make it into a christmas tree ornament this post contains affiliate links

folded fabric pinecone ornament cf ltkcdn net - Feb 27 2022

web folded fabric pinecone ornament things you ll need foam craft egg scrap of green fabric scrap of gold fabric about 175 short straight pins 24 inches of ¼ inch wide gold ribbon what to do 1 print out the pattern and use it to cut 20 pieces of green fabric and 36 pieces of gold fabric 2

no sew fabric pine cone christmas ornament diy tutorial - Oct 06 2022

web make your own christmas tree ornaments can be fun and easy as this fabric pine cone ornament it s versatile too not only be used to hang on tree or elsewhere but put over candle stick for table or mantle decoration add a vintage romantic and soft feeling for christmas decoration

how to make a no sew quilted pine cone square fold - Jun 14 2023

web aug 30 2020 learn to make a no sew fabric pinecone ornament using the square fold make sure you re subscribed so you don t miss future videos showing how to make quilt

folded fabric pinecone etsy - Feb 10 2023

web folded fabric pinecone ornaments pattern by sew many creations complete no sew pinecone kit christmas ornaments decorations crafts green cream and green checkered colors folded fabric kids craft

diy folded fabric pinecone ornaments glitter inc diy no - Jan 09 2023

web dec 23 2018 these diy foldable fabric pinecones make to prettiest ornaments am perfect more gifts toppers and how up leftover fabric scraps no sewing required great if you got a quilter in autochthonous life

diy folded fabric pinecone ornaments sparkling inc - Jul 03 2022

web dec 23 2018 these diy folded substance pinecones make the prettiest ornaments are perfecting as gift toppers press use up leftover fabric scraps no sewing desired great if you hold a freelance in your life

fabric pinecone ornament etsy - Aug 04 2022

web folded fabric pinecone ornaments pattern by sew many creations stitchnquilts 3 555 9 99 folded fabric pinecone quilted ornaments autumn ornament autumn house decor elisacreativebox 14 22 41 large quilted pinecone ornament tintvintage 37

fabric pinecone decorations my frugal christmas - May 01 2022

web dec 24 2014 4 0 save follow print flag these christmas pinecone decorations are a cute way to use up fabric scraps learn how to make them in this short video advertisement this video is part of the following guide which includes step by step instructions and other tips making folded fabric pinecones december 24 2014

making folded fabric pinecones my frugal christmas - Mar 11 2023

web dec 8 2015 steps cut out a paper or cardboard template 2 x 2 inches trace the template on to the wrong side of your fabric we used two different patterns you can use any combination of fabrics and colors you like to create your own unique design cut out the squares we made 55 of each color

folded fabric pinecone ornament etsy - May 13 2023

web check out our folded fabric pinecone ornament selection for the very best in unique or custom handmade pieces from our shops etsy

[how to folded fabric pinecone ornaments youtube](#) - Aug 16 2023

web dec 10 2012 310k views 10 years ago how to make folded fabric pine cone ornaments like the ones i did for the ornament exchange you can use any selection of fabric for these i used patterned

[piu ricche di un re lo stampatello](#) - Aug 24 2022

web più ricche di un re di cinzia barbero illustrazioni di bum ill art promosso dall associazione famiglie arcobaleno emma è una bambina molto speciale almeno questo pensano come tutti i genitori del mondo le sue due mamme un libro che con la lievità di una filastrocca racconta la felicità di essere al mondo

la famiglia reale più ricca d europa no non è quella inglese - Dec 28 2022

web may 21 2021 ecco la top ten delle monarchie più ricche d europa e no i windsor non sono i più ricchi di marco trabucchi 21 maggio 2021 1 6 prince hans adam ii liechtenstein il principe anche

piu ricche di un re pdf ai classmonitor - Jun 02 2023

web la merope tragedia con annotazioni dell autore e con la sua risposta alla lettera del sig di voltaire aggiungesi per altra mano la version francese in prose del sig freres e la inglese in verse del sig ayre con una confutazione della critica ultimamente stampata ital fr and eng piu ricche di un re downloaded from ai classmonitor

aerei d oro diamanti palazzi ecco i reali più ricchi del mondo - May 01 2023

web apr 30 2022 a chiudere la top ten delle teste coronate più ricche al mondo c è alberto di monaco che si deve accontentare di un miliardo di euro un patrimonio che include fra l altro un quarto del

[piu ricche di un re jmsseniorliving](#) - Apr 19 2022

web piu ricche di un re per il contadino del lazio la nostra patria manuale storico universale contenente i fatti più importanti accaduti dalla creazione a tutto il 1846 le biografie degli uomini più celebri le più utili invenzioni e

[uomini più ricchi di sempre nella storia come hanno fatto](#) - Jun 21 2022

web aug 3 2023 mansa musa 1280 1337 è stato il decimo imperatore dell impero del mali il più grande impero dell africa occidentale dal xiii al xvi secolo È considerato uno dei più ricchi uomini della storia forse il più ricco il patrimonio netto di mansa musa è difficile da stimare ma si ritiene che fosse di miliardi di dollari in dollari moderni

più ricche di un re cinzia barbero lo stampatello 2011 - Sep 24 2022

web più ricche di un re è un libro di barbero cinzia pubblicato da lo stampatello isbn 9788890579912

le 50 persone più ricche della storia wired italia - Jan 29 2023

web oct 29 2018 le 50 persone più ricche della storia da nerone a gengis khan dalla regina cinese wu zetian a ford ecco una lista delle personalità del passato che hanno accumulato patrimoni da record

piu ricche di un re uniport edu - Mar 19 2022

web may 22 2023 piu ricche di un re is available in our book collection an online access to it is set as public so you can get it instantly our book servers spans in multiple countries allowing you to get the most less latency time to download

chi sono le star di hollywood più ricche nel 2021 elle - May 21 2022

web aug 21 2021 il magazine variety ha ricostruito la top 10 degli attori più ricchi snocciolando cachet da capogiro il più povero si è dovuto accontentare di 3 milioni di dollari il più ricco si è

10 persone più ricche di tutti i tempi nella storia umana - Mar 31 2023

web mar 31 2023 avere il denaro necessario per i bisogni di una persona ti consente di provvedere a tutti i tuoi bisogni e ti dà un senso di controllo e una sensazione di soddisfazione se stai cercando le persone più ricche di tutti i tempi inclusi re e imperatori guarda il video qui sotto

re e sovrani più ricchi del mondo classifica 2023 travel365 - Oct 06 2023

web secondo l'indagine dalla rivista ceo world e del forbes è il re più ricco del mondo con un patrimonio di 43 miliardi di dollari titolo re di thailandia patrimonio stimato 43 miliardi

più ricche di un re barbero cinzia amazon it libri - Jul 23 2022

web ci impegniamo a proteggere i tuoi dati e la tua privacy il nostro sistema di protezione dei pagamenti crittografa i tuoi dati durante la trasmissione non divulghiamo i dati della tua carta di credito a venditori terzi né rivendiamo i tuoi dati personali a

i cinesi più ricchi la classifica di forbes 2022 forbes italia - Oct 26 2022

web apr 26 2022 per il secondo anno consecutivo il miliardario più ricco della cina è il re dell'acqua in bottiglia e del tè zhong shanshan fondatore di nongfu spring zhong che ha lasciato la scuola alle elementari ha un patrimonio stimato in 65 7 miliardi di dollari ovvero 3 2 miliardi in meno del 2021 È la 17esima persona più ricca del mondo

più ricche di un re libreria universitaria - Nov 26 2022

web acquista più ricche di un re su libreria universitaria spedizione gratuita sopra i 25 euro su libreria universitaria

la top ten dei reali più ricchi del mondo e non c'è la regina - Jul 03 2023

web jun 12 2021 la top ten dei sovrani più ricchi del mondo il reale più ricco del mondo secondo la classifica stilata da business insider è il thailandese maha vajiralongkorn 67 anni il suo

più ricche di un re pro contro - Feb 27 2023

web apr 15 2014 cinzia barbero scrive questa filastrocca per spiegare alla figlia piccola perché ha due mamme emma è una bimba molto speciale le piace ridere correre sognare proprio come a tutti le sue due mamme l'amano tanto insieme noi tre siamo più felici e ricche di un re proprio come tutte le famiglie che bel dono è

più ricche di un re cinzia barbero libro lo stampatello ibs - Sep 05 2023

web più ricche di un re è un libro di cinzia barbero pubblicato da lo stampatello acquista su ibs a 9 02

più ricche di un re cinzia barbero libro mondadori store - Aug 04 2023

web acquista online il libro più ricche di un re di cinzia barbero in offerta a prezzi imbattibili su mondadori store

gli ebrei controllano la metà della ricchezza degli stati uniti - Feb 15 2022

web feb 10 2019 gli ebrei controllano la metà della ricchezza degli stati uniti quindi guardando al totale delle attività o del reddito i dati mostrano che in america gli ebrei possiedono o controllano circa la metà della ricchezza almeno tra le élite più ricche

download solutions chapter 18 biology guided reading pdf pdf - Oct 06 2022

web apr 1 2023 file name chapter 18 biology guided reading pdf size 6869 kb type pdf epub ebook category book uploaded 2023 mar 16 18 41 rating 4 6 5 from 748 votes in order to read or download disegnare con la parte destra del biology guided

and study workbook answers chapter18 april 27th 2018 guided reading and study workbook chapter 18

chapter 1 1 the science of biology guided reading and study workbook - Nov 07 2022

web chapter 1 1 the science of biology guided reading and study workbook what is the goal of science click the card to flip to investigate and understand nature to explain events in nature and to use those explanations to

biology houston independent school district - Aug 04 2022

web study guide to review what you have read in every section of the textbook and to check your understanding of the chapter content the vocabulary reviews take a variety of formats including flowcharts crossword puzzles labeling multiple choice questions and matching exercises part 2 guided reading and study workbook with ipc review the

biology guided and study workbook answers chapter18 - Jan 29 2022

web earth science guided reading and study workbook answers biology guided and study workbook answers chapter18

biology study workbook a 9780133687187 slader earth science guided reading and study workbook answer key guided reading and study workbook chapter 18 answers bing biology guided and study

biology guided and study workbook answers chapter18 - Mar 11 2023

web may 5th 2018 biology guided reading and study workbook chapter 18 answer key guided reading and study workbook

chapter 18 workbook answer key the science of biology guided reading and study workbook chapter 12 4 answer key

handbook of biology jigssolanki - Dec 28 2021

web size 18 62mb pages 654 the book handbook of biology is useful for the students of class 11th and 12th who are pursuing the field of biology the book covers vast portions of the concepts in biology the concepts and descriptions that have been provided in this book follow an easy to understand the pattern

biology guided and study workbook answers chapter18 - May 01 2022

web biology guided and study workbook answers chapter18 this is likewise one of the factors by obtaining the soft documents of this biology guided and study workbook answers chapter18 by online you might not require more become old to spend to go to the ebook start as competently as search for them in some cases you likewise pull off

[biology guided and study workbook answers chapter18](#) - May 13 2023

web march 24th 2018 biology study workbook a answers guided reading and study workbook chapter 18 answer key chapter 18 answer key kinns medical assistant answer key to chapter april 28th 2018 read and download biology guided and study workbook answers chapter18 free ebooks in pdf format power steering belt

biology workbook answers 3rd edition pdf soil - Jan 09 2023

web answers to workbook exercises chapter 22 s exercise 22 1 acid rain and wildlife an experiment that makes clear what variable s is changing and what is being measured in canadian lakes perhaps also with some mention of the control a the low ph could be caused by acid rain this of other variables could be produced when fossil fuels are burnt

biology study workbook chapter 18 answer key erickminer1 s blog - Jul 03 2022

web time 11 06 2012 nick fothanes biology study workbook chapter 18 answer key workbook a pearson education inc answer key biology pdf full workbook a pearson education inc answer key biology guided reading and study workbook chapter 18 155 pearson education

[biology chapter 18 study guide answers flashcards quizlet](#) - Jun 14 2023

web biology chapter 18 study guide answers what are the two divisions used by aristotle click the card to flip plants and animals sea or air click the card to flip 1 29

chapter 18 workbook flashcards quizlet - Dec 08 2022

web chapter 18 workbook flashcards quizlet are a variety of bacteria that require oxygen to grow computer science a defaultparam 6 6 6 b defaultparam 3 4 3 4 3 4 c defaultparam 3 3 3 0 2 8 0 2 8 0 2 8 verified answer computer science *chapter 18 biology guided reading orientation sutd edu* - Mar 31 2022

web chapter 18 biology guided reading guided reading and study workbook chapter 22 answers biology key biology guided reading and study workbook chapter 18 answer key help charities guided reading and study workbook chapter 3 what is ecology answer key create and print tests or study guides in minutes from a bank of thousands

biology guided and study workbook answers chapter18 pdf pdf - Jun 02 2022

web biology guided and study workbook answers chapter18 pdf pdf eventually you will categorically discover a supplementary experience and completion by spending more biology guided and study workbook answers chapter18 david briggs pdf web molecular biology genetics and neuropsychopharmacology increasing the already impressive clinical

biology reading and study workbook 1st edition quizlet - Aug 16 2023

web find step by step solutions and answers to biology reading and study workbook 9780132013543 as well as thousands of textbooks so you can move forward with confidence fresh features from the 1 ai enhanced learning platform

biology guided and study workbook answers chapter18 - Apr 12 2023

web study workbook chapter 18 answer key guided reading and study workbook chapter 16 23 answers guided and study workbook biology plant responses the science of biology study chapter 18 biology workbook answers pdf download biology study workbook a 9780133687187 slader biology guided and study

biology guided and study workbook answers chapter18 david - Jul 15 2023

web biology guided and study workbook answers chapter18 this is likewise one of the factors by obtaining the soft documents of this biology guided and study workbook answers chapter18 by online you might not require more mature to spend to go to the books start as skillfully as search for them in some cases you likewise attain not

biology study workbook b 9780133614817 solutions and answers quizlet - Feb 10 2023

web find step by step solutions and answers to biology study workbook b 9780133614817 as well as thousands of textbooks so you can move forward with confidence

biology guided and study workbook answers chapter18 pdf - Sep 05 2022

web biology guided and study workbook answers chapter18 pdf pdf bukuclone ortax org created date 9 2 2023 7 40 54 am

biology guided and study workbook answers chapter18 - Feb 27 2022

web jun 11 2023 biology study workbook a answers guided reading and study workbook chapter 18 answer key chapter 18 answer key kinns medical assistant answer key to chapter answers chapter 15 guided reading chapter 50 guided reading answers at marks ap biology chapter 17 guided reading grades 9 12 earth science prentice hall guided