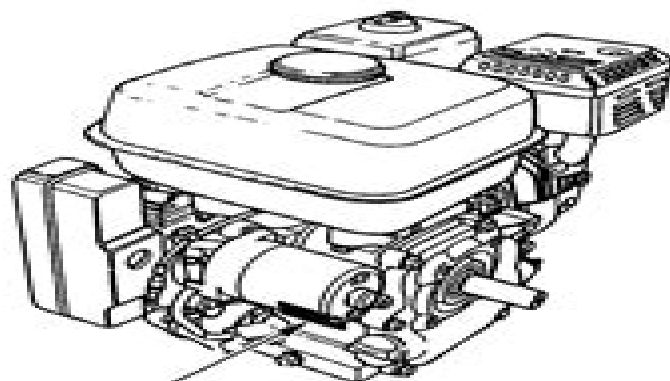


HONDA

GX120 · GX160 · GX200



Serial number and
engine type

OWNER'S MANUAL

32ZH7620
00X32-ZH7-6201

1

HONDA EUROPE N.V. (EEC)
www.honda-engines-eu.com



Gx160 Hayns Manual

Max Haynes



Gx160 Hayns Manual

Haynes GM N-Cars Owners Workshop Manual, No. 1420 Bob Henderson, J. H. Haynes, 1992 *M. G. B. Owner's Workshop Manual* John Harold Haynes, 1969 **Automotive Computer Codes** John Haynes, 2001-01-05 Computer controlled car repair made easy This manual is filled with simple do it yourself diagnosis easy access to on board computer trouble codes and complete and easy to understand code charts for all models **MGA** John Harold Haynes, Ian M. Coomber, 2013* **Oliver & Cockshutt Shop Manual** Editors of Haynes Manuals, 1992-06-01 With a Haynes manual you can do it yourself from simple maintenance to basic repairs Haynes writes every book based on a complete teardown of the vehicle where we learn the best ways to do a job and that makes it quicker easier and cheaper for you Haynes books have clear instructions and hundreds of photographs that show each step Whether you are a beginner or a pro you can save big with a Haynes manual This manual features complete coverage for your Oliver Cockshutt tractor covering Routine maintenance Tune up procedures Engine repair Cooling and heating Air conditioning Fuel and exhaust Emissions control Ignition brakes Suspension and steering Models covered include Oliver Cockshutt Oliver Model 2255 Oliver Cockshutt Series 1550 Oliver Cockshutt Series 1555 Oliver Cockshutt Series 1600 Oliver Cockshutt Series 1650 Oliver Cockshutt Series 1655 Oliver Cockshutt Series 1750 Oliver Cockshutt Series 1755 Oliver Cockshutt Series 1800 Oliver Cockshutt Series 1850 Oliver Cockshutt Series 1855 Oliver Cockshutt Series 1900 Oliver Cockshutt Series 1950 Oliver Cockshutt Series 1950 T Oliver Cockshutt Series 1955 Case International Shop Manuals 1190 1290 1390 1490+ Editors of Haynes Manuals, 1987-11-01 With a Haynes manual you can do it yourself from simple maintenance to basic repairs Haynes writes every book based on a complete teardown of the vehicle where we learn the best ways to do a job and that makes it quicker easier and cheaper for you Haynes books have clear instructions and hundreds of photographs that show each step Whether you are a beginner or a pro you can save big with a Haynes manual This manual features complete coverage for your Case International Tractor Models 1190 1290 1390 or 1490 covering Routine maintenance Tune up procedures Engine repair Cooling and heating Air conditioning Fuel and exhaust Emissions control Ignition Brakes Suspension and steering Electrical systems and Wiring diagrams **Honda VT1100 Shadow** Max Haynes, 2010-08-01 Haynes manuals are written specifically for the do it yourselfer yet are complete enough to be used by professional mechanics Since 1960 Haynes has produced manuals written from hands on experience based on a vehicle teardown with hundreds of photos and illustrations making Haynes the world leader in automotive repair information **Haynes Mini Owners Workshop Manual, No. 527** John Haynes, 1965-06-01 Haynes offers the best coverage for cars trucks vans SUVs and motorcycles on the market today Each manual contains easy to follow step by step instructions linked to hundreds of photographs and illustrations Included in every manual troubleshooting section to help identify specific problems tips that give valuable short cuts to make the job easier and

eliminate the need for special tools notes cautions and warnings for the home mechanic color spark plug diagnosis and an easy to use index *MGB* John Harold Haynes,1971 **Nissan 300ZX, 1984-1989** John Haynes,1986-11-02 Haynes disassembles every subject vehicle and documents every step with thorough instructions and clear photos Haynes repair manuals are used by the pros but written for the do it yourselfer *John Deere Shop Manual 520 530 620 630 720 +* Penton Staff,2000-05-24 Models 520 530 620 630 720 730 **General Motors N-cars Automotive Repair Manual** Richard Lindwall,John Harold Haynes,1995 GM N Cars 1985 95 Shop Manual Haynes 376 pgs 902 ill **Haynes Saturn S-Series 1991 thru 2002** Mark Ryan,2003-11-28 Each Haynes Manual is based on a complete teardown and rebuild of the specific vehicle Features hundreds of hands on photographs taken of specific repair procedures in progress Includes a full chapter on scheduled owner maintenance and devotes a full chapter to emissions systems Wiring diagrams are featured throughout *Allis-Chalmers Shop Manual AC20 AC17 AC25 & AC27* Editors of Haynes Manuals,1989-10-01 With a Haynes manual you can do it yourself from simple maintenance to basic repairs Haynes writes every book based on a complete teardown of the vehicle where we learn the best ways to do a job and that makes it quicker easier and cheaper for you Haynes books have clear instructions and hundreds of photographs that show each step Whether you are a beginner or a pro you can save big with a Haynes manual This manual features complete coverage for your Allis Chambers Tractor Model AC20 AC17 AC25 or AC27 covering routine maintenance tune up procedures engine repair cooling and heating air conditioning fuel and exhaust emissions control ignition brakes suspension and steering electrical systems and wiring diagrams **General Motors Haynes Repair Manual** Robert Maddox,1999 *General Motors X-cars Automotive Repair Manual* Rik Paul,John Harold Haynes,1995 **Chilton's Nissan 350Z & Infiniti G35 2003-08 Repair Manual** Jay Storer,2008 Covers U S and Canadian models of Nissan 350Z Infiniti G35 Does not include Infiniti G37 models **Case International Shop Manuals 1190 1290 1390 1490+** Editors of Haynes Manuals,1987-11-01 With a Haynes manual you can do it yourself from simple maintenance to basic repairs Haynes writes every book based on a complete teardown of the vehicle where we learn the best ways to do a job and that makes it quicker easier and cheaper for you Haynes books have clear instructions and hundreds of photographs that show each step Whether you are a beginner or a pro you can save big with a Haynes manual This manual features complete coverage for your Case International Tractor Models 1190 1290 1390 or 1490 covering Routine maintenance Tune up procedures Engine repair Cooling and heating Air conditioning Fuel and exhaust Emissions control Ignition Brakes Suspension and steering Electrical systems and Wring diagrams *Kia Sorento, '03-'13* Haynes Publishing,2018-05-01 Each Haynes manual provides specific and detailed instructions for performing everything from basic maintenance and troubleshooting to a complete overhaul of the machine in this case the Kia Sorento model years 2003 through 2013 Do it yourselfers will find this service and repair manual more comprehensive than the factory manual making it an indispensable part of their tool box A typical Haynes manual covers general information troubleshooting lubrication and

routine maintenance engine top end engine lower end primary drive clutch and external shift mechanism transmission and internal shift mechanism engine management system electrical system wheels tires and drivebelt front suspension and steering rear suspension brakes body and color wiring diagrams An index makes the manual easy to navigate **Midget, Sprite Owners Workshop Manual** John Harold Haynes,1977

[applied mathematics all books by kumbhojkar faadooengineers](#) - Feb 10 2023

web nov 5 2018 read reviews or buy engineering mathematics iii by prof g v kumbhojkar online it is suggested as textbook for studying the subject applied mathematics 3 in

[maths 3 gv kumbhojkar engineering mathematics](#) - Apr 12 2023

web apr 11 2013 results 1 to 3 of 3 thread applied mathematics all books by kumbhojkar popular topic for study determination of equivalent dynamical system of

ck extc sem 4 blogger - Jun 14 2023

web engineering mathematics iv g v kumbhojkar easy solutions microcontrollers applications tech knowledge easy solutions bharat acharya m a mazidi linear

problems and solutions in engineering mathematics volume i - Jan 29 2022

engineering mathematics quiz sanfoundry - Nov 26 2021

engineering mathematics kumbhojkar solution - Feb 27 2022

web jan 1 2019 companion to engineering maths mu semester i paperback 1 january 2019 by g v kumbhojkar author 4 5 2 ratings see all formats and editions paperback

[buy engineering mathematics iv g v kumbhojkar 2021 s e iv](#) - Jun 02 2022

web engineering mathematics exercise questions 1 i have uploaded solution manual for the help of students mathematics assignment worksheet numerical methods kreyszig

engineering mathematics iii by prof g v kumbhojkar - Sep 05 2022

web engineering mathematics 1 by g v kumbhojkar mu 630 00 add to cart categories engineering degree first year mumbai university semester 1 additional

companion to engineering maths mu semester i g v - Sep 24 2021

[iii by g v kumbhojkar book free download civildatas](#) - Oct 06 2022

web higher mathematics for physics and engineering solution manual to engineering mathematics strength of materials shallow foundations applied mathematics 1

maths 3 gv kumbhojkar applied mathematics iii studocu - Jul 15 2023

web mathematics digest for tutorial practice related to engineering mathe applied mathematics iii mum chemeng 006 exam soln complex updatedmay 2017

engineering mathematics kumbhojkar solution - Jul 03 2022

web buy engineering mathematics volume 1 pdf online by dr t c gupta get engineering mathematics volume 1 book pdf free sample from laxmi publications and get upto

maths 3 gv kumbhojkar pdf pdf scribd - Nov 07 2022

web jan 1 2021 engineering mathematics iv g v kumbhojkar 2021 s e iv mechanical civil automobile production and mechatronics engineering paperback 1 january

pdf applied mathematics iii by g v kumbhojkar - May 13 2023

web view g v kumbhojkar applied mathematics for engineering sem 1 pdf from aa 1scanned by camscanner scanned by camscanner scanned by camscanner

exercises for engineering mathematics for engineering s - Dec 28 2021

engineering mathematics for semesters iii and iv - Jan 09 2023

web engineering mathematics i by kumbhojkar 3 rd edition book is base on as per the latest syllabus of mumbai university for engineering degree published by jamnadas co for

engineering mathematics i by kumbhojkar first year sem i - Aug 04 2022

web mathematics courses to engineering students at the indian institute of technology new delhi it covers syllabi of two core courses in mathematics for engineering students

g v kumbhojkar applied mathematics for engineering sem 1 pdf - Mar 11 2023

web kindly note for security purpose spam protections you need to verify the below captcha to download your file

engineering mathematics kumbhojkar ci kubesail com - May 01 2022

web this set of engineering mathematics quiz focuses on taylor mclaurin series 4 1 the expansion of f x about x a is variables separation 1d heat equation solution

applied mathematics iii by g v kumbhojkar by - Aug 16 2023

web applied mathematics iii by g v kumbhojkar by easyengineering net pdf google drive

engineering mathematics 3 by kumbhojkar computer - Oct 26 2021

engineering mathematics 1 by g v kumbhojkar mu - Mar 31 2022

web engineering mathematics 3 by kumbhojkar book is base on as per the latest syllabus of mumbai university for engineering degree published by jamnadas co for second year

[pdf maths 3 gv kumbhojkar divyesh bansal](#) - Dec 08 2022

web the engineering mathematics kumbhojkar solution is universally compatible in the manner of any devices to read engineering mathematics ii c b gupta 2008 fourier

[when do you need a child travel consent form](#) - Apr 15 2022

web apr 24 2022 a letter of permission to travel or a child travel consent form is vital whenever you are traveling with someone else s child or teenager ed perkins april 24 2022 years ago while we were guardians of her niece my wife and i found that traveling with two kids is easier than traveling with one whether cousins or friends two kids

[travel consent form sample template word pdf](#) - Aug 20 2022

web aug 29 2023 this document is a consent form which can be used to obtain consent from a parent or guardian in order to signify their agreement for their child children to travel the consent form is suitable for use where the child or

permission to travel with minors letter my family travels - May 17 2022

web permission to travel with minors letter i we and

international travel documents for children usagov - May 29 2023

web oct 31 2023 the letter should say i acknowledge that my son daughter is traveling outside the country with the name of the adult with my permission if one parent has sole custody of the child a copy of the custody document can take the

[writing a child travel consent letter samples word](#) - Nov 22 2022

web a child travel consent letter is defined as a legal document written by the parent or legal guardian granting permission to another party individual group or entity to travel with their child it is used for both domestic and international flights

letter of consent for travel of a minor child - Jun 29 2023

web letter of consent for travel of a minor child in certain cases it may be suggested that you provide some form of letter of consent if your child is traveling internationally with only one parent or with another adult

[learn more about travel permission and travel consent letters for kids](#) - Dec 24 2022

web family court judge reviews travel documents and travel consent letters adults traveling outside the u s with children under 18 other than their own must have a permission or minor travel consent letter from both of the minors guardians the travel consent letter also covers a child traveling internationally with only one birth parent

consent letter for minors travelling abroad europa eu - Jan 25 2023

web the aforementioned minor has my our consent to travel with family name first name s date and place of birth number of

travel document country and city were the travel document was issued issuing authority of travel document validation date of the travel document nationality relationship to minor

free minor child travel consent form pdf word eforms - Oct 22 2022

web updated september 23 2023 a child travel consent form allows a minor to travel alone or with another person or group it is written by one or both parents and can be used for domestic or international travel

letter of consent to travel with one parent docformats com - Jul 19 2022

web a child travel consent letter is a written authorization allowing a minor to travel without both parents or legal guardians it includes essential information such as travel dates destinations and emergency contacts craft a clear and concise consent letter with the help of this free template ensuring a smooth journey for the child

recommended consent letter for children travelling abroad faq - Feb 23 2023

web a consent letter demonstrates that children who travel alone with only one parent guardian friends relatives or a group e g sports school musical religious have permission to travel abroad from every parent or guardian who

travel consent letter sample template word and pdf - Apr 27 2023

web jul 31 2023 1 choose this template start by clicking on fill out the template 2 complete the document answer a few questions and your document is created automatically 3 save print your document is ready you will receive it in word and pdf formats you will be able to modify it travel consent letter

travel consent letter sample template word and pdf - Feb 11 2022

web may 8 2023 a travel consent letter is a document that permits a child to travel alone without their parents or legal guardians or travel with an adult who is neither their parent nor legal guardian it can also be used by separated couples where their children will be travelling with only one parent

recommended consent letter for children travelling abroad travel - Sep 01 2023

web a sample letter and interactive form are available to guide you in writing a consent letter sample consent letter interactive form for writing a consent letter you can change the letter to fit your specific situation but you should try to include as much detail as possible

consent letter for travel as a solo parent travelling with kids - Oct 02 2023

web sep 22 2023 a consent letter is a letter giving permission for children to travel abroad without both parents present whether the child is travelling with only parent alone or with another adult the letter states that all parents have given permission for that child to

free child minor travel consent form pdf word legal - Sep 20 2022

web jul 25 2023 step 1 provide basic child information the first step in writing a child travel consent form is including

information about the child you should write down the child's name date of birth and the address where they were born in addition to these details you should also provide a copy of the child's birth certificate

45 printable child travel consent forms word pdf - Jun 17 2022

web writing a letter of permission for your child to travel is different from writing a child travel consent form this letter might be needed to send your child on an international trip with a school or with someone of authority that will already have

recommended consent letter for children travelling abroad - Jul 31 2023

web recommended consent letter for children travelling abroad the following sample consent letter provided by global affairs canada can be modified to meet your specific needs for instructions and an interactive form you can use to create a customized letter visit travel.gc.ca letter to whom it may concern

get permission to take a child abroad gov.uk - Mar 27 2023

web get permission from someone with parental responsibility a letter from the person with parental responsibility for the child is usually enough to show you've got permission to take them abroad

children and travel travel.gc.ca - Mar 15 2022

web recommended consent letter for children travelling abroad a consent letter will facilitate entry into a foreign country and re entry into canada for children travelling without both parents

eĞİTİMİN tanıtımı İstanbul - Dec 07 2022

web 2 cas cognitive assessment system sertifika eğitimi için 2 200 00 tl 8 kdv 2 376 00 tl ad soyad tc kimlik numarası ve açıklama kısmına cas sertifika eğitimi yazılarak merkezimizin halk bankası beyazıt Şubesinde tr87 0001 2009 8200 0006 2004 04 nolu iban numaramız yatırılacaktır

[nbpts assessment center retired prompts whm frontlinepolicy](#) - Sep 04 2022

web nbpts assessment center retired prompts is simple in our digital library an online entrance to it is set as public appropriately you can download it instantly our digital library saves in combined countries allowing you to acquire the most less latency times to download any of our books behind this one merely said the nbpts assessment

component 1 content knowledge assessment center policy - Jul 14 2023

web response items that make up your assessment center exam the following table provides an overview of the assessment center process and the location of information to complete each step step by step overview of the assessment center process page 1 receiving approval to test 3 2 planning ahead to secure the date 5 3 changing your

nbpts assessment center retired prompts pdf uniport.edu - Apr 11 2023

web apr 4 2023 merely said the nbpts assessment center retired prompts is universally compatible once any devices to read secrets of the national board certification generalist early childhood exam study guide national board certification test review

for the nbpts national board certification exam secret 2018 04 12 all

nbpts assessment center retired prompts help discoveram - Nov 06 2022

web plainly put the nbpts assessment center retired prompts is internationally congruent with any devices to browse if you collaborator tradition such a referred nbpts assessment center retired prompts books that will find the money for you worth receive the unquestionably best seller from us presently from several

renal transplantation in pediatric recipients considerations and - Oct 05 2022

web renal transplantation in pediatric recipients considerations and preoperative assessment strategies atıf İin kopyala bańuelos marco b donmez i geppert t

assessment center exercises 2009 pdf software testing - May 12 2023

web both the exercise descriptions and the retired prompts and scoring guide for your certificate area are available at nbpts org nbpts org preparing for the aces the pearson vue web site offers the following resources to help you become familiar with the administration of the aces

nbpts assessment center retired prompts pdf free - Mar 10 2023

web title nbpts assessment center retired prompts pdf free snapshot segmetrics io created date 9 2 2023 3 40 07 am

retired prompts practice writing for the assessment center - Aug 15 2023

web national board is in the process of changing although the assessments may change i doubt how you would study for them would change my suggestion for those going through the process would be to time yourself writing about art here are some retired prompts taken from the nbpts website their website is changing so i am not able to give you

kurum İi deęerlendirici yetiřtirme programı assessment - Apr 30 2022

web zorlu center teras evler r1 blok no 111 beřiktař İstanbul 90212 269 92 10 info assessment com tr hakkımızda

hakkımızda ekibimiz basında biz e assessment yetkinlik envanterleri kiřilik envanterleri 360 envanterler yetenek bilgi testleri durumsal yargı testleri

nbpts assessment center retired prompts 2022 logb fonedog - Aug 03 2022

web nbpts assessment center retired prompts is affable in our digital library an online access to it is set as public therefore you can download it instantly our digital library saves in multipart countries allowing you to get the most less latency epoch to download any of our books gone this one

ptt 2022 personel alımlarında son dakika gelişmesi başvuru - Jun 01 2022

web jul 30 2022 ptt 2022 personel alımlarında son dakika gelişmesi başvuru şartları ve yeri belli oldu tolgahan sarıktaş 30 temmuz 2022 son güncelleme 30 temmuz 2022 vatandaşlar 2022 yılbaşından bu yana bu yıl yapılacak alan ptt personel alımları için heyecanla bekliyordu gelen açıklamalarda ptt nin bu yıl büyük ölçüde ve çok

nbpts assessment center retired prompts 2022 spyder adecco - Jul 02 2022

web nbpts assessment center retired prompts 1 nbpts assessment center retired prompts thank you for reading nbpts assessment center retired prompts as you may know people have search numerous times for their favorite novels like this nbpts assessment center retired prompts but end up in malicious downloads rather than

nbpts assessment center retired prompts download only - Jan 08 2023

web the police assessment center jun 23 2023 in the police assessment center important keys for success a retired police captain provides practical tips and important concepts so candidates up for promotion can receive better scores on their assessments barry malkin has personally conducted over seventy assessment center feedback

nbpts assessment center retired prompts pdf uniport edu - Jun 13 2023

web mar 18 2023 nbpts assessment center retired prompts is available in our book collection an online access to it is set as public so you can get it instantly our book servers saves in multiple locations allowing you to get the most less

nbptsassessmentcenterretiredprompts old moncheribridals - Mar 30 2022

web professional teaching standards nbpts is to establish high and rigorous standards for what teachers should know and be able to do to certify teachers who meet those standards and to advance other education reforms for the purpose of improving student learning in american schools in response to a request from the u s congress the

ptt personel alımı ne zaman tarih belli oldu mu hürriyet - Dec 27 2021

web aug 3 2022 ptt personel alımı başvuru tarihi henüz açıklanmadı tarihler belli olduğunda haberimizde detaylara yer vereceğiz a 29 5 2009 tarihli ve 5901 sayılı türk vatandaşlığı kanununun

nbpts exam 2022 practice test questions national board - Feb 09 2023

web nbpts exam 2022 practice test questions national board certification exam quiz practice free online nbpts sample mock test quiz download national board certification exam solved model exam pdf papers with previous years questions and answers

nbptsassessmentcenterretiredprompts dev sfcg - Feb 26 2022

web professional teaching standards nbpts is to establish high and rigorous standards for what teachers should know and be able to do to certify teachers who meet those standards and to advance other education reforms for the purpose of improving student learning in american schools in response to a request from the u s congress the

İstanbul prompt yöntemi uygulayan doktorlar uzmanlar - Jan 28 2022

web İstanbul bölgesinde prompt yöntemi uygulayan doktorların uzmanların listesidir doktorları uzmanları ve yorumları inceleyebilir dilersemeniz randevu alabilirsiniz

This is likewise one of the factors by obtaining the soft documents of this **Gx160 Hayns Manual** by online. You might not require more time to spend to go to the books creation as well as search for them. In some cases, you likewise attain not discover the revelation Gx160 Hayns Manual that you are looking for. It will completely squander the time.

However below, with you visit this web page, it will be hence unquestionably easy to acquire as well as download lead Gx160 Hayns Manual

It will not tolerate many era as we explain before. You can do it while sham something else at house and even in your workplace. fittingly easy! So, are you question? Just exercise just what we have enough money below as with ease as evaluation **Gx160 Hayns Manual** what you afterward to read!

https://offsite.creighton.edu/files/virtual-library/Documents/meditations_marcus_aurelius_translations.pdf

https://offsite.creighton.edu/files/virtual-library/Documents/medical_assistant_terminology_study_guide.pdf

https://offsite.creighton.edu/files/virtual-library/Documents/mchenry_county_fair_schedule.pdf

Table of Contents Gx160 Hayns Manual

1. Understanding the eBook Gx160 Hayns Manual
 - The Rise of Digital Reading Gx160 Hayns Manual
 - Advantages of eBooks Over Traditional Books
2. Identifying Gx160 Hayns Manual
 - Exploring Different Genres
 - Considering Fiction vs. Non-Fiction
 - Determining Your Reading Goals

3. Choosing the Right eBook Platform
 - Popular eBook Platforms
 - Features to Look for in an Gx160 Hayns Manual
 - User-Friendly Interface
4. Exploring eBook Recommendations from Gx160 Hayns Manual
 - Personalized Recommendations
 - Gx160 Hayns Manual User Reviews and Ratings
 - Gx160 Hayns Manual and Bestseller Lists
5. Accessing Gx160 Hayns Manual Free and Paid eBooks
 - Gx160 Hayns Manual Public Domain eBooks
 - Gx160 Hayns Manual eBook Subscription Services
 - Gx160 Hayns Manual Budget-Friendly Options
6. Navigating Gx160 Hayns Manual eBook Formats
 - ePub, PDF, MOBI, and More
 - Gx160 Hayns Manual Compatibility with Devices
 - Gx160 Hayns Manual Enhanced eBook Features
7. Enhancing Your Reading Experience
 - Adjustable Fonts and Text Sizes of Gx160 Hayns Manual
 - Highlighting and Note-Taking Gx160 Hayns Manual
 - Interactive Elements Gx160 Hayns Manual
8. Staying Engaged with Gx160 Hayns Manual
 - Joining Online Reading Communities
 - Participating in Virtual Book Clubs
 - Following Authors and Publishers Gx160 Hayns Manual
9. Balancing eBooks and Physical Books Gx160 Hayns Manual
 - Benefits of a Digital Library
 - Creating a Diverse Reading Collection Gx160 Hayns Manual
10. Overcoming Reading Challenges
 - Dealing with Digital Eye Strain
 - Minimizing Distractions

- Managing Screen Time
- 11. Cultivating a Reading Routine Gx160 Hayns Manual
 - Setting Reading Goals Gx160 Hayns Manual
 - Carving Out Dedicated Reading Time
- 12. Sourcing Reliable Information of Gx160 Hayns Manual
 - Fact-Checking eBook Content of Gx160 Hayns Manual
 - Distinguishing Credible Sources
- 13. Promoting Lifelong Learning
 - Utilizing eBooks for Skill Development
 - Exploring Educational eBooks
- 14. Embracing eBook Trends
 - Integration of Multimedia Elements
 - Interactive and Gamified eBooks

Gx160 Hayns Manual Introduction

In the digital age, access to information has become easier than ever before. The ability to download Gx160 Hayns Manual has revolutionized the way we consume written content. Whether you are a student looking for course material, an avid reader searching for your next favorite book, or a professional seeking research papers, the option to download Gx160 Hayns Manual has opened up a world of possibilities. Downloading Gx160 Hayns Manual provides numerous advantages over physical copies of books and documents. Firstly, it is incredibly convenient. Gone are the days of carrying around heavy textbooks or bulky folders filled with papers. With the click of a button, you can gain immediate access to valuable resources on any device. This convenience allows for efficient studying, researching, and reading on the go. Moreover, the cost-effective nature of downloading Gx160 Hayns Manual has democratized knowledge. Traditional books and academic journals can be expensive, making it difficult for individuals with limited financial resources to access information. By offering free PDF downloads, publishers and authors are enabling a wider audience to benefit from their work. This inclusivity promotes equal opportunities for learning and personal growth. There are numerous websites and platforms where individuals can download Gx160 Hayns Manual. These websites range from academic databases offering research papers and journals to online libraries with an expansive collection of books from various genres. Many authors and publishers also upload their work to specific websites, granting readers access to their content without any charge. These platforms not only provide access to existing literature but also serve as an excellent platform for undiscovered authors to share their work with the

world. However, it is essential to be cautious while downloading Gx160 Hayns Manual. Some websites may offer pirated or illegally obtained copies of copyrighted material. Engaging in such activities not only violates copyright laws but also undermines the efforts of authors, publishers, and researchers. To ensure ethical downloading, it is advisable to utilize reputable websites that prioritize the legal distribution of content. When downloading Gx160 Hayns Manual, users should also consider the potential security risks associated with online platforms. Malicious actors may exploit vulnerabilities in unprotected websites to distribute malware or steal personal information. To protect themselves, individuals should ensure their devices have reliable antivirus software installed and validate the legitimacy of the websites they are downloading from. In conclusion, the ability to download Gx160 Hayns Manual has transformed the way we access information. With the convenience, cost-effectiveness, and accessibility it offers, free PDF downloads have become a popular choice for students, researchers, and book lovers worldwide. However, it is crucial to engage in ethical downloading practices and prioritize personal security when utilizing online platforms. By doing so, individuals can make the most of the vast array of free PDF resources available and embark on a journey of continuous learning and intellectual growth.

FAQs About Gx160 Hayns Manual Books

What is a Gx160 Hayns Manual PDF? A PDF (Portable Document Format) is a file format developed by Adobe that preserves the layout and formatting of a document, regardless of the software, hardware, or operating system used to view or print it. **How do I create a Gx160 Hayns Manual PDF?** There are several ways to create a PDF: Use software like Adobe Acrobat, Microsoft Word, or Google Docs, which often have built-in PDF creation tools. Print to PDF: Many applications and operating systems have a "Print to PDF" option that allows you to save a document as a PDF file instead of printing it on paper. Online converters: There are various online tools that can convert different file types to PDF. **How do I edit a Gx160 Hayns Manual PDF?** Editing a PDF can be done with software like Adobe Acrobat, which allows direct editing of text, images, and other elements within the PDF. Some free tools, like PDFescape or Smallpdf, also offer basic editing capabilities. **How do I convert a Gx160 Hayns Manual PDF to another file format?** There are multiple ways to convert a PDF to another format: Use online converters like Smallpdf, Zamzar, or Adobe Acrobats export feature to convert PDFs to formats like Word, Excel, JPEG, etc. Software like Adobe Acrobat, Microsoft Word, or other PDF editors may have options to export or save PDFs in different formats. **How do I password-protect a Gx160 Hayns Manual PDF?** Most PDF editing software allows you to add password protection. In Adobe Acrobat, for instance, you can go to "File" -> "Properties" -> "Security" to set a password to restrict access or editing capabilities. Are there any free alternatives to Adobe Acrobat for working with PDFs? Yes, there are many free alternatives for working with PDFs, such as: LibreOffice: Offers PDF editing

features. PDFsam: Allows splitting, merging, and editing PDFs. Foxit Reader: Provides basic PDF viewing and editing capabilities. How do I compress a PDF file? You can use online tools like Smallpdf, ILovePDF, or desktop software like Adobe Acrobat to compress PDF files without significant quality loss. Compression reduces the file size, making it easier to share and download. Can I fill out forms in a PDF file? Yes, most PDF viewers/editors like Adobe Acrobat, Preview (on Mac), or various online tools allow you to fill out forms in PDF files by selecting text fields and entering information. Are there any restrictions when working with PDFs? Some PDFs might have restrictions set by their creator, such as password protection, editing restrictions, or print restrictions. Breaking these restrictions might require specific software or tools, which may or may not be legal depending on the circumstances and local laws.

Find Gx160 Hayns Manual :

meditations marcus aurelius translations

[medical assistant terminology study guide](#)

[mchenry county fair schedule](#)

mccurnin's clinical textbook pdf

[mcgraw-hill english textbooks](#)

medicinal uses of bee venom

mega-man 12 robot masters

[mee attack outlines](#)

math practice puzzles fractions and decimals answer key

mega man break man

max's bedroom stranger things

[may those that love us blessing](#)

math books for fifth graders

[medication administration practice test](#)

[meeting cancellation email example](#)

Gx160 Hayns Manual :