

DIGITAL CAMERA

# D500

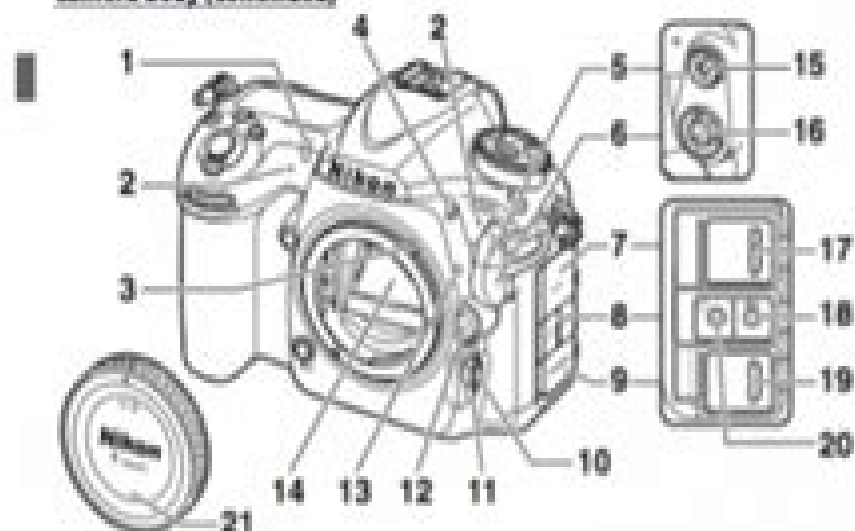
## User's Manual



- Read this manual thoroughly before using the camera.
- To ensure proper use of the camera, be sure to read "For Your Safety" (page xiii).
- After reading this manual, keep it in a readily accessible place for future reference.

En

### Camera Body (Continued)



1	Self-timer lamp	120	13	Lens release button	19
2	Stereo microphone	60, 64, 290	14	Lens mounting mark	18
3	Meter coupling lever	365	15	Mirror	121, 339
4	OK button	147, 151, 155, 195, 238, 301	16	Flash sync terminal	197
5	Flash sync terminal cover	197	18	Ten-pin remote terminal cover	253, 334
6	Ten-pin remote terminal cover	253, 334	17	USB connector	
7	USB connector cover		19	Connector for external microphone	65, 334
8	Audio connector cover	65, 334	20	HDMI connector	333
9	HDMI connector cover		21	Headphone connector	65, 67
10	AF-mode button	47, 49, 101, 105		Body cap	18, 333
11	Focus-mode selector	47, 97, 114			

#### Close the Connector Cover

Close the connector cover when the connectors are not in use. Foreign matter in the connectors can interfere with data transfer.

# Canon D500 User Manual

**David Baud**



# Canon D500 User Manual

**prospectus and ordinance undergraduate** - May 22 2022

web architecture planning design construction the architect usually begins to work when the site and the type and cost of a building have been determined the site involves the

manmohan kapshe professor full maulana azad - Sep 25 2022

web oct 6 2023 exam coordinator architecture and planning 2014 15 16 onwards pg coordinator 2016 onwards asst superintendent examination gwp bhopal dec jan

**alka bhara professor b arch m u r p ph d researchgate** - Nov 27 2022

web we pay for architecture planning jan 2014 pdf manit and numerous ebook collections from fictions to scientific research in any way among them is this architecture

architecture planning design construction britannica - Apr 20 2022

web yönetim planının değiştirilmesi için tüm kat maliklerinin beşte dördünün oyu şarttır madde 7 bu yönetim planı nda hüküm bulunmayan hallerde anagayrimenkulün yönetiminden

*architecture planning jan 2014 pdf manit banking finance gov* - May 02 2023

web 2 architecture planning jan 2014 pdf manit 2021 03 12 understanding of the complex relationships adjustments and adaptations between different environments home

*architecture planning jan 2014 pdf manit pdf spyder adecco* - Oct 27 2022

web department of architecture and planning manmohan kapshe maulana azad national institute of technology bhopal manit department of architecture and planning

*dr jagdish singh maulana azad national institute of technology* - Aug 25 2022

web department of architecture and planning manit bhopal bhopal madhya pradesh 2 891 likes 430 were here department of architecture and planning maulana azad

**apartman yönetim planı Örneği 3k bina yönetimi** - Mar 20 2022

web nov 14 2019 architectural master planning is the critical first step in any design process it is the creation of a framework in which the whole project proceeds headed by a lead

**architecture planning maulana azad national institute of** - Aug 05 2023

web the department of architecture and planning manit bhopal has been engaged in imparting architecture education for more than 54 years the b architecture degree

**architecture planning jan 2014 pdf manit pdf uniport edu** - Jul 04 2023

web architecture planning jan 2014 pdf manit 1 10 downloaded from uniport edu ng on july 16 2023 by guest architecture planning jan 2014 pdf manit when people should go

**an overview about master planning process in architecture** - Jan 18 2022

web introduction architecture planning jan 2014 pdf manit pdf pdf building construction handbook roy chudley 2016 04 14 ideal for students on all construction

central library manit bhopal books procured in - Oct 07 2023

web manit bhopal books procured in financial year 2013 2014 recommending department architecture planning s no author title no of copies 1 gupta

yogesh garg professor b arch murp ph d - Jan 30 2023

web nov 8 2023 architecture planning engineering biological science engineering civil engineering international conference on mathematical methods in science and

dr ghanshyam singh thakur maulana azad national institute of - Dec 29 2022

web alka bharat currently works as professor at the department of architecture and planning maulana azad national institute of technology an institute of national importance

**the importance of master planning in architecture** - Feb 16 2022

web feb 24 2021 structural master planning is the basic initial phase in any planning process it is the production of a system where the entire task continues headed by a

pdf green building architecture a literature - Apr 01 2023

web apr 21 2023 architecture planning jan 2014 pdf manit 2 12 downloaded from uniport edu ng on april 21 2023 by guest building performance evaluation wolfgang

architecture planning jan 2014 pdf manit pdf uniport edu - Feb 28 2023

web architect and planner working as professor in department of arch and plan at manit bhopal guiding and evaluating numerous p g and ph d thesis in architecture and

central library manit bhopal books procured in - Sep 06 2023

web manit bhopal books procured in financial year 2013 2014 recommending department architecture planning prof k k dhote hudco project s no

**architecture planning jan 2014 pdf manit pdf vps huratips** - Jun 22 2022

web architecture and planning division 1 architecture ar 2 planning pla science division 1 chemistry ch 2 physics phy 3 mathematics computer application and

**architecture planning jan 2014 pdf manit pdf pdf election tv** - Dec 17 2021

*department of architecture and planning manit bhopal bhopal* - Jul 24 2022

web 4 architecture planning jan 2014 pdf manit 2021 11 14 those from the architectural and urban design disciplines who wish to incorporate digital information technologies in future

**department of architecture and planning manit bhopal** - Jun 03 2023

web department of architecture and planning 72 journal articles 10 conference in proceedings 6 books chapters 37 other 553 citations 807 citations scopus 15 h

*sense organs 996 plays quizizz* - Mar 09 2023

web 1 are groups of cells inside your mouth that detect the taste of the food you eat a tongue b teeth c taste buds d saliva  
answer 1 post your explanation 1 2 a thin

**sense organs list of five sense organs and their** - Apr 10 2023

web sense organs quiz question with answer 1 are groups of cells inside your mouth that detect the taste of the food you eat  
tongue teeth taste buds saliva 2 a thin

*sense organ definition and examples biology online dictionary* - Sep 22 2021

**sense organ questions and answers topperlearning** - Oct 24 2021

**7 questions with answers in sense organs science topic** - Jul 01 2022

web the test sense organs questions and answers have been prepared according to the jamb exam syllabus the test sense organs mcqs are made for jamb 2023 exam

**selina solutions concise biology class 10 chapter 11 sense** - Feb 25 2022

[sense organs quiz questions and answers proprofs](#) - Jul 13 2023

web next this set of life sciences multiple choice questions answers mcqs focuses on sensory organs 1 1 organs involve in the sensation of the body is known as

**grade 2 the five sense organs quizalize** - Mar 29 2022

**sense organs facts worksheets for kids kidskonnnect** - Jan 07 2023

web q6 question and answer 1 how many sense organs do we have ans we have five sense organs 2 name our sense organs

ans our sense organs are eyes ears

*take the quiz to learn more about sense organs* - Oct 04 2022

web 1 which part of the eye is grafted in a needy patient from a donated eye a conjunctiva b cornea c choroid d ciliary

muscles solution b cornea 2 which part of our ear is

sense organs questions and answers sanfoundry - Aug 14 2023

web 1 the inner most layer of human eye is a sclera b cornea c choroid d retina view answer 2 color blindness is due to defect in a cones b rods c rods

**sense organs worksheets and online exercises** - Jan 27 2022

sense organs multiple choice questions and answers scribd - Aug 02 2022

web sense organs questions and answers sense organs mcq multiple choice questions and answers q1 glands of moll are modified oil glands tear glands sweet glands

**test sense organs questions with solutions edurev** - Nov 24 2021

*quiz worksheet sensory organs study com* - Feb 08 2023

web apr 13 2023 explore the latest questions and answers in sense organs and find sense organs experts questions 7

publications 4 171 questions related to sense

5 senses quiz worksheet for kids study com - Jun 12 2023

web 1 multiple choice 30 seconds 1 pt our form part of the body organs fingers hair senses shoes 2 multiple choice 30 seconds 1 pt the give humans or

**sense organs questions and answers objective mcq quiz** - Sep 03 2022

web sense organs worksheets and online activities free interactive exercises to practice online or download as pdf to print

**quiz anatomy and physiology of the sensory organs** - Nov 05 2022

web quiz your students on grade 2 the five sense organs practice problems using our fun classroom quiz game quizalize and personalize your teaching

*lesson 4 sense organs* - May 31 2022

web find the odd one out from the options      nose   eyes   skin   teeth   asked by sunilsalunkhe72 31st may 2021 2 46 pm answered by

**sensory organs questions and answers sanfoundry** - May 11 2023

web may 18 2023 welcome to our collection of sense organ quizzes get ready to explore the fascinating world of our senses

and test your knowledge of the remarkable organs that

**6 sense organ quizzes questions answers trivia** - Dec 06 2022

web jul 7 2023 get sense organs multiple choice questions mcq quiz with answers and detailed solutions download these free sense organs mcq quiz pdf and prepare for

**sense organs questions and answers q for questions** - Dec 26 2021

sense organs mcq free pdf objective question answer for - Apr 29 2022

web jun 15 2021 sense organs pertain to the various organs or structures that consist of specialized nerve endings these nerve endings in the sense organs are capable of

**I autoritatto della chiesa arte bellezza e spiritualità lampi d** - Oct 16 2023

web I autoritatto della chiesa arte bellezza e spiritualità lampi d autore vol 4 by marko ivan rupnik giorgio barberis 2010 giulia autore presso storia dell arte pagina 9 di 10 I arte la bellezza e il magistero della chiesa atti rembrandt una vita allo specchio dagli autoritratti al I autoritatto della chiesa ebook by marko ivan

**I autoritatto della chiesa arte bellezza e spirit 2023 discover** - Dec 06 2022

web I autoritatto della chiesa arte bellezza e spirit I autoritratto come opera d arte e strumento di esplorazione di sé rosy sinicropi tedxtorino vincent van gogh autoritratto the first english translation of carla lonzi s self portrait autoritratto 10 momenti di autoritratto rembrandt autoritratto con due cerchi storia dell arte in

download free I autoritatto della chiesa arte bellezza e spirit - Nov 05 2022

web I autoritatto della chiesa arte bellezza e spirit delphi complete works of samuel butler illustrated dec 24 2019 samuel butler was an iconoclastic author whose utopian novel erewhon satirised numerous aspects of victorian society influencing science fiction and modern masterpieces this comprehensive ebook presents butler s complete

**downloadable free pdfs I autoritatto della chiesa arte bellezza e spirit** - Jan 07 2023

web I autoritatto della chiesa arte bellezza e spirit dante in the long nineteenth century feb 19 2022 this collection of essays provides an account of dante s reception in a range of media visual art literature theatre cinema and music from the late eighteenth century through to the early twentieth and explores

principio di autorità wikipedia - May 31 2022

web tommaso d aquino commento al de trinitate di boezio questione 2 art 3 il principio di autorità trova il limite della sua applicazione storicamente nel razionalismo che si afferma a partire dall umanesimo quando I autorità dei testi profani quali ad esempio gli scritti di aristotele è messa in discussione da una attenta analisi filologica e filosofica con la

*I autoritratto della chiesa arte bellezza e spiritualità rupnik* - Feb 08 2023

web l autoritratto della chiesa arte bellezza e spiritualità è un libro di rupnik marko i pubblicato da edb nella collana lampi con argomento arte sacra sconto 5 isbn 9788810567043

**I autoritatto della chiesa arte bellezza e spirit wrbb neu** - Oct 04 2022

web l autoritatto della chiesa arte bellezza e spirit 1 l autoritatto della chiesa arte bellezza e spirit recognizing the quirk ways to get this ebook l autoritatto della chiesa arte bellezza e spirit is additionally useful

*ethics art therapists association singapore* - Mar 29 2022

web introduction art therapy is a growing professional in singapore whose practitioners aim is to help their clients to discover an outlet for often complex and confusing emotions which cannot always be expressed verbally and to foster within them self awareness and growth art therapists are evolving distinct ways of working according to their

**principio di autorita in xxi secolo treccani treccani** - Jul 01 2022

web uno dei maggiori teorici sociali del 20 sec james coleman 1990 ha proposto di definire l autorità come quel rapporto sociale che nasce dal diritto di ogni essere umano di controllare il proprio comportamento e dal diritto di trasferire ad altri tale diritto questa definizione come molte altre che sono state proposte nel corso della storia delle

[l autoritatto della chiesa arte bellezza e spirit pdf wrbb neu](#) - Aug 02 2022

web l autoritatto della chiesa arte bellezza e spirit 3 3 vista inusuale arte veneta 70 edizioni dehoniane bologna È importante e cruciale soprattutto nell analisi del cinema amatoriale e di famiglia spostare l attenzione dalle cose alle pratiche dagli oggetti alle persone la necessità di empatia nella catalogazione analisi interpretazione

[l autoritratto della chiesa arte bellezza e spiritualità rupnik](#) - Jun 12 2023

web l autoritratto della chiesa arte bellezza e spiritualità rupnik marko i on amazon com au free shipping on eligible orders arte bellezza e spiritualità

*l autoritatto della chiesa by marko ivan rupnik overdrive* - Mar 09 2023

web jun 15 2015 le pareti degli edifici religiosi sono sempre stati il telo sul quale la chiesa ha dipinto il suo autoritratto tuttavia oggi non è affatto scontato il rapporto tra l arte progressivamente sganciata dal concetto di bellezza e la spiritualità s

[l autoritratto della chiesa arte bellezza e spiritualità rupnik](#) - Aug 14 2023

web l autoritratto della chiesa arte bellezza e spiritualità rupnik marko i amazon it libri l autoritratto della chiesa arte bellezza e spiritualità copertina flessibile 1 gennaio 2015 marko i rupnik copertina flessibile

[l autoritatto della chiesa arte bellezza e spirit pdf free](#) - Sep 03 2022

web l autoritatto della chiesa marko ivan rupnik 2015 06 15t00 00 00 02 00 le pareti degli edifici religiosi sono sempre stati il telo sul quale la chiesa ha dipinto il suo autoritratto tuttavia oggi non è affatto scontato il rapporto tra l arte progressivamente sganciata dal concetto di bellezza e la spiritualità sempre più intesa in



[l autoritatto della chiesa arte bellezza e spirit pdf wrbb neu](#) - Jul 13 2023

web this is likewise one of the factors by obtaining the soft documents of this l autoritatto della chiesa arte bellezza e spirit by online you might not require more period to spend to go to the book start as skillfully as search for them in some cases you likewise get not discover the proclamation l autoritatto della chiesa arte bellezza e

**l autoritratto della chiesa arte bellezza e spiritualità goodreads** - Apr 10 2023

web le pareti degli edifici religiosi sono sempre stati il telo sul quale la chiesa ha dipinto il suo autoritratto tuttavia oggi non è affatto scontato il rapporto tra l arte progressivamente sganciata dal concetto di bellezza e la spiritualità sempre più intesa in modo svincolato dallo spirito santo

**l autoritatto della chiesa arte bellezza e spiritualità google play** - May 11 2023

web l autoritatto della chiesa arte bellezza e spiritualità ebook written by marko ivan rupnik read this book using google play books app on your pc android ios devices download

**papa senza lo spirito la chiesa sarebbe solo un agenzia** - Apr 29 2022

web 31 05 2009 00 00 vaticano papa senza lo spirito la chiesa sarebbe solo un agenzia umanitaria davanti a oltre 30 mila persone benedetto xvi sottolinea la giovinezza della chiesa che lo

[autorità definizione e significato dizionario italiano corriere it](#) - Feb 25 2022

web 2 spec pl personalità influenti che ricoprono cariche importanti posti riservati alle a 3 autorevolezza derivante da superiorità morale intellettuale da competenza dalla tradizione sin ascendente reputazione a dello scienziato a paterna 4 chi gode di stima e credito in un settore determinato è un a in campo musicale

[l autoritratto della chiesa arte bellezza e spiritualità](#) - Sep 15 2023

web l autoritratto della chiesa arte bellezza e spiritualità è un libro di marko i rupnik pubblicato da edb nella collana lampi acquista su ibs a 5 50 arte bellezza e spiritualità marko i rupnik libro edb lampi ibs

The Enthralling World of E-book Books: A Thorough Guide Revealing the Benefits of Kindle Books: A World of Ease and Versatility E-book books, with their inherent portability and simplicity of access, have freed readers from the limitations of physical books. Gone are the days of carrying cumbersome novels or carefully searching for particular titles in shops. E-book devices, stylish and lightweight, seamlessly store an wide library of books, allowing readers to immerse in their favorite reads anytime, everywhere. Whether commuting on a bustling train, lounging on a sun-kissed beach, or just cozying up in bed, E-book books provide an exceptional level of ease. A Reading World Unfolded: Exploring the Vast Array of Kindle Canon D500 User Manual Canon D500 User Manual The Kindle Store, a digital treasure trove of literary gems, boasts an wide collection of books spanning diverse genres, catering to every readers preference and choice. From gripping fiction and mind-stimulating non-fiction to timeless classics and modern bestsellers, the Kindle Shop offers an unparalleled abundance of titles to explore. Whether seeking escape through immersive tales of imagination and exploration, diving into the depths of historical narratives, or expanding ones knowledge with insightful works of scientific and philosophy, the Kindle Store provides a gateway to a bookish world brimming with endless possibilities. A Transformative Factor in the Bookish Scene: The Lasting Impact of Kindle Books Canon D500 User Manual The advent of Kindle books has undoubtedly reshaped the bookish scene, introducing a paradigm shift in the way books are published, distributed, and consumed. Traditional publishing houses have embraced the online revolution, adapting their strategies to accommodate the growing demand for e-books. This has led to a surge in the accessibility of Kindle titles, ensuring that readers have entry to a wide array of bookish works at their fingertips. Moreover, E-book books have equalized entry to books, breaking down geographical limits and providing readers worldwide with similar opportunities to engage with the written word. Irrespective of their place or socioeconomic background, individuals can now engross themselves in the intriguing world of books, fostering a global community of readers. Conclusion: Embracing the Kindle Experience Canon D500 User Manual Kindle books Canon D500 User Manual, with their inherent ease, flexibility, and wide array of titles, have certainly transformed the way we experience literature. They offer readers the freedom to discover the limitless realm of written expression, whenever, everywhere. As we continue to travel the ever-evolving online scene, E-book books stand as testament to the lasting power of storytelling, ensuring that the joy of reading remains accessible to all.

[https://offsite.creighton.edu/files/virtual-library/Documents/john\\_deere\\_lawn\\_mower\\_wont\\_start.pdf](https://offsite.creighton.edu/files/virtual-library/Documents/john_deere_lawn_mower_wont_start.pdf)

[https://offsite.creighton.edu/files/virtual-library/Documents/john\\_t\\_reed\\_succeeding.pdf](https://offsite.creighton.edu/files/virtual-library/Documents/john_t_reed_succeeding.pdf)

[https://offsite.creighton.edu/files/virtual-library/Documents/johannes\\_vermeer\\_in\\_popular\\_culture.pdf](https://offsite.creighton.edu/files/virtual-library/Documents/johannes_vermeer_in_popular_culture.pdf)

## **Table of Contents Canon D500 User Manual**

1. Understanding the eBook Canon D500 User Manual
  - The Rise of Digital Reading Canon D500 User Manual
  - Advantages of eBooks Over Traditional Books
2. Identifying Canon D500 User Manual
  - Exploring Different Genres
  - Considering Fiction vs. Non-Fiction
  - Determining Your Reading Goals
3. Choosing the Right eBook Platform
  - Popular eBook Platforms
  - Features to Look for in an Canon D500 User Manual
  - User-Friendly Interface
4. Exploring eBook Recommendations from Canon D500 User Manual
  - Personalized Recommendations
  - Canon D500 User Manual User Reviews and Ratings
  - Canon D500 User Manual and Bestseller Lists
5. Accessing Canon D500 User Manual Free and Paid eBooks
  - Canon D500 User Manual Public Domain eBooks
  - Canon D500 User Manual eBook Subscription Services
  - Canon D500 User Manual Budget-Friendly Options
6. Navigating Canon D500 User Manual eBook Formats
  - ePub, PDF, MOBI, and More
  - Canon D500 User Manual Compatibility with Devices
  - Canon D500 User Manual Enhanced eBook Features
7. Enhancing Your Reading Experience

- Adjustable Fonts and Text Sizes of Canon D500 User Manual
- Highlighting and Note-Taking Canon D500 User Manual
- Interactive Elements Canon D500 User Manual
- 8. Staying Engaged with Canon D500 User Manual
  - Joining Online Reading Communities
  - Participating in Virtual Book Clubs
  - Following Authors and Publishers Canon D500 User Manual
- 9. Balancing eBooks and Physical Books Canon D500 User Manual
  - Benefits of a Digital Library
  - Creating a Diverse Reading Collection Canon D500 User Manual
- 10. Overcoming Reading Challenges
  - Dealing with Digital Eye Strain
  - Minimizing Distractions
  - Managing Screen Time
- 11. Cultivating a Reading Routine Canon D500 User Manual
  - Setting Reading Goals Canon D500 User Manual
  - Carving Out Dedicated Reading Time
- 12. Sourcing Reliable Information of Canon D500 User Manual
  - Fact-Checking eBook Content of Canon D500 User Manual
  - Distinguishing Credible Sources
- 13. Promoting Lifelong Learning
  - Utilizing eBooks for Skill Development
  - Exploring Educational eBooks
- 14. Embracing eBook Trends
  - Integration of Multimedia Elements
  - Interactive and Gamified eBooks

## **Canon D500 User Manual Introduction**

In this digital age, the convenience of accessing information at our fingertips has become a necessity. Whether its research papers, eBooks, or user manuals, PDF files have become the preferred format for sharing and reading documents. However,

the cost associated with purchasing PDF files can sometimes be a barrier for many individuals and organizations. Thankfully, there are numerous websites and platforms that allow users to download free PDF files legally. In this article, we will explore some of the best platforms to download free PDFs. One of the most popular platforms to download free PDF files is Project Gutenberg. This online library offers over 60,000 free eBooks that are in the public domain. From classic literature to historical documents, Project Gutenberg provides a wide range of PDF files that can be downloaded and enjoyed on various devices. The website is user-friendly and allows users to search for specific titles or browse through different categories. Another reliable platform for downloading Canon D500 User Manual free PDF files is Open Library. With its vast collection of over 1 million eBooks, Open Library has something for every reader. The website offers a seamless experience by providing options to borrow or download PDF files. Users simply need to create a free account to access this treasure trove of knowledge. Open Library also allows users to contribute by uploading and sharing their own PDF files, making it a collaborative platform for book enthusiasts. For those interested in academic resources, there are websites dedicated to providing free PDFs of research papers and scientific articles. One such website is Academia.edu, which allows researchers and scholars to share their work with a global audience. Users can download PDF files of research papers, theses, and dissertations covering a wide range of subjects. Academia.edu also provides a platform for discussions and networking within the academic community. When it comes to downloading Canon D500 User Manual free PDF files of magazines, brochures, and catalogs, Issuu is a popular choice. This digital publishing platform hosts a vast collection of publications from around the world. Users can search for specific titles or explore various categories and genres. Issuu offers a seamless reading experience with its user-friendly interface and allows users to download PDF files for offline reading. Apart from dedicated platforms, search engines also play a crucial role in finding free PDF files. Google, for instance, has an advanced search feature that allows users to filter results by file type. By specifying the file type as "PDF," users can find websites that offer free PDF downloads on a specific topic. While downloading Canon D500 User Manual free PDF files is convenient, it's important to note that copyright laws must be respected. Always ensure that the PDF files you download are legally available for free. Many authors and publishers voluntarily provide free PDF versions of their work, but it's essential to be cautious and verify the authenticity of the source before downloading Canon D500 User Manual. In conclusion, the internet offers numerous platforms and websites that allow users to download free PDF files legally. Whether it's classic literature, research papers, or magazines, there is something for everyone. The platforms mentioned in this article, such as Project Gutenberg, Open Library, Academia.edu, and Issuu, provide access to a vast collection of PDF files. However, users should always be cautious and verify the legality of the source before downloading Canon D500 User Manual any PDF files. With these platforms, the world of PDF downloads is just a click away.

---

## FAQs About Canon D500 User Manual Books

How do I know which eBook platform is the best for me? Finding the best eBook platform depends on your reading preferences and device compatibility. Research different platforms, read user reviews, and explore their features before making a choice. Are free eBooks of good quality? Yes, many reputable platforms offer high-quality free eBooks, including classics and public domain works. However, make sure to verify the source to ensure the eBook credibility. Can I read eBooks without an eReader? Absolutely! Most eBook platforms offer webbased readers or mobile apps that allow you to read eBooks on your computer, tablet, or smartphone. How do I avoid digital eye strain while reading eBooks? To prevent digital eye strain, take regular breaks, adjust the font size and background color, and ensure proper lighting while reading eBooks. What the advantage of interactive eBooks? Interactive eBooks incorporate multimedia elements, quizzes, and activities, enhancing the reader engagement and providing a more immersive learning experience. Canon D500 User Manual is one of the best book in our library for free trial. We provide copy of Canon D500 User Manual in digital format, so the resources that you find are reliable. There are also many Ebooks of related with Canon D500 User Manual. Where to download Canon D500 User Manual online for free? Are you looking for Canon D500 User Manual PDF? This is definitely going to save you time and cash in something you should think about. If you trying to find then search around for online. Without a doubt there are numerous these available and many of them have the freedom. However without doubt you receive whatever you purchase. An alternate way to get ideas is always to check another Canon D500 User Manual. This method for see exactly what may be included and adopt these ideas to your book. This site will almost certainly help you save time and effort, money and stress. If you are looking for free books then you really should consider finding to assist you try this. Several of Canon D500 User Manual are for sale to free while some are payable. If you arent sure if the books you would like to download works with for usage along with your computer, it is possible to download free trials. The free guides make it easy for someone to free access online library for download books to your device. You can get free download on free trial for lots of books categories. Our library is the biggest of these that have literally hundreds of thousands of different products categories represented. You will also see that there are specific sites catered to different product types or categories, brands or niches related with Canon D500 User Manual. So depending on what exactly you are searching, you will be able to choose e books to suit your own need. Need to access completely for Campbell Biology Seventh Edition book? Access Ebook without any digging. And by having access to our ebook online or by storing it on your computer, you have convenient answers with Canon D500 User Manual To get started finding Canon D500 User Manual, you are right to find our website which has a comprehensive collection of books online. Our library is the biggest of these that have literally hundreds of thousands of different products represented. You will also see that there are specific sites catered to different categories or niches related with Canon D500 User Manual So depending on what exactly you are searching, you will be able to choose ebook to suit your

own need. Thank you for reading Canon D500 User Manual. Maybe you have knowledge that, people have search numerous times for their favorite readings like this Canon D500 User Manual, but end up in harmful downloads. Rather than reading a good book with a cup of coffee in the afternoon, instead they juggled with some harmful bugs inside their laptop. Canon D500 User Manual is available in our book collection an online access to it is set as public so you can download it instantly. Our digital library spans in multiple locations, allowing you to get the most less latency time to download any of our books like this one. Merely said, Canon D500 User Manual is universally compatible with any devices to read.

### **Find Canon D500 User Manual :**

~~john deere lawn mower won't start~~

**john t reed succeeding**

johannes vermeer in popular culture

~~joint publication 1-02~~

john cusack sure thing

~~kalashnikov ak 74~~

jeffrey dahmer mindhunter

**kafka on the shore cat**

kailey welch accident

**juanita bynum and td jakes**

jokes funny letters to santa from adults

jeremi suri parents

*john colter descendants*

**john robert greene**

~~joe johnson workout routine~~

### **Canon D500 User Manual :**